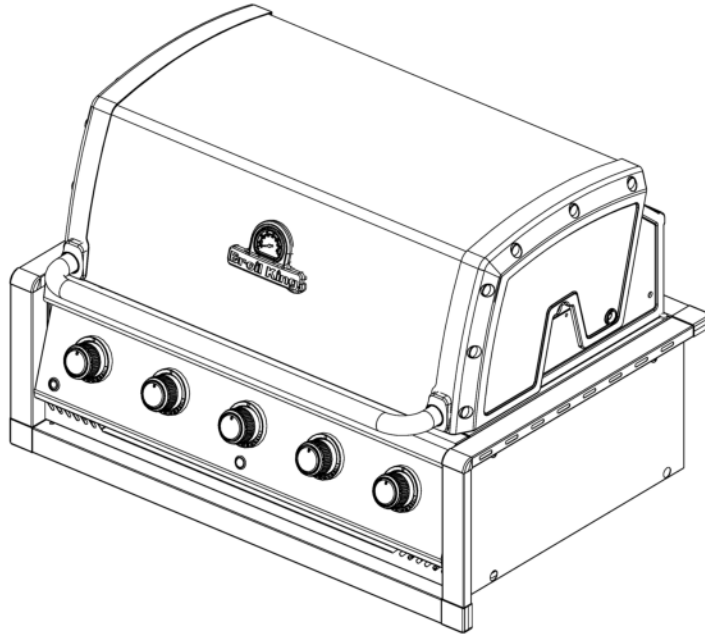
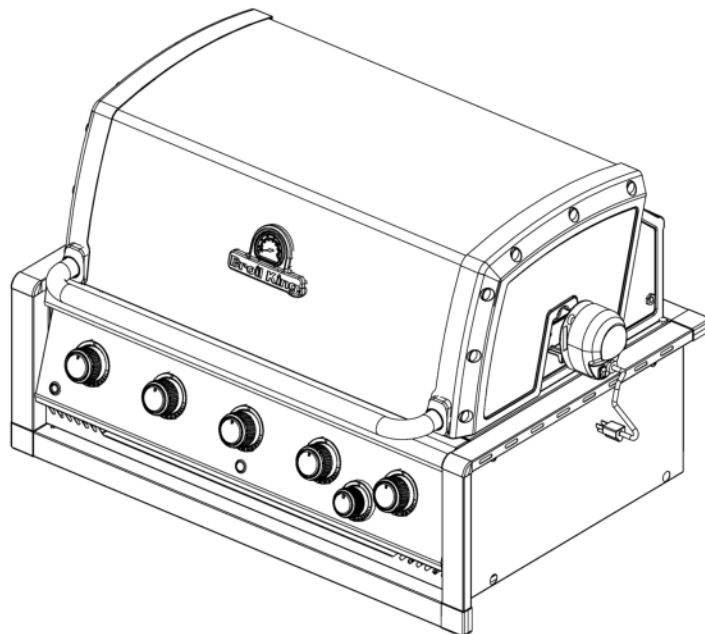


Broil King®

Broil King
REGAL 520
8866-52
8866-53
8866-53IL
8866-56



Broil King
REGAL 570
8866-72
8866-73
8866-73IL
8866-76



Onward
MANUFACTURING COMPANY
SINCE 1906
585 KUMPF DRIVE LIMITED
WATERLOO, ONTARIO, CANADA
N2V 1K3

70084-E72EU REV E 05/22

PARTS LIST

KEY #	ITEM #	DESCRIPTION	8866-52	8866-53	8866-53IL	8866-56	8866-72	8866-73	8866-73IL	8866-76
1	77006-003	FIRE BOX ASSEMBLY	1	1	1	1	1	1	1	1
2	86006-301	LID ASSEMBLY	1	1	1	1	1	1	1	1
5	27249-904	GREASE SHIELD	5	5	5	5	5	5	5	5
7	Y-11544S	BURNER SCREW	5	5	5	5	5	5	5	5
8	S21242	BURNER CLIP	5	5	5	5	5	5	5	5
18	22005-281	COOKING GRID	5	5	5	5	5	5	5	5
20	22006-992	GRID - WARMING RACK	1	1	1	1	1	1	1	1
22	22026-903	COLLECTOR BOX	1	1	1	1	1	1	1	1
25	22909-104D	BURNER	5	.	.	.	5	.	.	.
	22909-104E	BURNER	.	5	5	.	.	5	5	.
	22909-104NGE	BURNER	.	.	.	5	.	.	.	5
26	22001-769	CONTROL KNOB	5	5	5	5	5	5	5	5
26A	22001-669	CONTROL KNOB	1	1	1	1
27	22002-264	CONTROL BEZEL	5	5	5	5	5	5	5	5
27A	22001-164	CONTROL BEZEL	1	1	1	1
28	22006-813	CONTROL COVER	1	1	.	1
	22006-853	CONTROL COVER	1	1	.	1
	22086-813IL	CONTROL COVER	.	.	1
	22086-853IL	CONTROL COVER	1	.
32	10111-16A	PIG TAIL HOSE ASSEMBLY	1	1	1	1	1	1	1	1
35	29006-012	CONTROL ASSEMBLY	1
	29006-013	CONTROL ASSEMBLY	.	1	1
	29006-016	CONTROL ASSEMBLY	.	.	.	1
	29006-052	CONTROL ASSEMBLY	1	.	.	.
	29006-053	CONTROL ASSEMBLY	1	1	.
	29006-056	CONTROL ASSEMBLY	1
37	20809-957	TUBE-REAR BURNER ASSY	1	1	1	1
38	Y-11990	HEX NUT	1	1	1	1
40	10153-45	NG HOSE ADAPTER	.	.	.	1	.	.	.	1
41	71039-903	BATTERY BRACKET	1	1	1	1	1	1	1	1
43	10342-E13	ELECTRODE	1	1	1	1	1	1	1	1
43A	10342-E22	ELECTRODE	1	1	1	1	1	1	1	1
43B	10342-E38	ELECTRODE	1	1	1	1	1	1	1	1
44	10342-43	ELECTRONIC IGNITOR	1	1	1	1
	10342-44	ELECTRONIC IGNITOR	1	1	1	1
44A	25070-925	IGNITOR WIRE	1	1	1	1	1	1	1	1
44B	25070-93	IGNITOR BUTTON	1	1	1	1	1	1	1	1
45	72039-903	IGNITOR BRACKET	1	1	1	1	1	1	1	1
46	72049-603	IGNITOR SHIELD	1	1	1	1	1	1	1	1
47	71209-033	TRIM FRONT SIDE	2	2	2	2	2	2	2	2
48	71056-004	GREASE PAN	1	1	1	1	1	1	1	1
49	71066-003RA	DRAWER	1	1	1	1	1	1	1	1
51	22009-103	FLAV-R-WAVE ®	5	5	5	5	5	5	5	5
56	24006-12A	HANDLE	1	1	1	1	1	1	1	1
58	54009-936	HANDLE STANDOFF	2	2	2	2	2	2	2	2
59	10081-BK630	NAMEPLATE	1	1	1	1	1	1	1	1
60	10571-6	HEAT INDICATOR	1	1	1	1	1	1	1	1
65	25005-000	MATCH LIGHT	1	1	1	1	1	1	1	1
74	Y-99101	DRAWER SLIDE	2	2	2	2	2	2	2	2
80	71109-033R	TRIM SIDE - LH	1	1	1	1	1	1	1	1
81	71109-043R	TRIM SIDE - RH	1	1	1	1	1	1	1	1
84	70206-013	TRIM FRONT	1	1	1	1	1	1	1	1
88	71306-023	TRIM REAR	1	1	1	1	1	1	1	1
90	71626-003	BASE	1	1	1	1	1	1	1	1
101	Y-12130	CORNER CAP - 90 DEGREE	4	4	4	4	4	4	4	4
102	Y-12131	CORNER CAP	2	2	2	2	2	2	2	2
130	27906-354	REAR BURNER	1	1	1	1
131	10693-099	REAR BURNER ORIFICE	1	.	.	.
	10693-102	REAR BURNER ORIFICE	1	1	.
	10693-155	REAR BURNER ORIFICE	1
133	S15271	HANDLE	1	1	1	1
134	S15270	BALANCER	1	1	1	1

