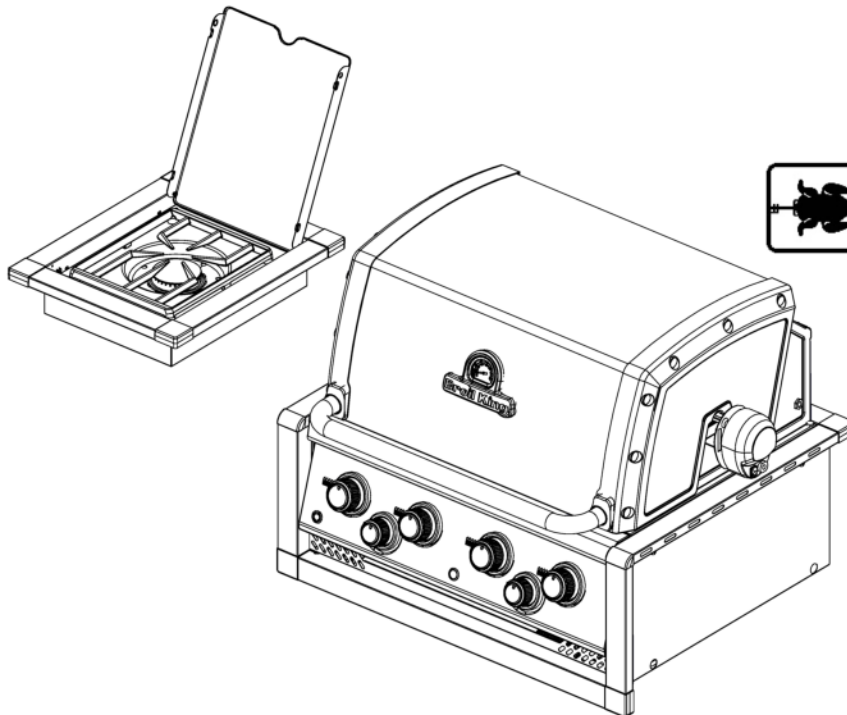
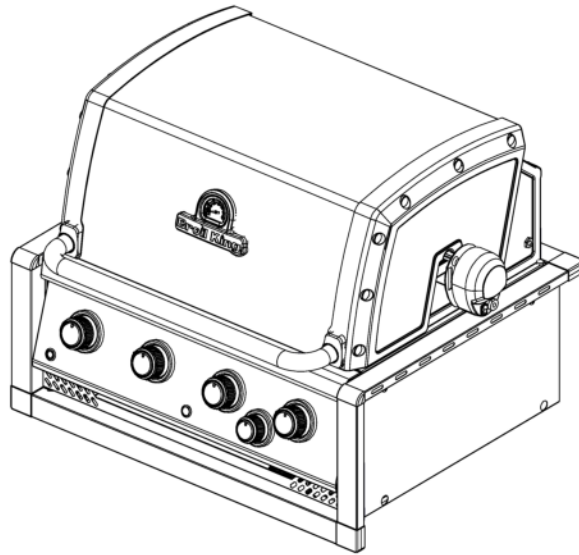


Broil King®

Broil King
IMPERIAL S 470
9960-72
9960-73
9960-76



Broil King
IMPERIAL S 490
9960-82
9960-83
9960-86

Onward
SINCE 1906
MANUFACTURING COMPANY
585 KUMPF DRIVE LIMITED
WATERLOO, ONTARIO, CANADA
N2V 1K3

PARTS LIST

KEY #	ITEM #	DESCRIPTION	<u>9960-72DE</u>	<u>9960-73CH</u>	<u>9960-76CH</u>	<u>9960-82DE</u>	<u>9960-83CH</u>	<u>9960-86CH</u>
			<u>9960-73EU</u>	<u>9960-76DE</u>		<u>9960-83EU</u>	<u>9960-86DE</u>	
			<u>9960-73UK</u>	<u>9960-76EU</u>			<u>9960-83UK</u>	<u>9960-86EU</u>
				<u>9960-76UK</u>				<u>9960-86UK</u>
1	77005-703	FIRE BOX ASSEMBLY	1	1	1	1	1	1
2	86005-303	LID ASSEMBLY	1	1	1	1	1	1
5	27249-904	GREASE SHIELD	4	4	4	4	4	4
7	Y-11544S	BURNER SCREW	4	4	4	4	4	4
8	S21242	BURNER CLIP	4	4	4	4	4	4
18	22005-283	COOKING GRID	4	4	4	4	4	4
20	22005-992	GRID - WARMING RACK	1	1	1	1	1	1
22	22025-903	COLLECTOR BOX	1	1	1	1	1	1
25	22909-104D	BURNER	4	•	•	4	•	•
	22909-104E	BURNER	•	4	•	•	4	•
	22909-104NGE	BURNER	•	•	4	•	•	4
26	22001-769	CONTROL KNOB	4	4	4	4	4	4
26A	22001-669	CONTROL KNOB	1	1	1	2	2	2
27	22002-264	CONTROL BEZEL	4	4	4	4	4	4
27A	22001-164	CONTROL BEZEL	1	1	1	2	2	2
28	22025-473	CONTROL COVER	1	1	1	•	•	•
	22025-493	CONTROL COVER	•	•	•	1	1	1
32	10111-16A	PIG TAIL HOSE ASSEMBLY	2	2	2	2	2	2
34	S13475A-073	HOSE-SIDE BURNER	•	•	•	1	•	•
	S13475A-079	HOSE-SIDE BURNER	•	•	•	•	1	•
	S13475A-109	HOSE-SIDE BURNER	•	•	•	•	•	1
34A	Y-11230	COTTER PIN	•	•	•	1	1	1
35	79005-052	CONTROL ASSEMBLY	1	•	•	•	•	•
	79005-053	CONTROL ASSEMBLY	•	1	•	•	•	•
	79005-056	CONTROL ASSEMBLY	•	•	1	•	•	•
	79005-072	CONTROL ASSEMBLY	•	•	•	1	•	•
	79005-075	CONTROL ASSEMBLY	•	•	•	•	1	•
	79005-076	CONTROL ASSEMBLY	•	•	•	•	•	1
36	70342-20	ELECTRODE – SIDE BURNER	•	•	•	1	1	1
36A	70342-63	ELECTRODE – SIDE BURNER	•	•	•	1	1	1
37	20809-957	TUBE-REAR BURNER ASSY	1	1	1	1	1	1
38	Y-11990	HEX NUT	1	1	1	1	1	1
43	10342-E38	ELECTRODE	1	1	1	1	1	1
43A	10342-E22	ELECTRODE	1	1	1	1	1	1
44	10342-43	ELECTRONIC IGNITOR	1	1	1	•	•	•
	10342-44	ELECTRONIC IGNITOR	•	•	•	1	1	1
44A	25070-925	IGNITOR WIRE	1	1	1	1	1	1
44B	25070-93	IGNITOR BUTTON	1	1	1	1	1	1
45	72039-903	IGNITOR BRACKET	1	1	1	1	1	1
46	72049-603	IGNITOR SHIELD	1	1	1	1	1	1
47	71209-033	TRIM FRONT SIDE	2	2	2	2	2	2
48	72055-007	GREASE PAN	1	1	1	1	1	1
49	71065-003R	DRAWER	1	1	1	1	1	1
51	22009-103	FLAV-R-WAVE®	4	4	4	4	4	4
52	73170-013	TRIM SIDE - SIDE BURNER	•	•	•	2	2	2
53	73170-023	TRIM FRONT - SIDE BURNER	•	•	•	2	2	2
56	24005-12A	HANDLE	1	1	1	1	1	1
58	54009-936	HANDLE BEZEL	2	2	2	2	2	2
59	10081-BK630	NAMEPLATE	1	1	1	1	1	1
60	10571-6	HEAT INDICATOR	1	1	1	1	1	1
65	20005-000	MATCH LIGHT - STICK	1	1	1	1	1	1
74	Y-99101	DRAWER SLIDE	2	2	2	2	2	2
80	71109-033R	TRIM SIDE - LH	1	1	1	1	1	1
81	71109-043R	TRIM SIDE - RH	1	1	1	1	1	1
84	70205-013	TRIM FRONT	1	1	1	1	1	1
88	71305-023	TRIM REAR	1	1	1	1	1	1
90	71625-003	BASE	1	1	1	1	1	1
101	Y-12130	CORNER CAP - 90 DEGREE	4	4	4	8	8	8
102	Y-12131	CORNER CAP	2	2	2	2	2	2

PARTS LIST

KEY #	ITEM #	DESCRIPTION	9960-72DE	9960-73CH	9960-76CH	9960-82DE	9960-83CH	9960-86CH
				9960-73EU	9960-76DE		9960-83EU	9960-86DE
				9960-73UK	9960-76EU		9960-83UK	9960-86EU
					9960-76UK			9960-86UK
115	73109-051	SIDE BURNER BASE	•	•	•	1	1	1
123	73009-353	COVER-SIDE BURNER	•	•	•	1	1	1
124	23000-271	SHELF-SIDE BURNER	•	•	•	1	1	1
125	23000-253	SIDE BURNER LID	•	•	•	1	1	1
126	10390-R81A	SIDE BURNER	•	•	•	•	1	1
	10390-R81D	SIDE BURNER	•	•	•	1	•	•
128	23009-99	GRID	•	•	•	1	1	1
130	27905-354	REAR BURNER	1	1	1	1	1	1
131	10693-095	REAR BURNER-ORIFICE	1	•	•	1	•	•
	10693-099	REAR BURNER-ORIFICE	•	1	•	•	1	•
	10693-161	REAR BURNER-ORIFICE	•	•	1	•	•	1
133	S15271	HANDLE	1	1	1	1	1	1
134	S15270	BALANCER	1	1	1	1	1	1
135	S15299	WASHER	1	1	1	1	1	1
136	S15263	BUSHING	1	1	1	1	1	1
137	S15256	SPIT ROD	1	1	1	1	1	1
138	S15287	4 PRONG FORKS	2	2	2	2	2	2
139	57039-901	ROTISSERIE BRACKET	1	1	1	1	1	1
141	Y-11559	SCREW - 1/4-20 X 1	2	2	2	2	2	2
142	S21127S	SCREW - #8-32 X 7/16	10	10	10	12	12	12
145	S21235	HINGE PIN	2	2	2	2	2	2
146	S21233	HITCH PIN CLIP	2	2	2	2	2	2
147	Y-11236	LID BUMPER	2	2	2	2	2	2
147A	SP11-25	LID BUMPER	2	2	2	2	2	2
155	S21124	SCREW - #8-32 x 1/2	4	4	4	4	4	4
156	Y-12871	SCREW - M4 X 0.7	•	•	•	2	2	2
157	Y-12835	SCREW - #6-32 X 1/4	2	2	2	2	2	2
158	Y-12646	SCREW - SHOULDER #8 X 1/2	•	•	•	2	2	2
161	Y-29304	SCREW - #10-24 X 3/8	14	14	14	22	22	22
162	S35095	SCREW - #10-24 X 5/8	2	2	2	2	2	2
167	Y-29301	SCREW - #10-24 X 1/2	12	12	12	20	20	20
169	S21061	WING NUT	2	2	2	2	2	2
171	S15245 (CH)	MOTOR	•	1/0/0	1/0/0/0	•	1/0/0	1/0/0/0
	S15246 (EU)	MOTOR	1	0/1/0	0/1/1/0	1	0/1/0	0/1/1/0
	S15244 (UK)	MOTOR	•	0/0/1	0/0/0/1	•	0/0/1	0/0/0/1
172	S15508	ELECTRODE - REAR BURNER	1	1	1	1	1	1
173	S21362	SPRING	1	1	1	1	1	1
181	25070-91	LIGHT SWITCH WIRE	1	1	1	1	1	1
181A	25070-95	LIGHT SWITCH BUTTON	1	1	1	1	1	1
182	25020-71	OVEN LIGHT	2	2	2	2	2	2
183	20589-CH	TRANSFORMER PLUG	•	1/0/0	1/0/0/0	•	1/0/0	1/0/0/0
	20589-EU	TRANSFORMER PLUG	1	0/1/0	0/1/1/0	1	0/1/0	0/1/1/0
	20589-UK	TRANSFORMER PLUG	•	0/0/1	0/0/0/1	•	0/0/1	0/0/0/1
184	20589-90U	TRANSFORMER	1	1	1	1	1	1
185	25030-72	WIRE - OVEN LIGHT	1	1	1	1	1	1
188	Y-12865	SCREW 1/4-20 X 1/2	16	16	16	16	16	16
190	25020-82	WIRE - LED LIGHT	1	1	1	1	1	1
191	25020-83	WIRE - LED LIGHT	1	1	1	•	•	•
	25020-84	WIRE - LED LIGHT	•	•	•	1	1	1

