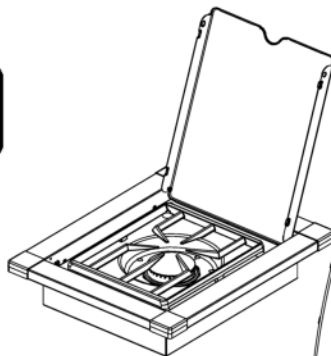
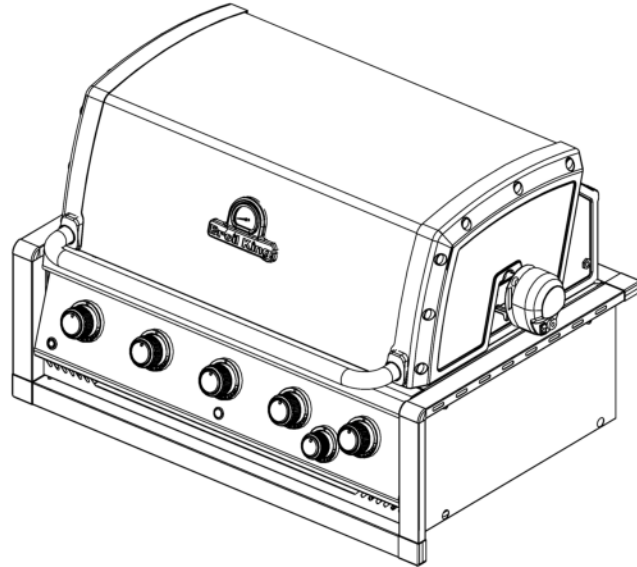
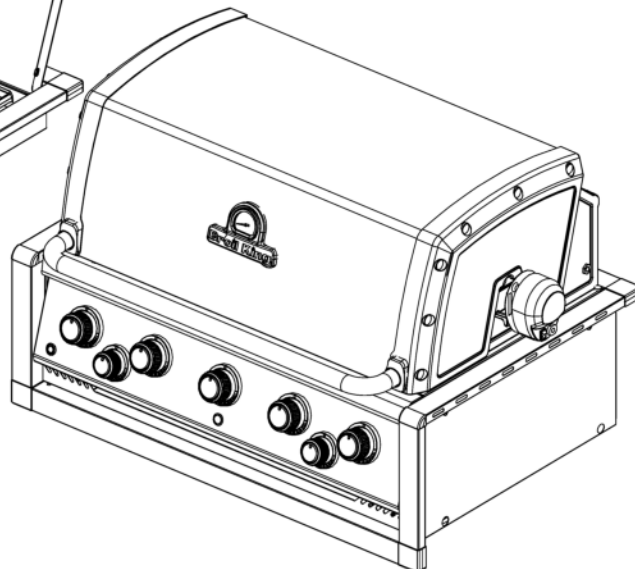


Broil King®

Broil King
IMPERIAL S 570
9980-72
9980-73
9980-76



Broil King
IMPERIAL S 590
9980-82
9980-83
9980-86



PARTS LIST

<u>KEY #</u>	<u>ITEM #</u>	<u>DESCRIPTION</u>	<u>9980-72DE</u>	<u>9980-73CH</u>	<u>9980-76CH</u>	<u>9980-82DE</u>	<u>9980-83CH</u>	<u>9980-86CH</u>
			<u>9980-73EU</u>	<u>9980-76DE</u>	<u>9980-83EU</u>	<u>9980-86DE</u>	<u>9980-73UK</u>	<u>9980-76EU</u>
					<u>9980-76UK</u>			<u>9980-86UK</u>
1	77006-703	FIRE BOX ASSEMBLY	1	1	1	1	1	1
2	86006-303	LID ASSEMBLY - S.S	1	1	1	1	1	1
5	27249-904	GREASE SHIELD	5	5	5	5	5	5
7	Y-11544	BURNER SCREW	5	5	5	5	5	5
8	S21242	BURNER CLIP	5	5	5	5	5	5
18	22005-283	CAST STAINLESS STEEL GRID	5	5	5	5	5	5
20	22006-992	GRID - WARMING RACK	1	1	1	1	1	1
22	22026-904	COLLECTOR BOX	1	1	1	1	1	1
25	22909-104D	BURNER	5	•	•	5	•	•
	22909-104E	BURNER	•	5	•	•	5	•
	22909-104NGE	BURNER	•	•	5	•	•	5
26	22001-769	CONTROL KNOB	5	5	5	5	5	5
26A	22001-669	CONTROL KNOB	1	1	1	2	2	2
27	22002-264	CONTROL BEZEL	5	5	5	5	5	5
27A	22001-164	CONTROL BEZEL	1	1	1	2	2	2
28	22026-473	CONTROL COVER	1	1	1	•	•	•
	22026-493	CONTROL COVER	•	•	•	1	1	1
32	10111-15A	PIG TAIL HOSE ASSEMBLY	2	2	2	2	2	2
34	S13475-073	HOSE-SIDE BURNER	•	•	•	1	•	•
	S13475-079	HOSE-SIDE BURNER	•	•	•	•	1	•
	S13475-109	HOSE-SIDE BURNER	•	•	•	•	•	1
34A	Y-11230	COTTER PIN	•	•	•	1	1	1
35	29006-052	CONTROL ASSEMBLY	1	•	•	•	•	•
	29006-053	CONTROL ASSEMBLY	•	1	•	•	•	•
	29006-056	CONTROL ASSEMBLY	•	•	1	•	•	•
	79006-072	CONTROL ASSEMBLY	•	•	•	1	•	•
	79006-075	CONTROL ASSEMBLY	•	•	•	•	1	•
	79006-076	CONTROL ASSEMBLY	•	•	•	•	•	1
36	70342-20	ELECTRODE – SIDE BURNER	•	•	•	1	1	1
36A	70342-63	ELECTRODE – SIDE BURNER	•	•	•	1	1	1
37	20809-957	TUBE-REAR BURNER ASSY	1	1	1	1	1	1
38	Y-11990	HEX NUT	1	1	1	1	1	1
40	10153-45	NG HOSE ADAPTER	•	•	1	•	•	1
43	10342-E13	ELECTRODE	1	1	1	1	1	1
43A	10342-E22	ELECTRODE	1	1	1	1	1	1
43B	10342-E38	ELECTRODE	1	1	1	1	1	1
44	10342-44	ELECTRONIC IGNITOR	1	1	1	•	•	•
	10342-45	ELECTRONIC IGNITOR	•	•	•	1	1	1
44A	25070-927	IGNITOR WIRE	1	1	1	1	1	1
44B	25070-93	IGNITOR BUTTON	1	1	1	1	1	1
45	72039-903	IGNITOR BRACKET	1	1	1	1	1	1
46	72049-603	IGNITOR SHIELD	1	1	1	1	1	1
47	71209-033	TRIM FRONT SIDE	2	2	2	2	2	2
48	72056-007	GREASE PAN	1	1	1	1	1	1
49	71066-003R	DRAWER	1	1	1	1	1	1
51	22009-103	FLAV-R-WAVE ®	5	5	5	5	5	5
52	73170-013	TRIM SIDE - SIDE BURNER	•	•	•	2	2	2
53	73170-023	TRIM FRONT - SIDE BURNER	•	•	•	2	2	2
56	24006-12A	HANDLE	1	1	1	1	1	1
58	54009-936	HANDLE BEZEL	2	2	2	2	2	2
59	10081-BK630	NAMEPLATE	1	1	1	1	1	1
60	10571-6	HEAT INDICATOR	1	1	1	1	1	1
65	20005-000	MATCH LIGHT CHAIN	1	1	1	1	1	1
74	Y-99100	DRAWER SLIDE	2	2	2	2	2	2
80	71109-033R	TRIM SIDE - LH	1	1	1	1	1	1

PARTS LIST

<u>KEY #</u>	<u>ITEM #</u>	<u>DESCRIPTION</u>	<u>9980-72DE</u>	<u>9980-73CH</u>	<u>9980-76CH</u>	<u>9980-82DE</u>	<u>9980-83CH</u>	<u>9980-86CH</u>
			<u>9980-73EU</u>	<u>9980-76DE</u>	<u>9980-83EU</u>	<u>9980-86DE</u>	<u>9980-73UK</u>	<u>9980-76EU</u>
					<u>9980-76UK</u>		<u>9980-86UK</u>	
81	71109-043R	TRIM SIDE - RH	1	1	1	1	1	1
84	70206-013	TRIM FRONT	1	1	1	1	1	1
88	71306-023	TRIM REAR	1	1	1	1	1	1
90	71626-003	BASE	1	1	1	1	1	1
101	Y-12130	CORNER CAP - 90 DEGREE	8	8	8	8	8	8
102	Y-12131	CORNER CAP	2	2	2	2	2	2
115	73109-051	SIDE BURNER BASE	•	•	•	1	1	1
123	73009-353	SIDE BURNER COVER	•	•	•	1	1	1
124	23000-271	SHELF-SIDE BURNER	•	•	•	1	1	1
125	23000-253	SIDE BURMER LID	•	•	•	1	1	1
126	10390-R81A	SIDE BURNER	•	•	•	•	1	1
	10390-R81D	SIDE BURNER	•	•	•	1	•	•
128	23009-99	GRID	•	•	•	1	1	1
130	27906-354	BURNER ROTISSERIE	1	1	1	1	1	1
131	10693-099	REAR BURNER-ORIFICE	1	•	•	1	•	•
	10693-102	REAR BURNER-ORIFICE	•	1	•	•	1	•
	10693-155	REAR BURNER-ORIFICE	•	•	1	•	•	1
133	S15271	HANDLE	1	1	1	1	1	1
134	S15270	BALANCER	1	1	1	1	1	1
135	S15299	WASHER	1	1	1	1	1	1
136	S15263	BUSHING	1	1	1	1	1	1
137	S15259	SPIT ROD	1	1	1	1	1	1
138	S15287	4 PRONG FORKS	2	2	2	2	2	2
139	57039-901	ROTISSERIE BRACKET	1	1	1	1	1	1
141	Y-11559	SCREW - 1/4-20 X 3/4	2	2	2	2	2	2
142	S21127S	SCREW - #8-32 X 3/8	12	12	12	14	14	14
145	S21235	HINGE PIN	2	2	2	2	2	2
146	S21233	HITCH PIN CLIP	2	2	2	2	2	2
147	Y-11236	LID BUMPER	2	2	2	2	2	2
155	S21124	SCREW - #8-32 X 1/2	4	4	4	4	4	4
156	Y-12871	SCREW - M4 X 0.7	•	•	•	2	2	2
157	Y-12835	SCREW - #6-32 X 1/4	2	2	2	2	2	2
158	Y-12646	SCREW - SHOULDER #8 X 1/2	•	•	•	2	2	2
161	Y-29304	SCREW - #10-24 X 3/8	21	21	21	21	21	21
162	S35095	SCREW - #10-24 X 5/8	2	2	2	2	2	2
167	Y-29301	SCREW - #10-24 X 1/2	20	20	20	20	20	20
169	S21061	WING NUT	2	2	2	2	2	2
171	S15244 (UK)	MOTOR	•	0/0/1	0/0/0/1	•	0/0/1	0/0/0/1
	S15245 (CH)	MOTOR	•	1/0/0	1/0/0/0	•	1/0/0	1/0/0/0
	S15246 (EU)	MOTOR	1	0/1/0	0/1/1/0	1	0/1/0	0/1/1/0
172	S15508	ELECTRODE - REAR BURNER	1	1	1	1	1	1
173	S21362	SPRING	1	1	1	1	1	1
181	25070-91	LIGHT SWITCH WIRE	1	1	1	1	1	1
181A	25070-95	LIGHT SWITCH BUTTON	1	1	1	1	1	1
182	25020-71	OVEN LIGHT	2	2	2	2	2	2
183	20589-CH	TRANSFORMER PLUG	•	1/0/0	1/0/0	•	1/0/0	1/0/0/0
	20589-EU	TRANSFORMER PLUG	1	0/1/0	0/1/0	1	0/1/0	0/1/1/0
	20589-UK	TRANSFORMER PLUG	•	0/0/1	0/0/1	•	0/0/1	0/0/0/1
184	20589-90U	TRANSFORMER	1	1	1	1	1	1
185	25030-72	WIRE - OVEN LIGHT	1	1	1	1	1	1
186	Y-12865	BOLT 1/4-20 X 1/2	16	16	16	16	16	16
190	25020-84	WIRE - LED LIGHT	1	1	1	1	1	1
191	25020-82	WIRE - LED LIGHT	1	1	1	•	•	•
	25020-83	WIRE - LED LIGHT	•	•	•	1	1	1
193	SP11-25	LID BUMPER	2	2	2	2	2	2

