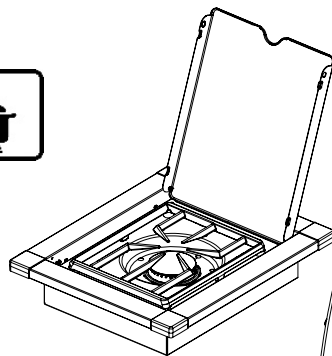
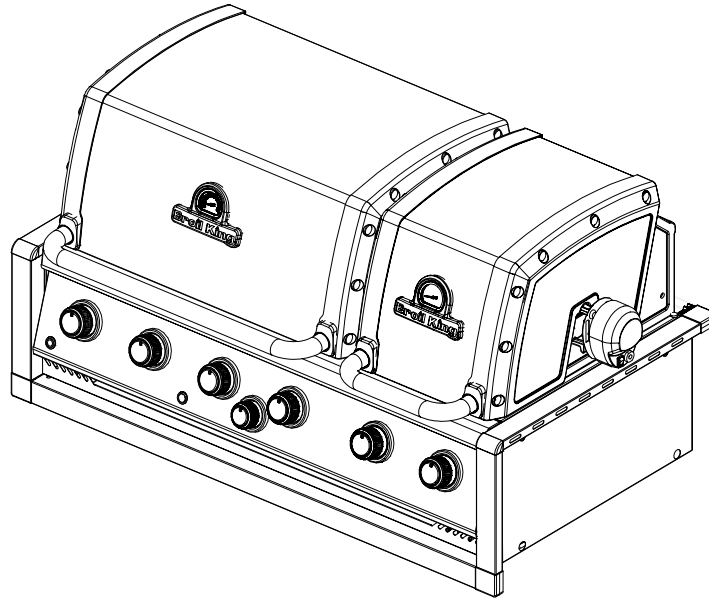
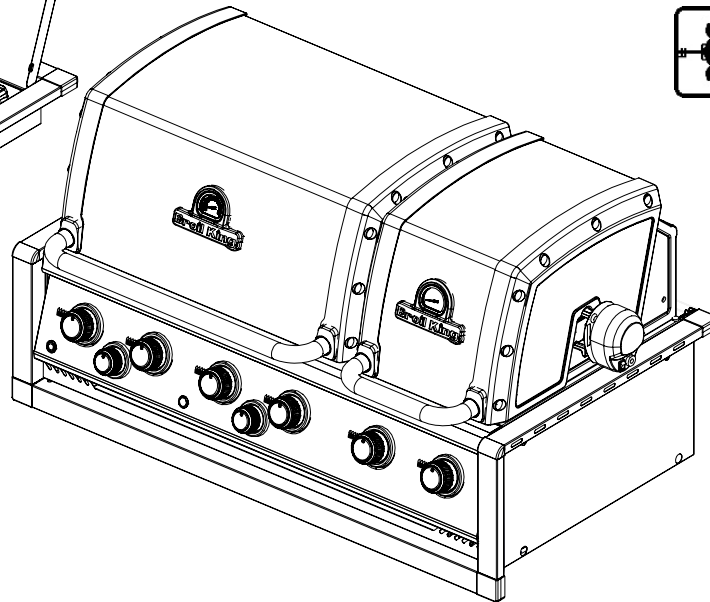


# Broil King®

**Broil King.**  
IMPERIAL S 670  
9970-72  
9970-73  
9970-76



**Broil King.**  
IMPERIAL S 690  
9970-82  
9970-83  
9970-86



**PARTS LIST**

KEY #	ITEM #	DESCRIPTION	9970-72DE	9970-73CH	9970-76CH	9970-82DE	9970-83CH	9970-86CH
			9970-73EU	9970-76DE	9970-73UK	9970-76EU	9970-83EU	9970-86DE
					9970-76UK		9970-83UK	9970-86EU
								9970-86UK
1	77008-703	FIRE BOX ASSEMBLY	1	1	1	1	1	1
1A	77003-703	FIRE BOX ASSEMBLY	1	1	1	1	1	1
2	86005-303	LID ASSEMBLY - S.S	1	1	1	1	1	1
2A	86003-303	LID ASSEMBLY - S.S	1	1	1	1	1	1
5	27249-904	GREASE SHIELD	6	6	6	6	6	6
7	Y-11544	BURNER SCREW	6	6	6	6	6	6
8	S21242	BURNER CLIP	6	6	6	6	6	6
18	22005-283	CAST STAINLESS STEEL GRID	6	6	6	6	6	6
20	22005-992	GRID - WARMING RACK	1	1	1	1	1	1
20A	22003-992	GRID - WARMING RACK	1	1	1	1	1	1
22	22025-903	COLLECTOR BOX	1	1	1	1	1	1
22A	22223-014A	COLLECTOR BOX	1	1	1	1	1	1
25	22909-104D	BURNER	6	•	•	6	•	•
	22909-104E	BURNER	•	6	•	•	6	•
	22909-104NGE	BURNER	•	•	6	•	•	6
26	22001-769	CONTROL KNOB	6	6	6	6	6	6
26A	22001-669	CONTROL KNOB	1	1	1	2	2	2
27	22002-264	CONTROL BEZEL	6	6	6	6	6	6
27A	22001-164	CONTROL BEZEL	1	1	1	2	2	2
28	27028-473	CONTROL COVER	1	1	1	•	•	•
	27028-493	CONTROL COVER	•	•	•	1	1	1
32	10111-16A	PIG TAIL HOSE ASSEMBLY	2	2	2	2	2	2
34	S13475-073	HOSE-SIDE BURNER	•	•	•	1	•	•
	S13475-079	HOSE-SIDE BURNER	•	•	•	•	1	•
	S13475-109	HOSE-SIDE BURNER	•	•	•	•	•	1
34A	Y-11230	COTTER PIN	•	•	•	1	1	1
35	79018-052	CONTROL ASSEMBLY	1	•	•	•	•	•
	79018-053	CONTROL ASSEMBLY	•	1	•	•	•	•
	79018-056	CONTROL ASSEMBLY	•	•	1	•	•	•
	79018-072	CONTROL ASSEMBLY	•	•	•	1	•	•
	79018-075	CONTROL ASSEMBLY	•	•	•	•	1	•
	79018-076	CONTROL ASSEMBLY	•	•	•	•	•	1
36	70342-20	ELECTRODE – SIDE BURNER	•	•	•	1	1	1
36A	70342-63	ELECTRODE – SIDE BURNER	•	•	•	1	1	1
37	20809-957	TUBE-REAR BURNER ASSY	1	1	1	1	1	1
38	Y-11990	HEX NUT	1	1	1	1	1	1
39	S15508	ELECTRODE - REAR BURNER	1	1	1	1	1	1
40	10153-45	NG HOSE ADAPTER	•	•	1	•	•	1
43	10342-E38	ELECTRODE	1	1	1	1	1	1
43A	10342-E22	ELECTRODE	1	1	1	1	1	1
43B	10342-E13	ELECTRODE	1	1	1	1	1	1
44	10342-44	ELECTRONIC IGNITOR	1	1	1	•	•	•
	10342-45	ELECTRONIC IGNITOR	•	•	•	1	1	1
44A	25070-927	IGNITOR WIRE	1	1	1	1	1	1
44B	25070-93	IGNITOR BUTTON	1	1	1	1	1	1
45	72039-903	IGNITOR BRACKET	1	1	1	1	1	1
46	72049-603	IGNITOR SHIELD	1	1	1	1	1	1
47	71209-033	TRIM FRONT SIDE	2	2	2	2	2	2
48	72053-007	GREASE PAN	1	1	1	1	1	1
48A	72055-007	GREASE PAN	1	1	1	1	1	1
49	71068-003R	DRAWER	1	1	1	1	1	1
51	22209-904	FLAV-R-WAVE ®	6	6	6	6	6	6
52	73170-013	TRIM SIDE - SIDE BURNER	•	•	•	2	2	2
53	73170-023	TRIM FRONT - SIDE BURNER	•	•	•	2	2	2
56	24005-12A	HANDLE	1	1	1	1	1	1
56A	24003-12A	HANDLE	1	1	1	1	1	1
58	54009-936	HANDLE BEZEL	4	4	4	4	4	4
59	10081-BK630	NAMEPLATE	2	2	2	2	2	2
60	10571-6	HEAT INDICATOR	2	2	2	2	2	2





