

Broil King®



9812-52
9812-53
9812-56



9812-62
9812-63
9812-66

Onward
MANUFACTURING COMPANY

SINCE 1906

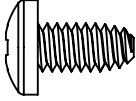

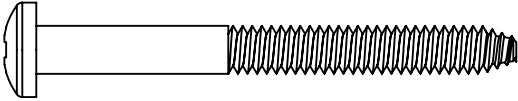
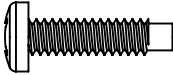
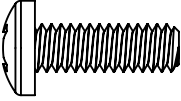
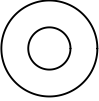
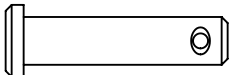
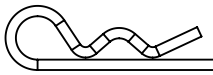
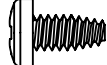
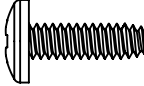
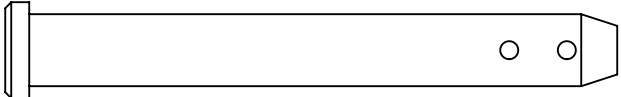

1000 EAST MARKET STREET
HUNTINGTON, INDIANA, 46750, USA

50084-C35EU Rev B 01/17



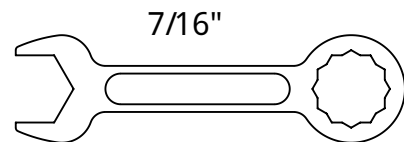
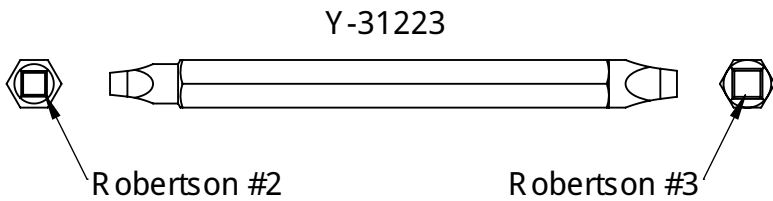
HARDWARE INCLUDED



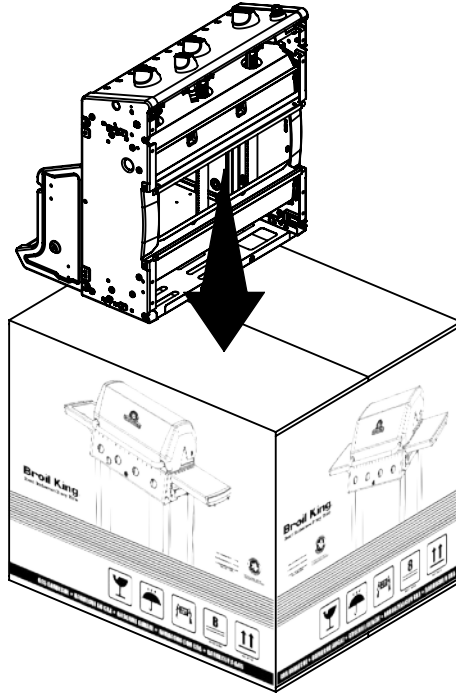
Y-12865		x4	Y-11793		x4
Y-11562					x8
Y-29310		x6	Y-12310		x4
Y-12870					x2
S21235		x2	S21233		x4
Y-29304					x2
S35094		x1	10240-13		
20005-000					x1



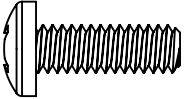
TOOLS REQUIRED

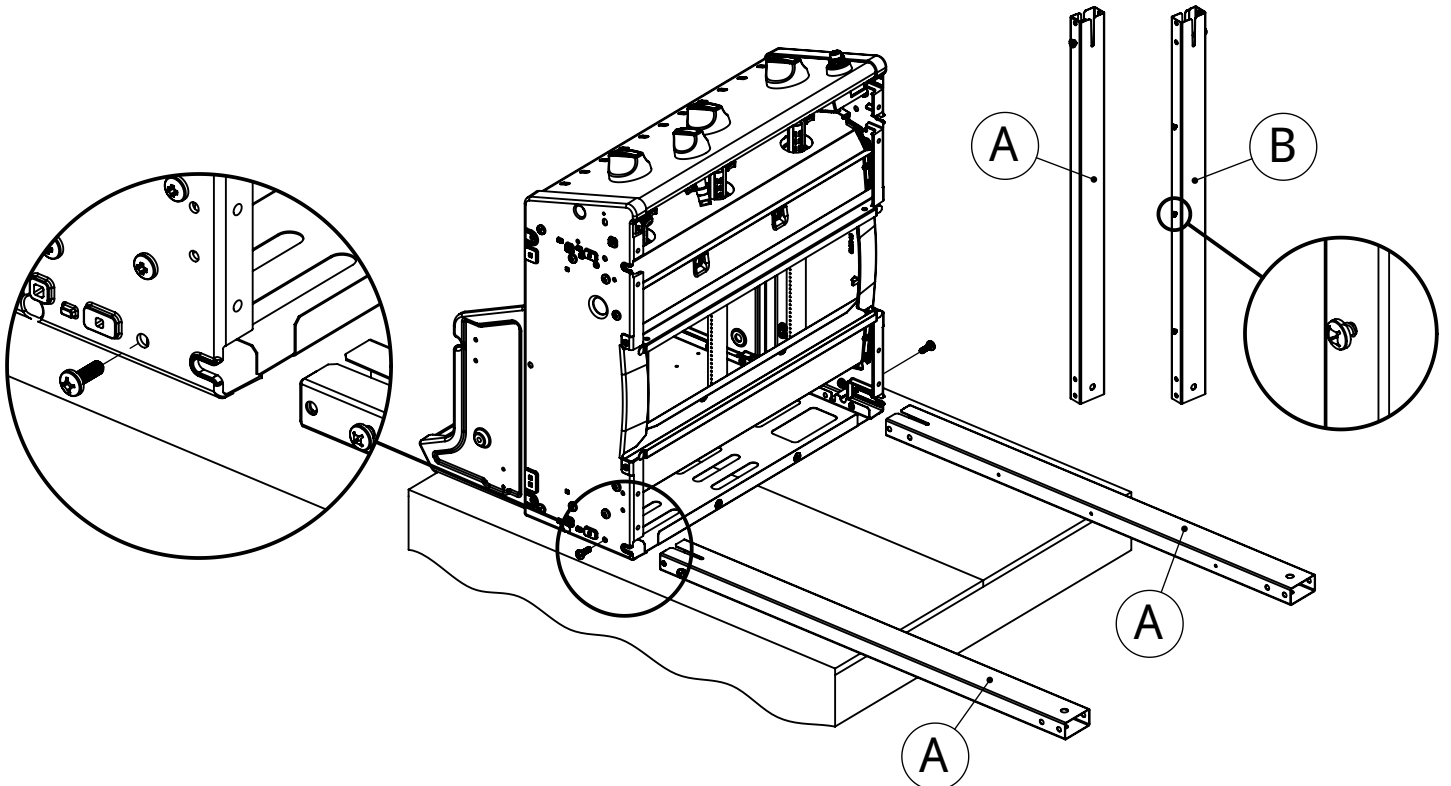


1



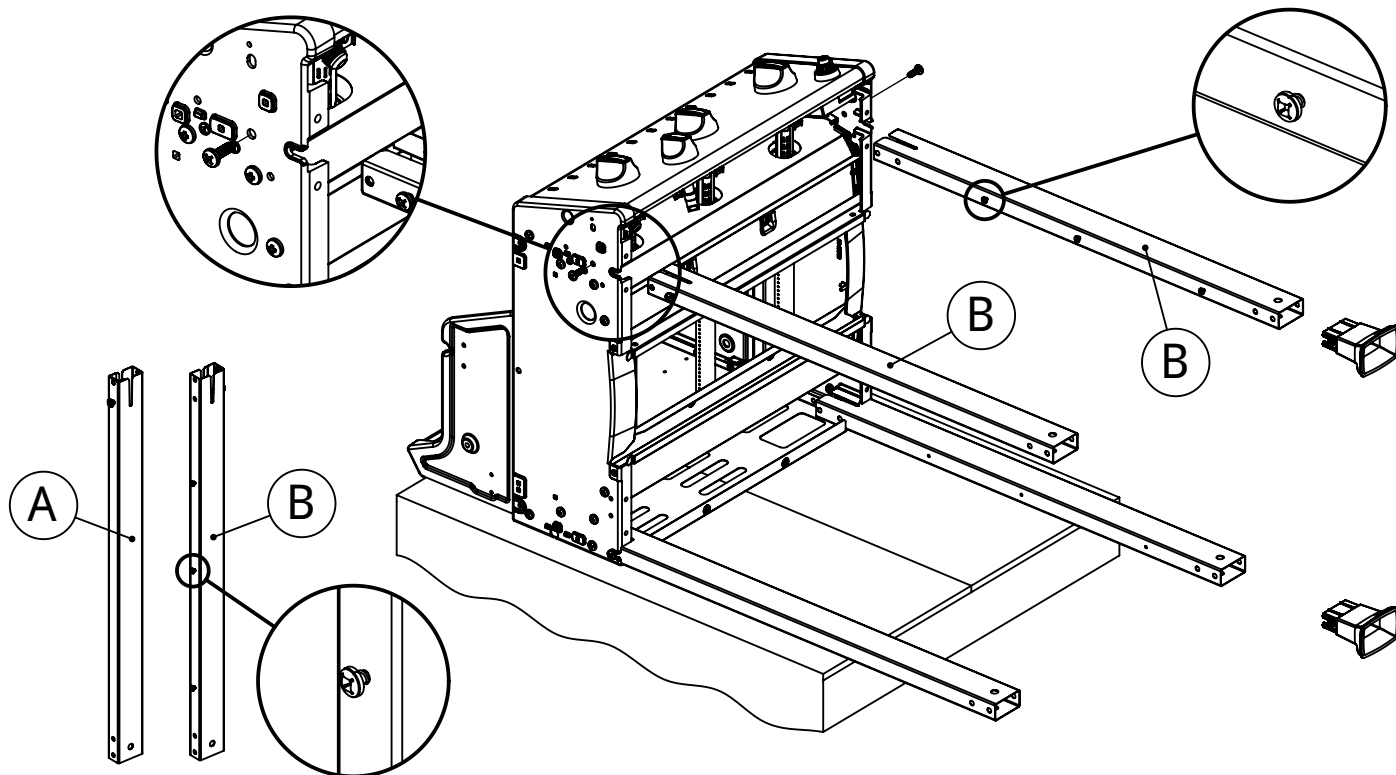
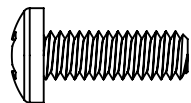
2

(2) 



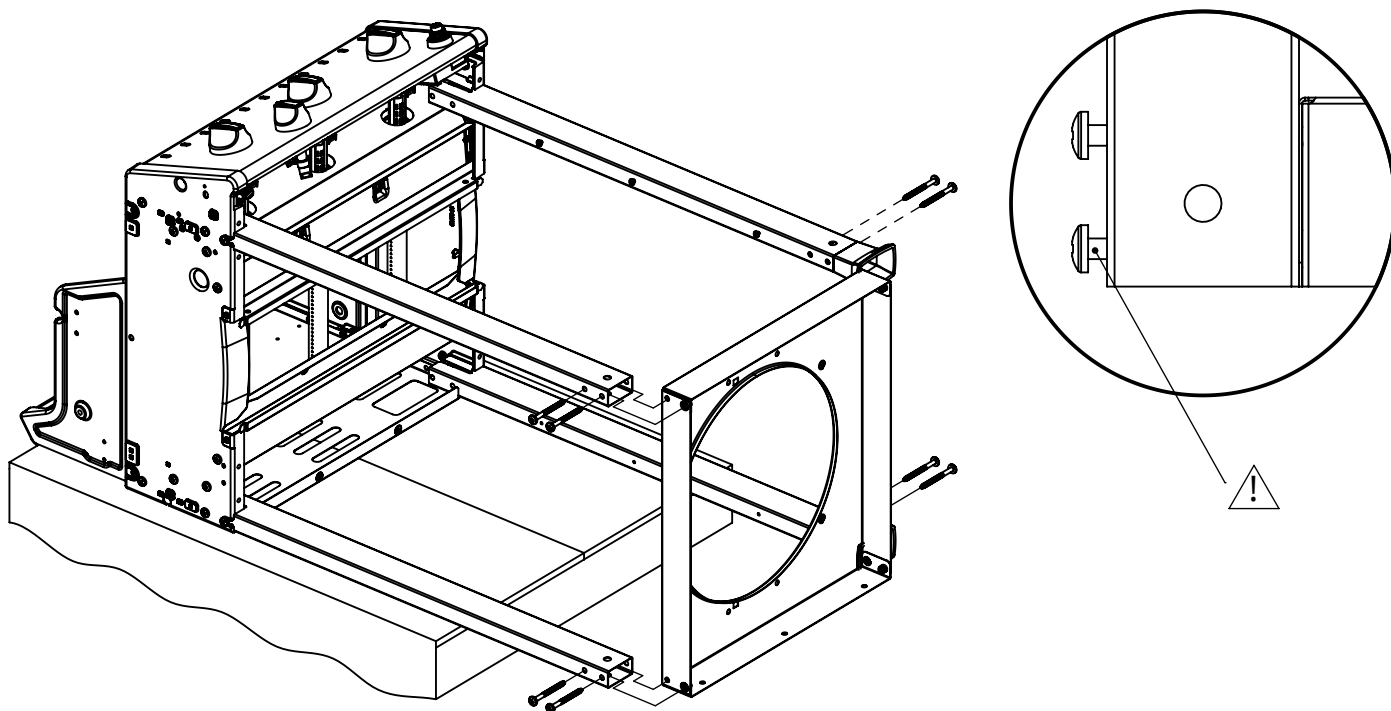
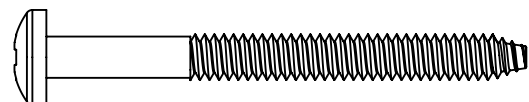
3

(2)

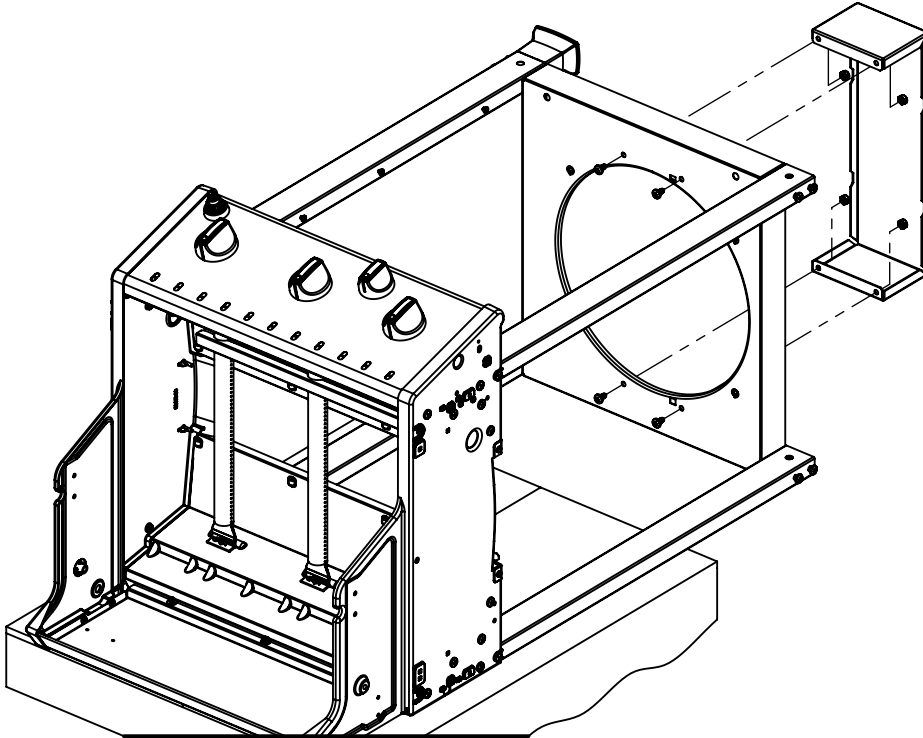
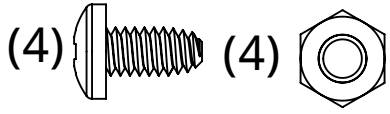


4

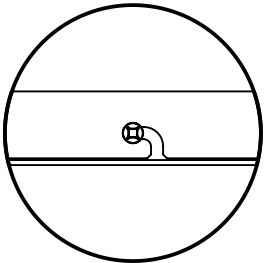
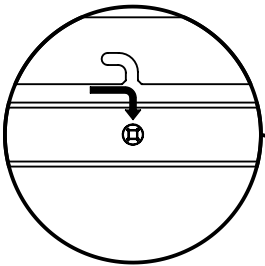
(8)



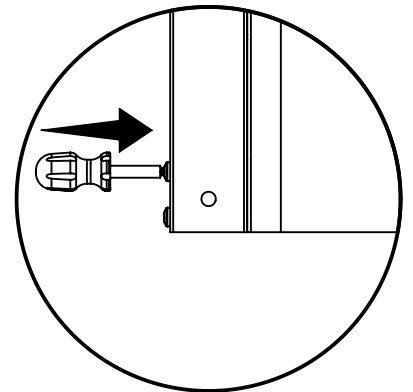
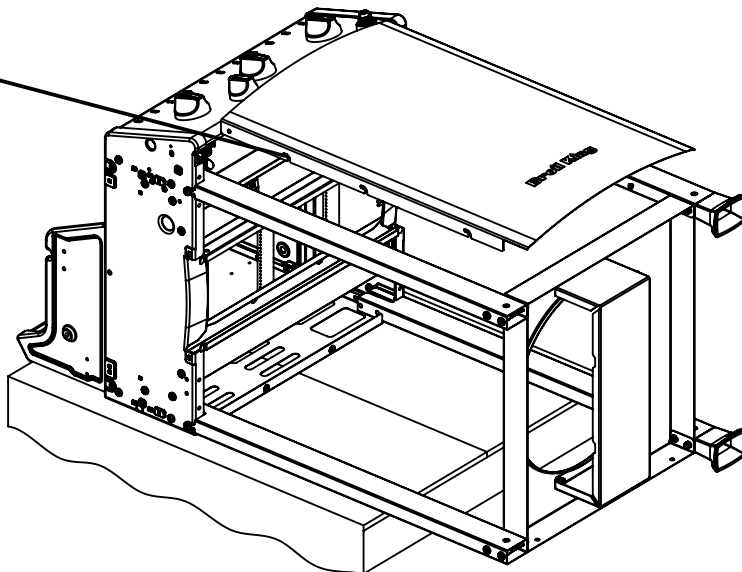
5



6

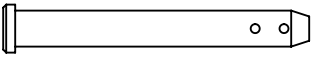
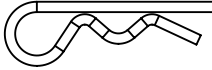


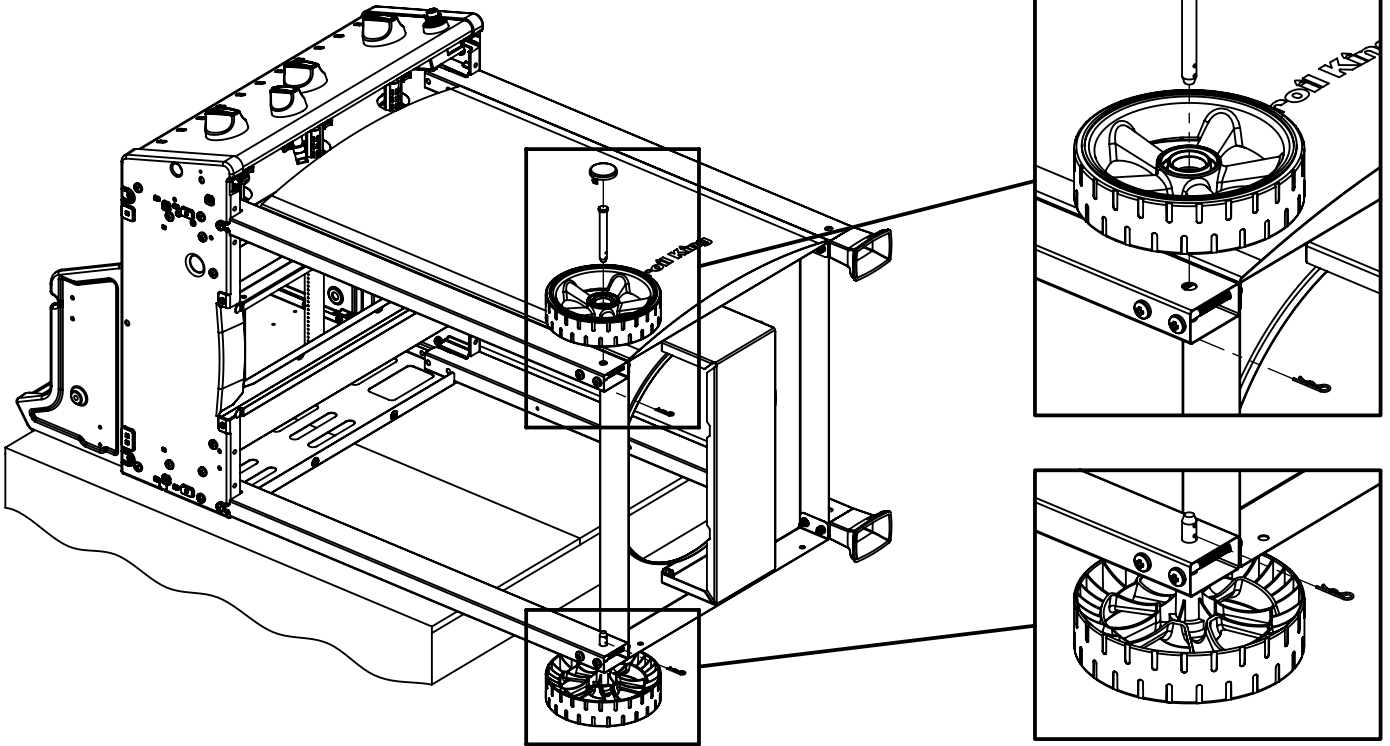
x6



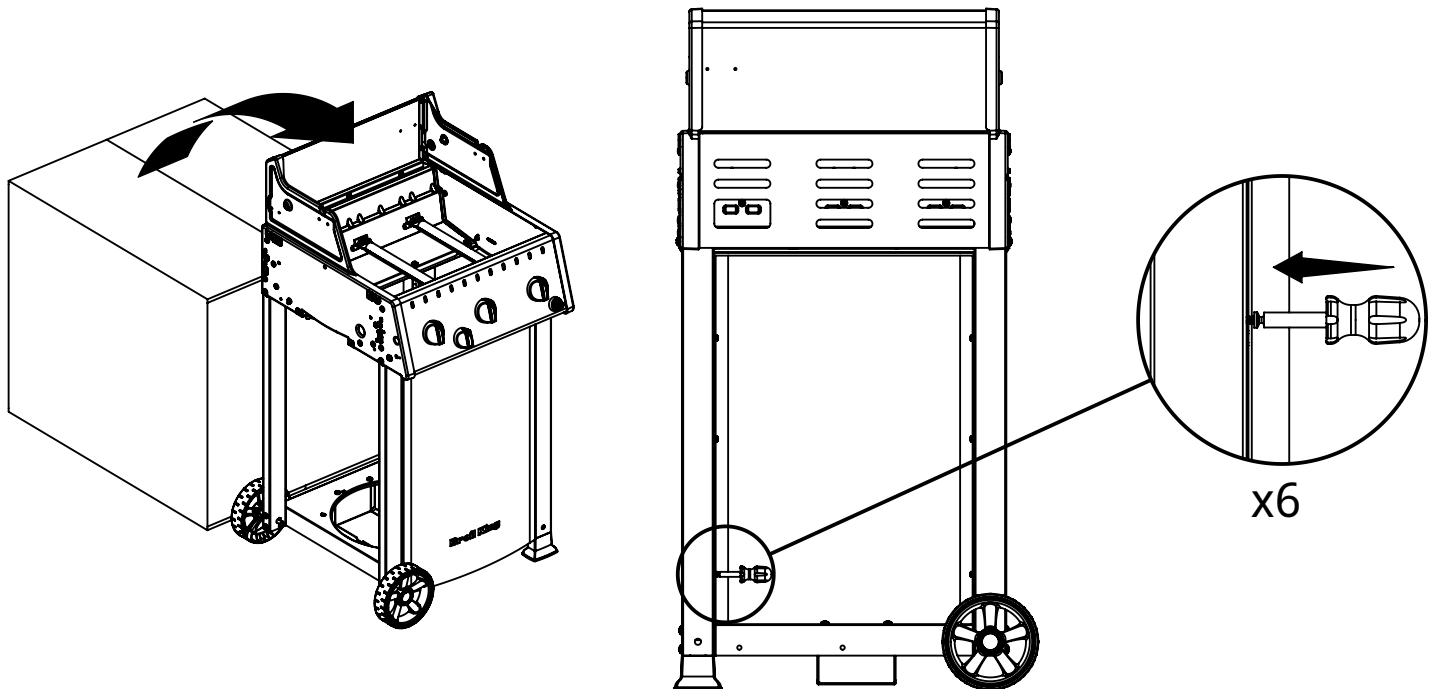
x8

7

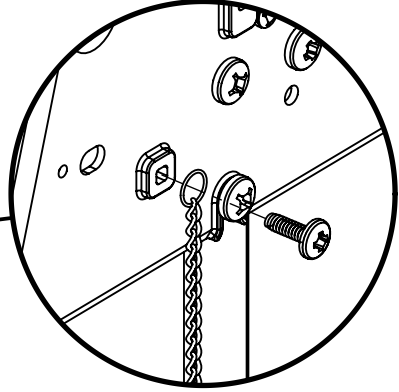
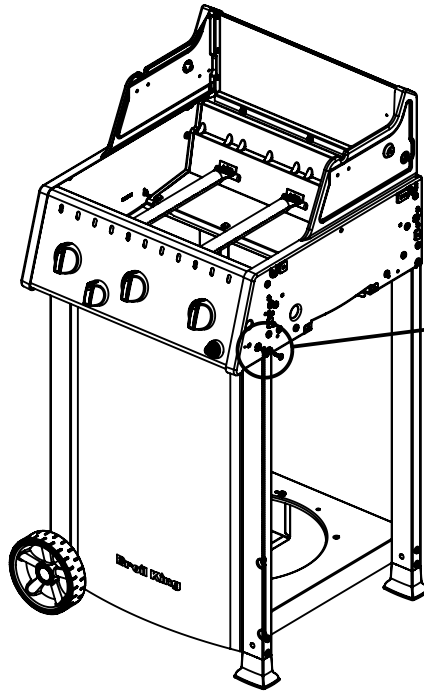
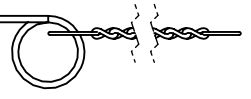
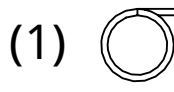
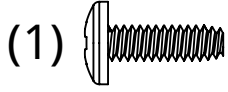
(2)  (2) 



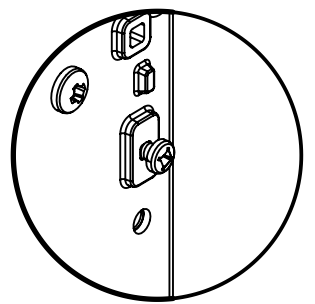
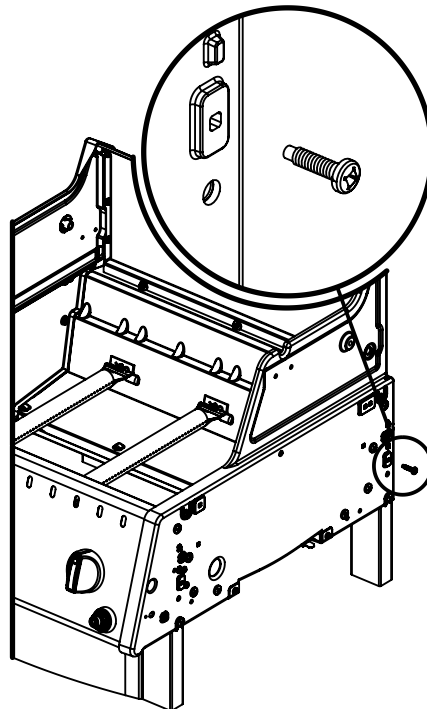
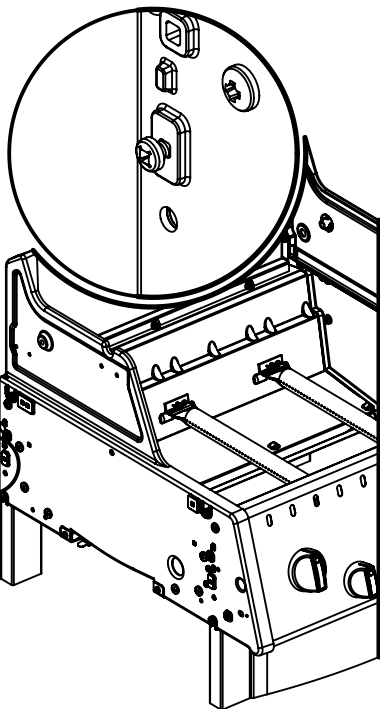
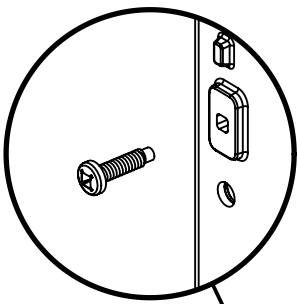
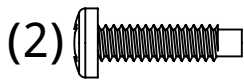
8



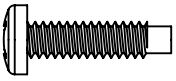
9

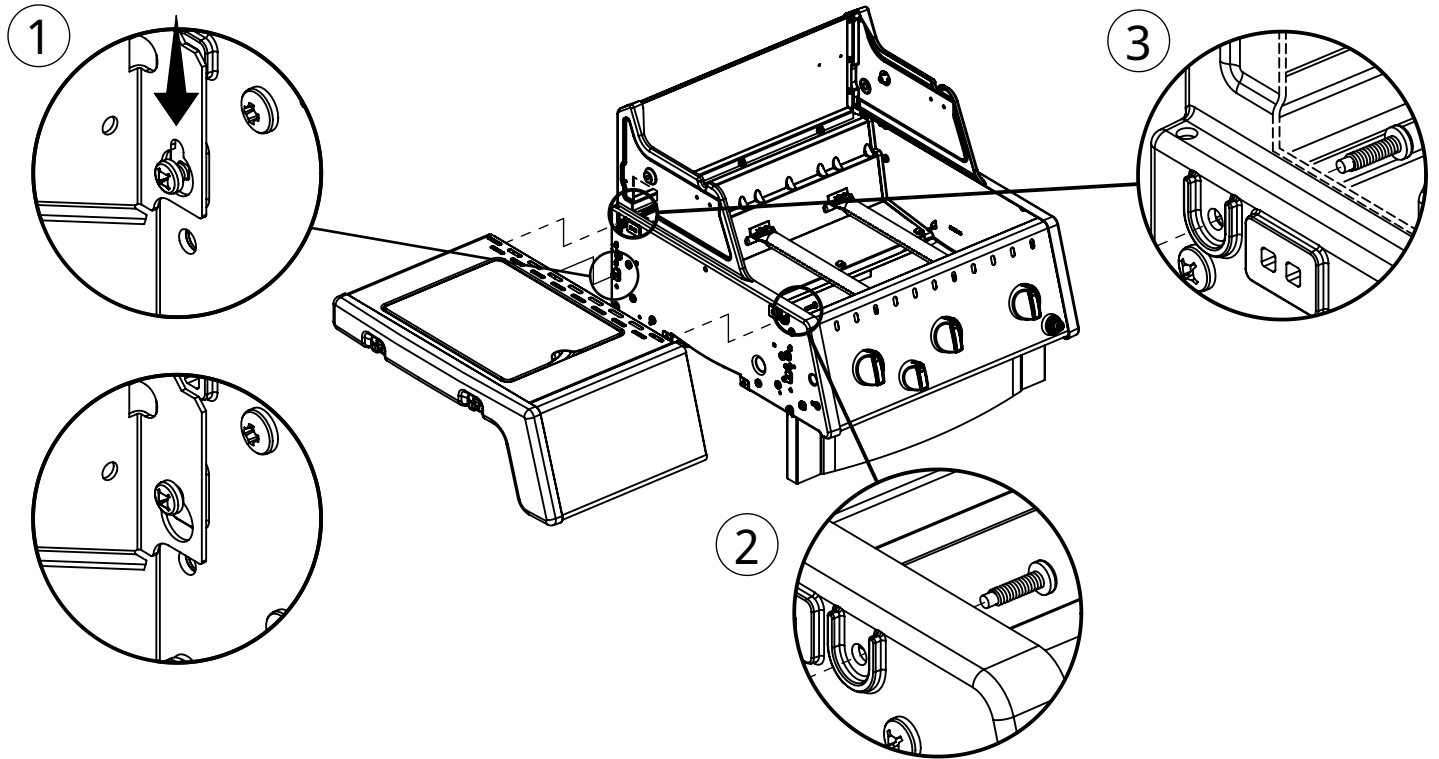


10

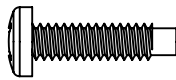


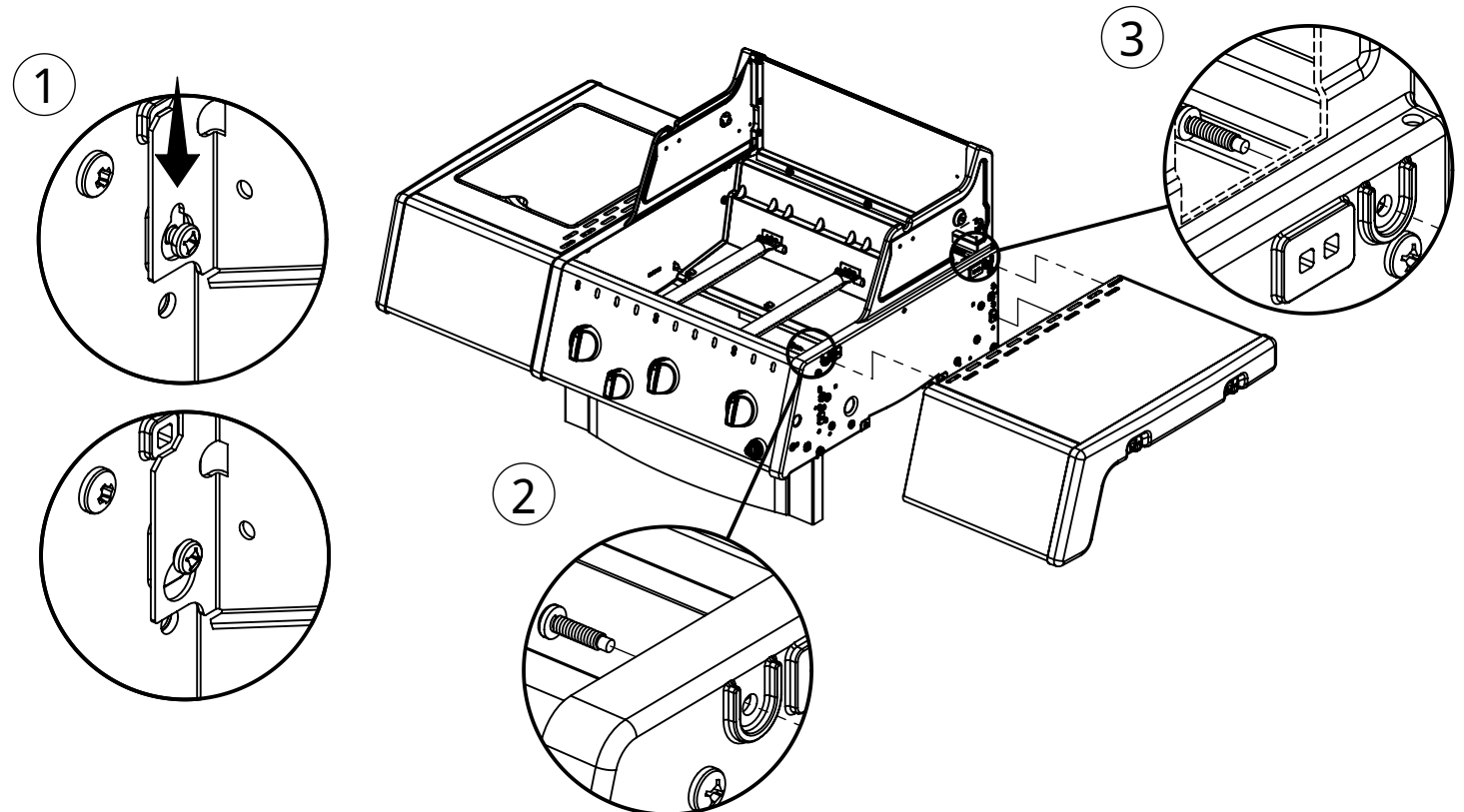
11

(2) 

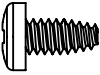
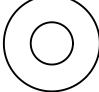


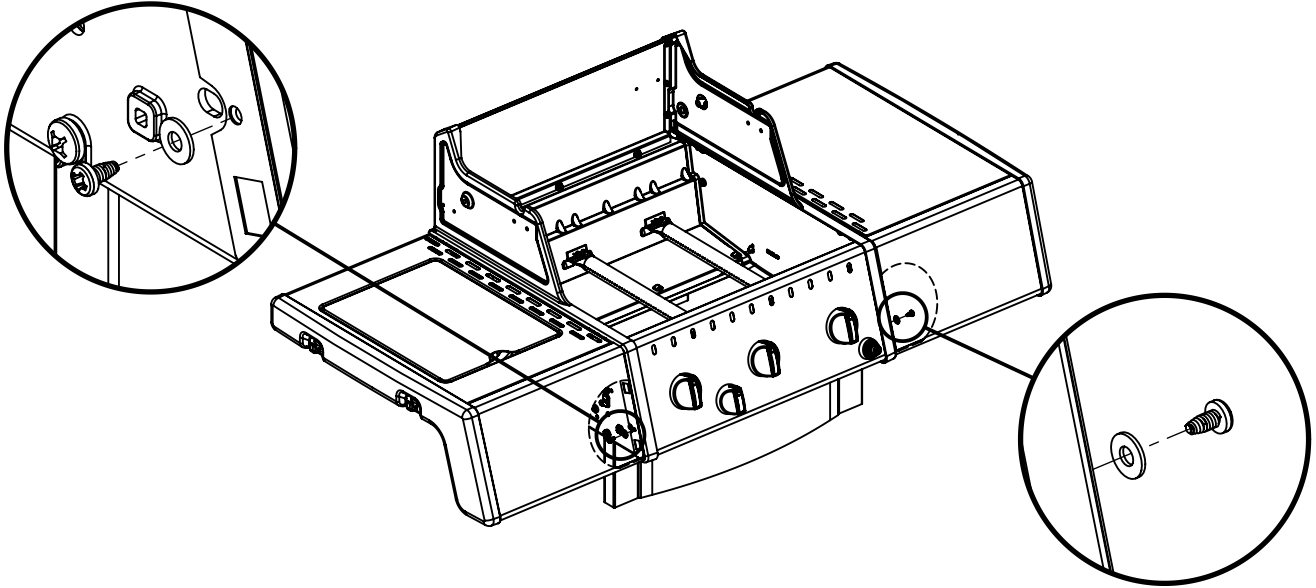
12

(2) 

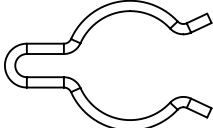


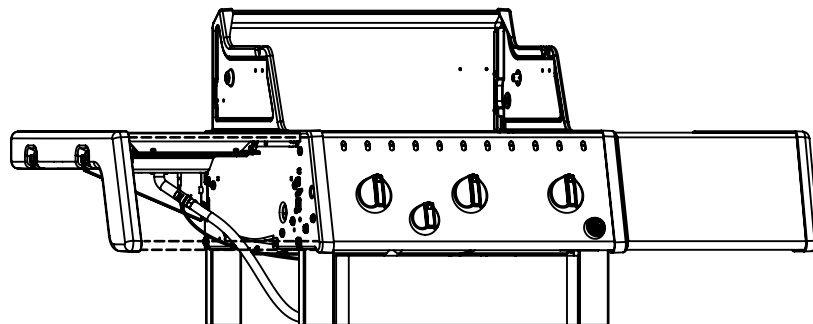
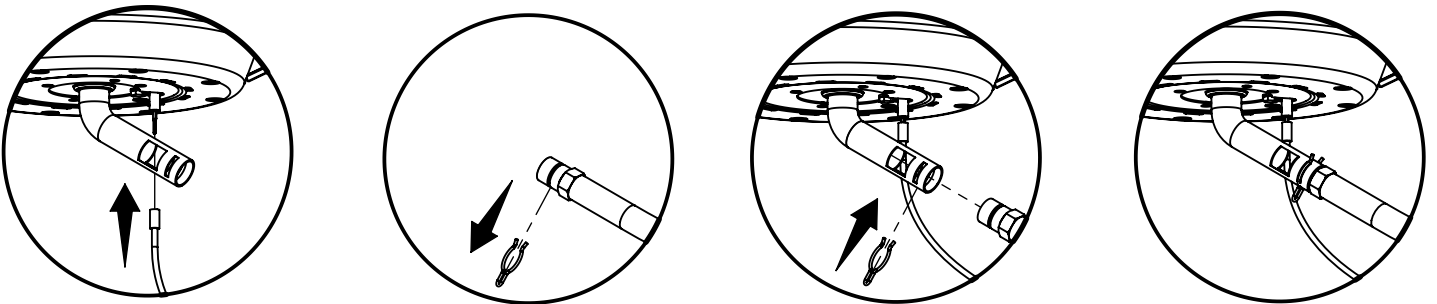
13

(2)  (2) 

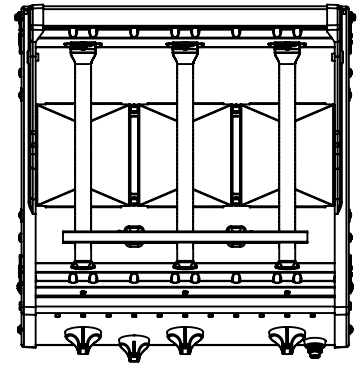
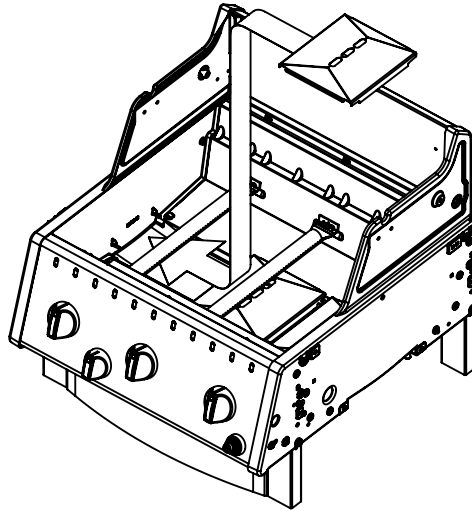
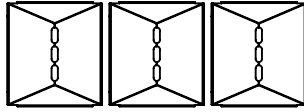
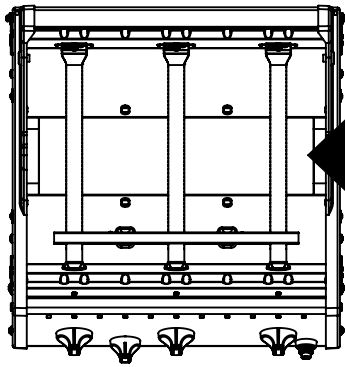


14

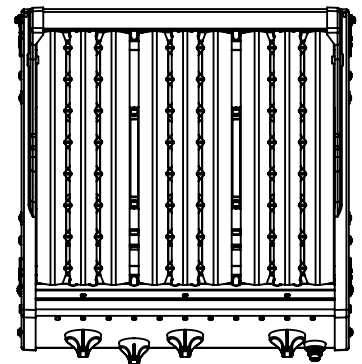
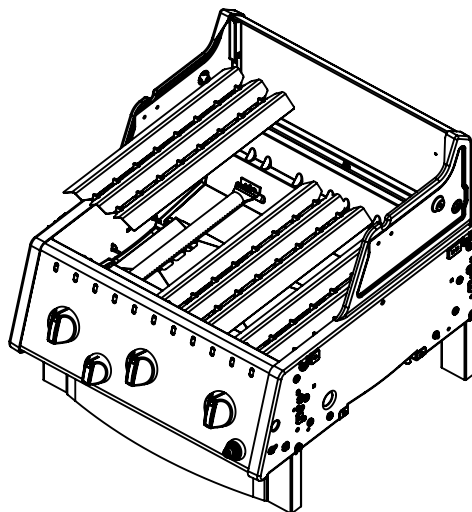
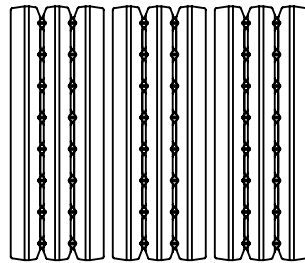
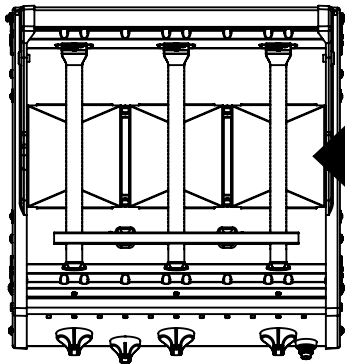
(1) 



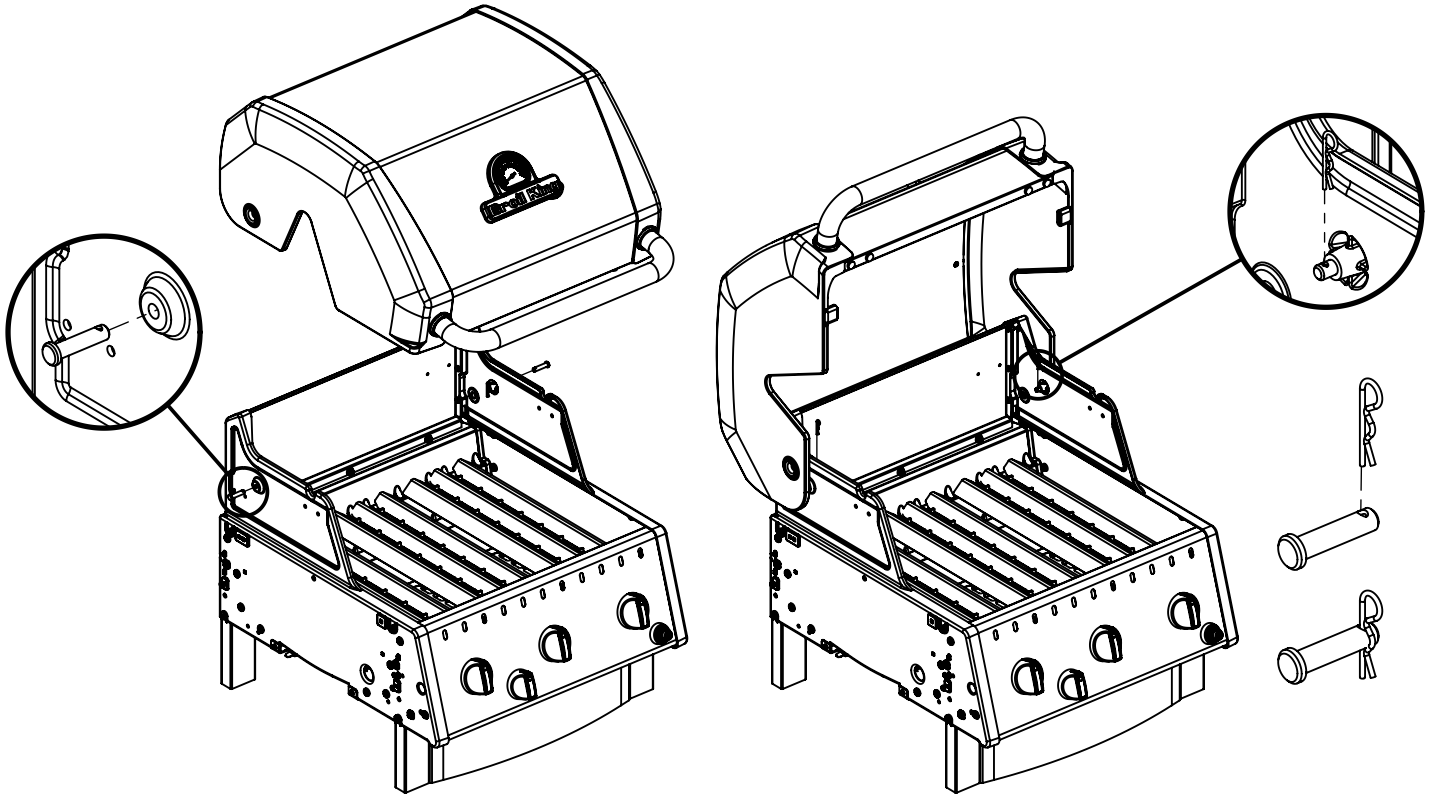
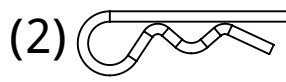
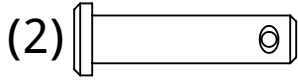
15



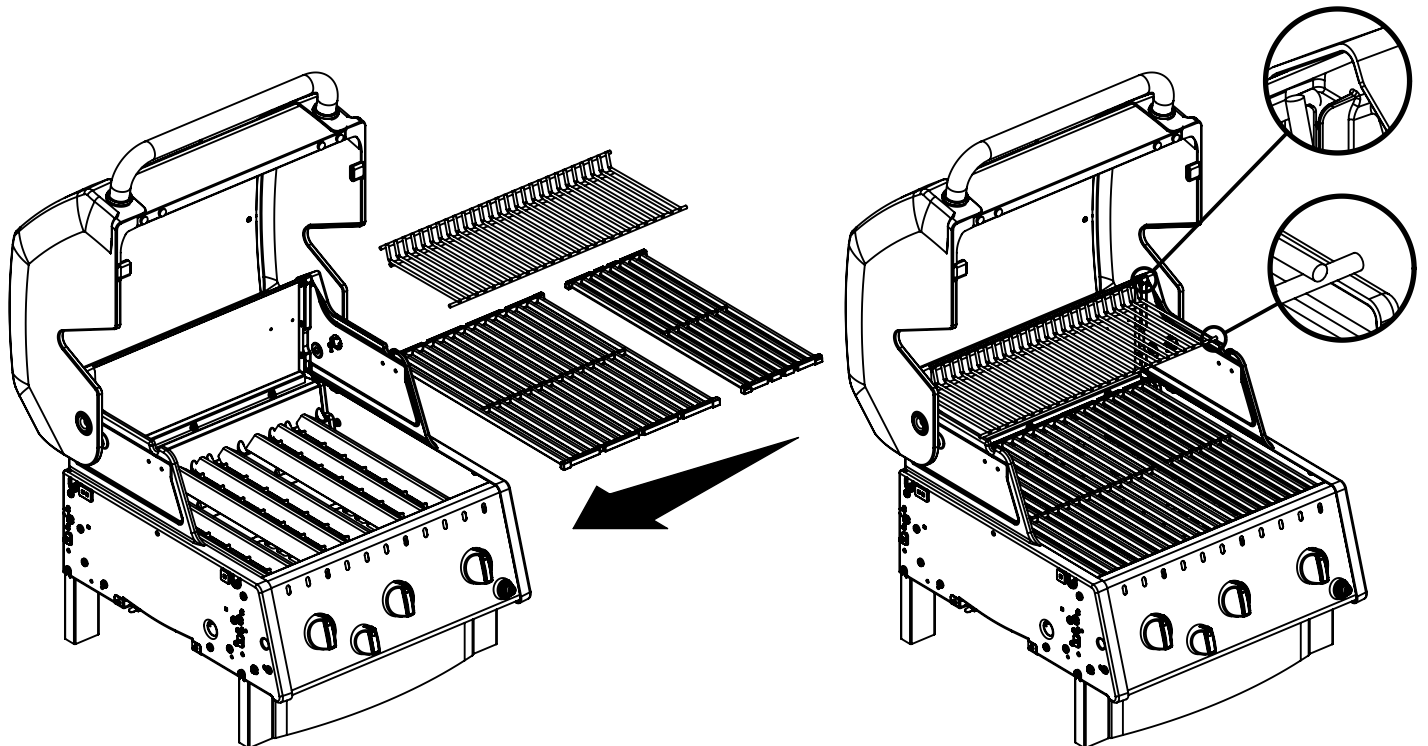
16



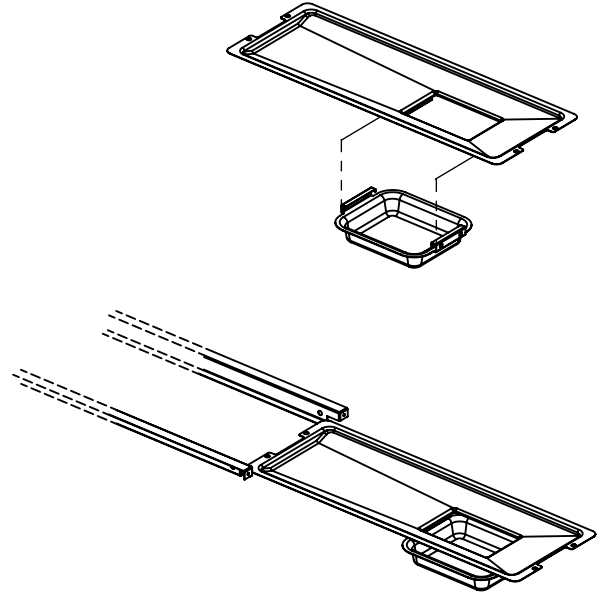
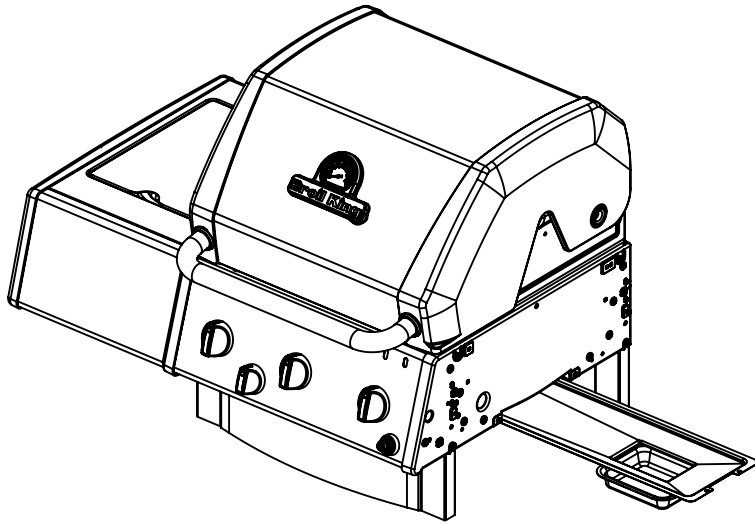
17



18



19



20

