

Broil King®



9811-63
9811-62



9815-63
9815-62



9811-53
9811-52

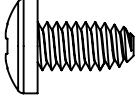
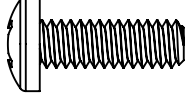

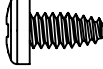
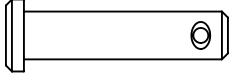
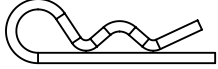
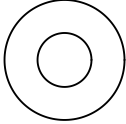
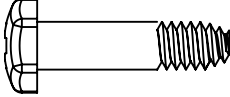
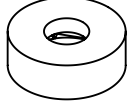
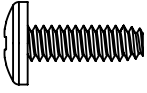
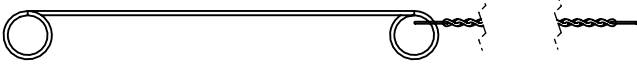
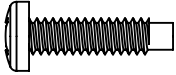
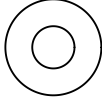
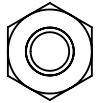


9815-53
9815-52



HARDWARE INCLUDED



Y-12865		x12	Y-12310		x6	S21125		x8
Y-29304		x4	S21235		x2	S21233		x2
Y-12857		x2	Y-11551		x1	Y-12124		x1
S35094		x1	20005-000					x1
Y-29310		x6	Y-12870		x2	Y-11793		x4

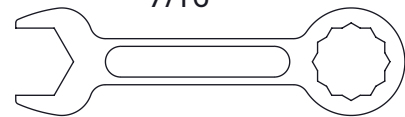
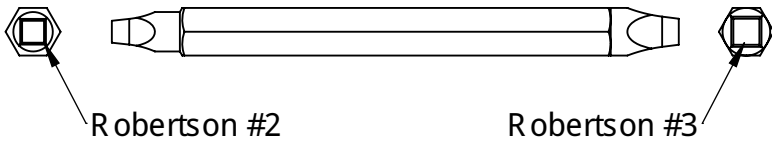


TOOLS REQUIRED

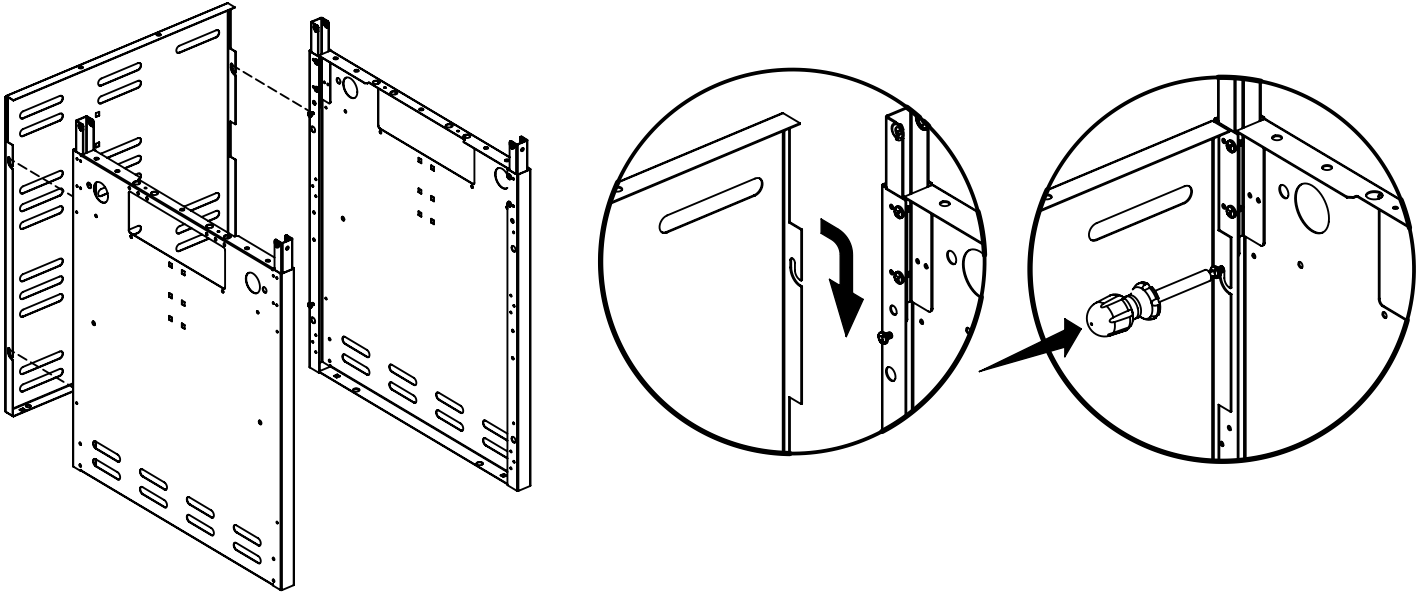


Y-31223

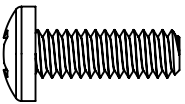
7/16"

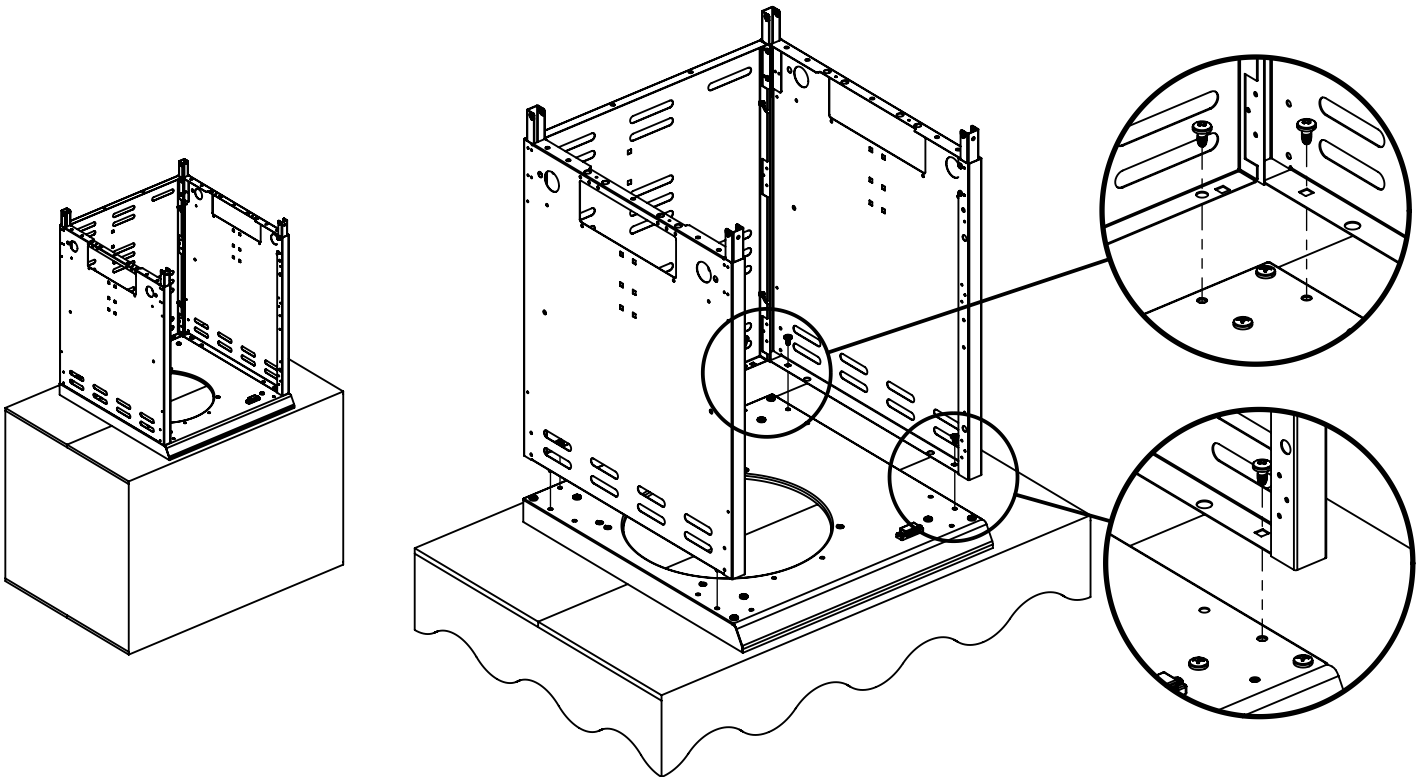


1



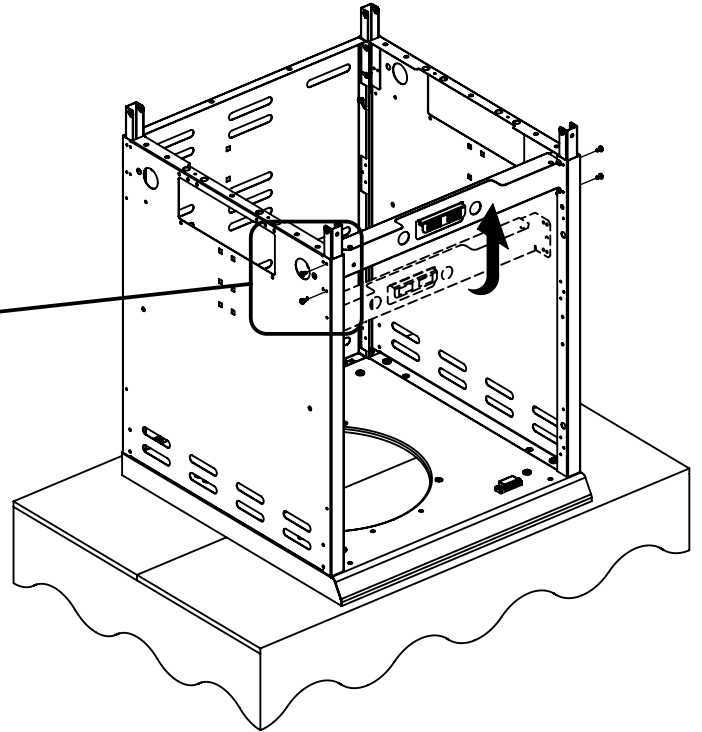
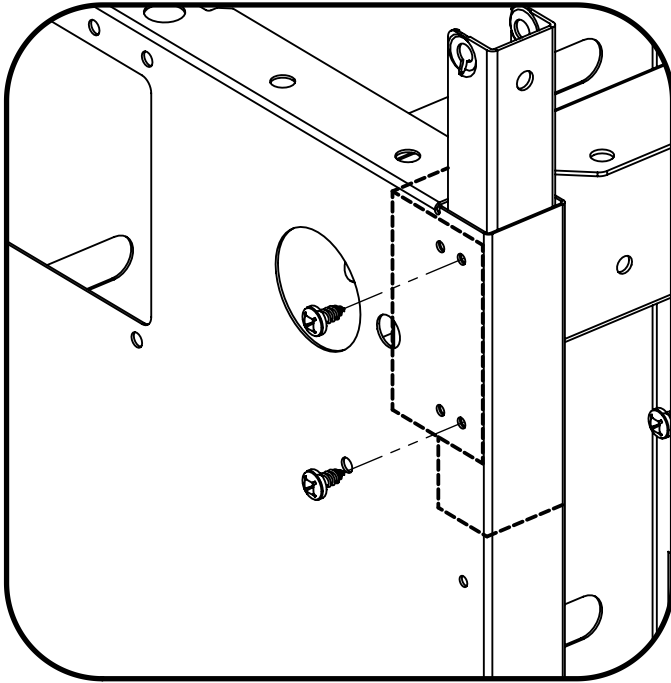
2

(6) 



3

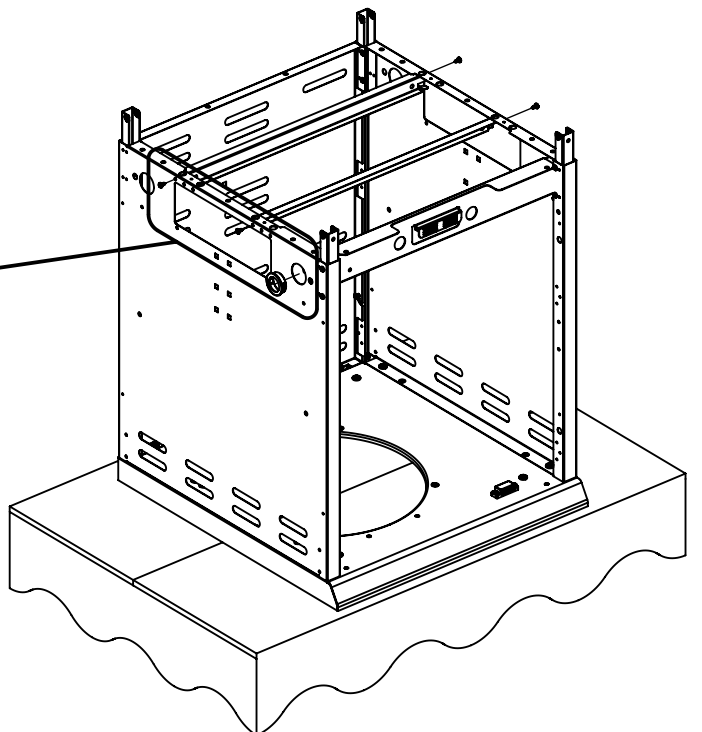
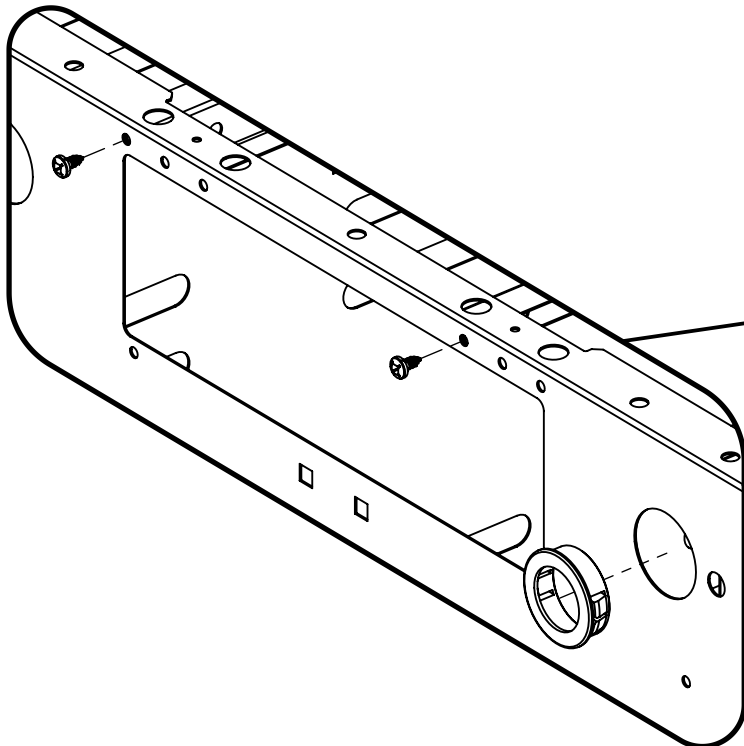
(4) 



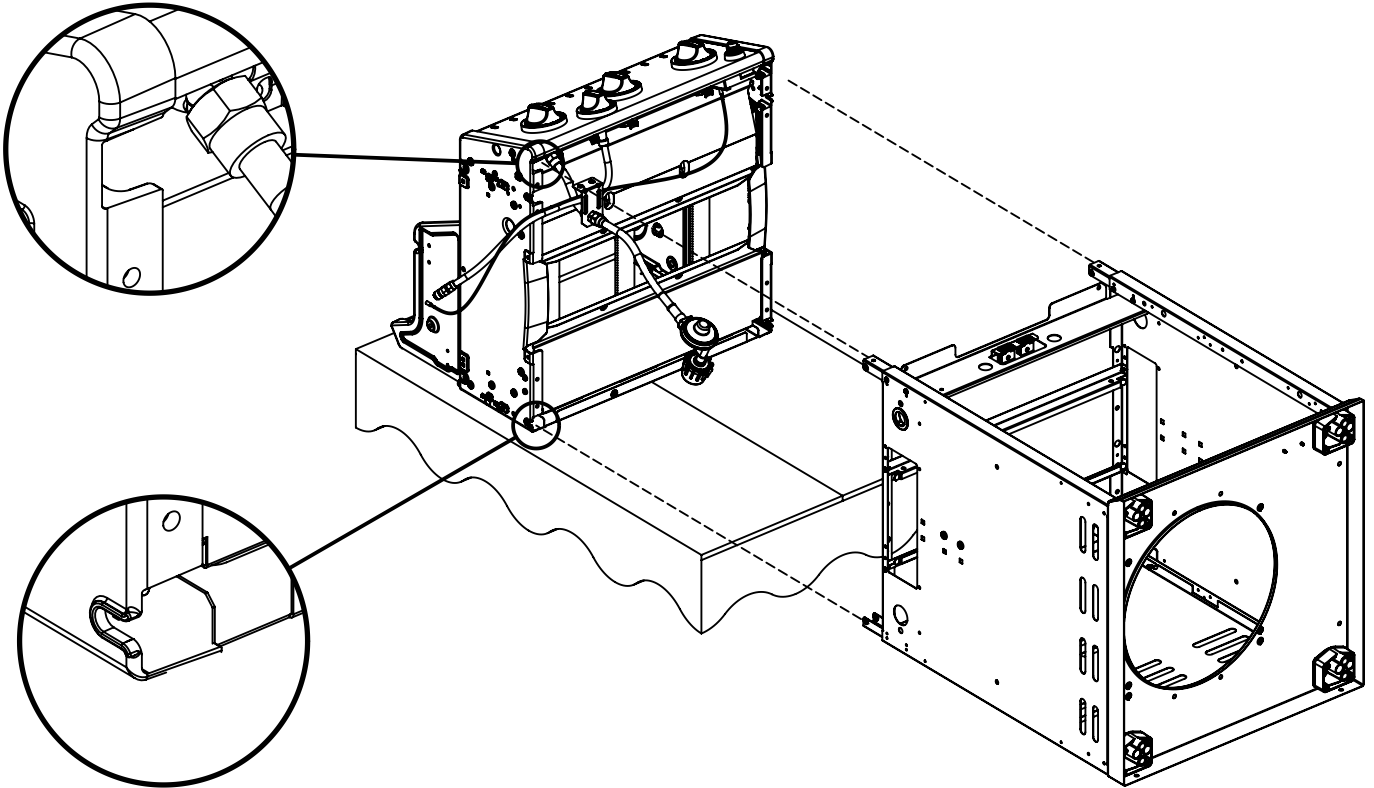
4

(4) 

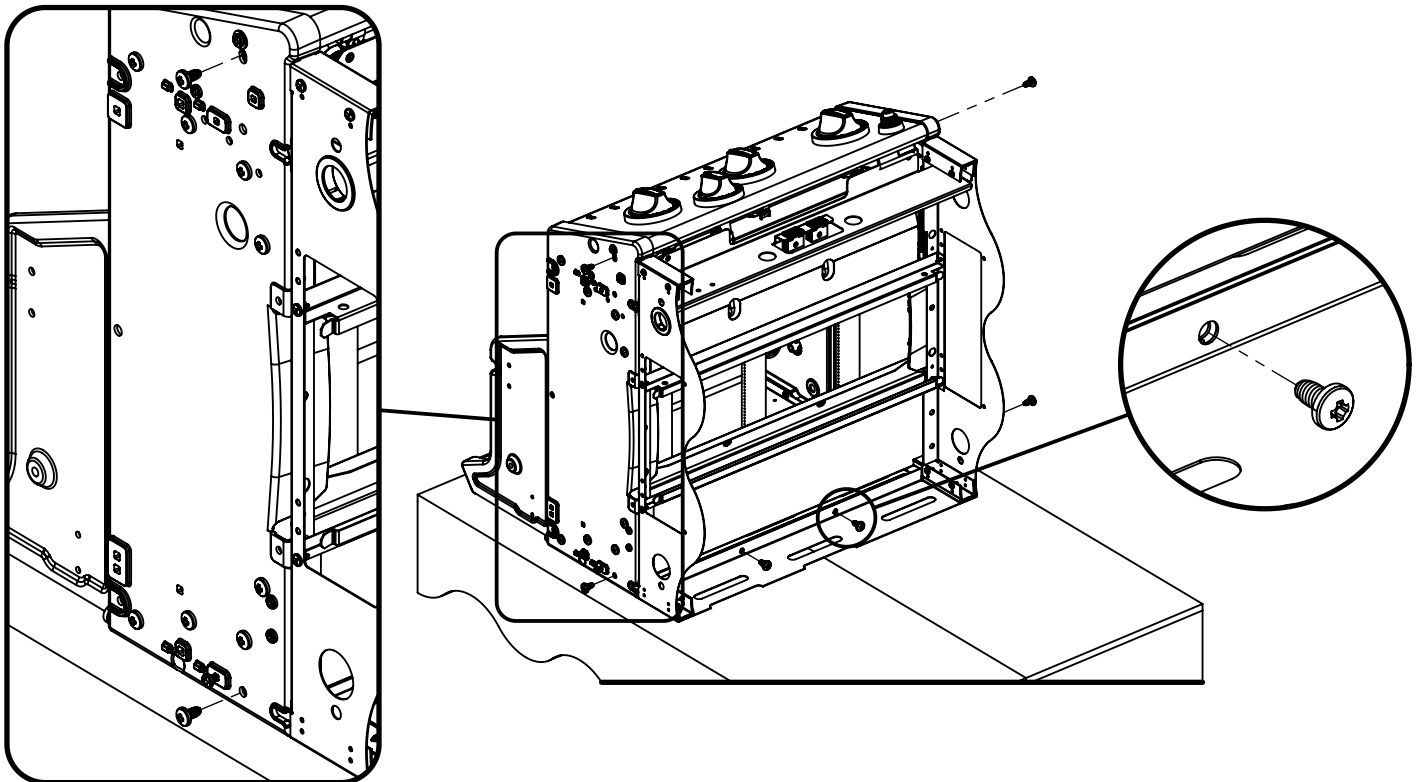
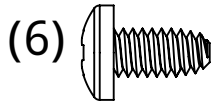
(1) 



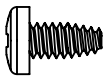
5

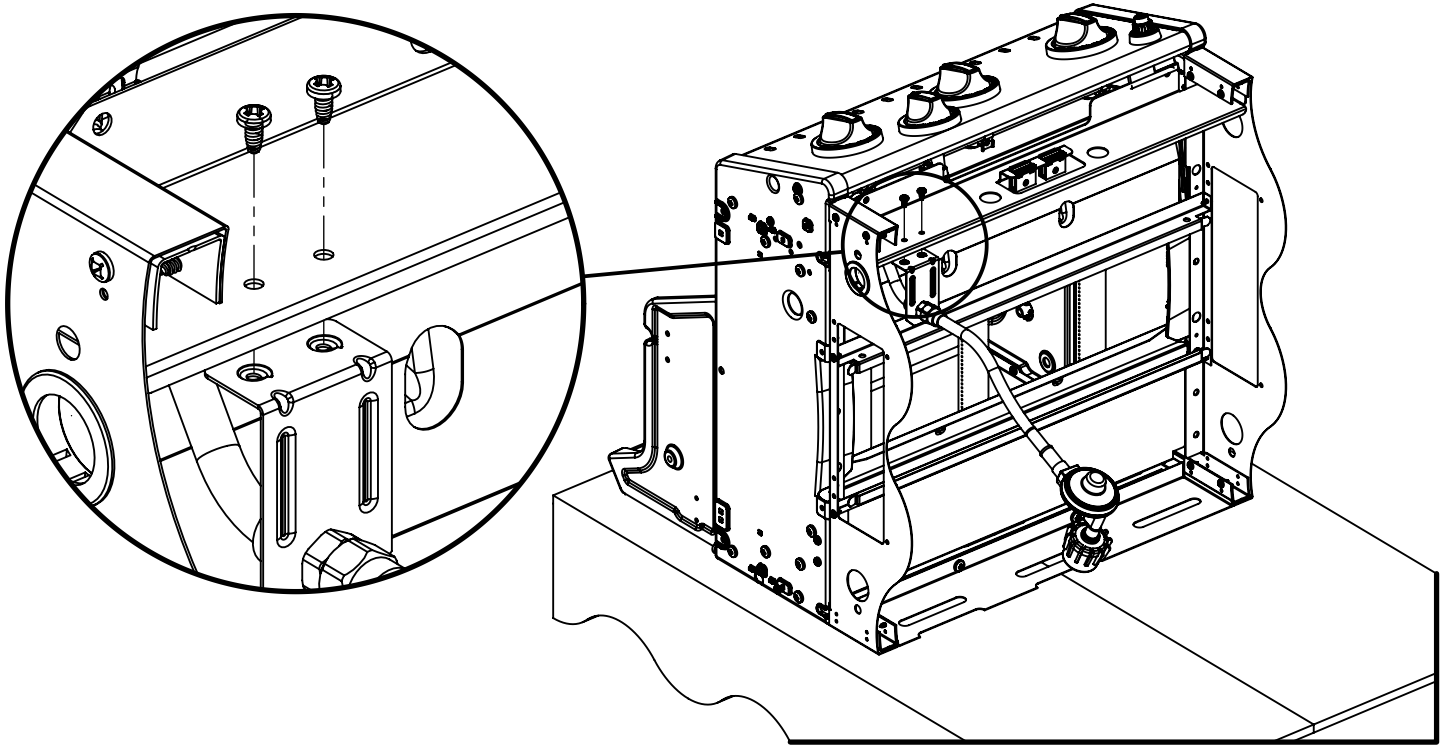


6



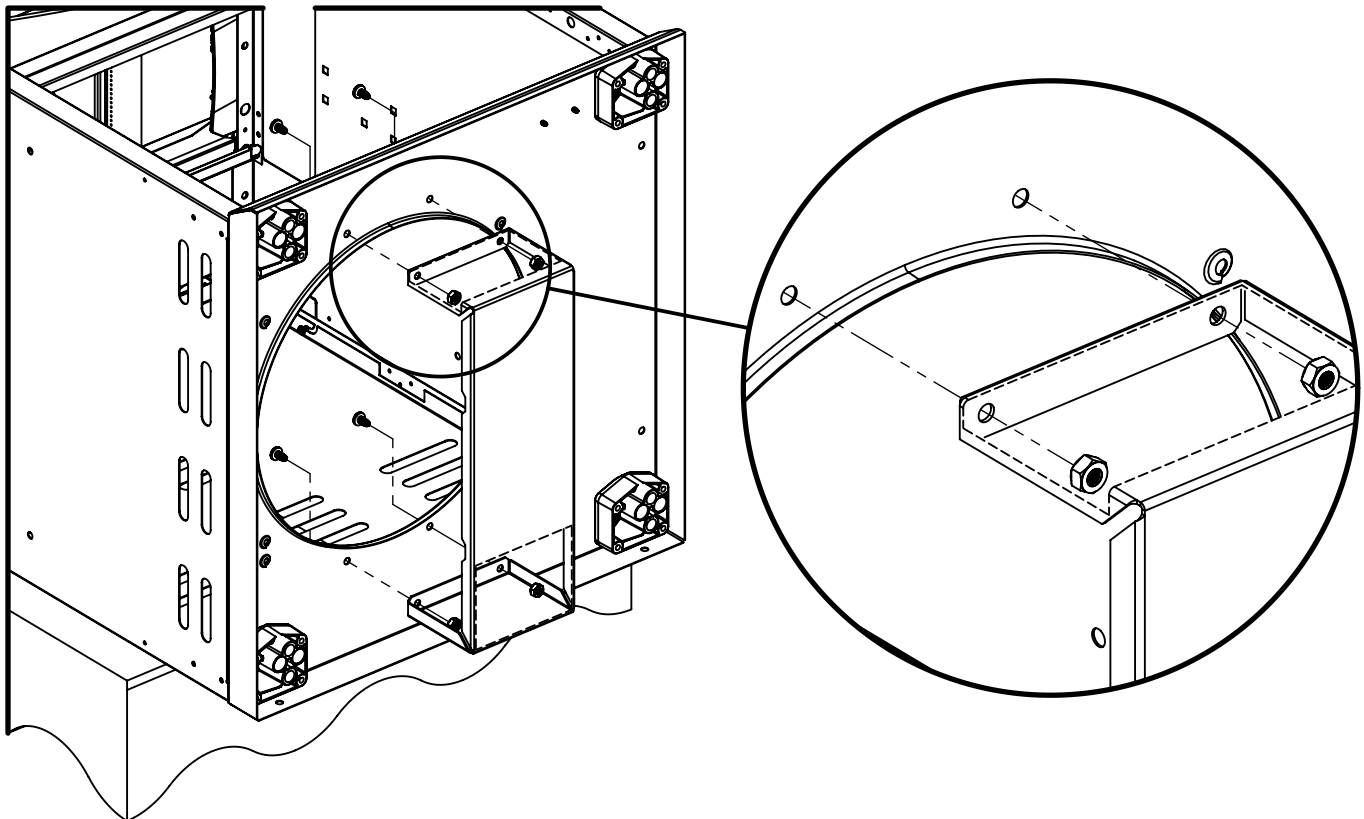
7

(2) 



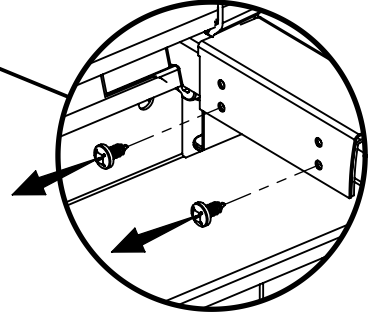
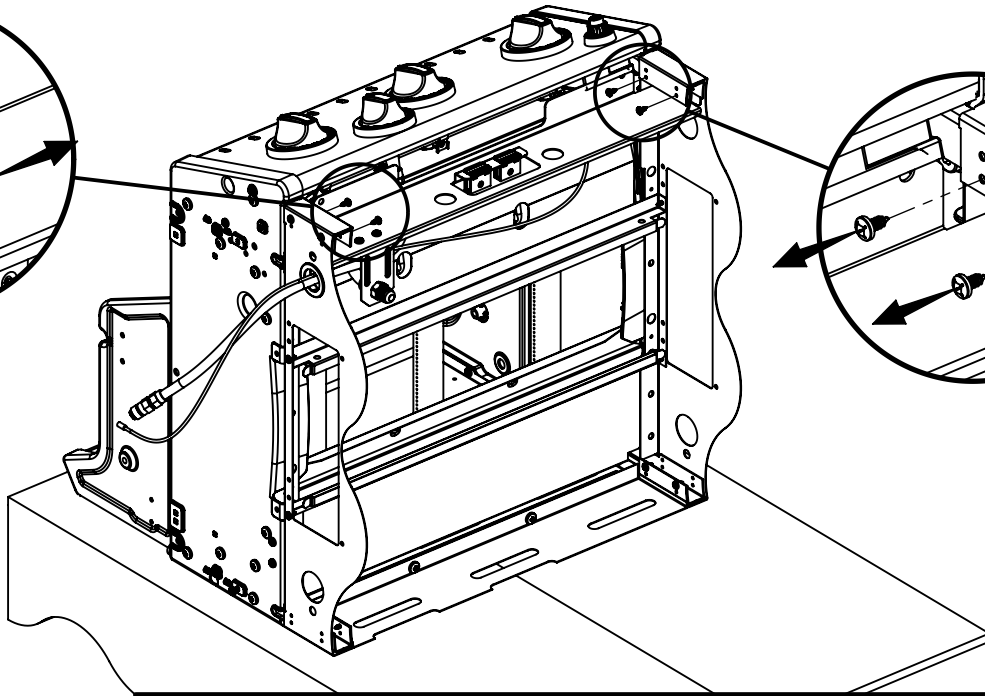
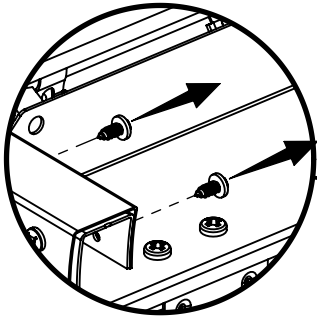
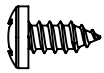
8

(4)  (4) 



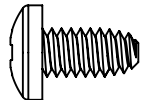
9

(4)

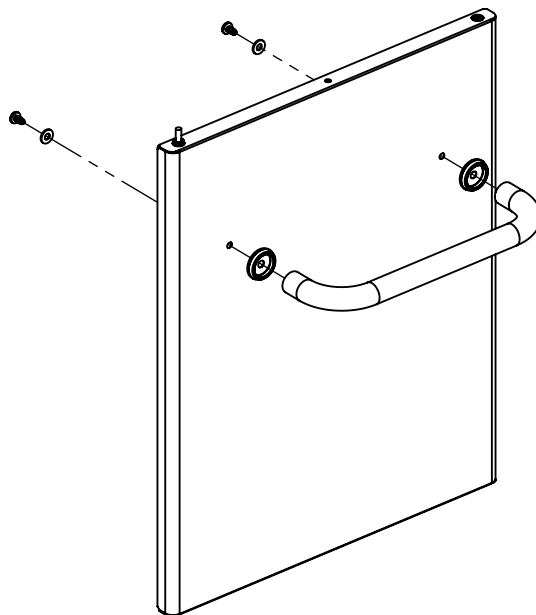
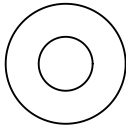


10

(2)

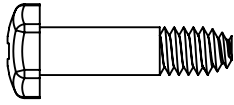


(2)

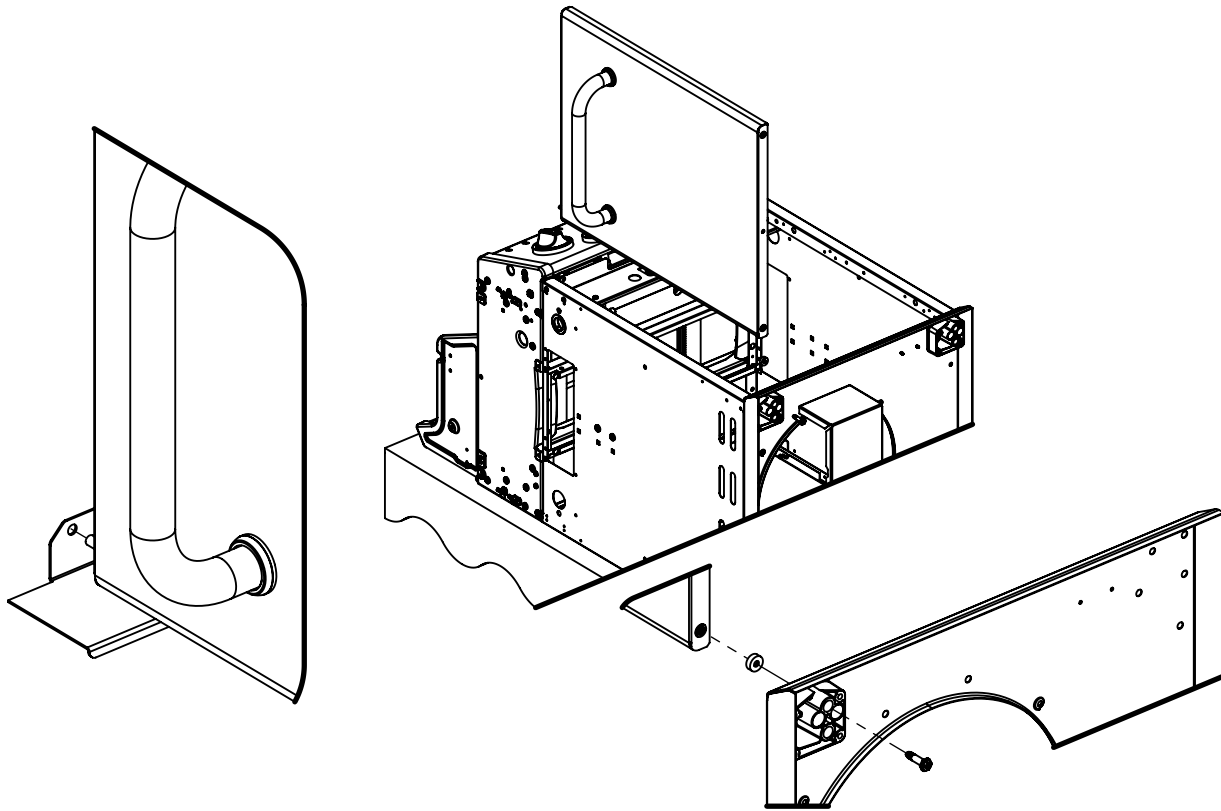
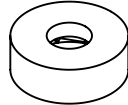


1 1

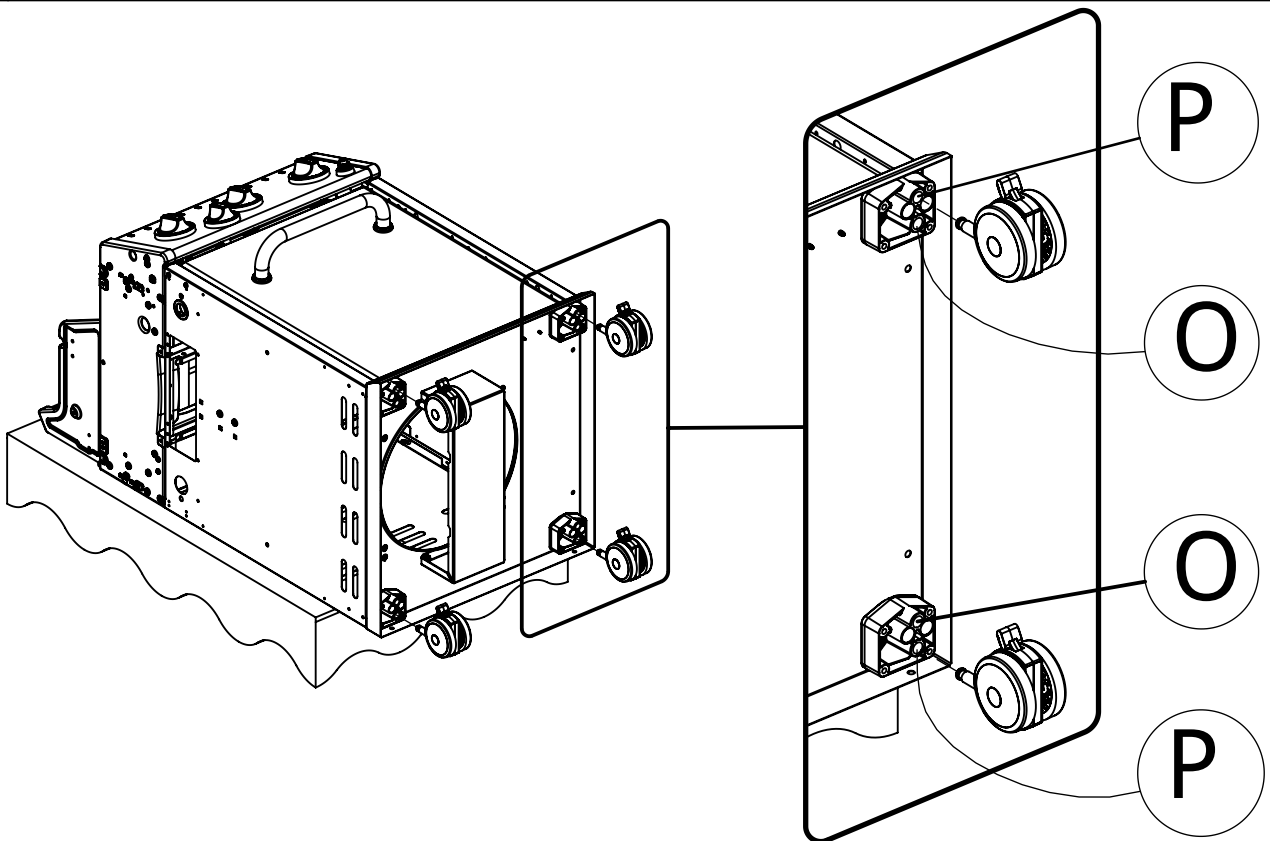
(1)




(1)

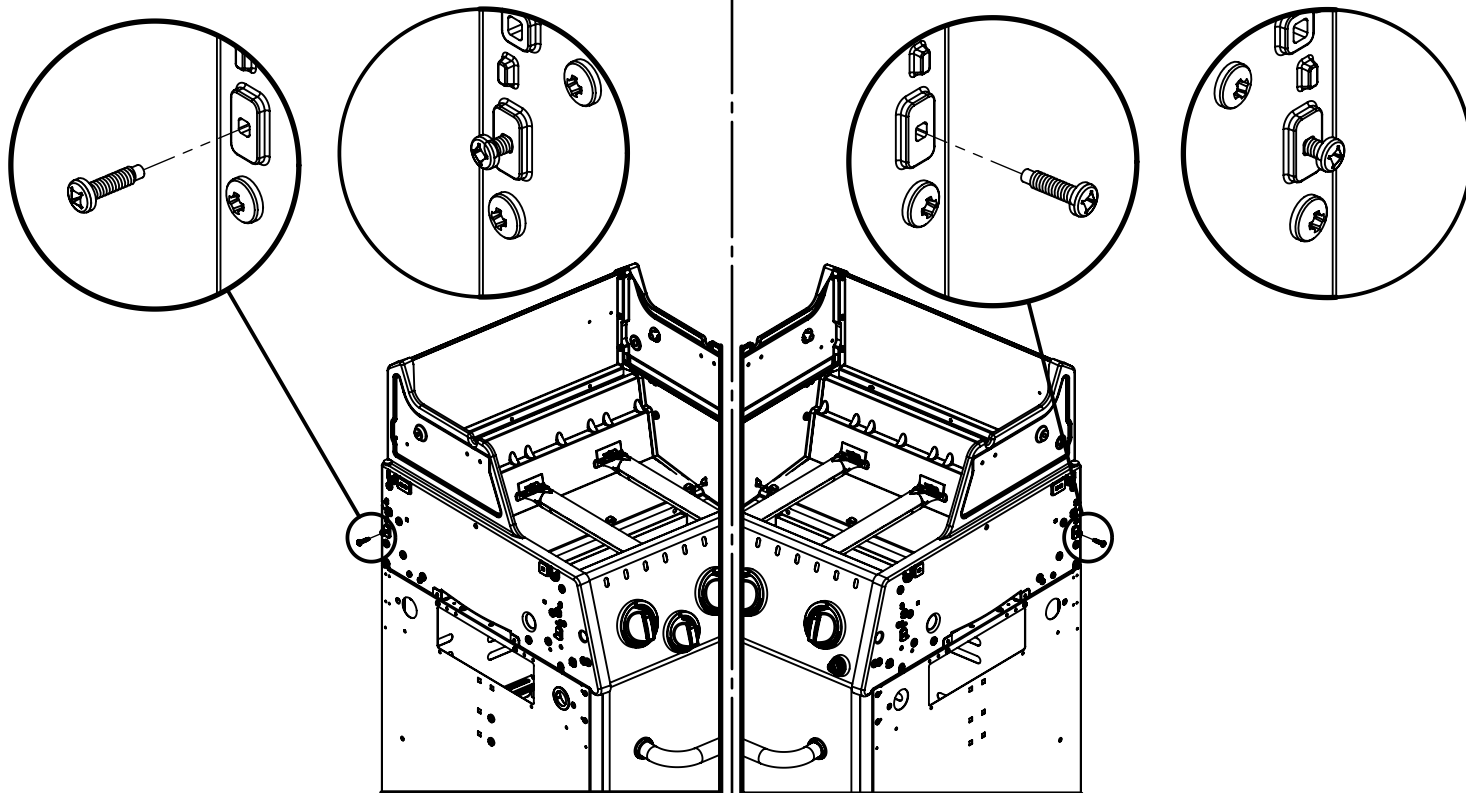


1 2




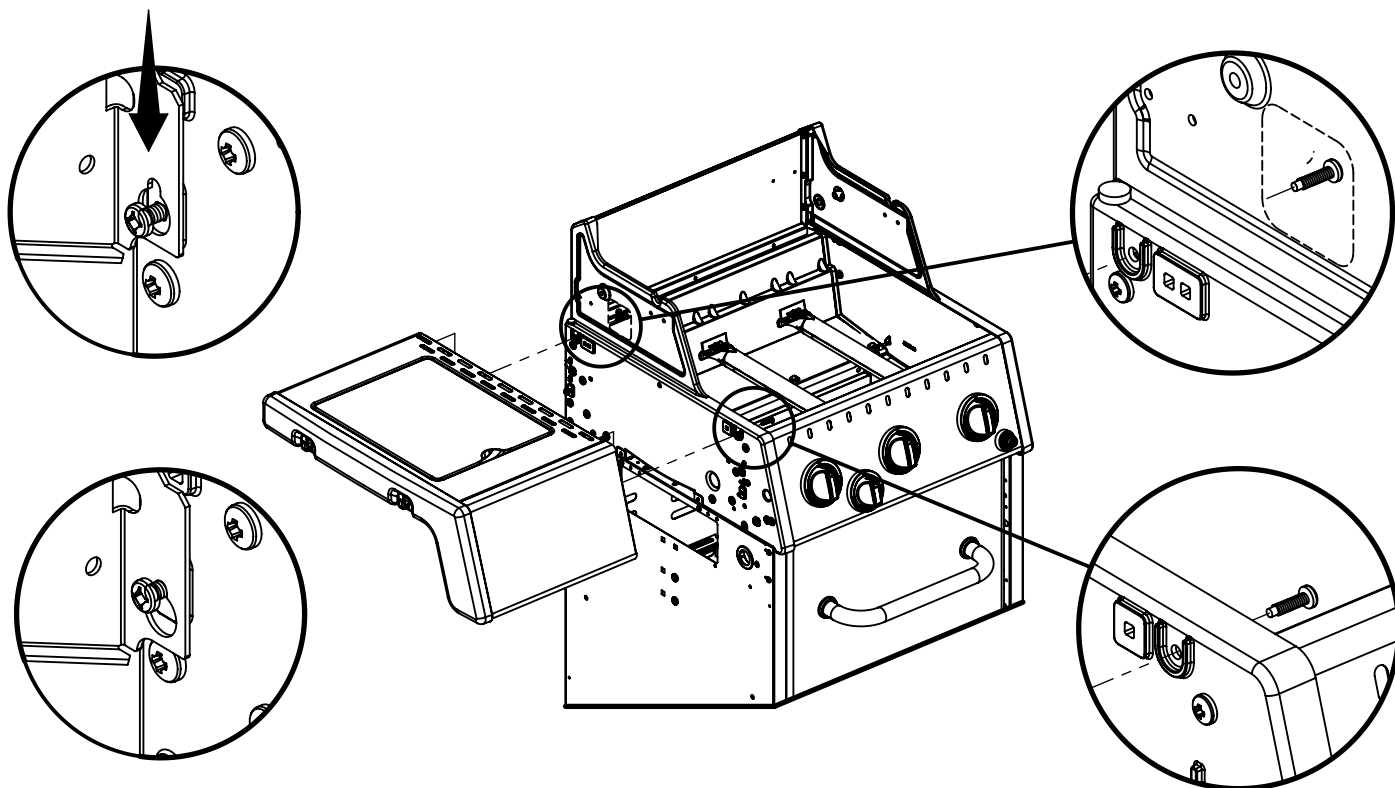
13

(2) 

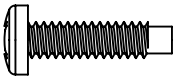


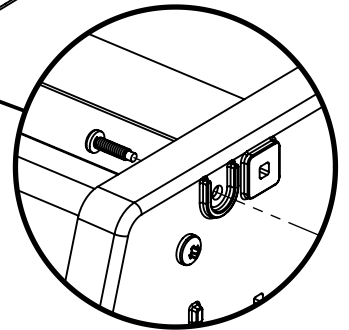
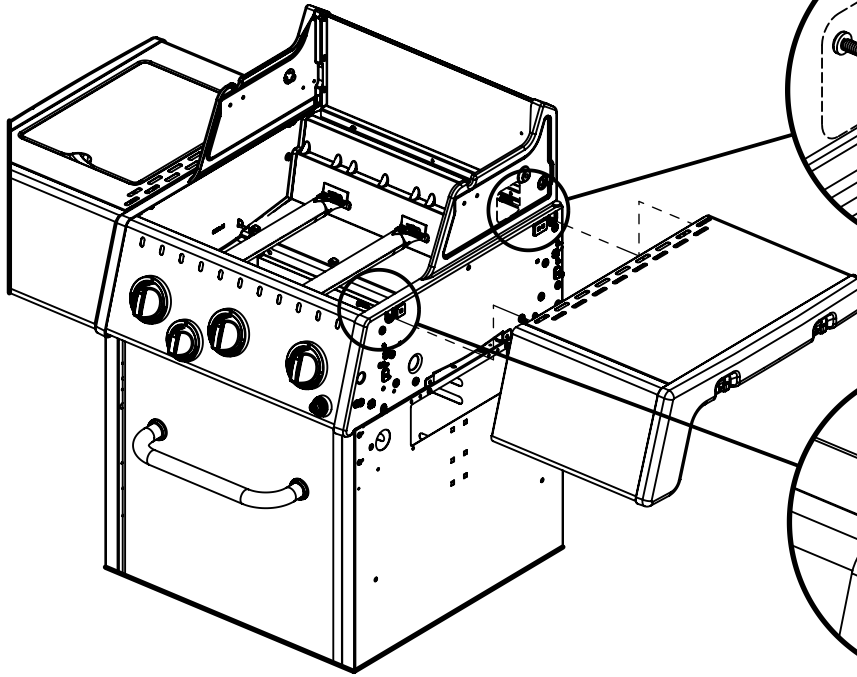
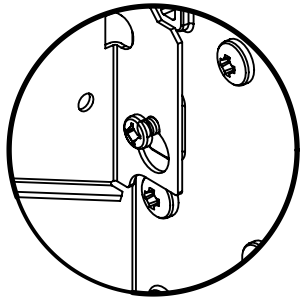
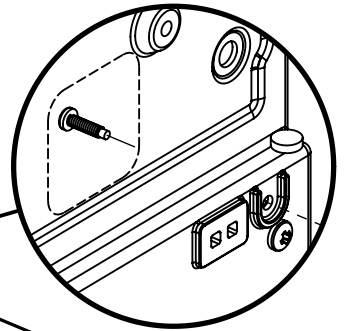
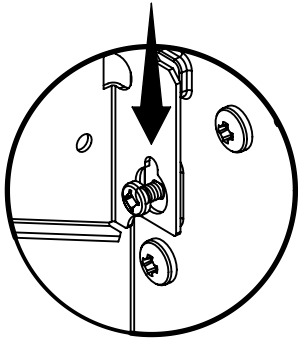
14

(2) 

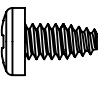
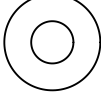


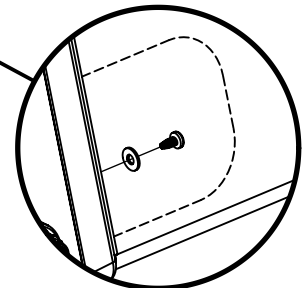
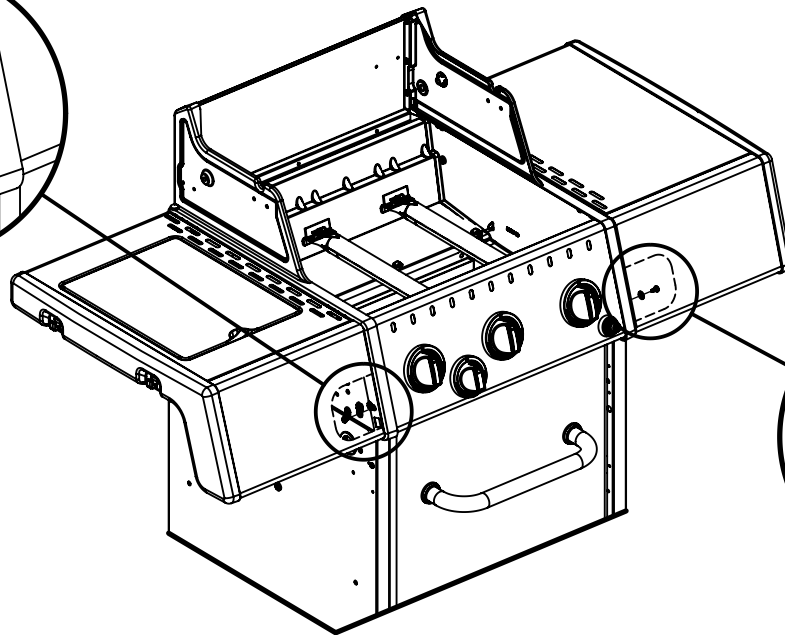
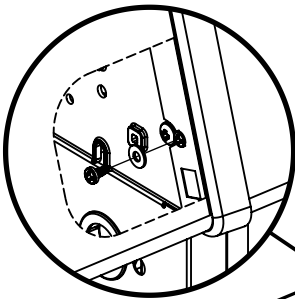
15

(2) 

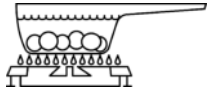


16

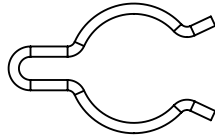
(2)  (2) 



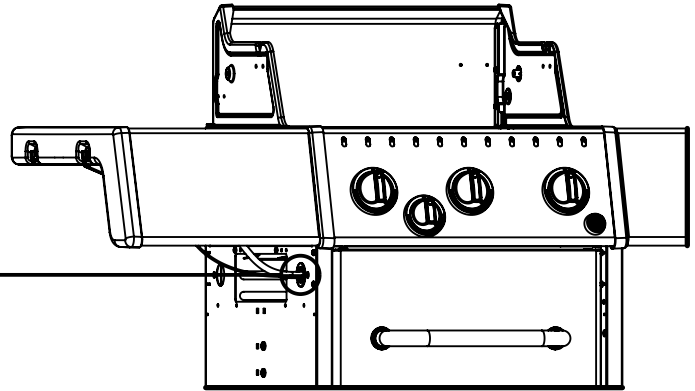
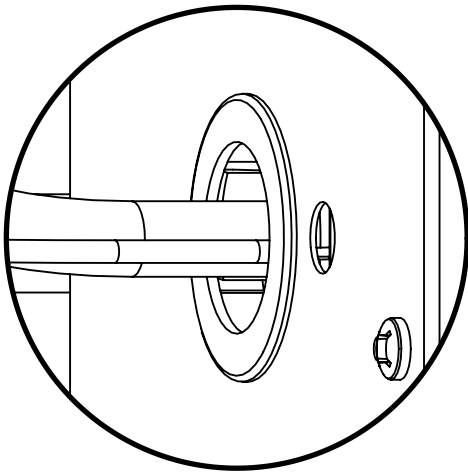
17



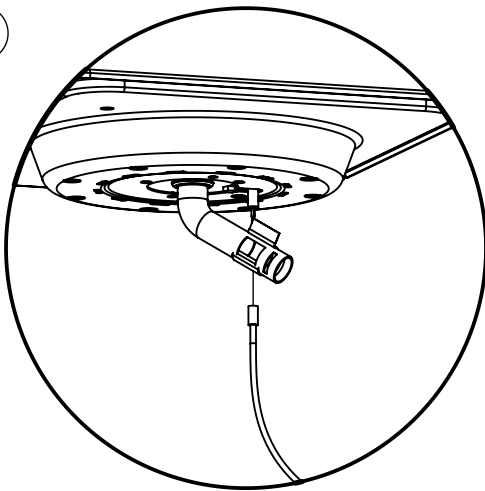
(1)



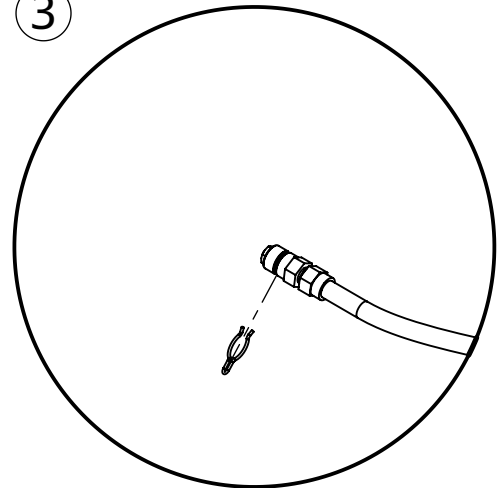
1



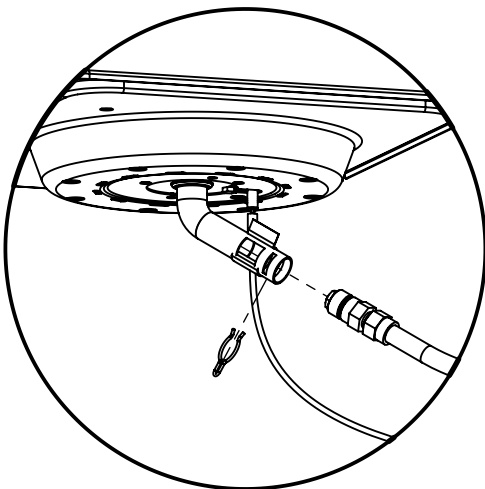
2



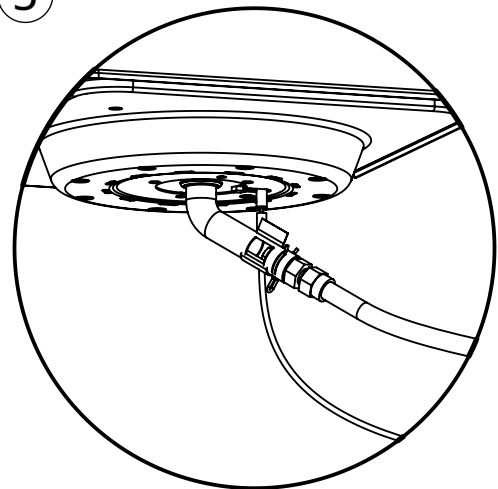
3



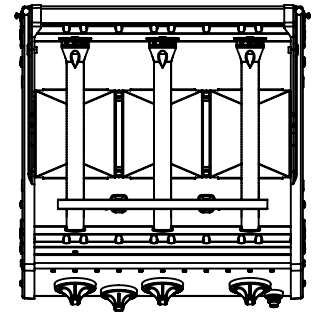
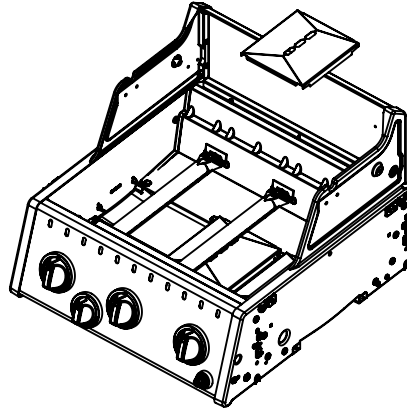
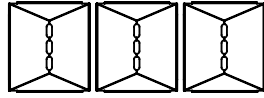
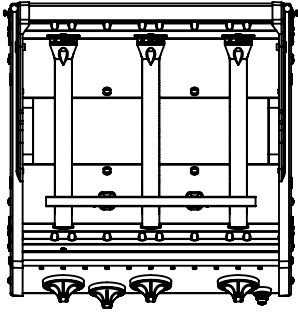
4



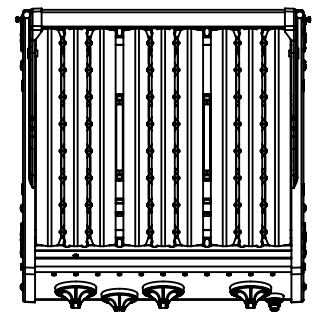
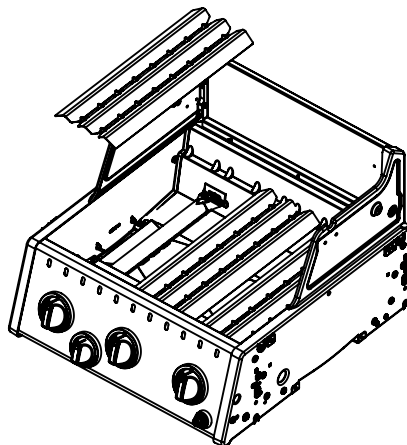
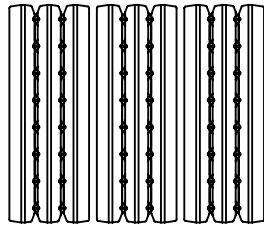
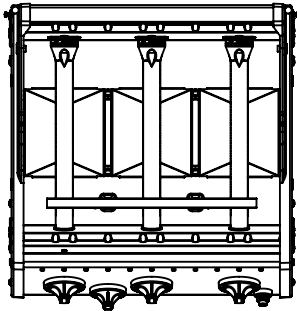
5



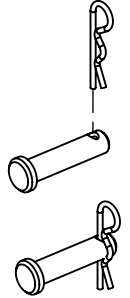
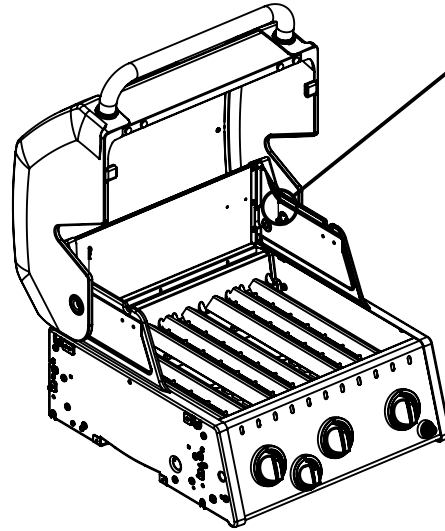
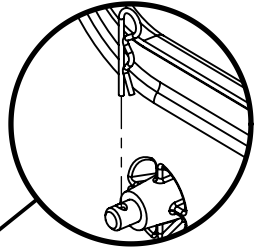
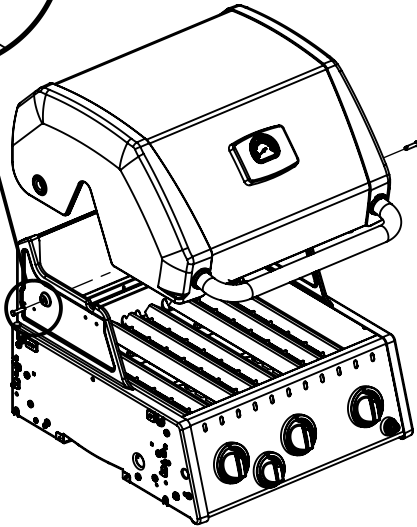
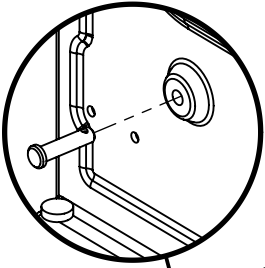
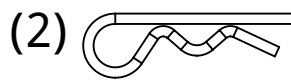
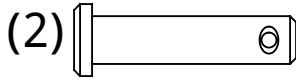
18



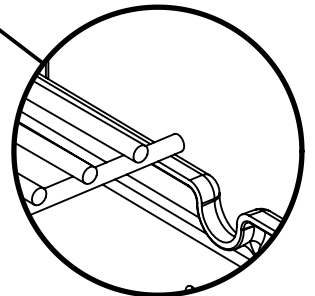
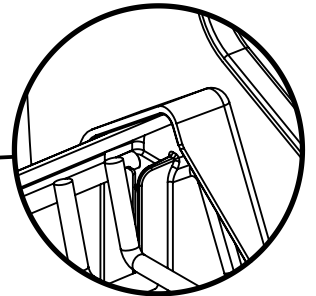
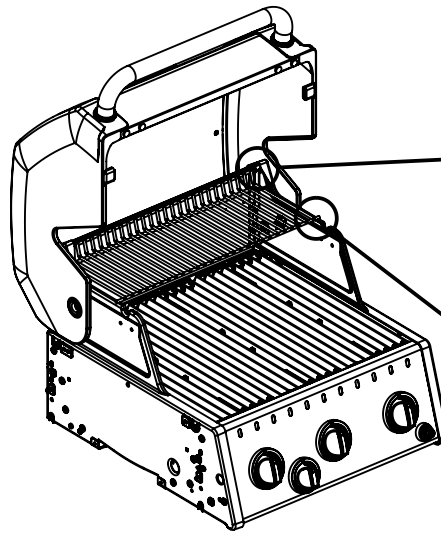
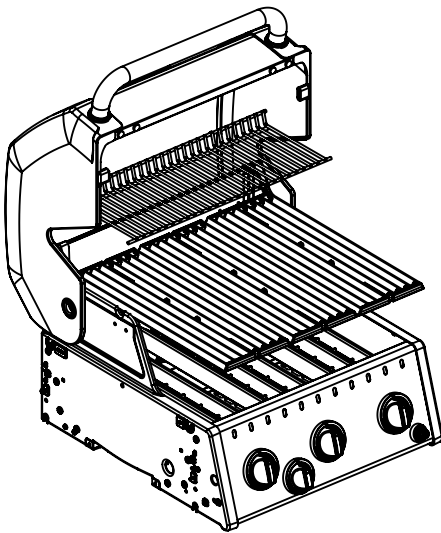
19



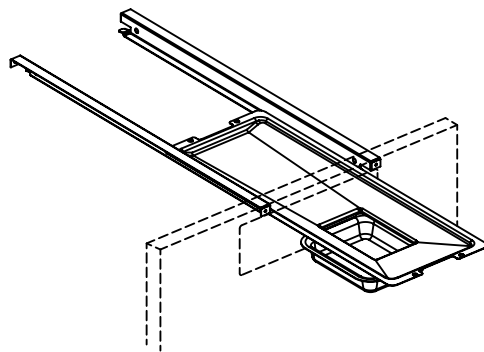
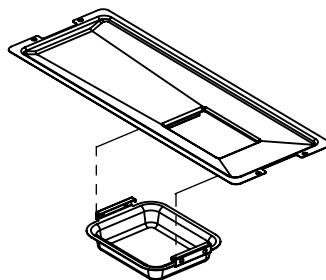
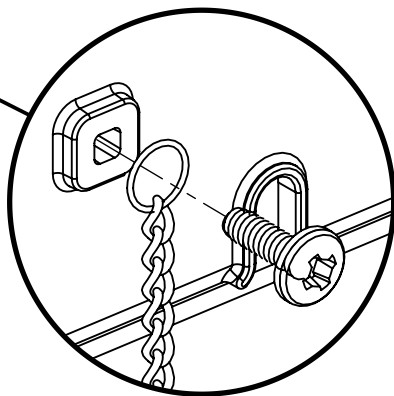
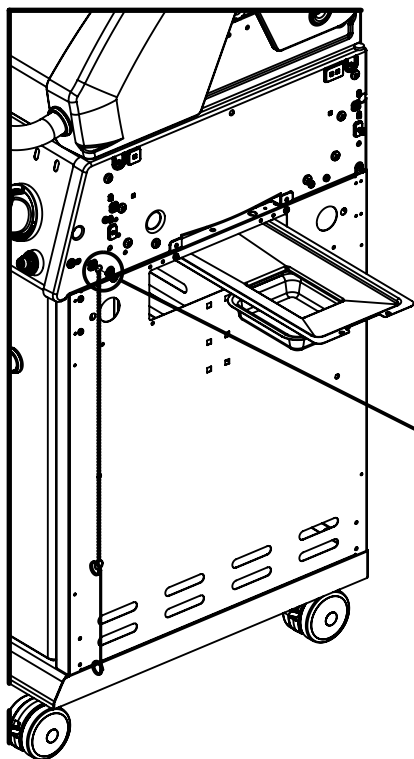
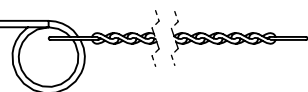
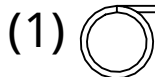
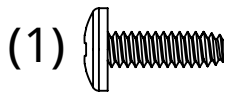
20



21



22



23

