

Broil King®



9811-62



9811-63



9811-52



9811-53



SINCE 1906

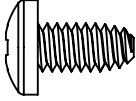
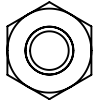

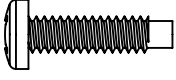
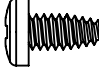
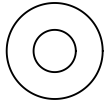
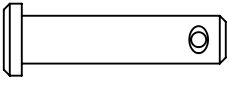
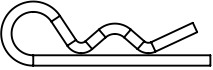
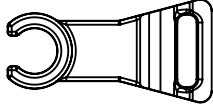
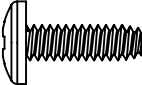
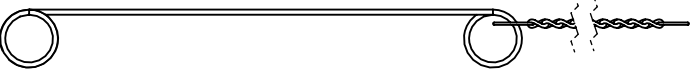
MANUFACTURING COMPANY

1000 EAST MARKET STREET
HUNTINGTON, INDIANA, 46750, USA



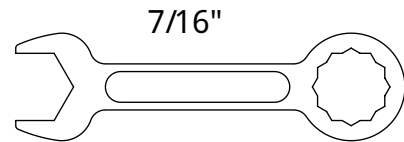
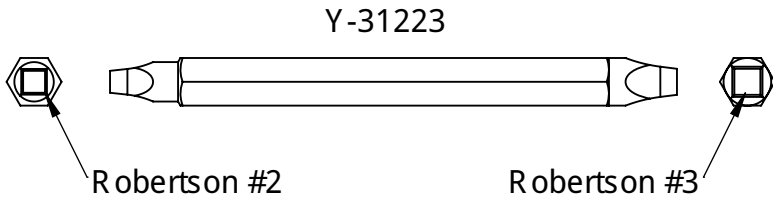
HARDWARE INCLUDED



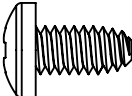
Y-12865		x26	Y-11793		x4	S21125		x8
Y-29310		x6	Y-29304		x4	Y-12870		x2
S21235		x2	S21233		x2	Y-12127		x1
S35094		x1	20005-000					x1

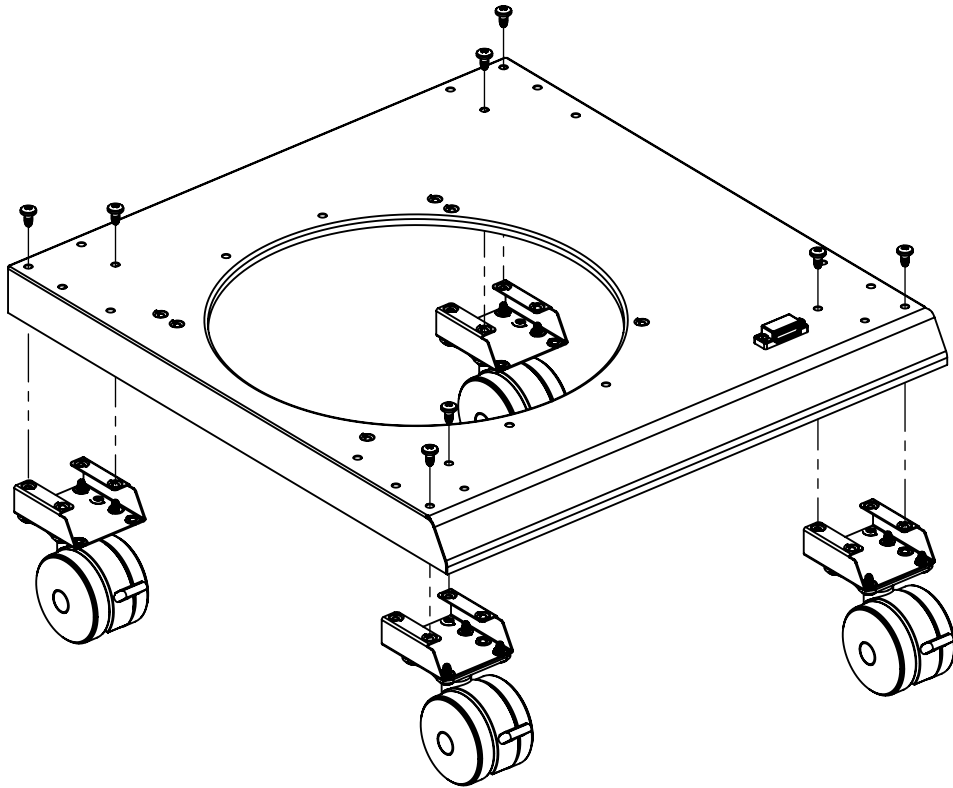


TOOLS REQUIRED

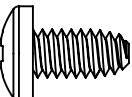
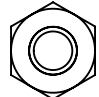


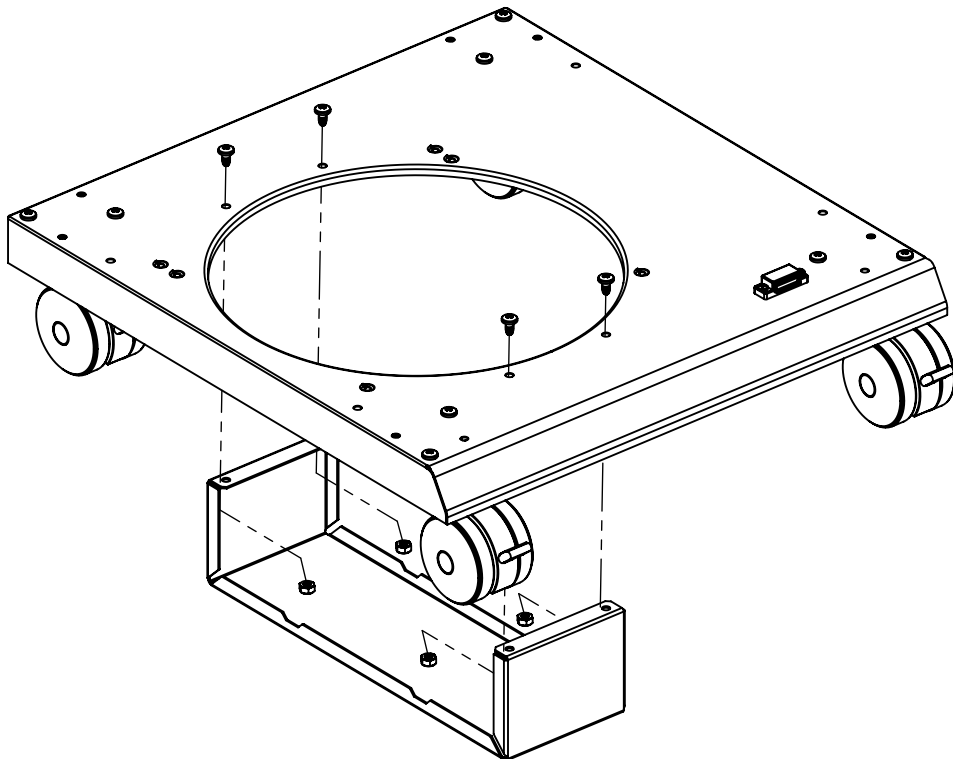
1

(8) 

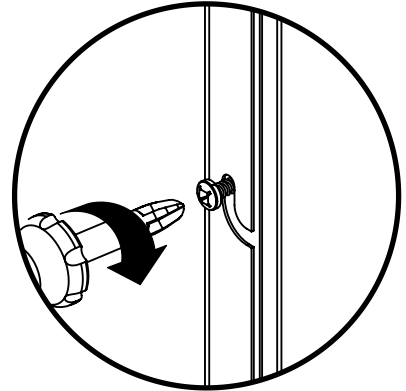
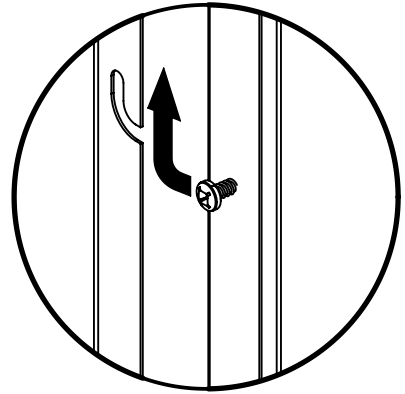
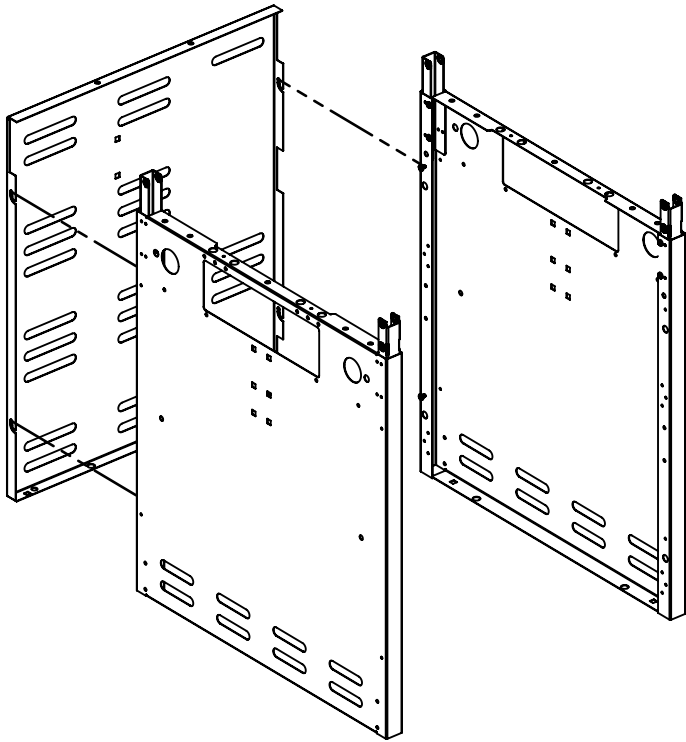


2

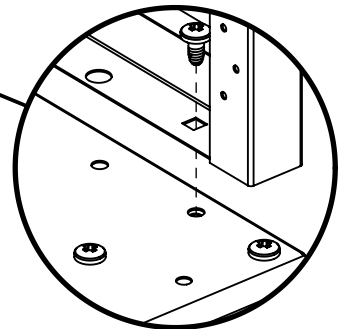
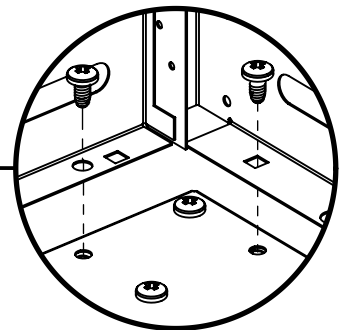
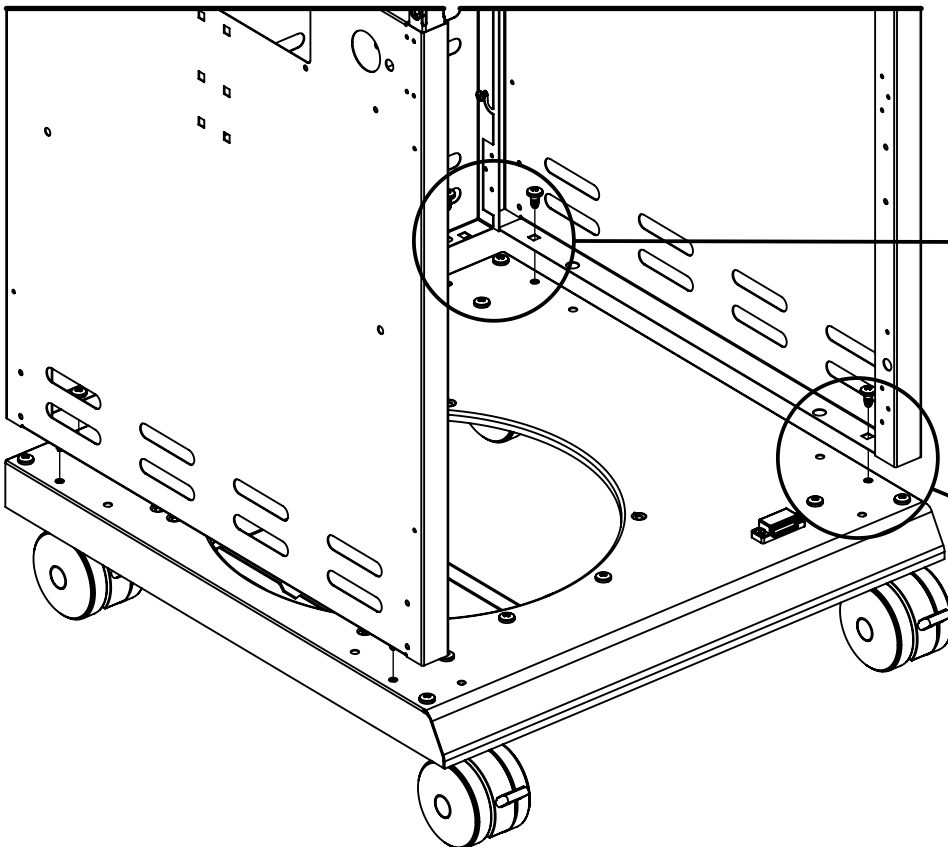
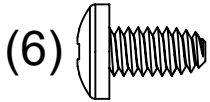
(4)  (4) 




3

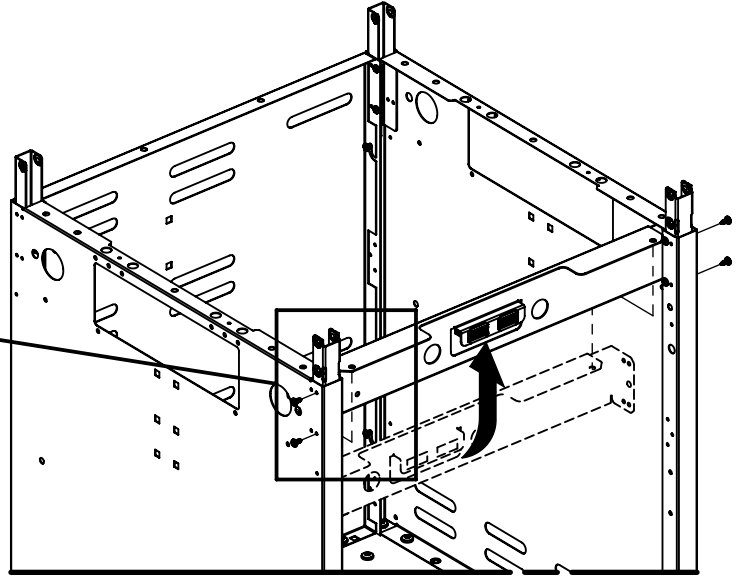
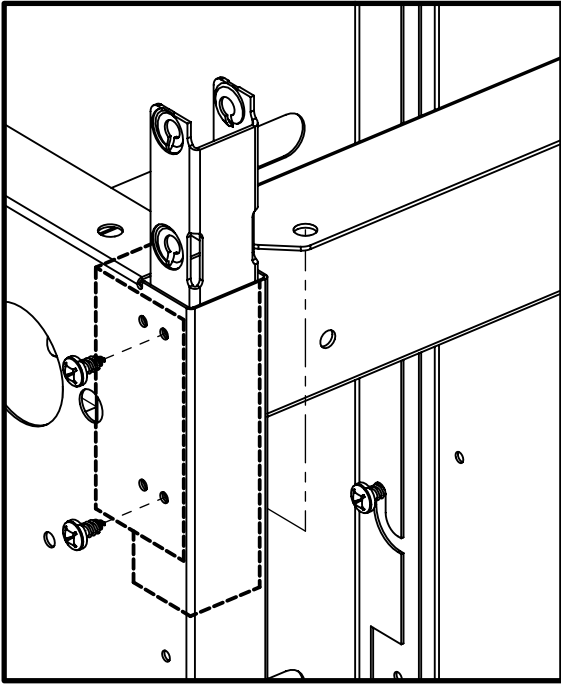


4




5

(4) 



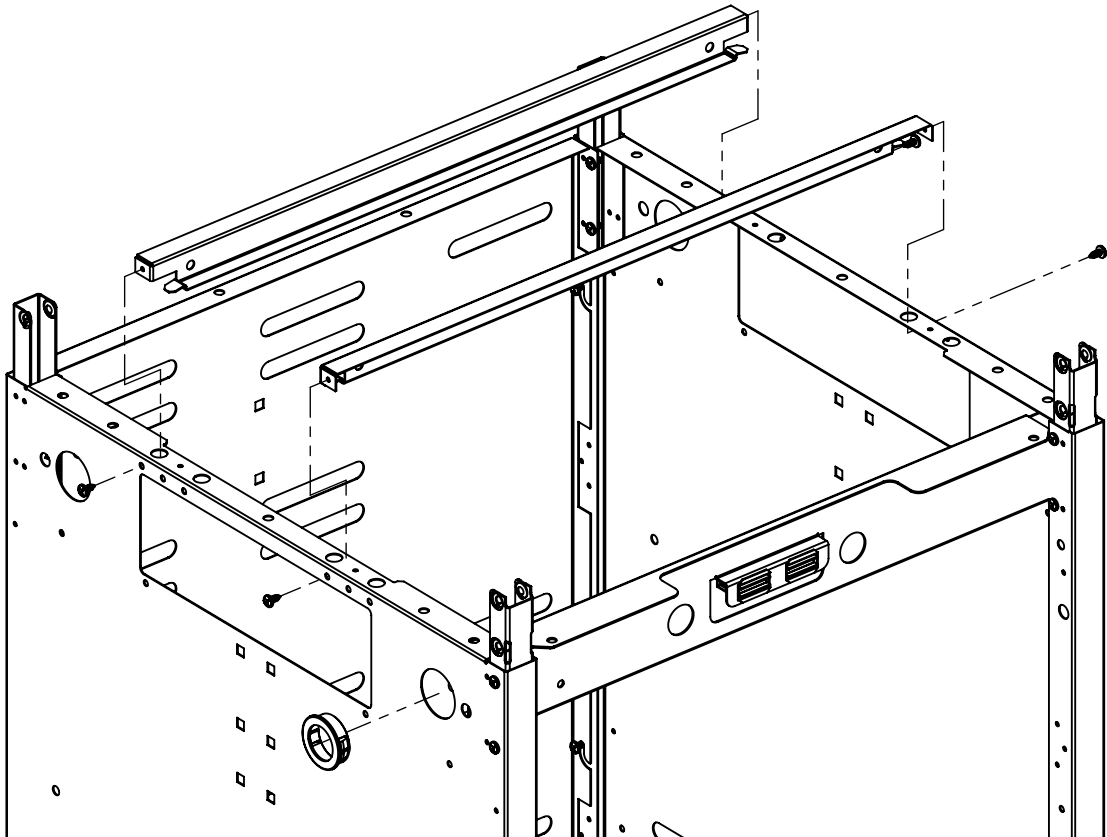
6

(4) 

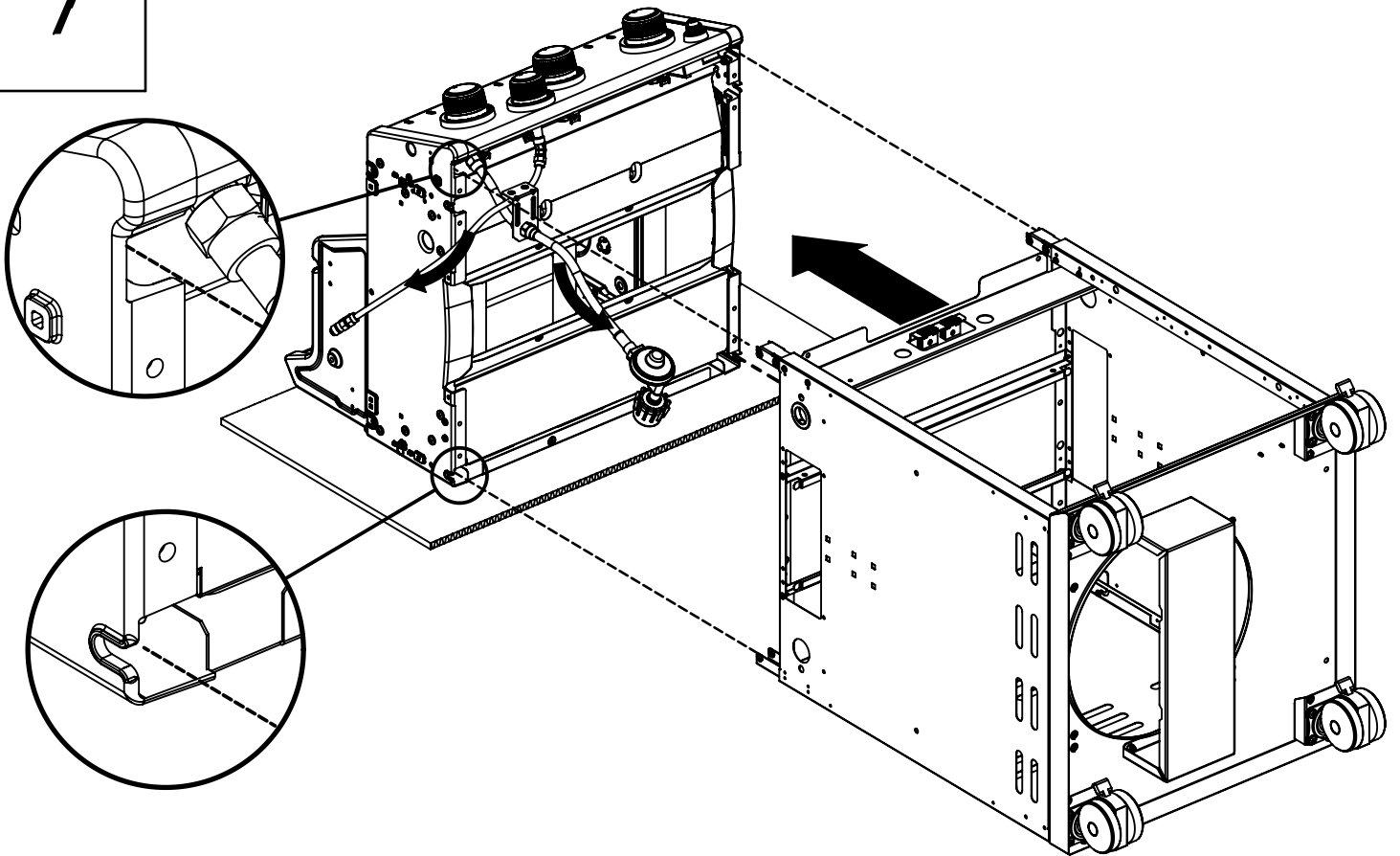
(1)



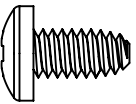
[9811-62, 9811-63]

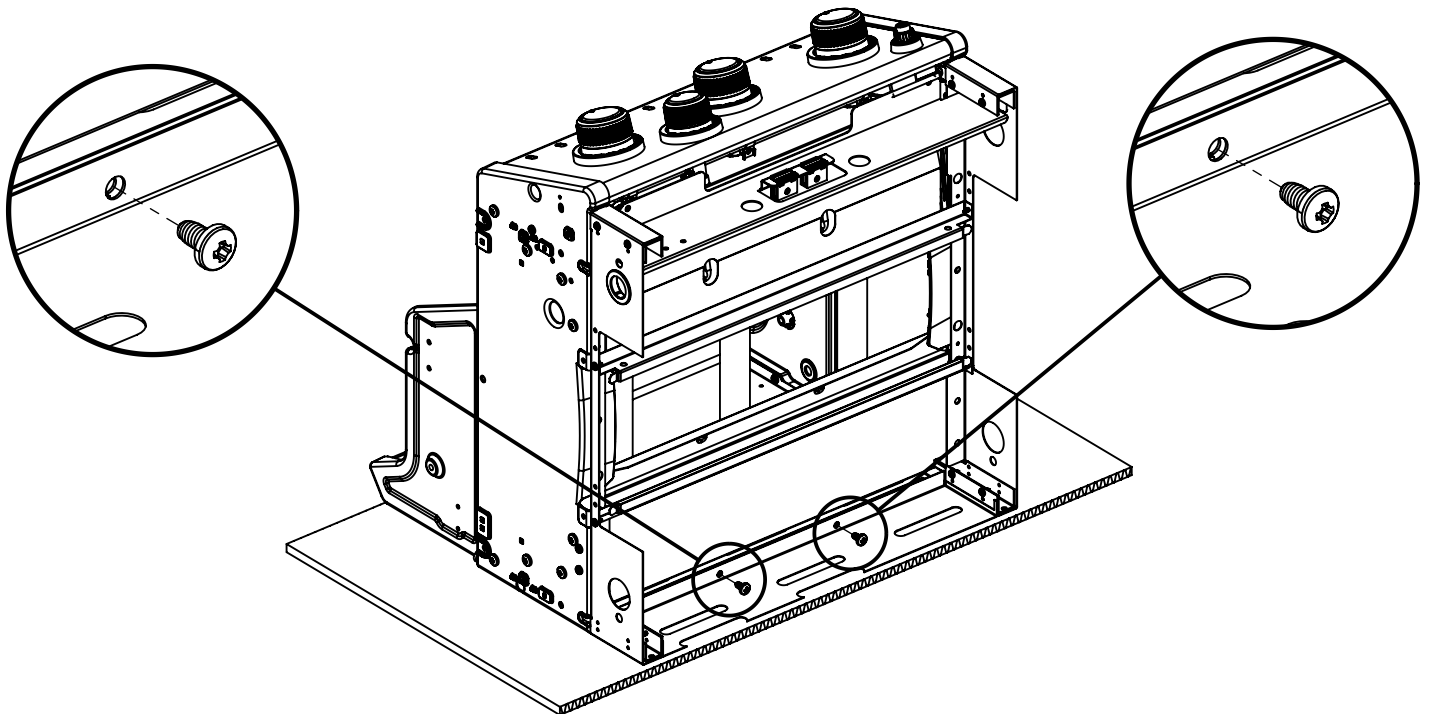


7



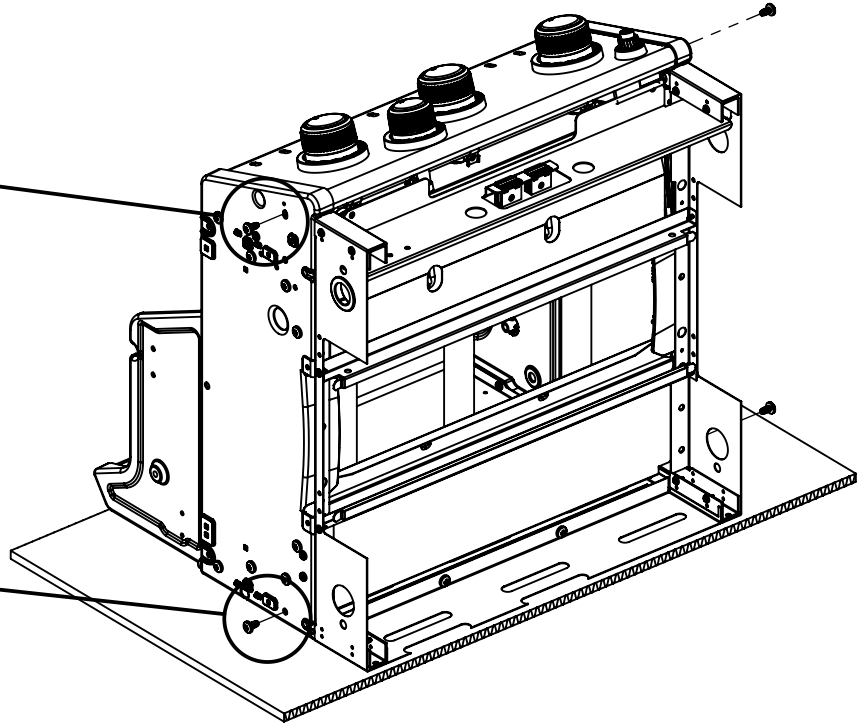
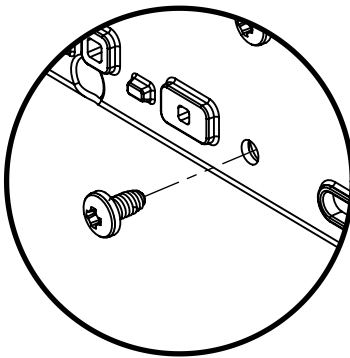
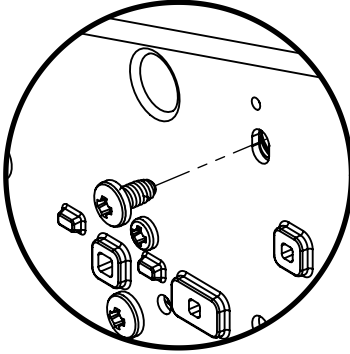
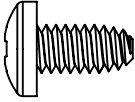
8

(2) 



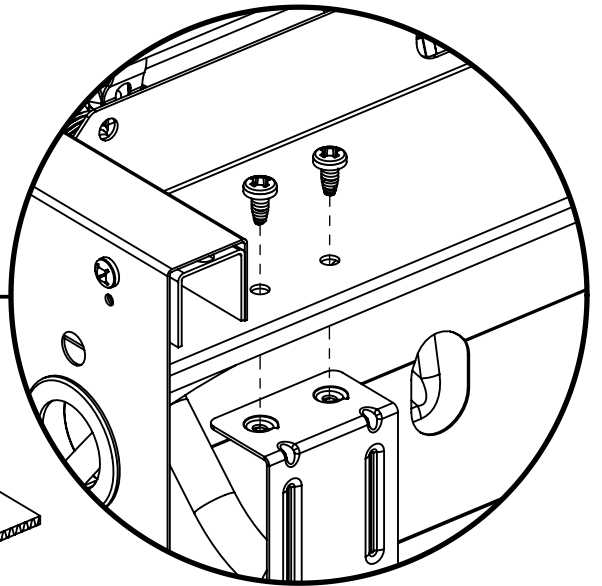
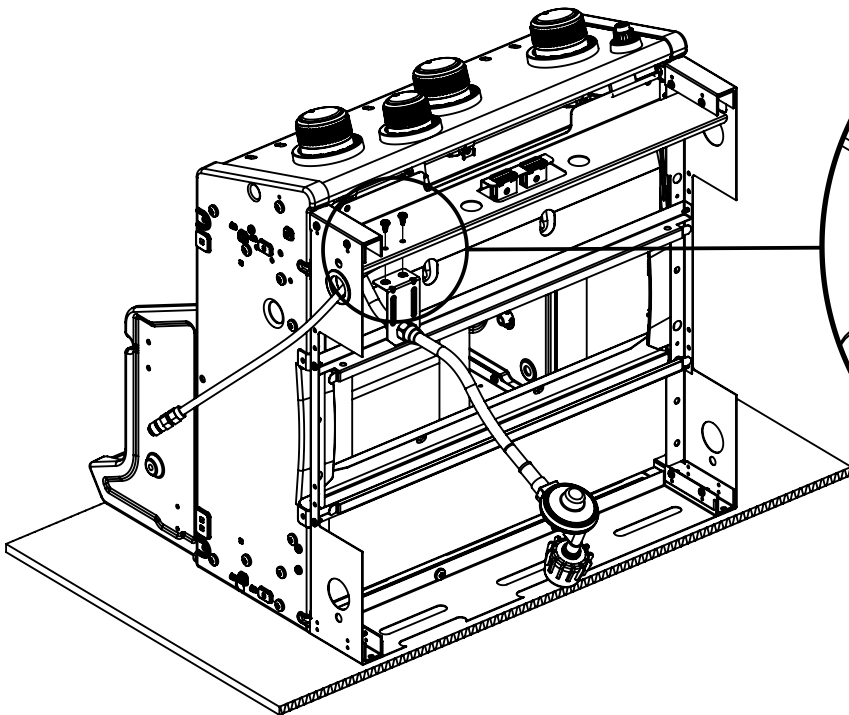
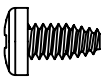
9

(4)



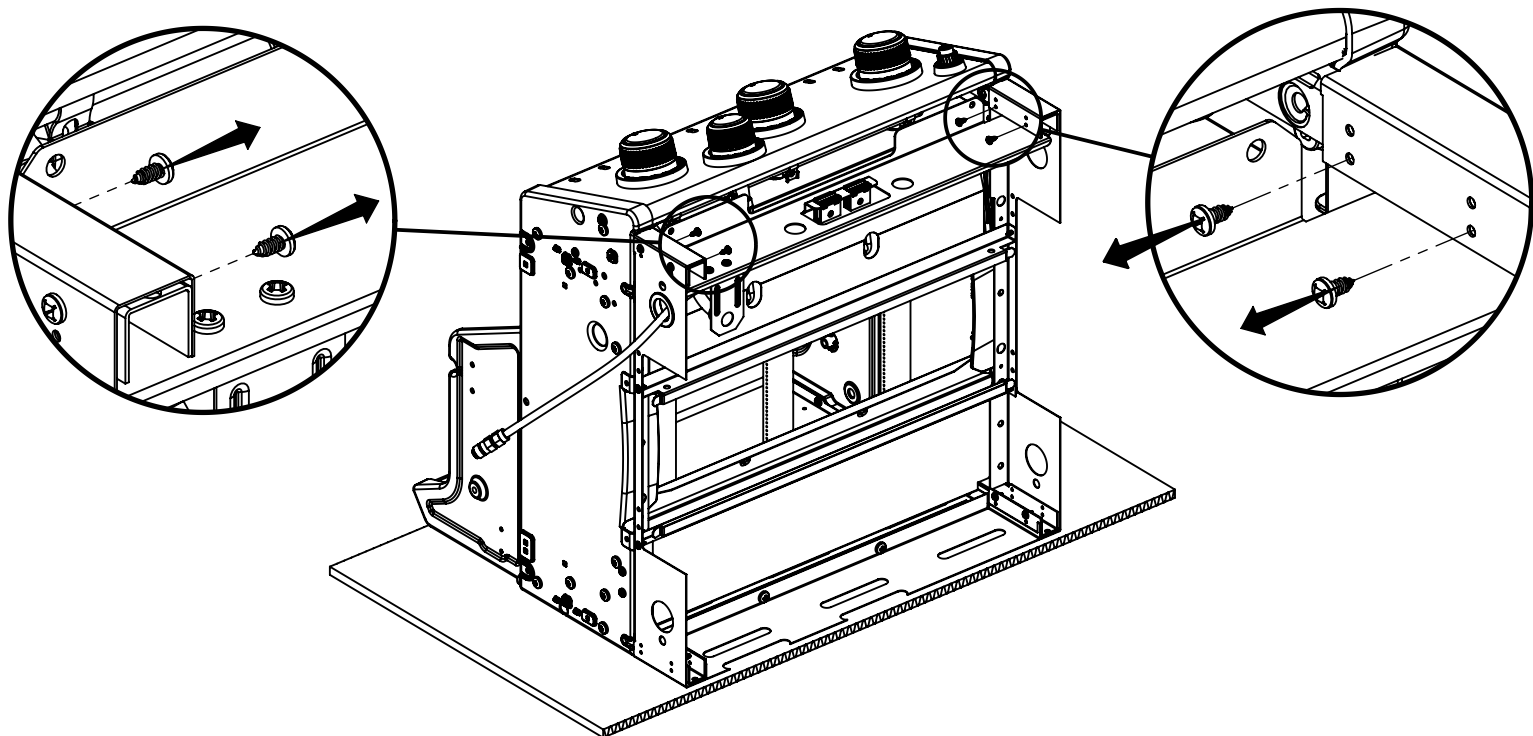
10

(2)



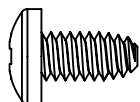
11

(4)

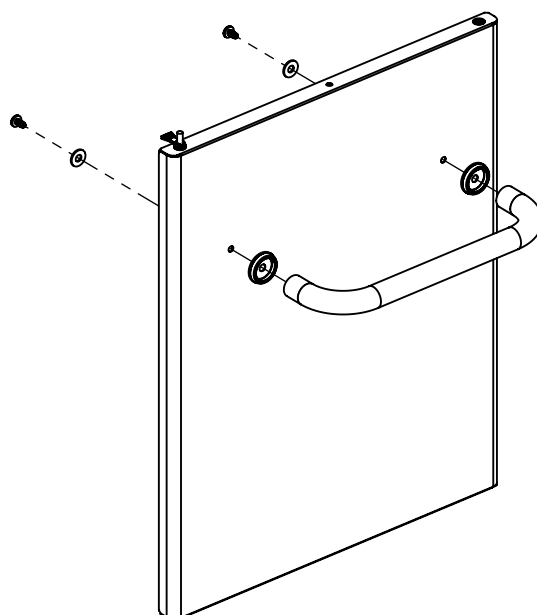
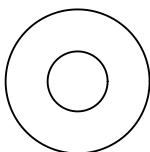


12

(2)

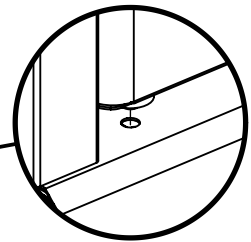
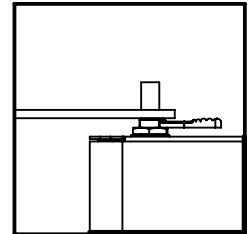
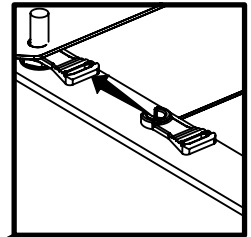
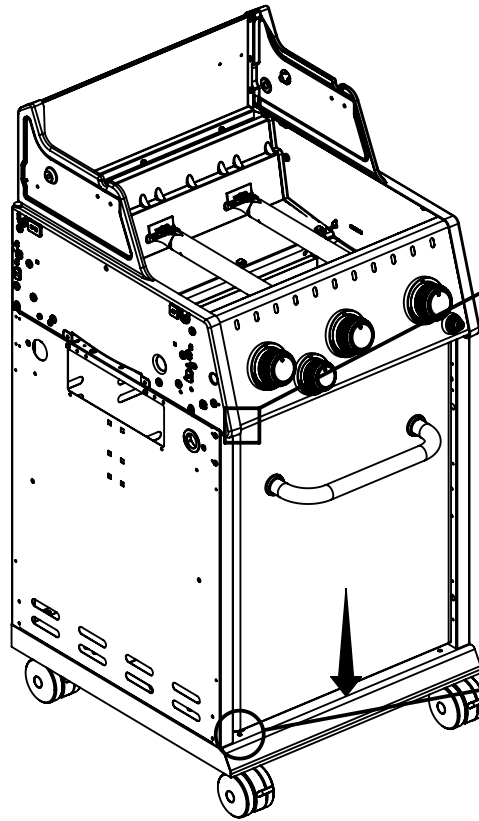
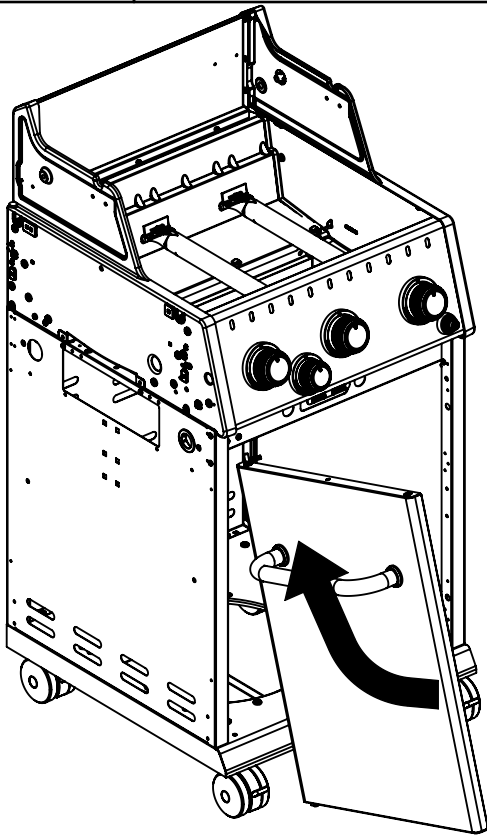
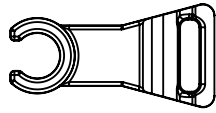


(2)



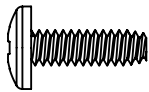
13

(1)

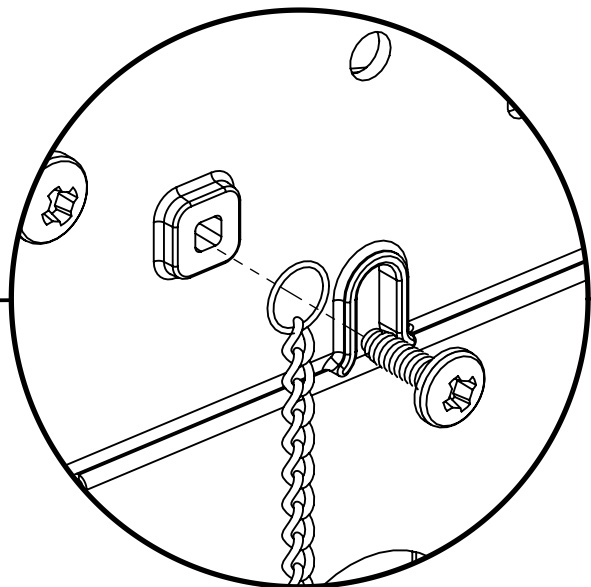
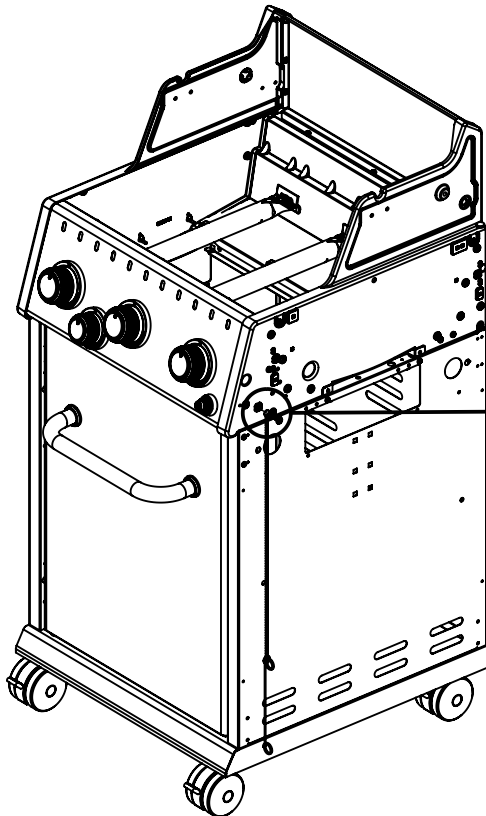
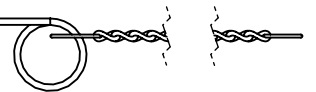


14


(1)

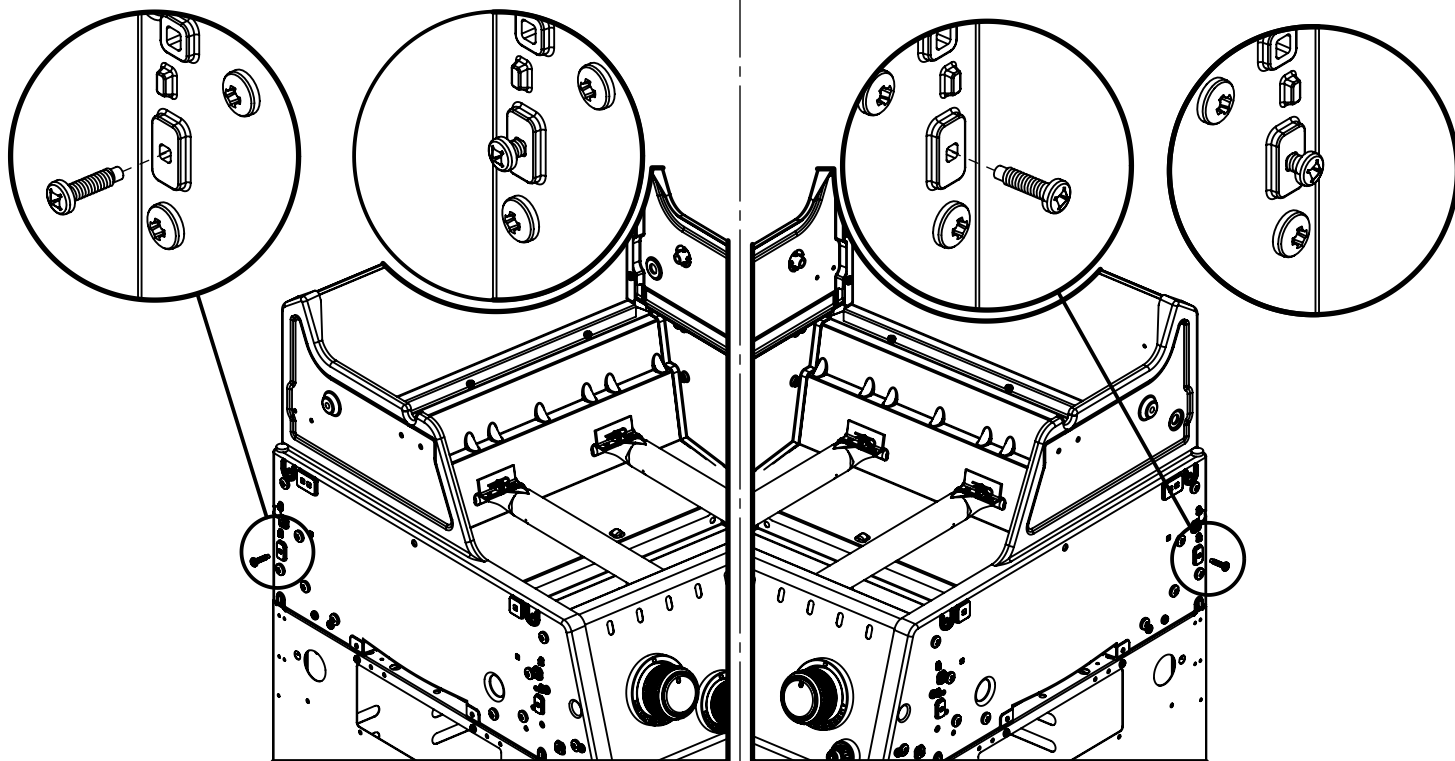


(1)

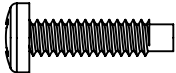


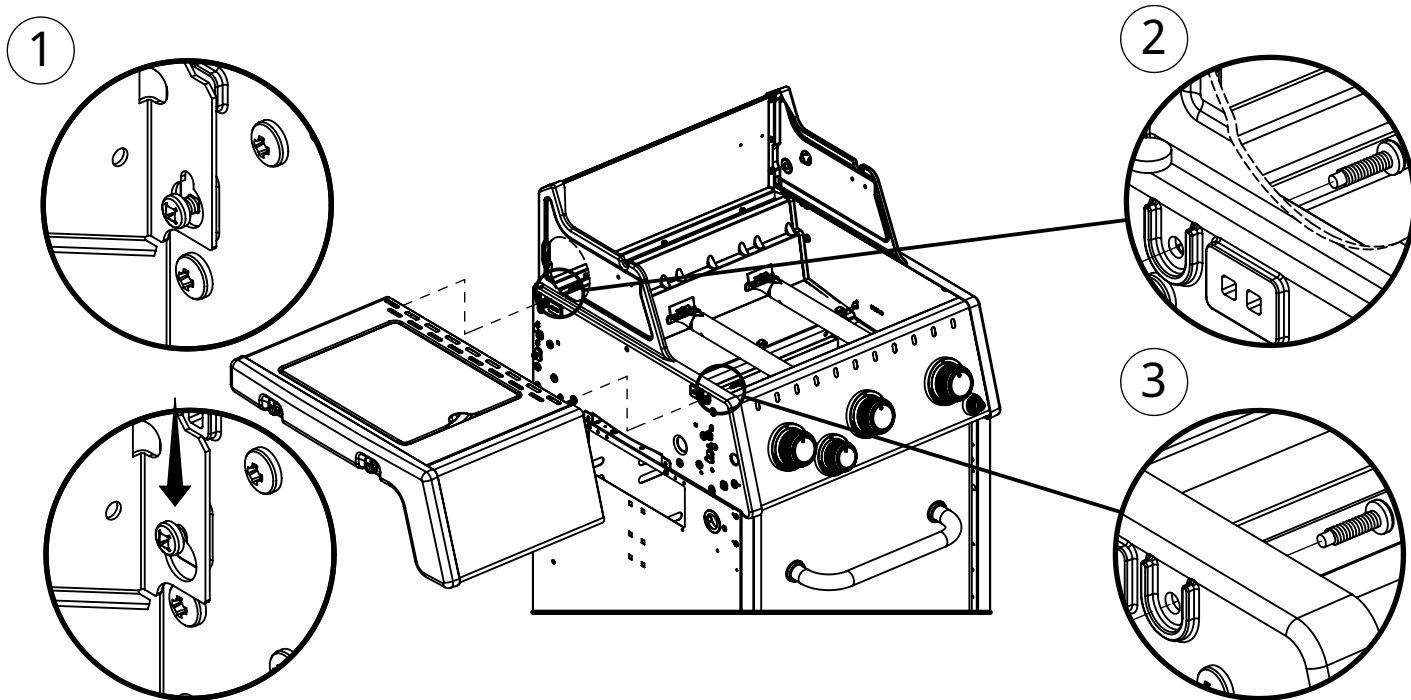
15

(2) 




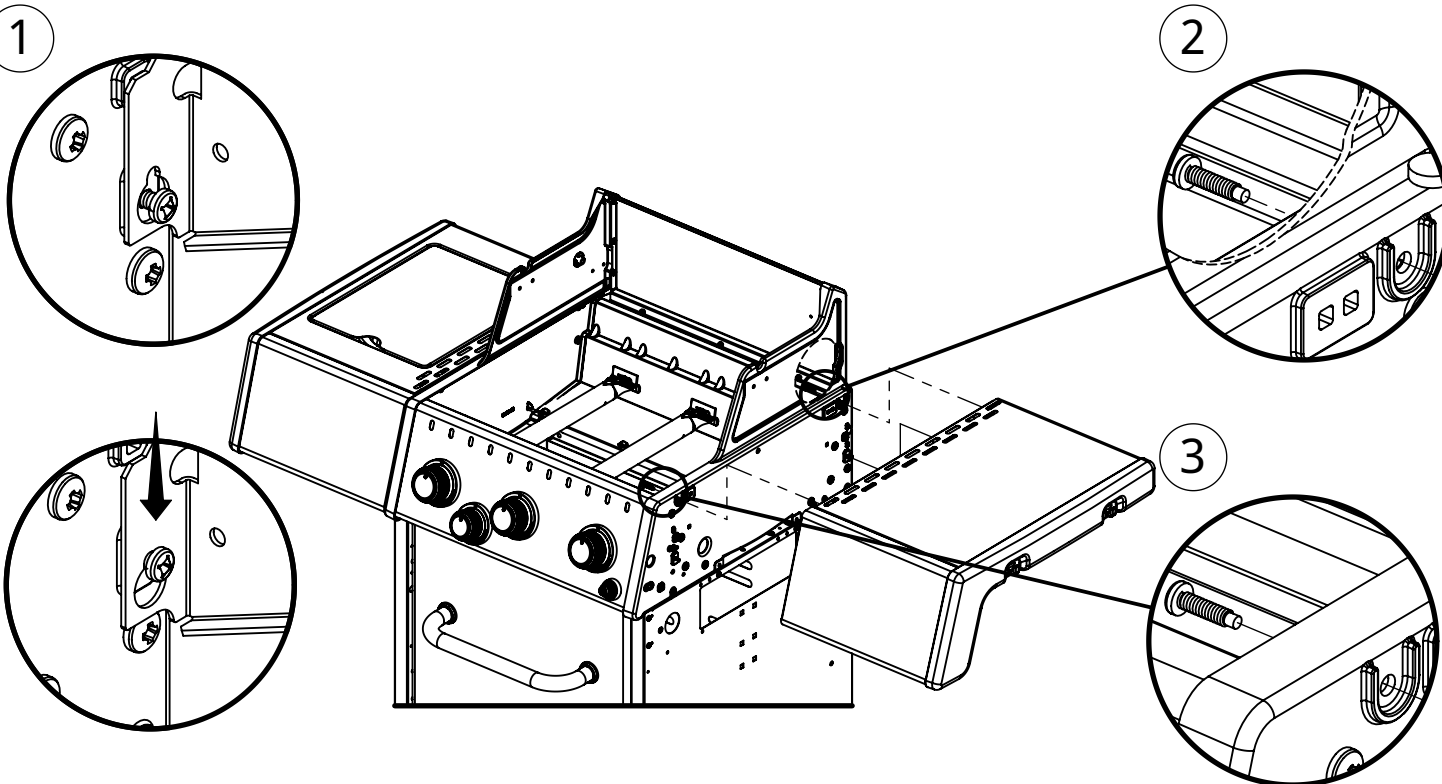
16

(2) 

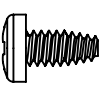
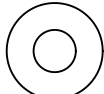


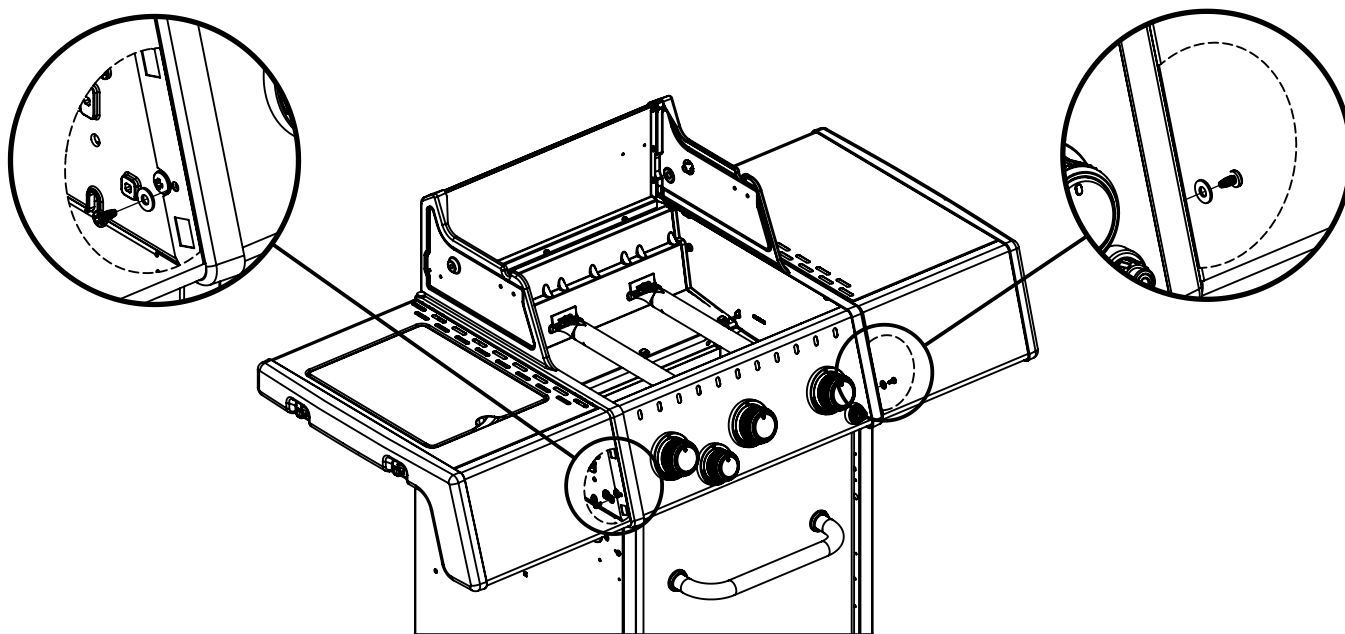
17

(2) 



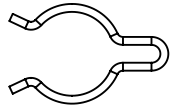
18

(2)  (2) 



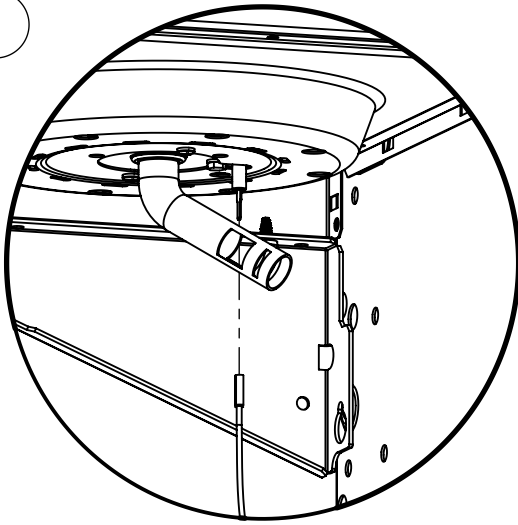
19

(1)

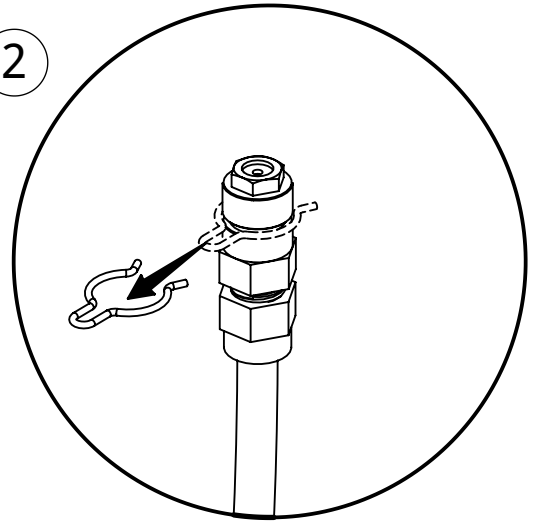


[9811-62, 9811-63]

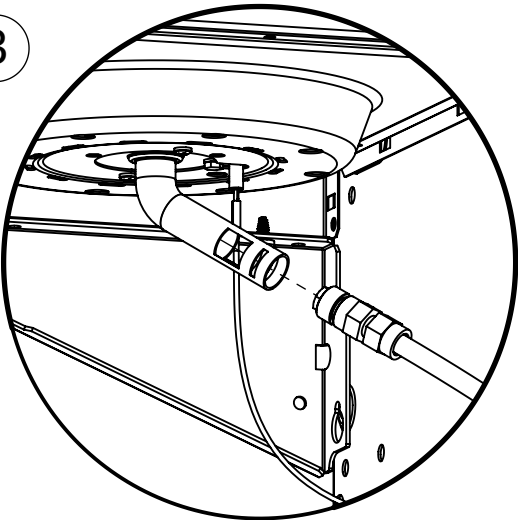
1



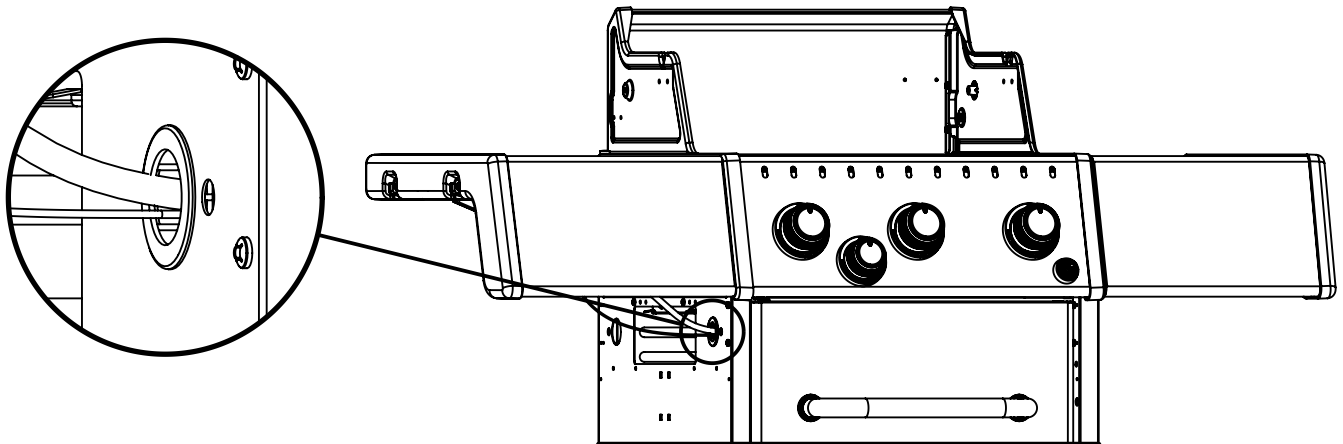
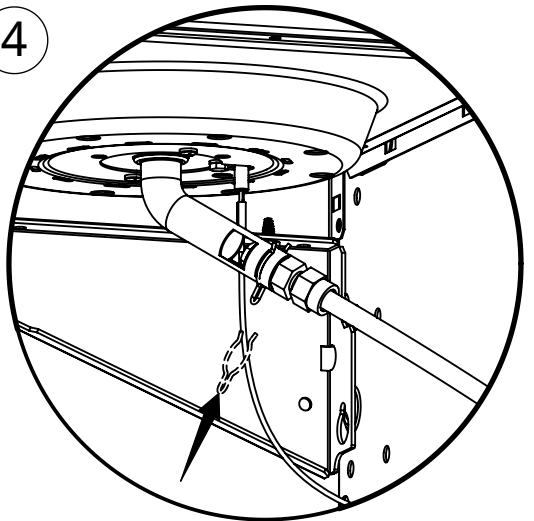
2

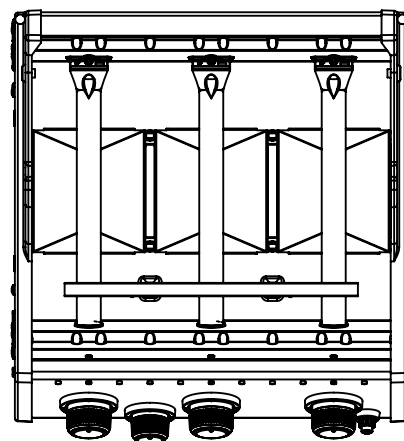
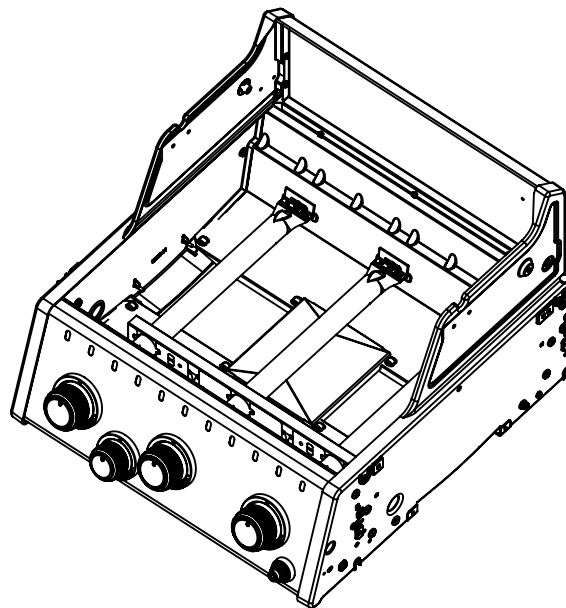
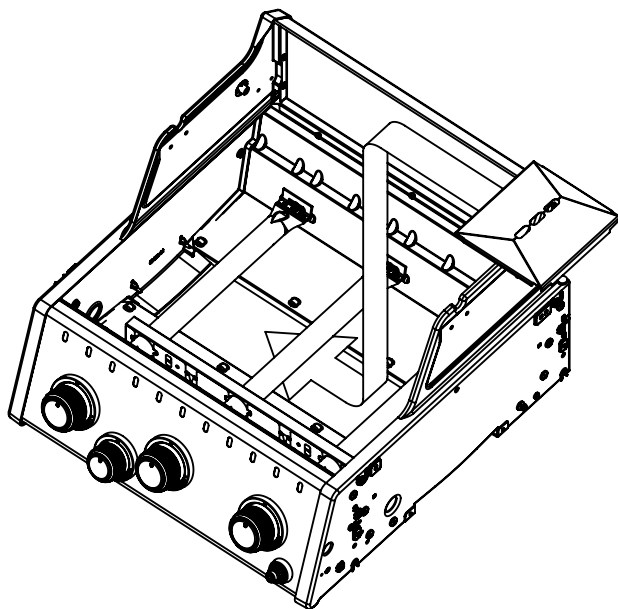
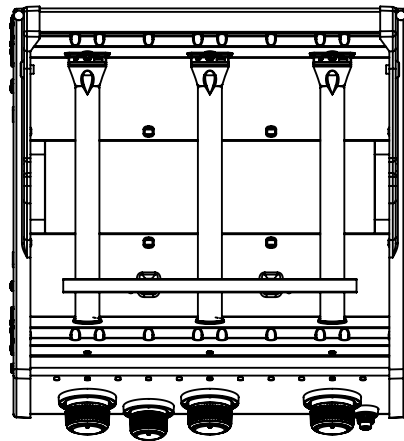
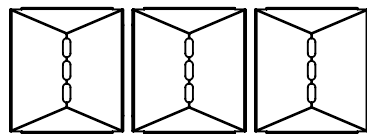


3

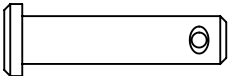
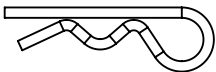


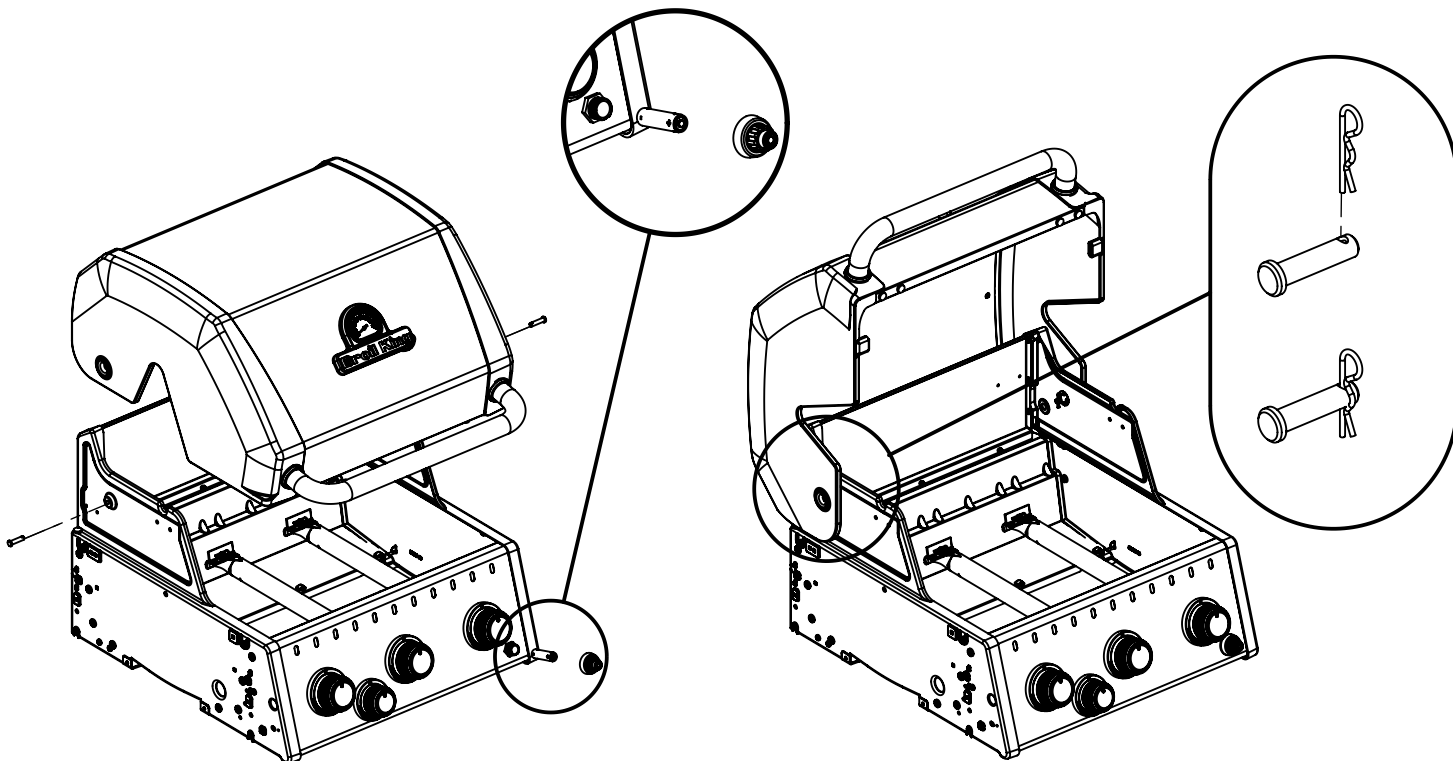
4



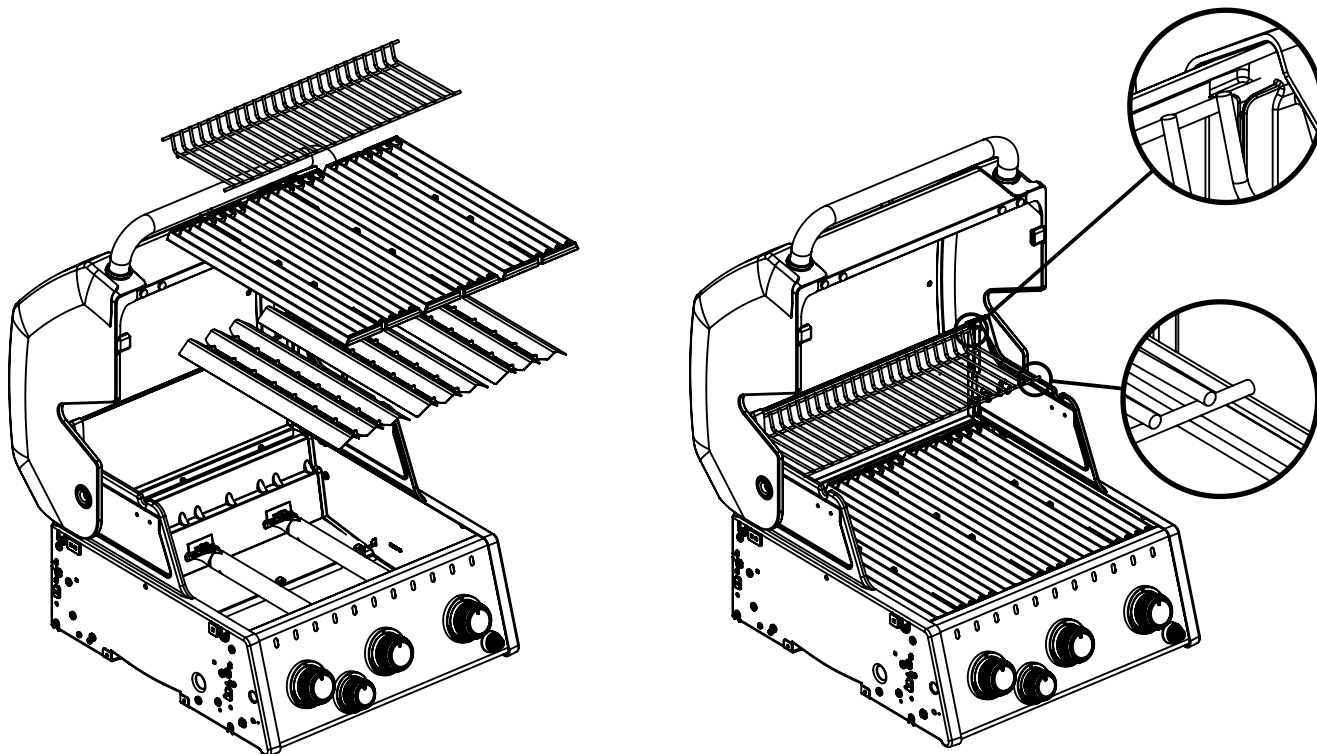


21

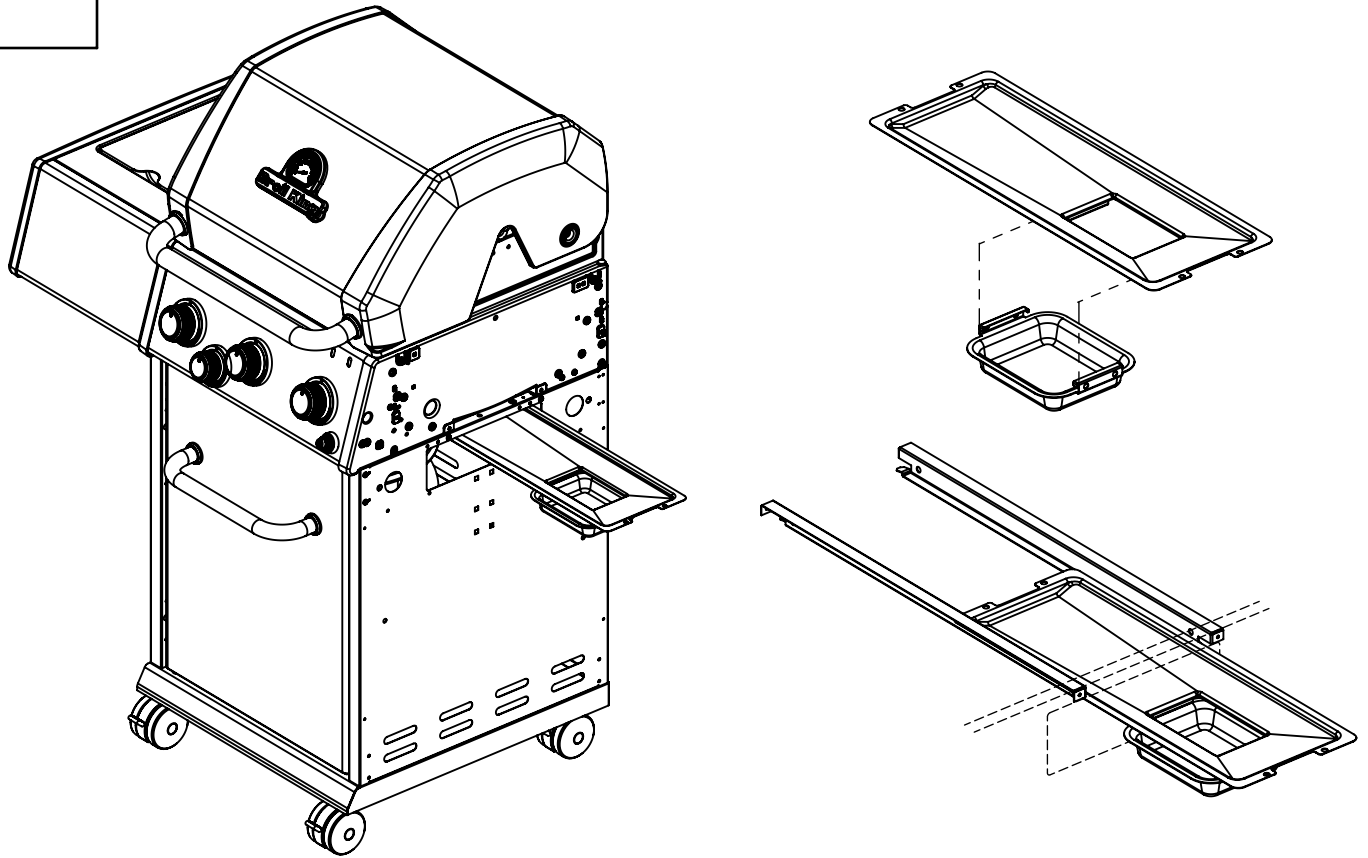
(2)  (2) 



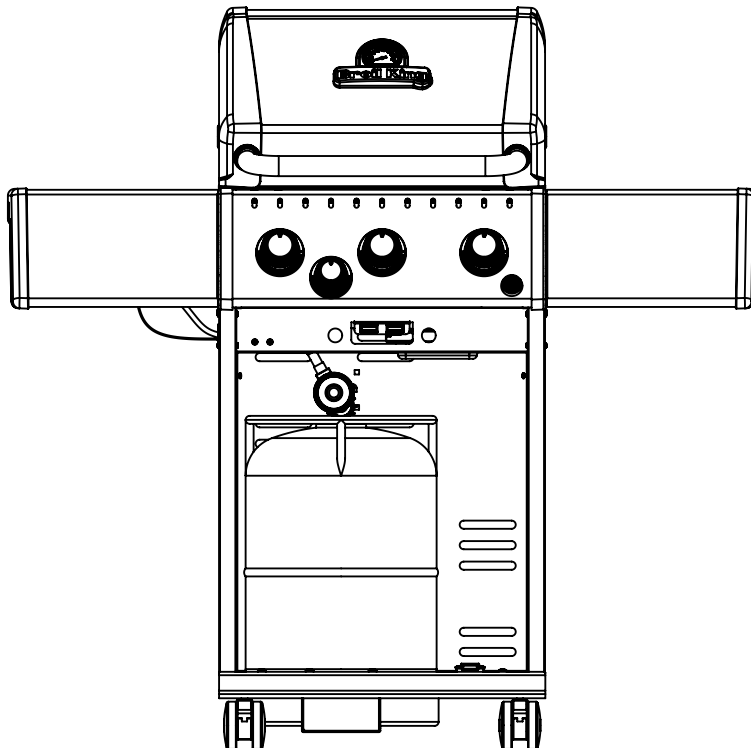
22



23



24



KEY #	ITEM #	DESCRIPTION	9811-52	9811-53	9811-62	9811-62	KEY #	ITEM #	DESCRIPTION	9811-52	9811-53	9811-62	9811-63
1	56004-801	LID	1	1	1	1	66	21039-301	TANK BRACKET	1	1	1	1
4	10081-BK630	NAMEPLATE	1	1	1	1	67	51334-211	MAGNET BRACKET	1	1	1	1
5	10571-6	HEAT INDICATOR	1	1	1	1	68	57139-13	CONNECTION BRACKET	4	4	4	4
7	24004-12A	HANDLE	1	1	1	1	73	51039-951	CASTER BRACKET	4	4	4	4
8	24009-936	HANDLE BEZEL	2	2	2	2	74	10892-23	CASTER	4	4	4	4
10	52004-274	FIREBOX	1	1	1	1	80	53001-011A	SIDE SHELF	1	1	1	1
15	52224-024A	COLLECTOR BOX	1	1	1	1	81	53001-013A	SIDE SHELF	1	1	•	•
17	27249-904	GREASE SHEILD	3	3	3	3	82	53001-015A	SIDE SHELF - SIDE BURNER	•	•	1	1
19	10342-E13	ELECTRODE	2	2	2	2	86	10390-E10D	SIDE BURNER	•	•	1	•
25	52904-144D	BURNER - MAIN	3	•	3	3		10390-E10E		•	•	•	1
	52904-144E		•	3	•	3		10390-E10NGE		•	•	•	•
	52904-144NGE		•	•	•	•	87	53004-271	SIDE BURNER - BODY	•	•	1	1
28	52023-244	CONTROL COVER	•	•	1	1	88	53000-251	SIDE BURNER - COVER	•	•	1	1
	52023-124		1	1	•	•	89	63139-981	SIDE BURNER GRID	•	•	1	1
29	59004-012	CONTROL ASSEMBLY	1	•	•	•	92	10342-T21	SIDE BURNER ELECTRODE	•	•	1	1
	59004-013		•	1	•	•	100	Y-12220	GROMMET	•	•	1	1
	59004-016		•	•	•	•	125	Y-12835	SCREW - #6 X 1/4	•	•	2	2
	59004-032		•	•	1	•	127	S21125	SCREW - #8 X 3/8	12	12	12	12
	59004-033		•	•	•	•	129	S21123	SCREW - #8 X 1/2	4	4	4	4
	59004-036		•	•	•	•	131	S21136	SCREW - #8-32 X 1/2	8	8	8	8
30	S13473-073	HOSE - SIDE BURNER	•	•	1	•	133	Y-12646	SCREW - SHOULDER #8 X 1/2	•	•	2	2
	S13473-079		•	•	•	1	134	Y-29304	SCREW - #10-24 X 3/8	4	4	4	4
	S13473-118		•	•	•	•	135	S35094	SCREW - #10-24 X 5/8	1	1	1	1
32	10111-15A	HOSE	1	1	1	1	136	Y-29310	SCREW - #10-24 X 3/4	6	6	6	6
38	22002-268	CONTROL BEZEL	3	3	3	3	140	Y-12865	SCREW - 1/4-20 X 1/2	36	36	36	36
39	22001-168	CONTROL BEZEL	•	•	1	1	142	Y-12860	SCREW - 1/4-20 X 1	2	2	2	2
40	22001-768	CONTROL KNOB	3	•	3	•	151	Y-11793	NUT - 1/4-20	4	4	4	4
	10472-K431		•	3	•	3	160	Y-12857	WASHER	2	2	2	2
41	22001-668	CONTROL KNOB	•	•	1	•	161	Y-12870	WASHER	2	2	2	2
	10472-K231		•	•	•	1	169	Y-11230	SIDE BURNER - RETAINER CLIP	•	•	1	1
42	10342-245	ELECTRONIC IGNITOR	1	1	•	•	170	S21235	HINGE PIN	2	2	2	2
	10342-246		•	•	1	1	171	S21233	CLIP	2	2	2	2
44	52209-404	FLAV-R-WAVE ®	3	3	3	3	173	10240-19	DOOR HINGE PIN - TOP	2	2	2	2
45a	52005-281	GRID	3	3	3	3	174	10240-20	DOOR HINGE PIN - BOTTOM	2	2	2	2
45b	52002-181	GRID	•	•	•	•	175	Y-12127	DOOR CLIP	1	1	1	1
46	52004-991	GRID - WARMING RACK	1	1	1	1	176	Y-12124	DOOR HINGE COVER	2	2	2	2
47	57054-901	GREASE TRAY	1	1	1	1	177	Y-12222	MAGNET	2	2	2	2
48	21034-991	GREASE TRAY - RAIL	2	2	2	2	178	Y-12223	MAGNET - SNAP IN	2	2	2	2
49	52009-901	GREASE PAN	1	1	1	1	180	SP11-25	LID BUMPER	2	2	2	2
50	51174-131A	DOOR	1	1	1	1	181	Y-11231	LID BUMPER - ROUND	2	2	2	2
57	21106-13	DOOR HANDLE	1	1	1	1	182	Y-11235	LID BUMPER - HEX	1	1	1	1
58	21070-13	HANDLE BEZEL	2	2	2	2	184	20005-000	MATCH LIGHT CHAIN	1	1	1	1
60	21109-905	CABINET - SIDE PANEL	2	2	2	2	185	S21242	CLIP	3	3	3	3
61	21303-925	CABINET - REAR PANEL	1	1	1	1	186	Y-11544	BURNER SCREW	3	3	3	3
65	51614-235	CABINET - LOWER BASE	1	1	1	1							

