

Broil King®



Broil King

SOVEREIGN 90

9878-82

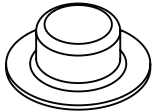
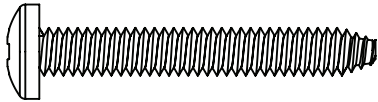

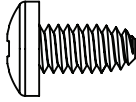
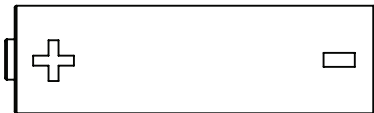
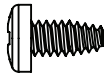

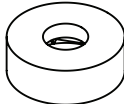
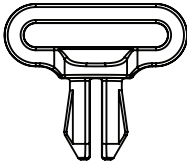


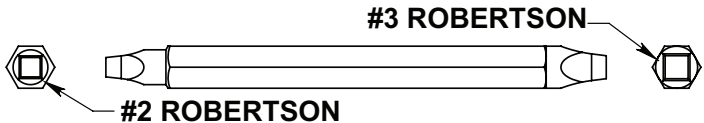
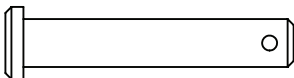

9878-83

9878-86

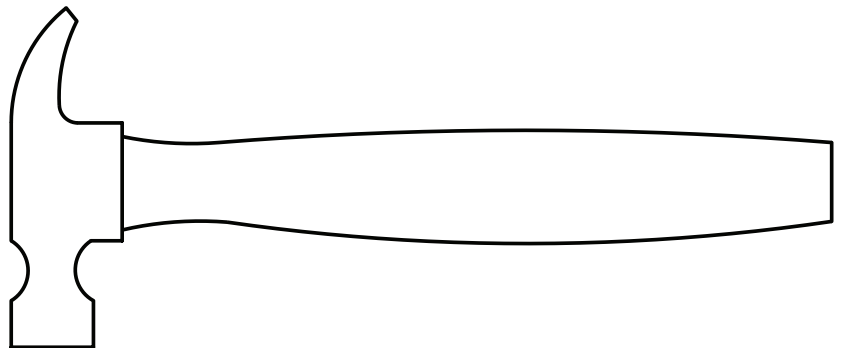
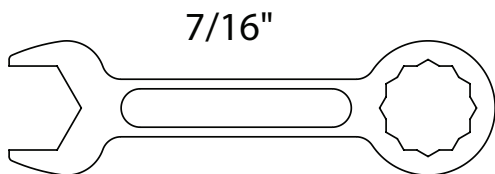
Onward
MANUFACTURING COMPANY LIMITED
SINCE 1906
585 KUMPF DRIVE
WATERLOO, ONTARIO, CANADA
N2V 1K3

10084-E48EU REV D 06/18

HARDWARE INCLUDED / MATERIAL INCLUS / EQUIPOS INCLUIDO

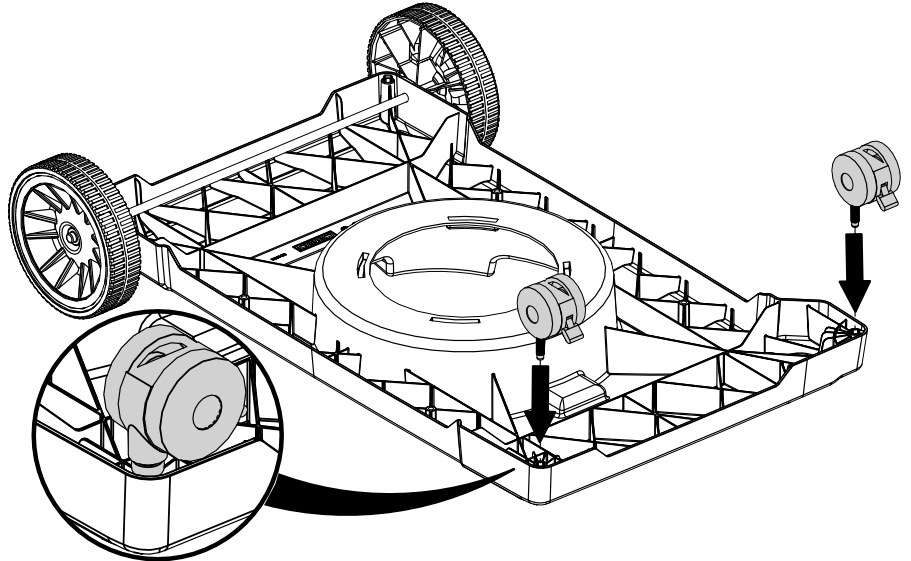
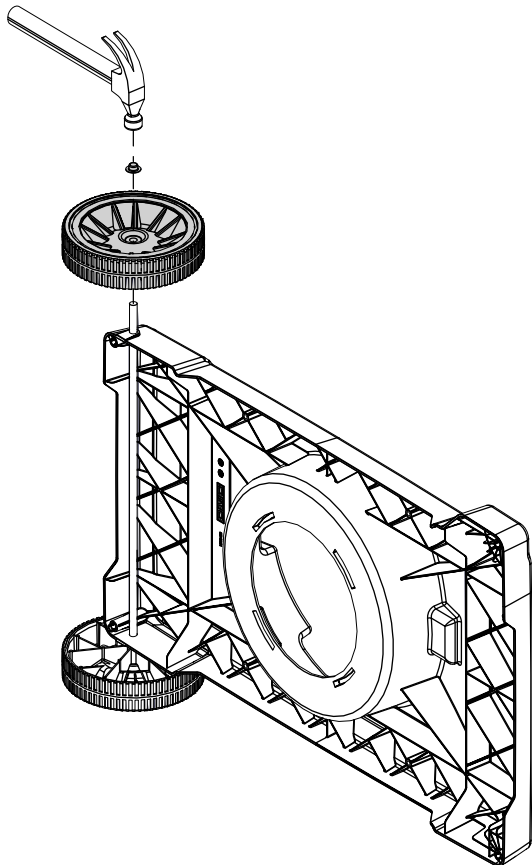
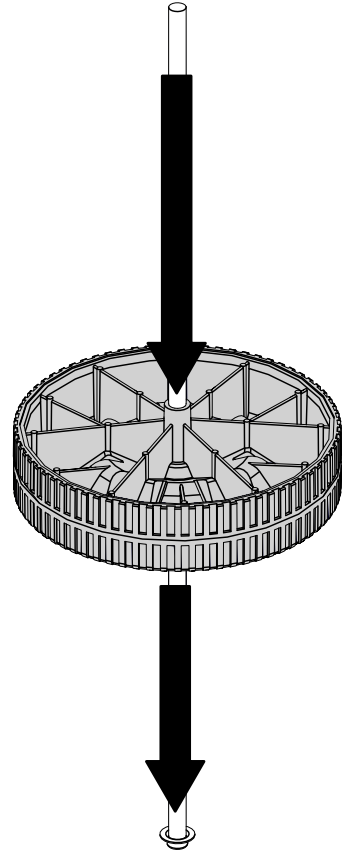
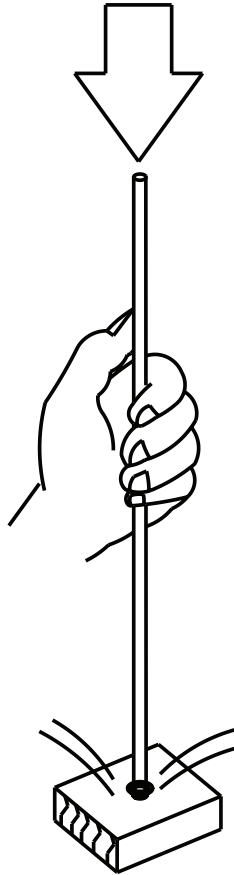
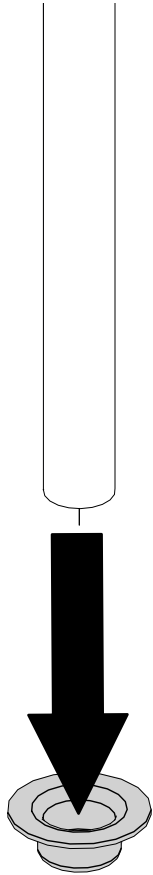
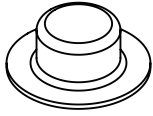
S21420		X2	Y-11651		X4
Y-11793		X2	Y-12865		X8
AAA		X1	Y-29304		X2
S21124		X2	Y-12124		X2
Y-12673		X2	Y-29306		X2
S21061		X2	 <p>#3 ROBERTSON</p> <p>#2 ROBERTSON</p>		
10240-15		X2	S21233		X2

TOOLS REQUIRED / OUTILS NECESSAIRES / HERRAMIENTAS NECESARIAS

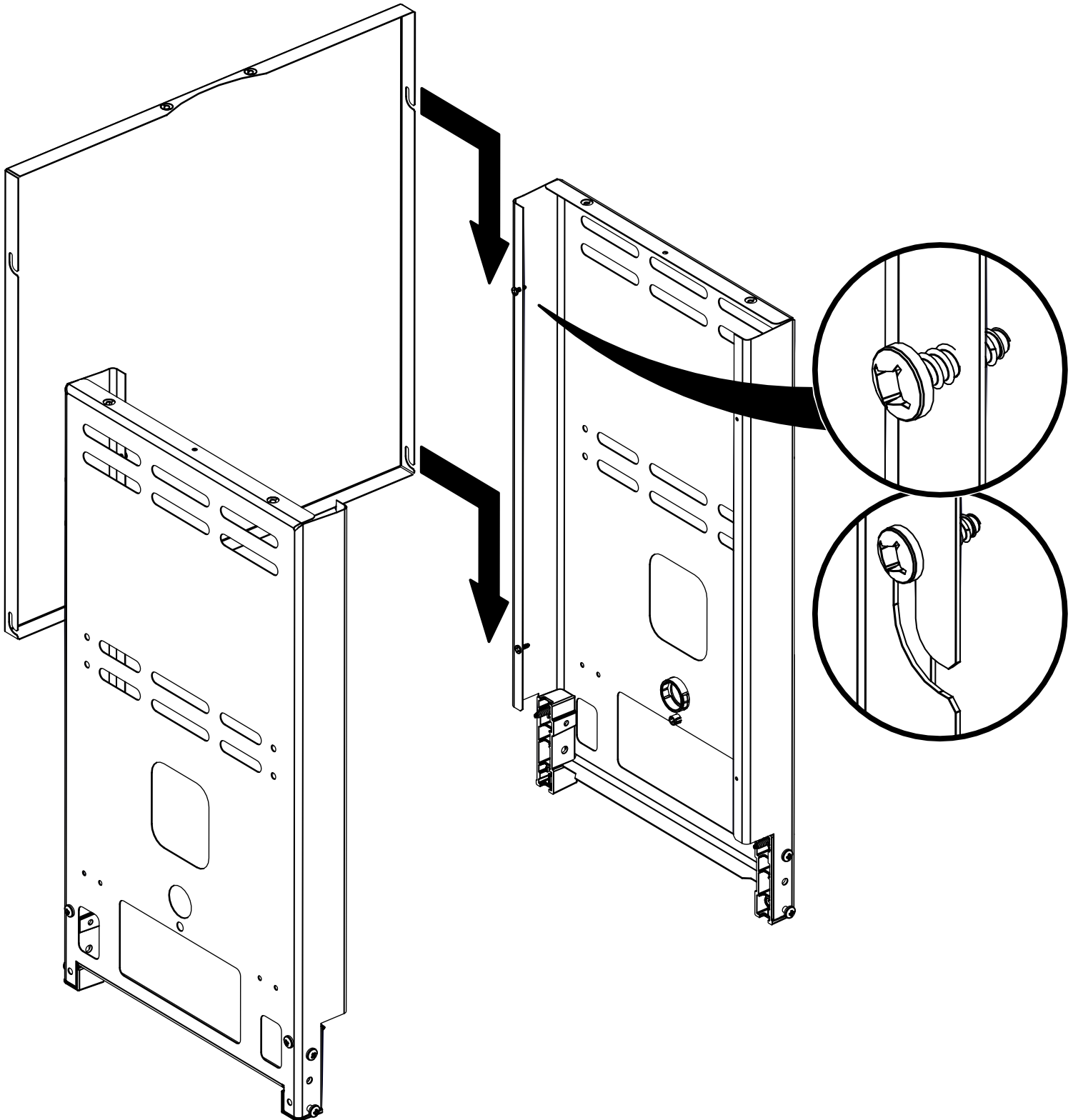


1

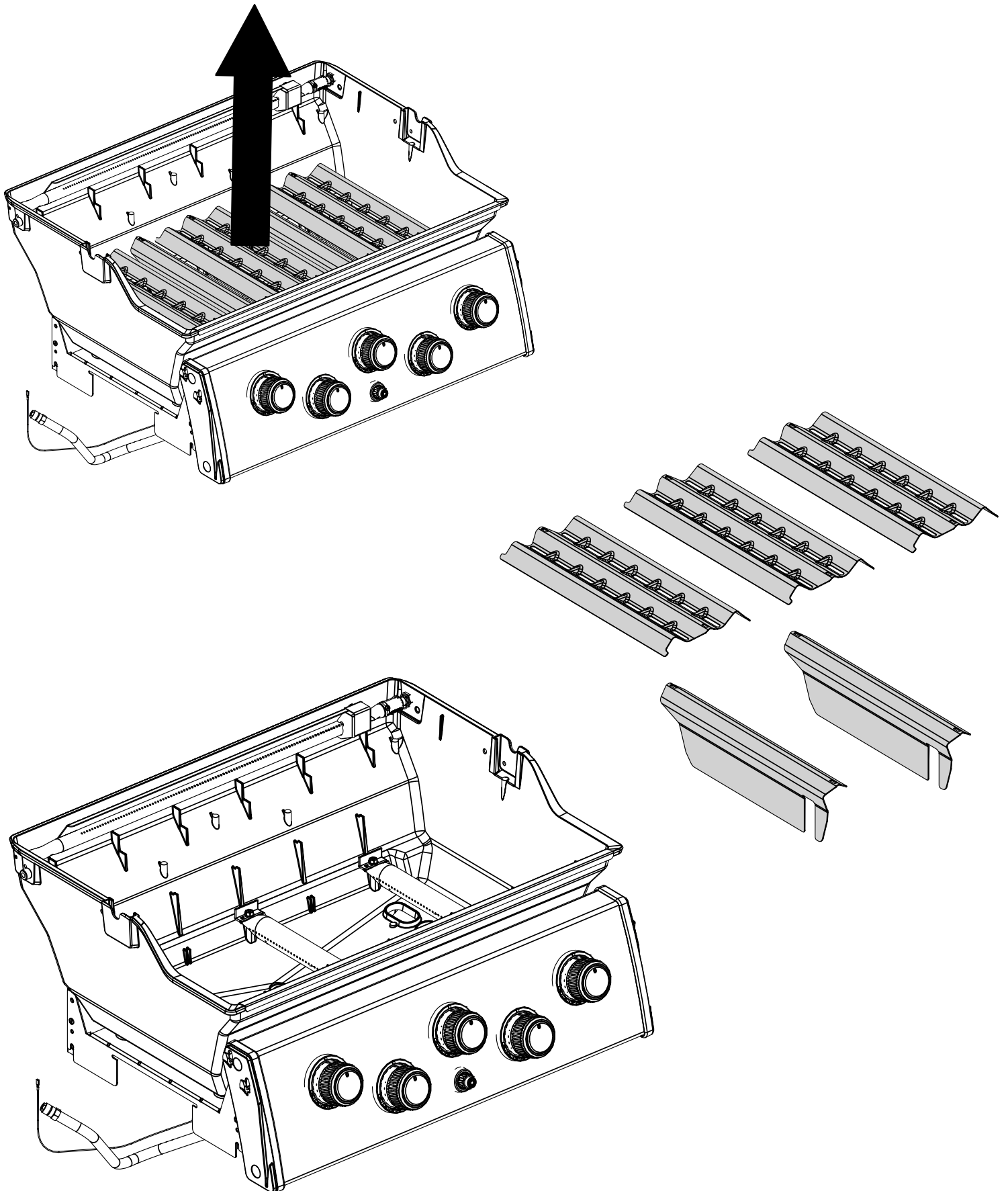
(2)



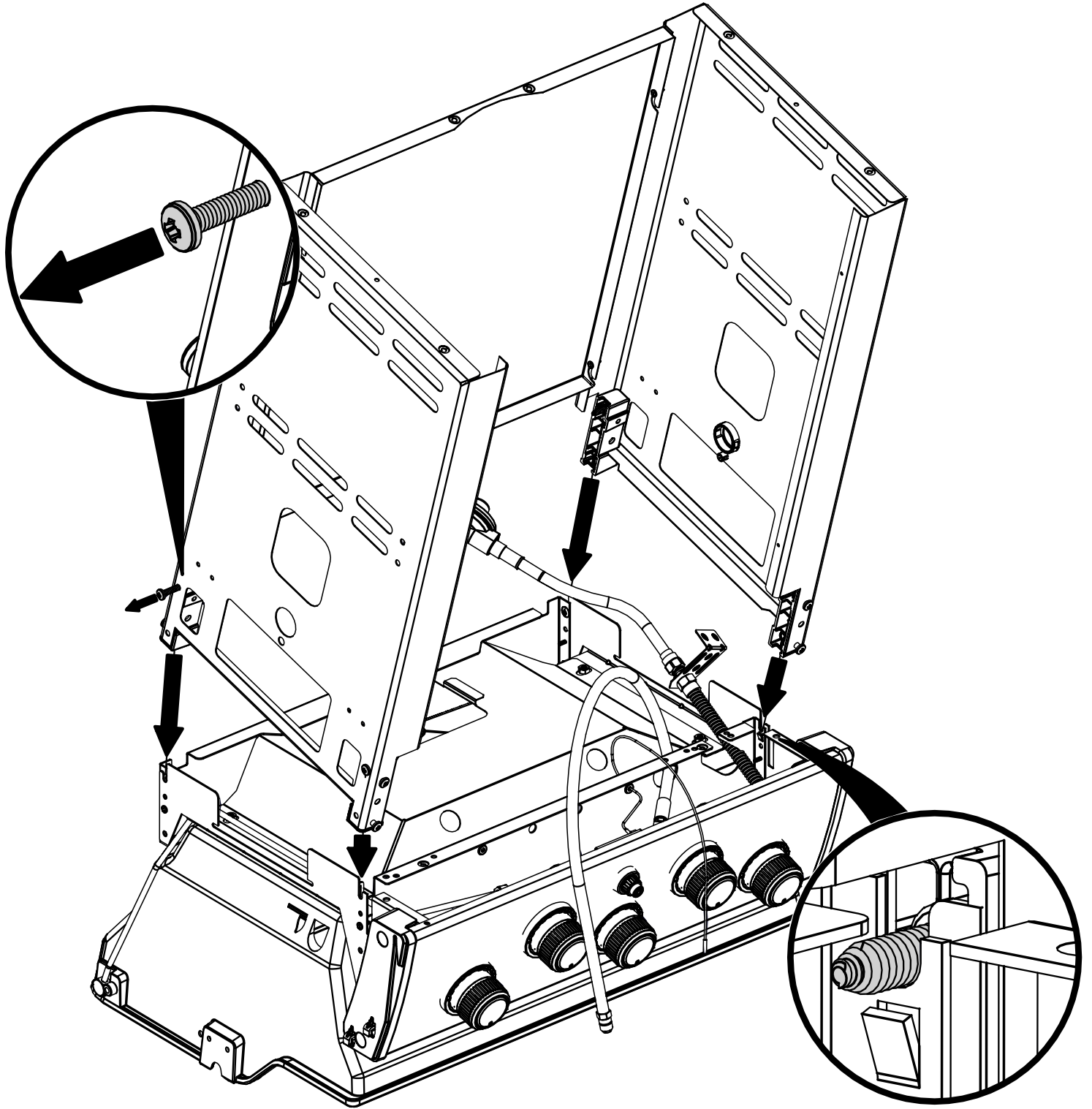
2



3

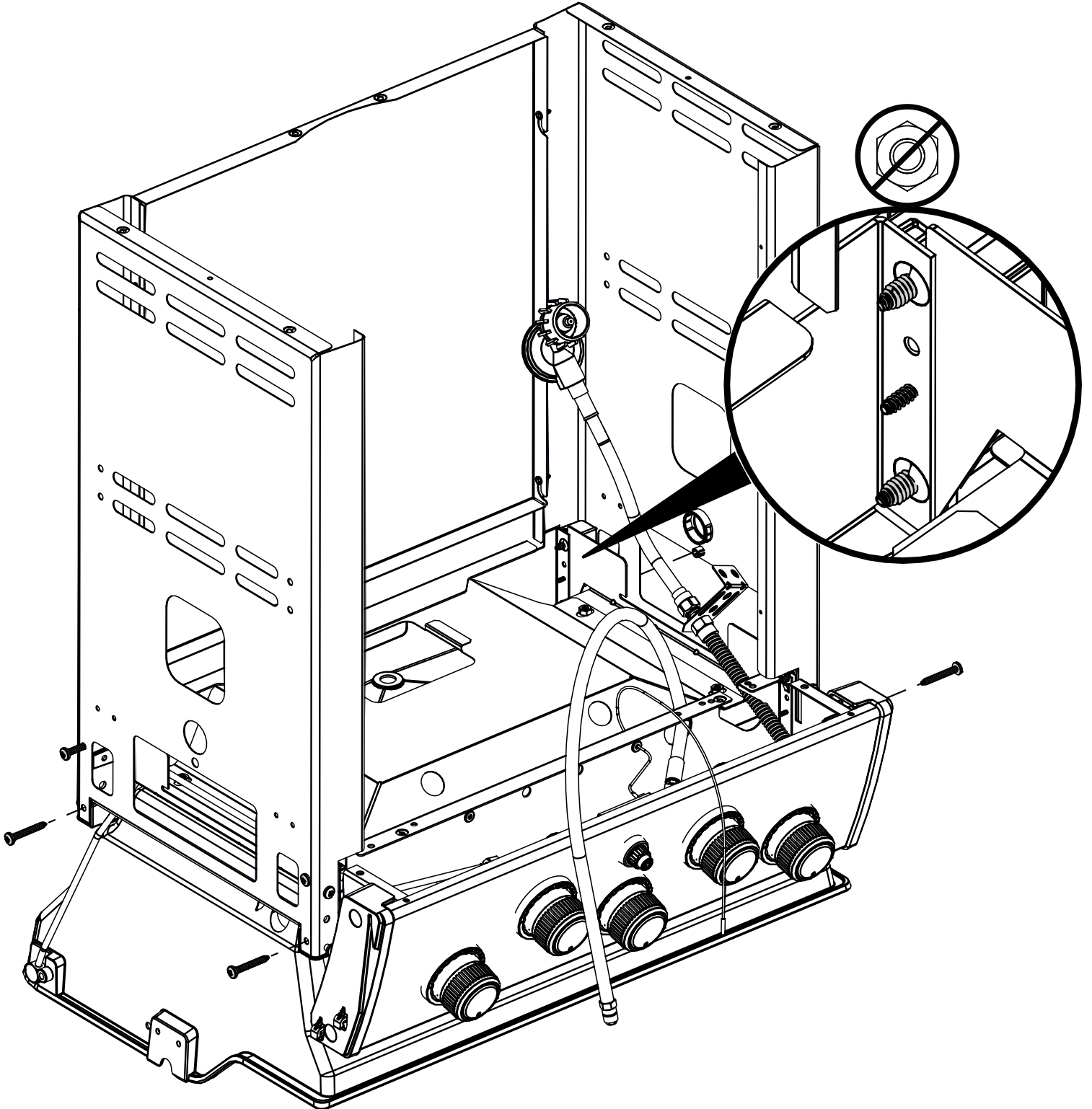
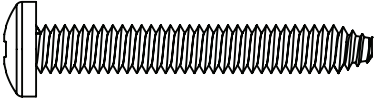


4

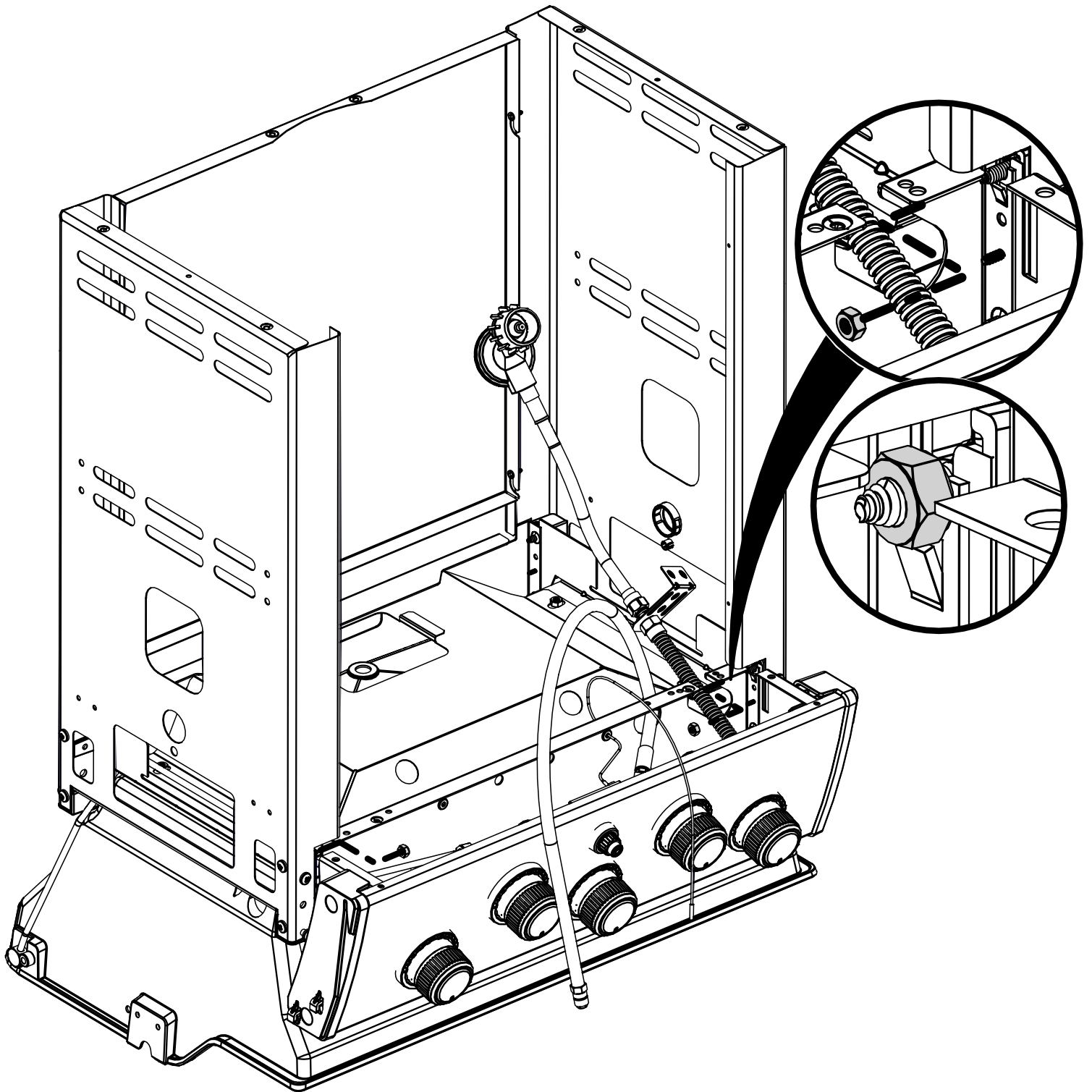
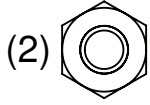


5

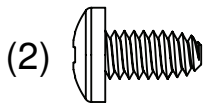
(4)



6



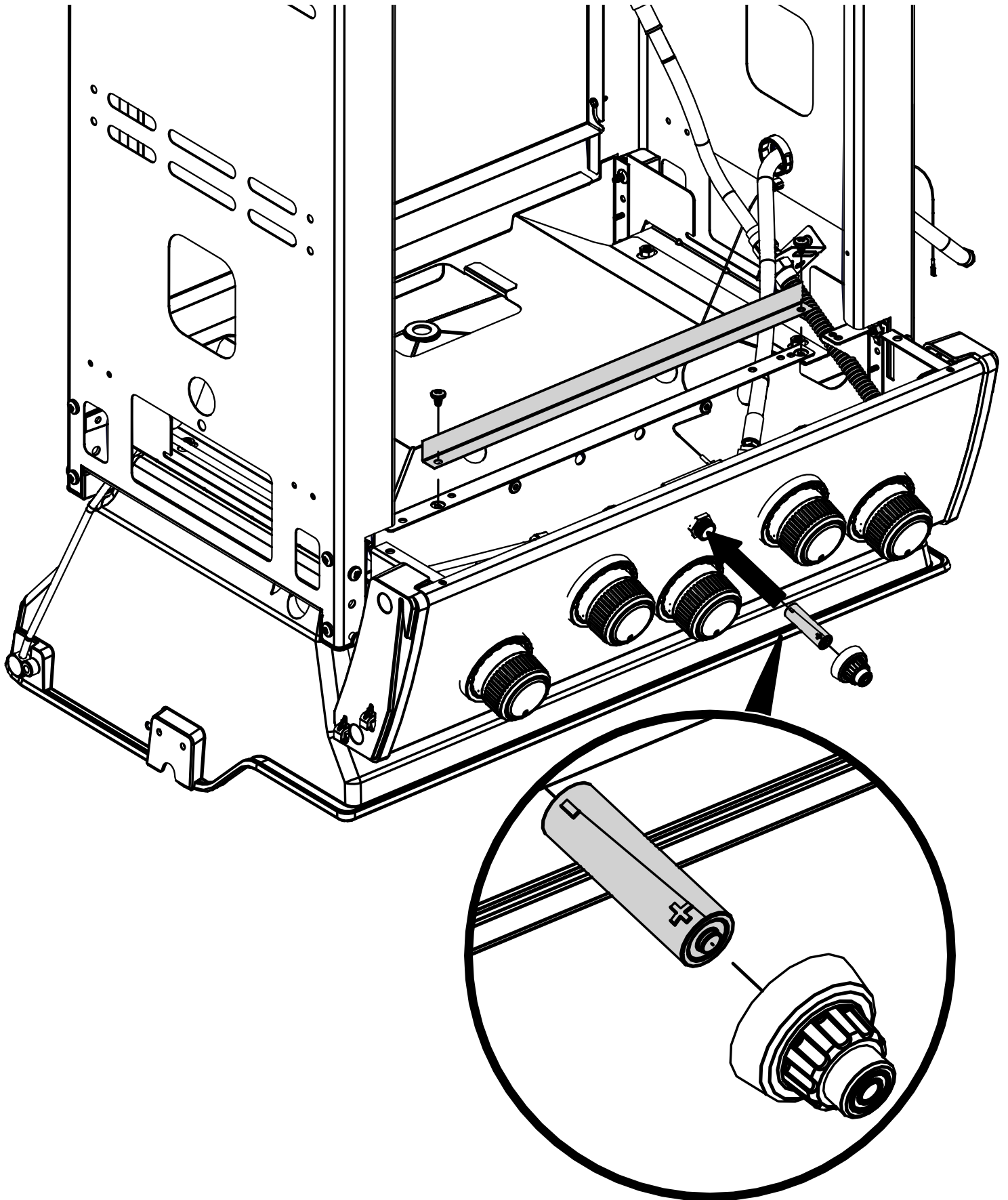
7



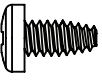
(1)

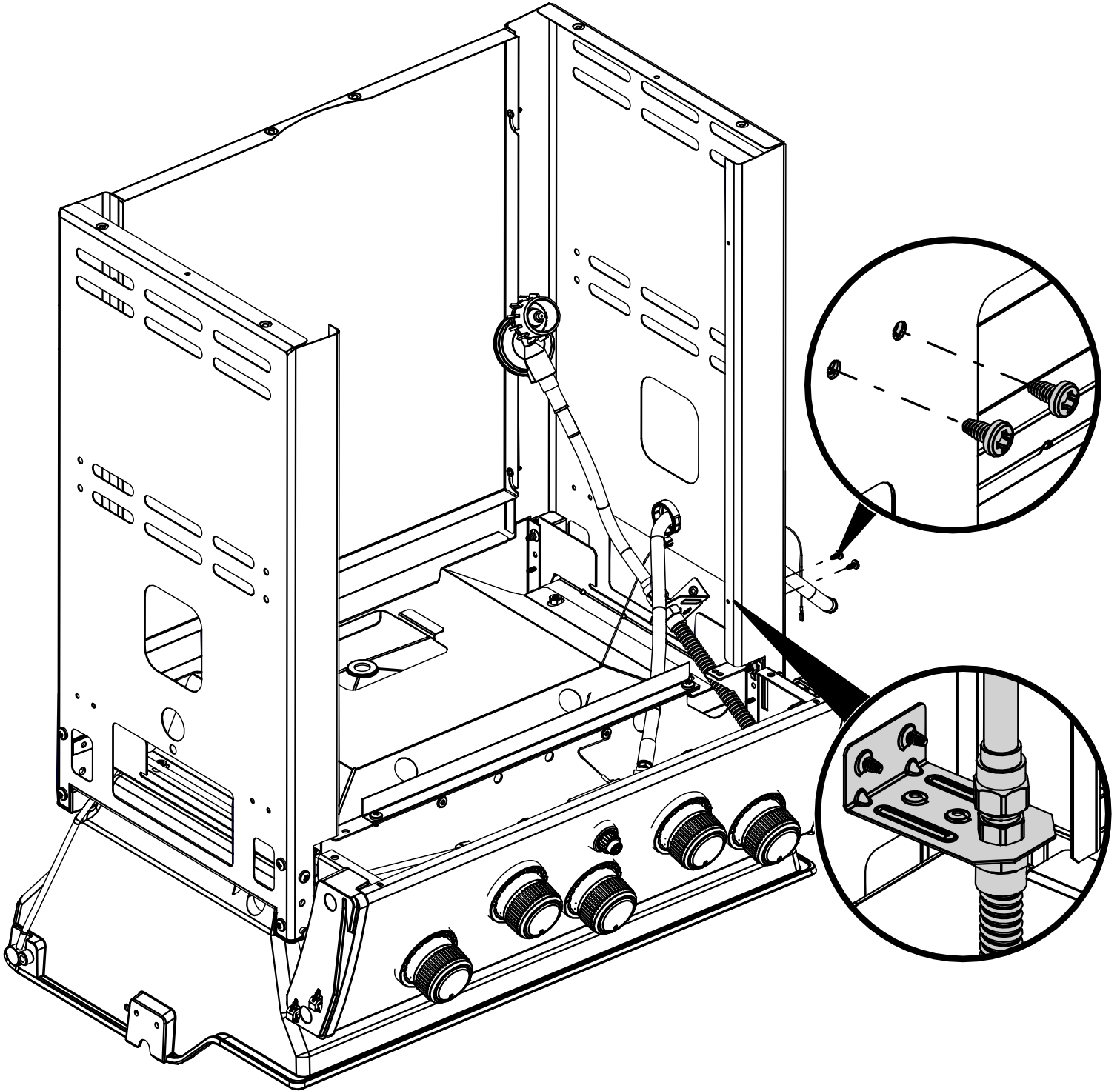


AAA

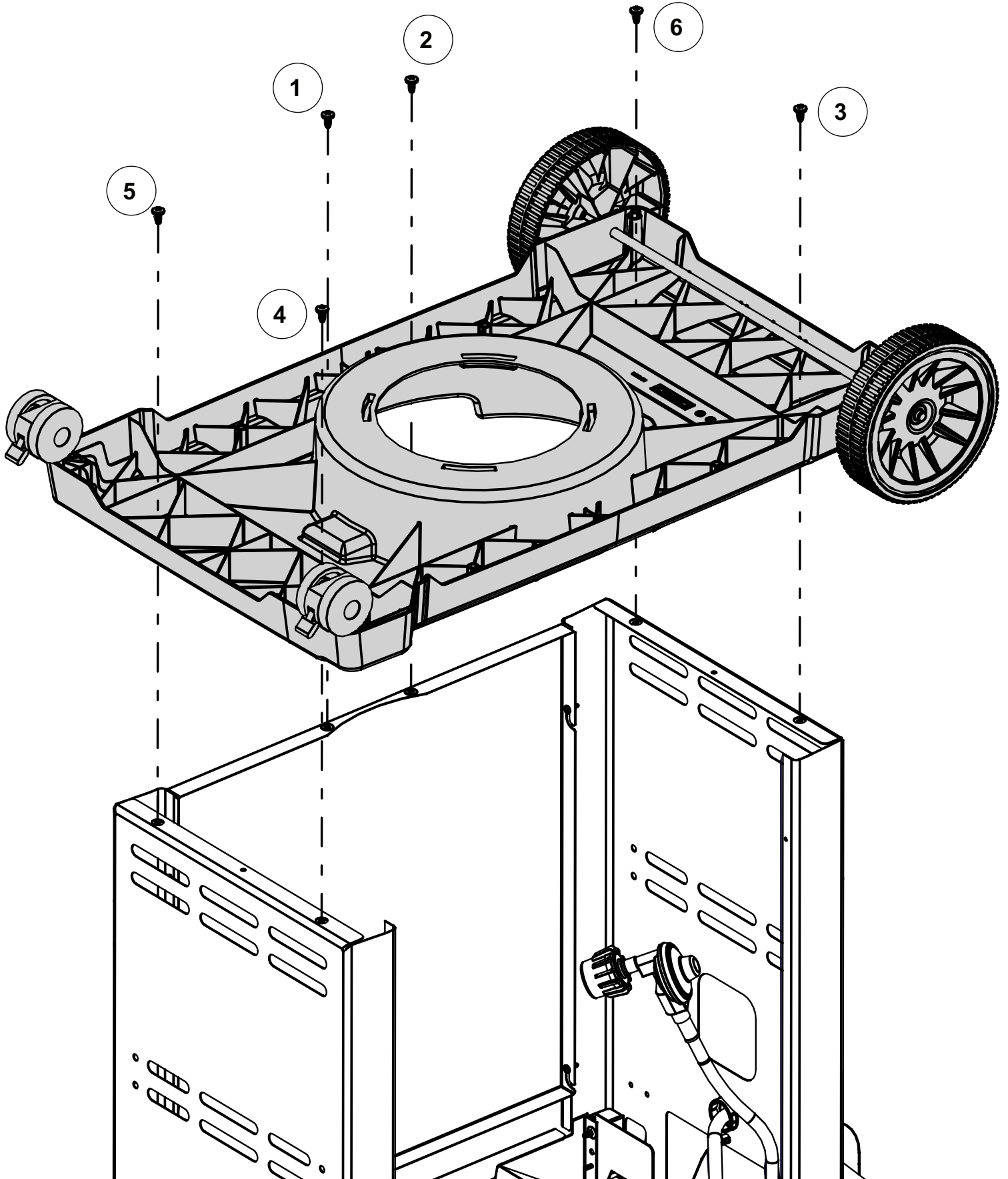
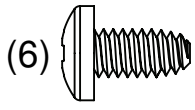


8

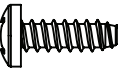
(2) 



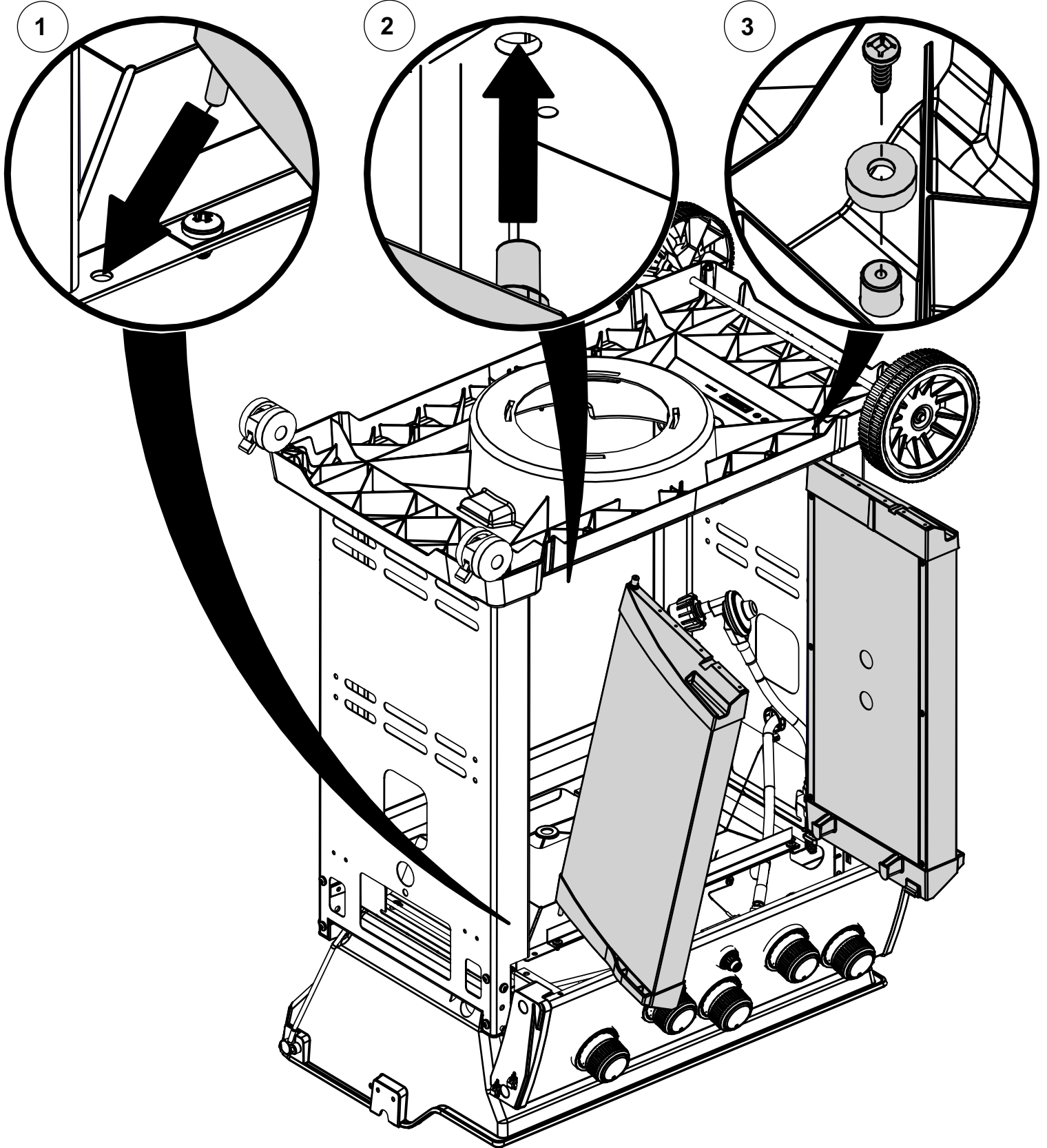
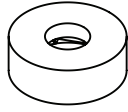
9

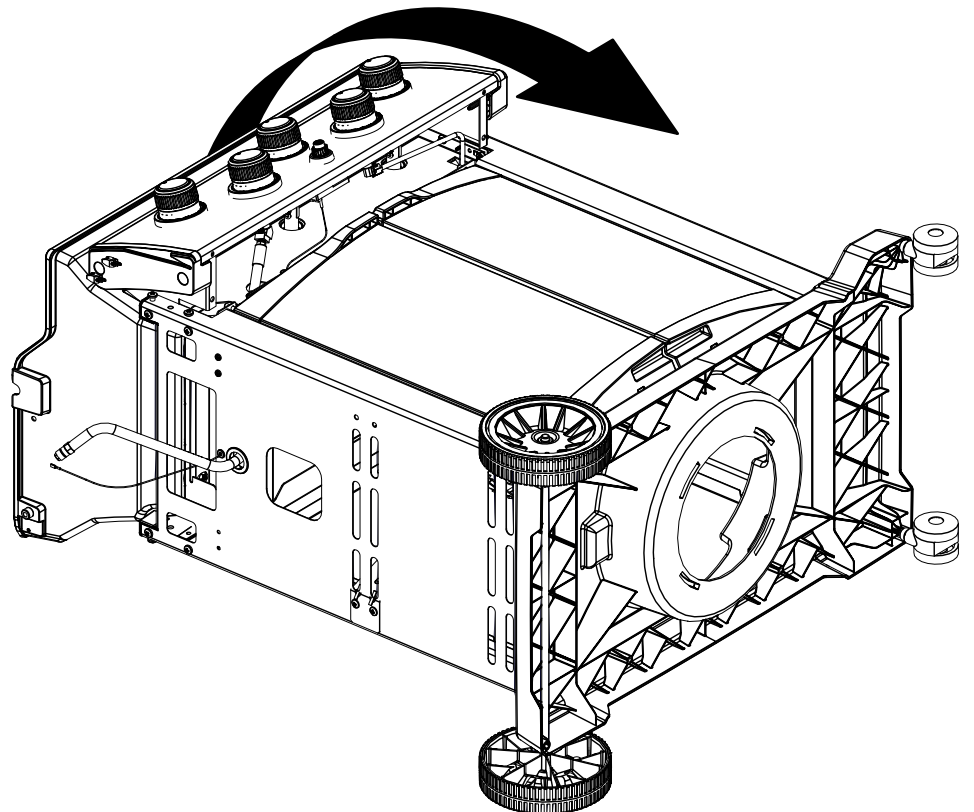
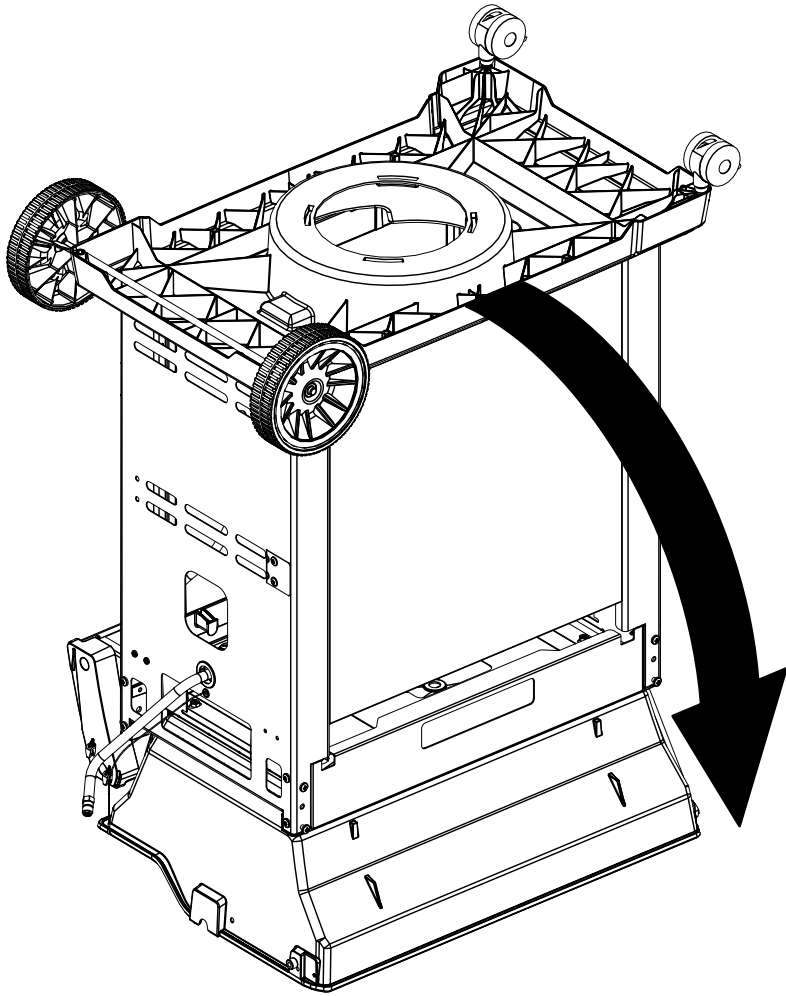


10

(2) 

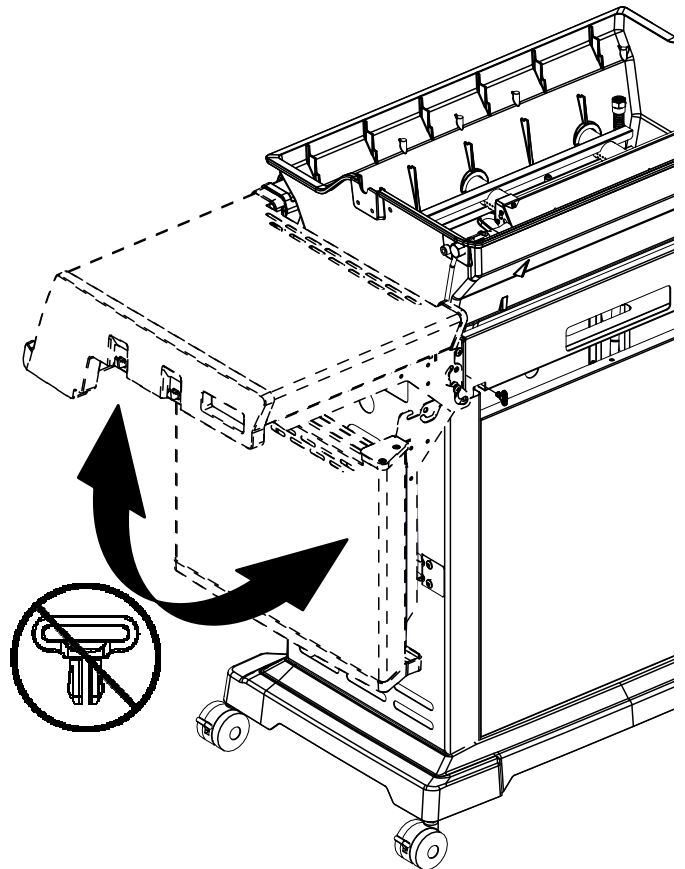
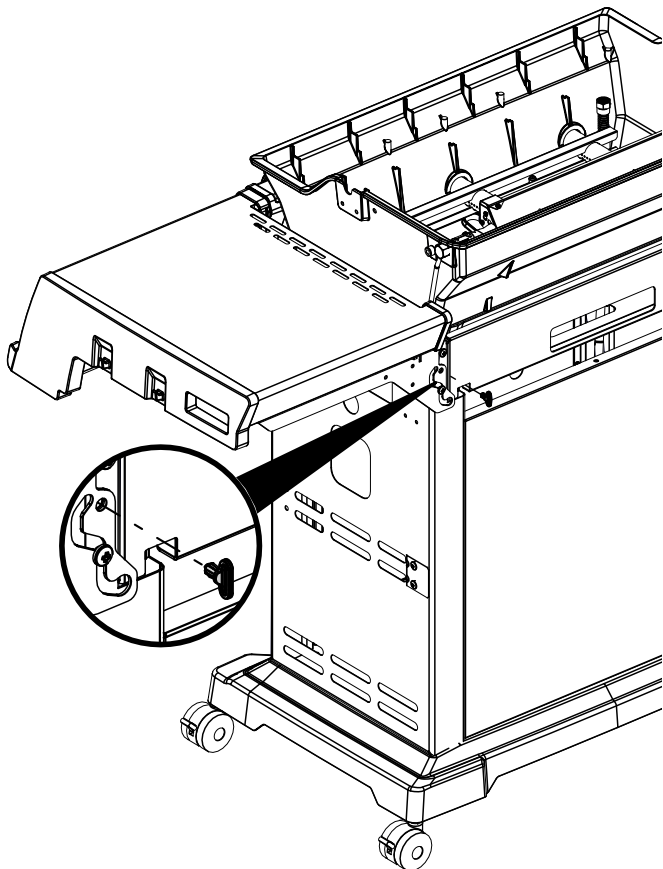
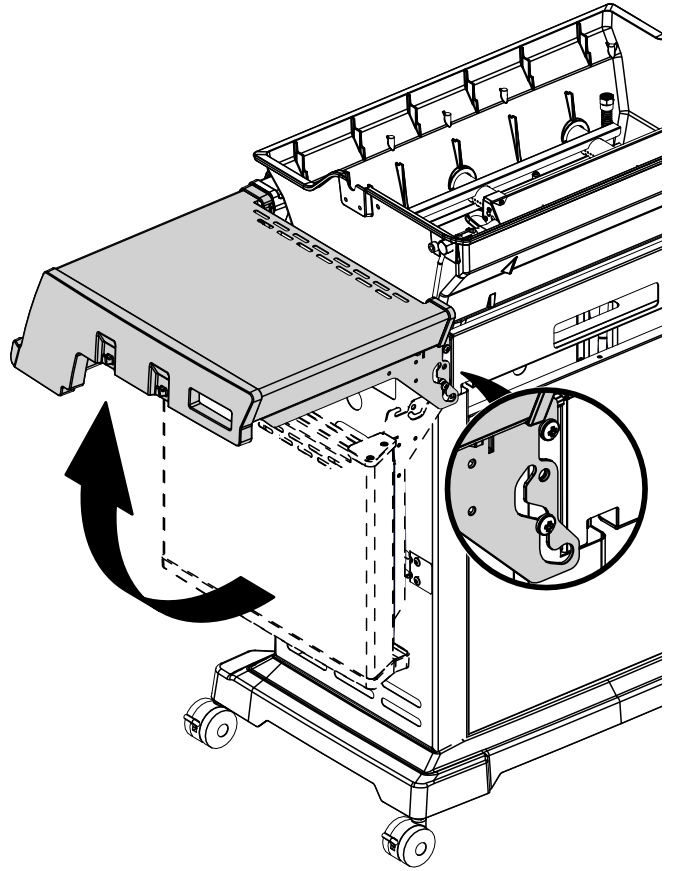
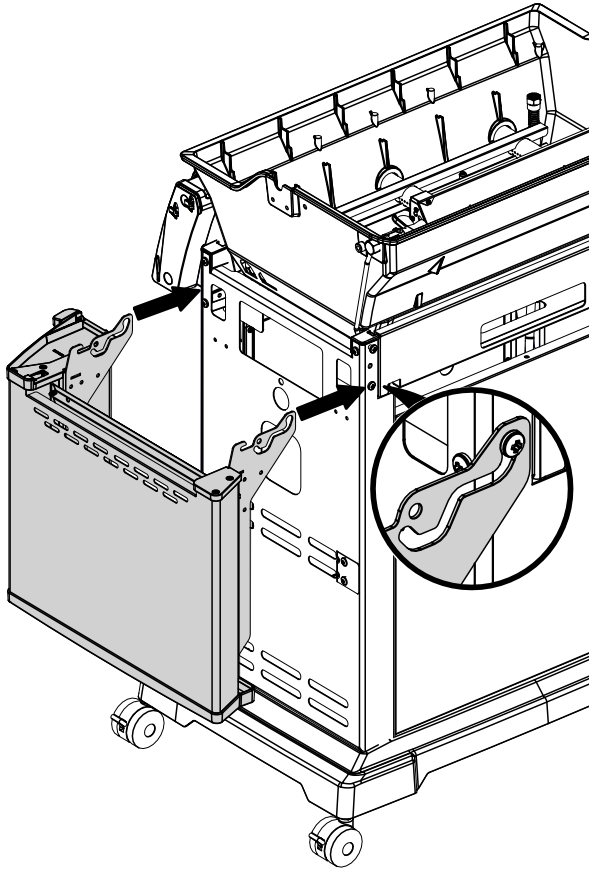
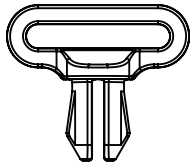
(2)





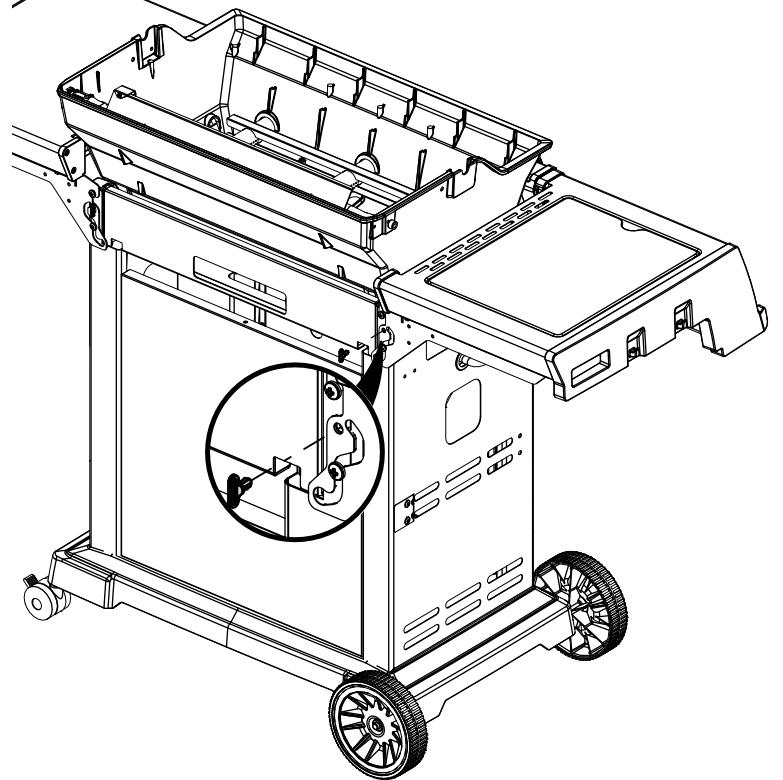
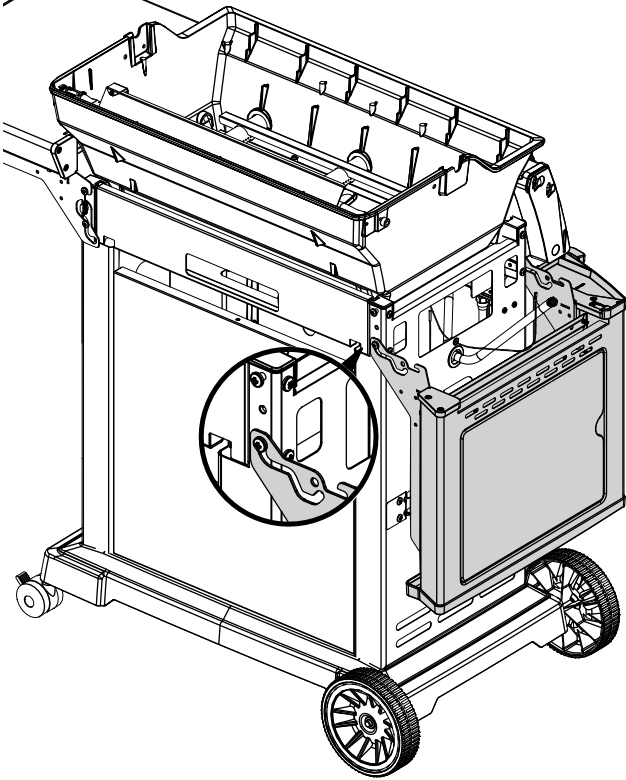
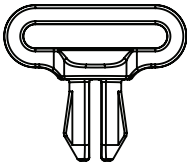
12

(1)



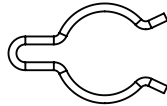
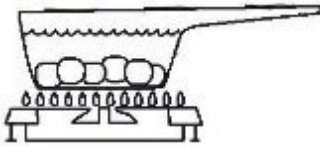
13

(1)

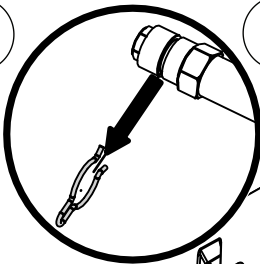


14

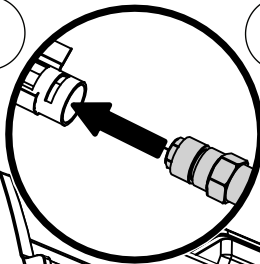
(1)



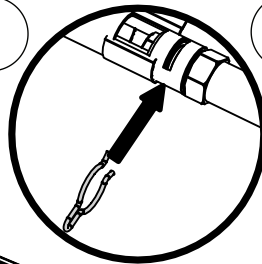
1



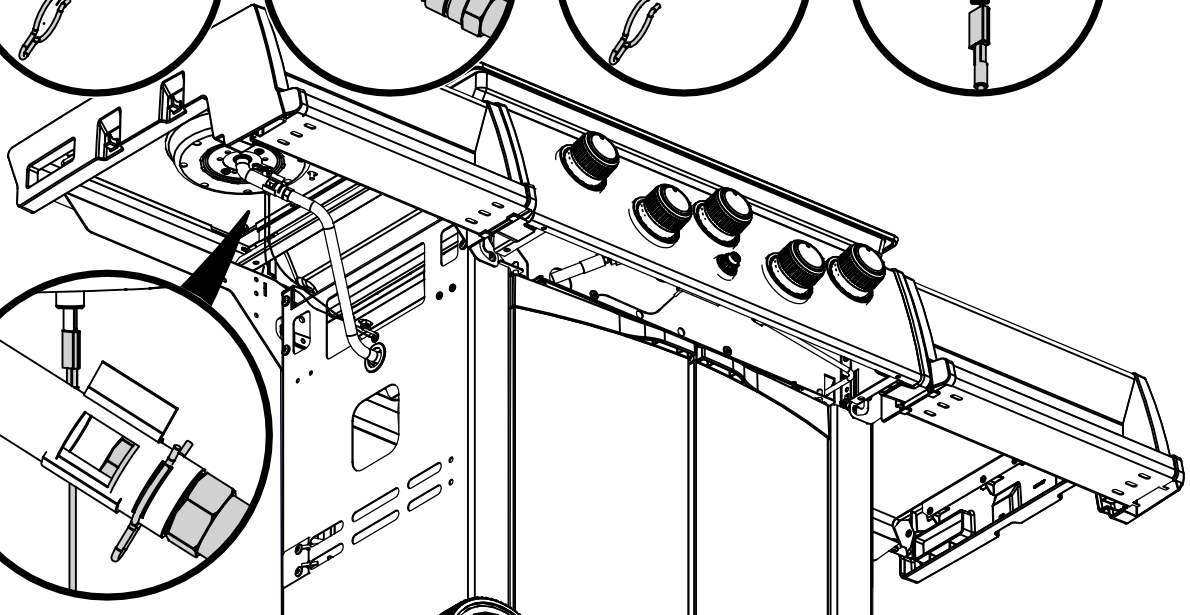
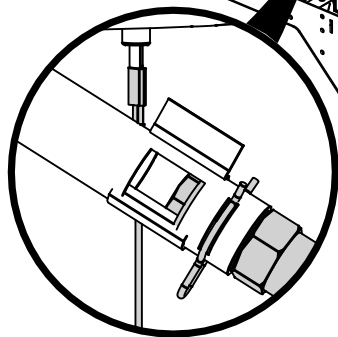
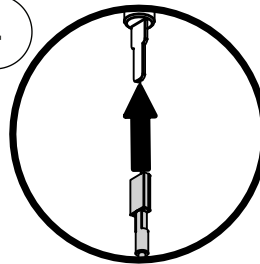
2



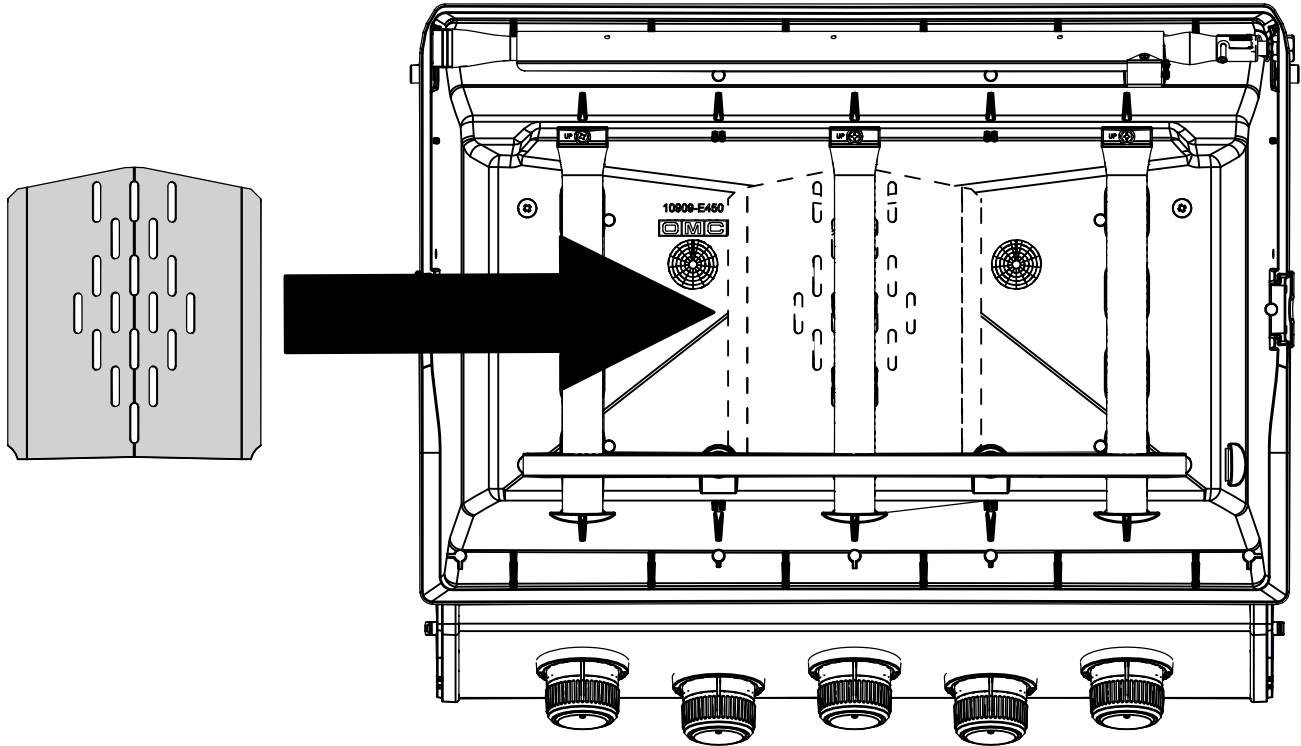
3



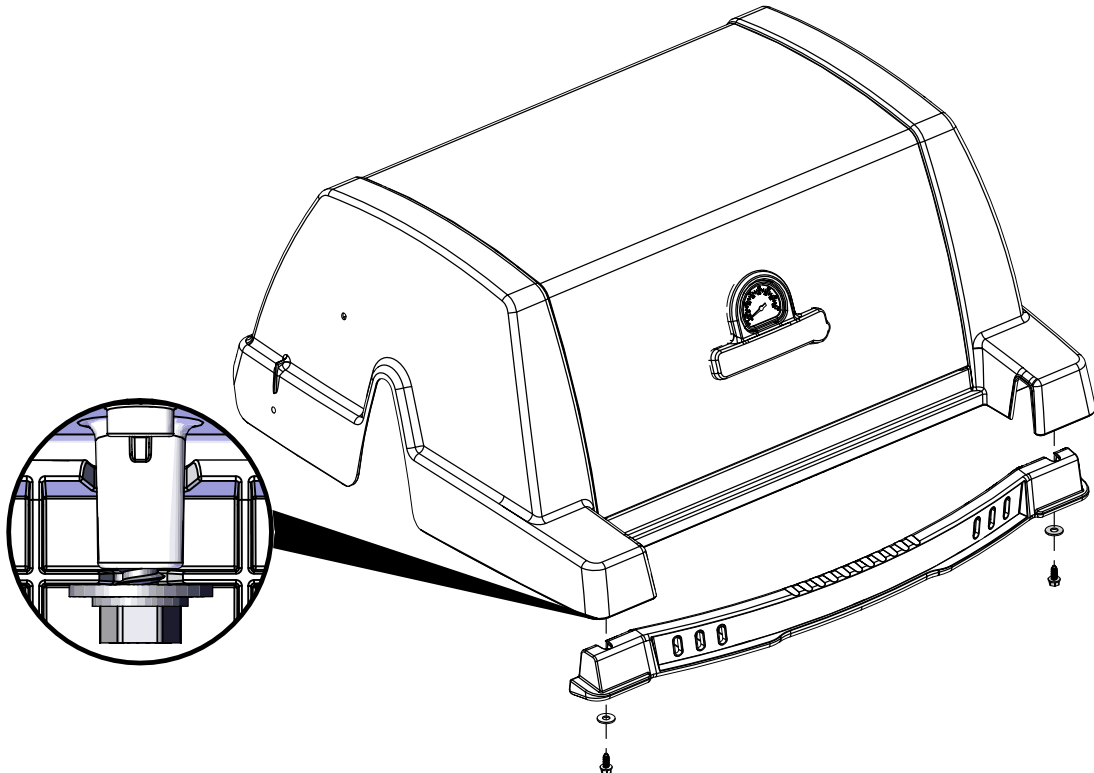
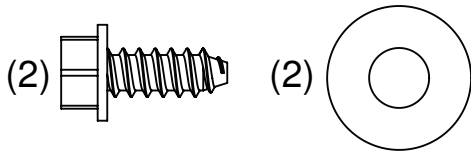
4



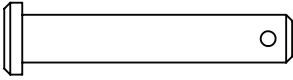
15

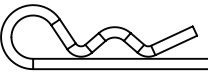


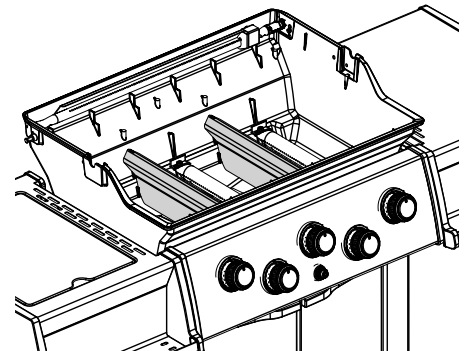
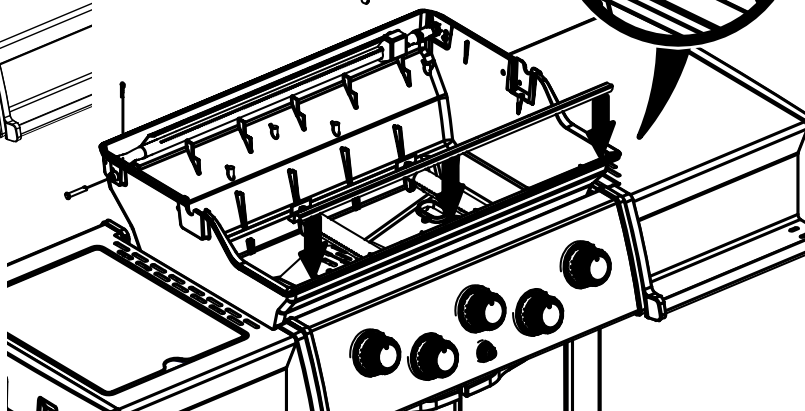
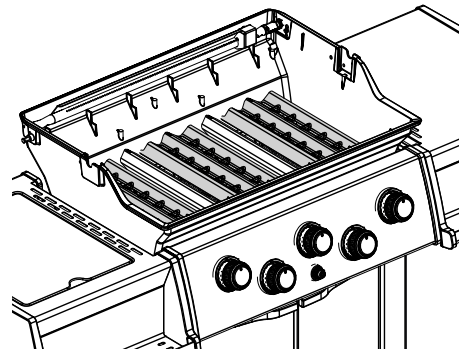
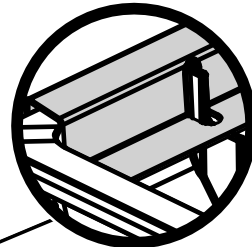
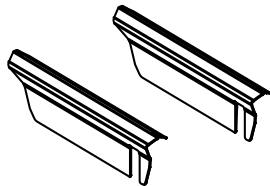
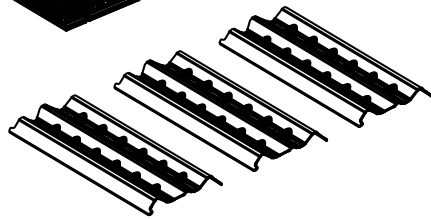
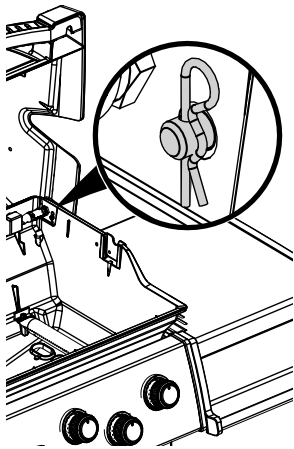
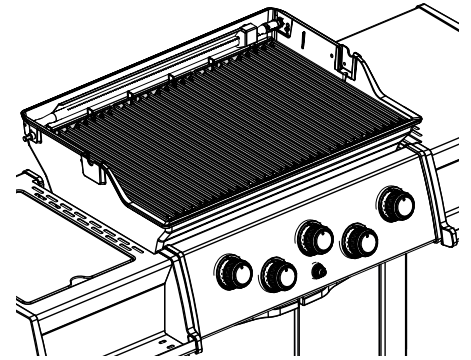
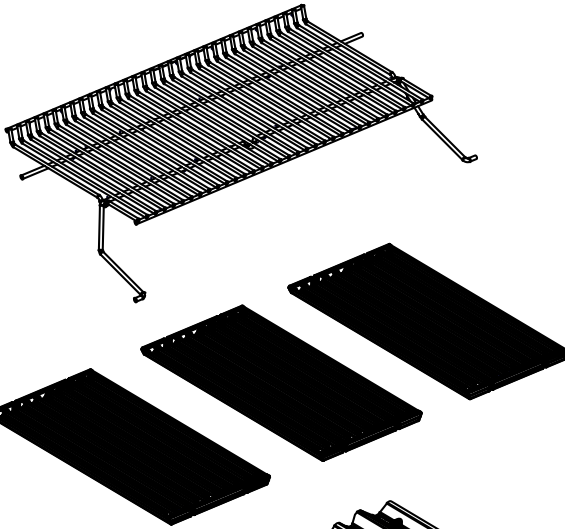
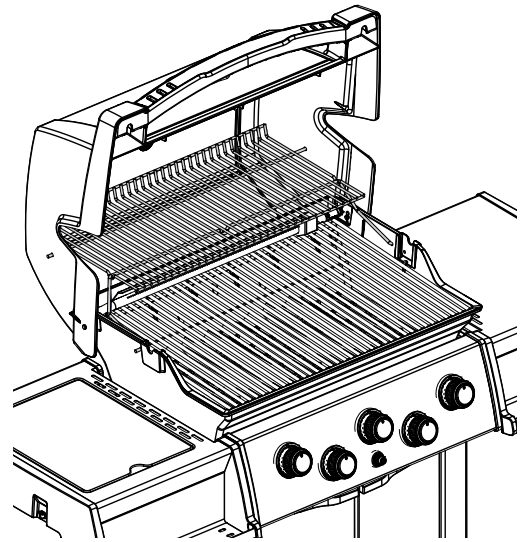
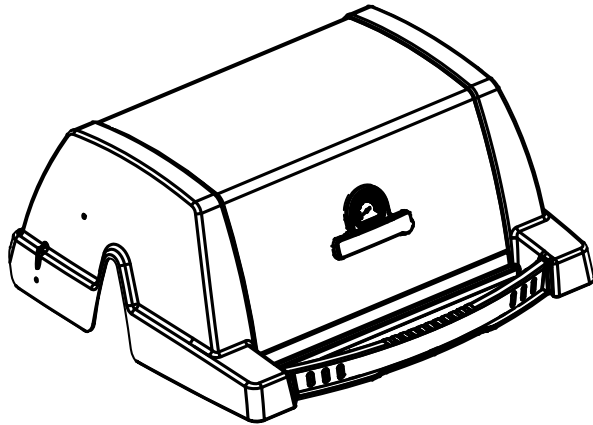
16

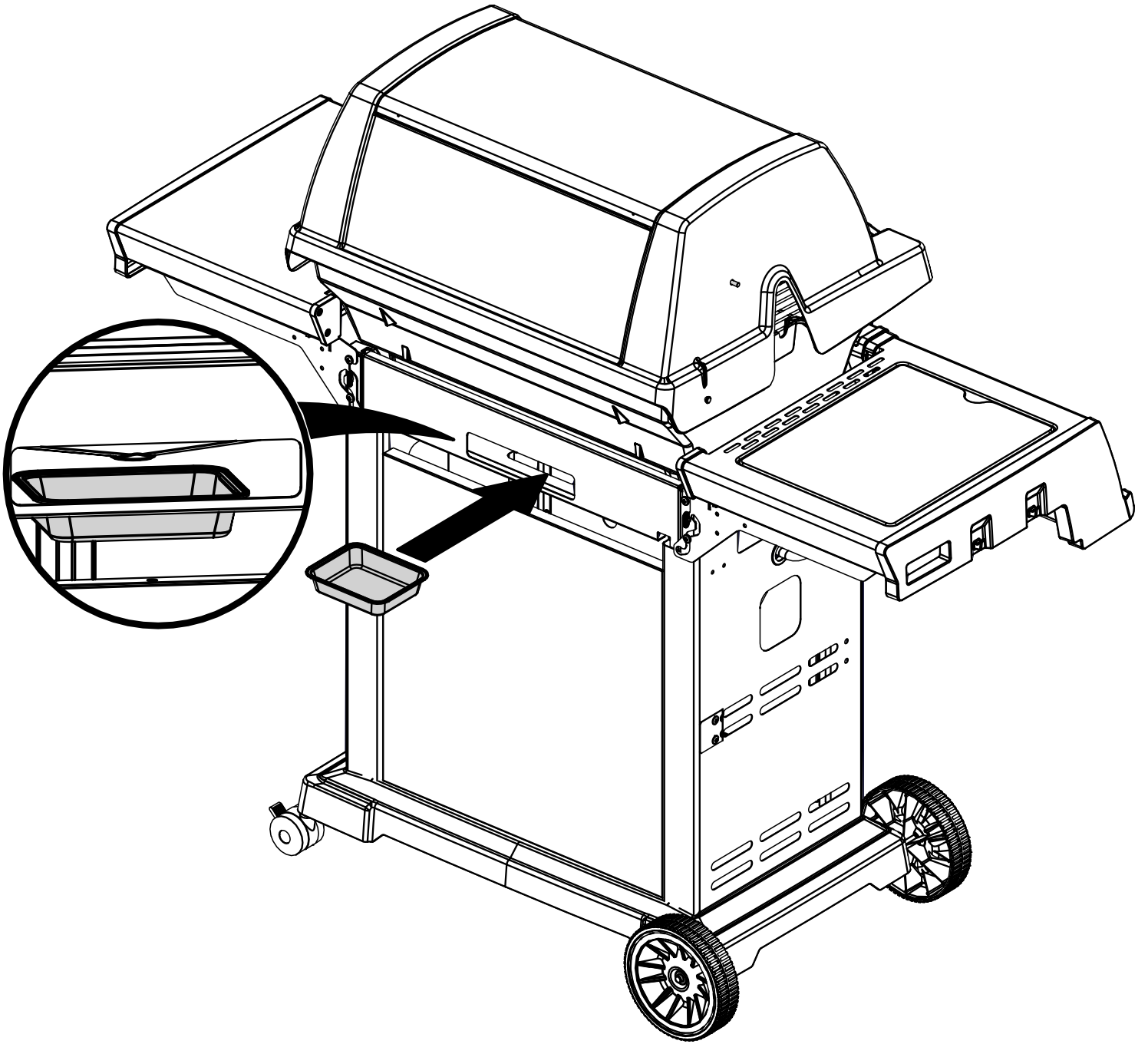


17

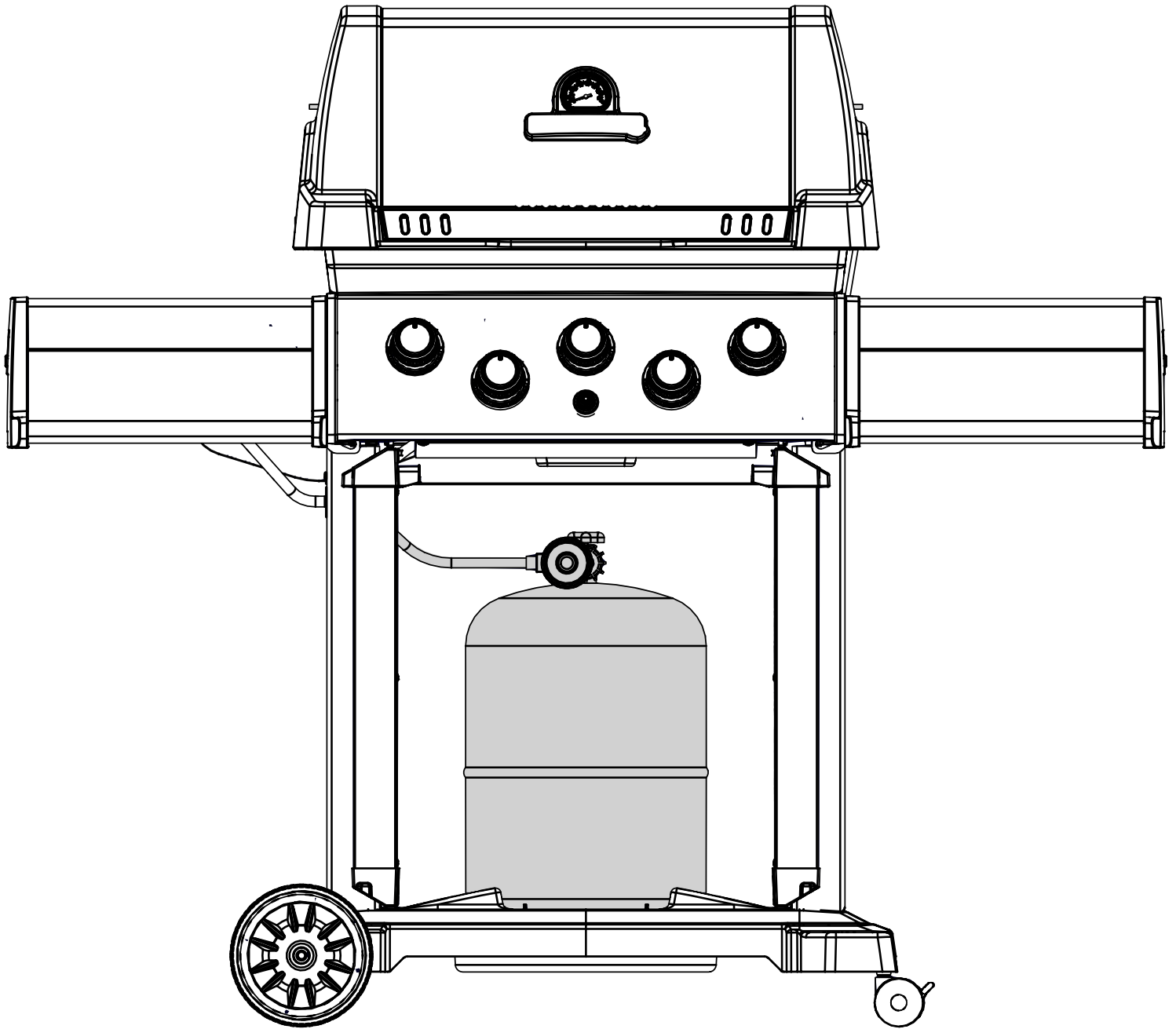
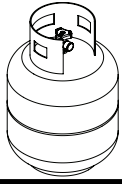
(2) 

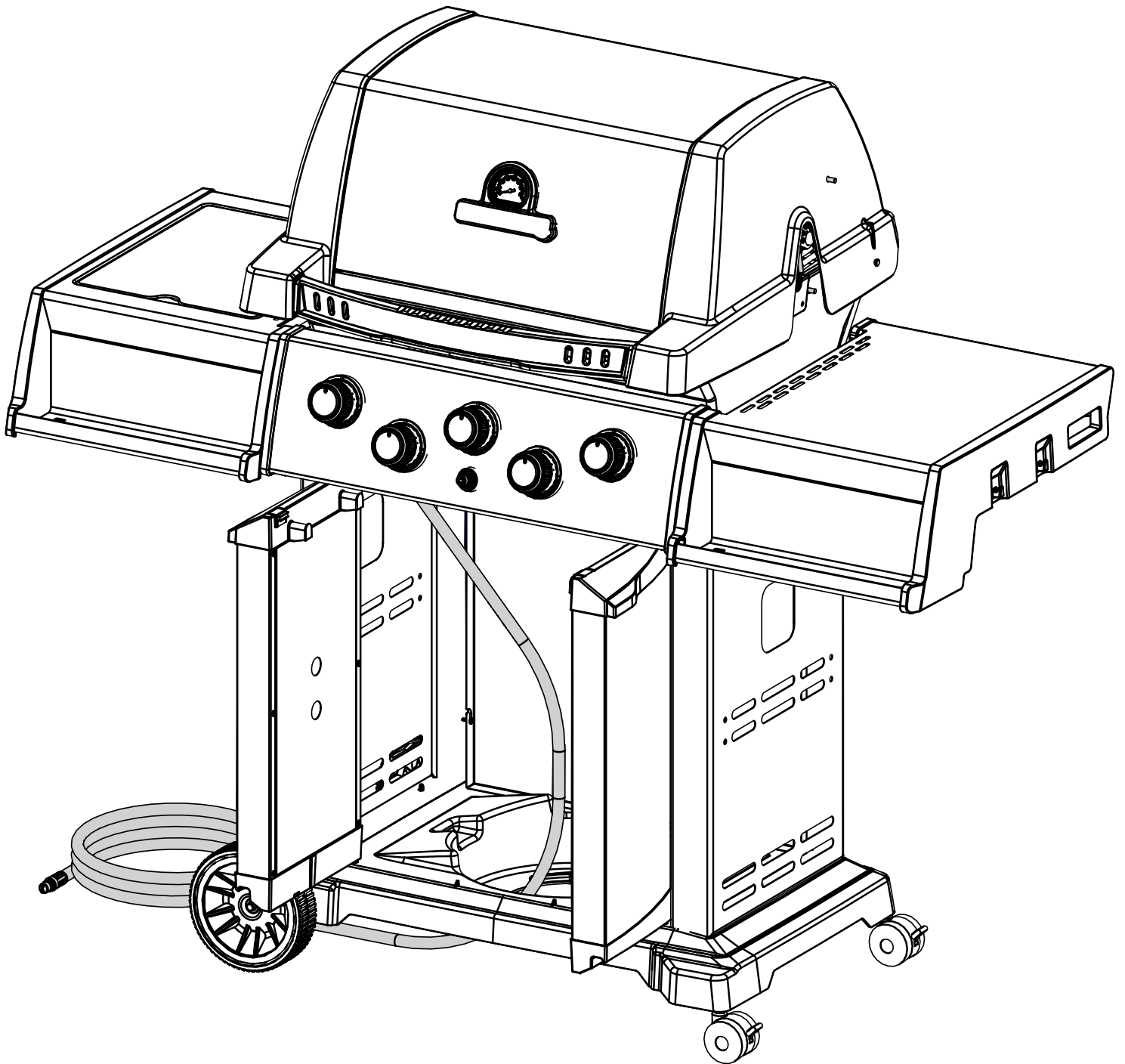
(2) 

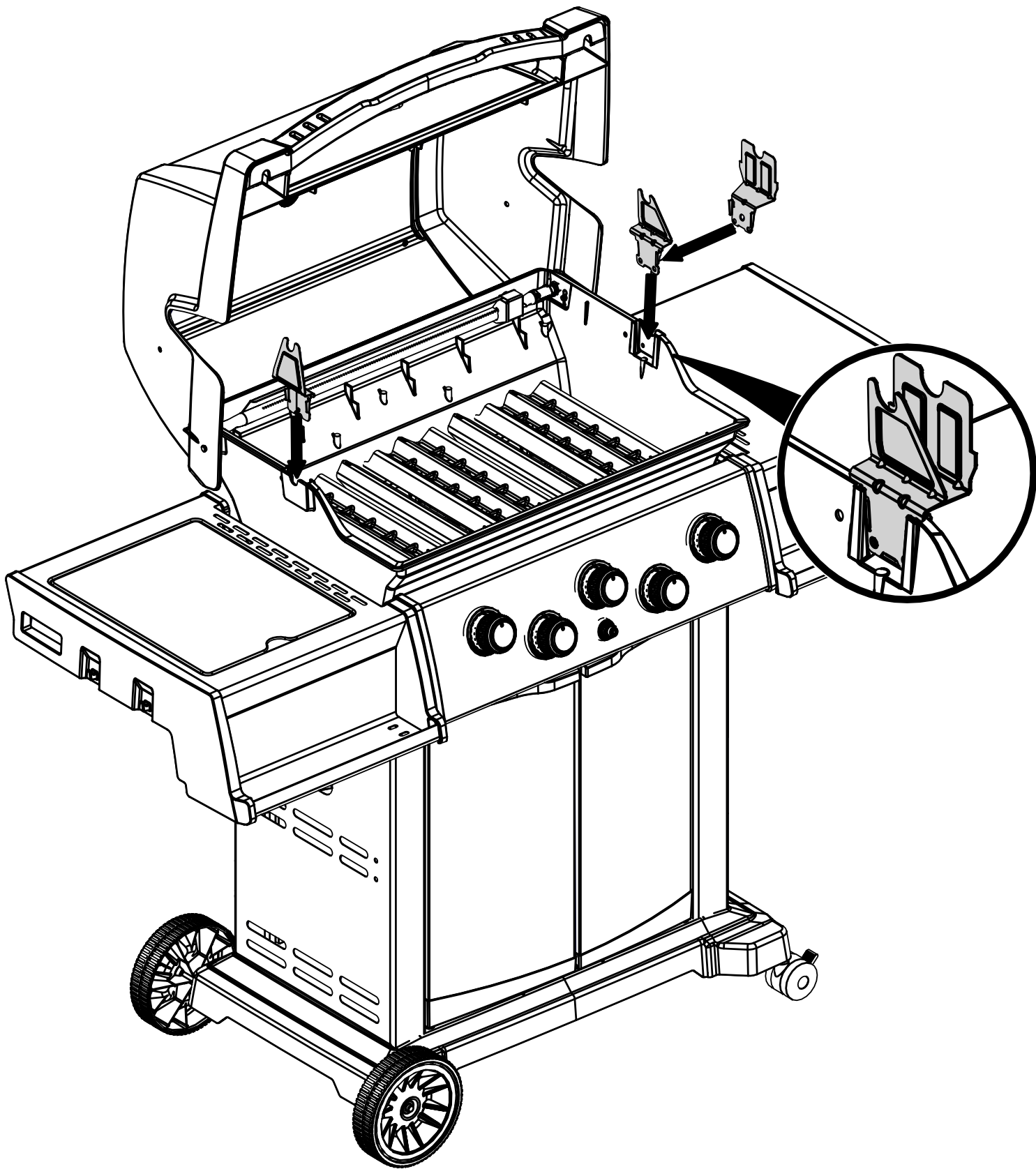




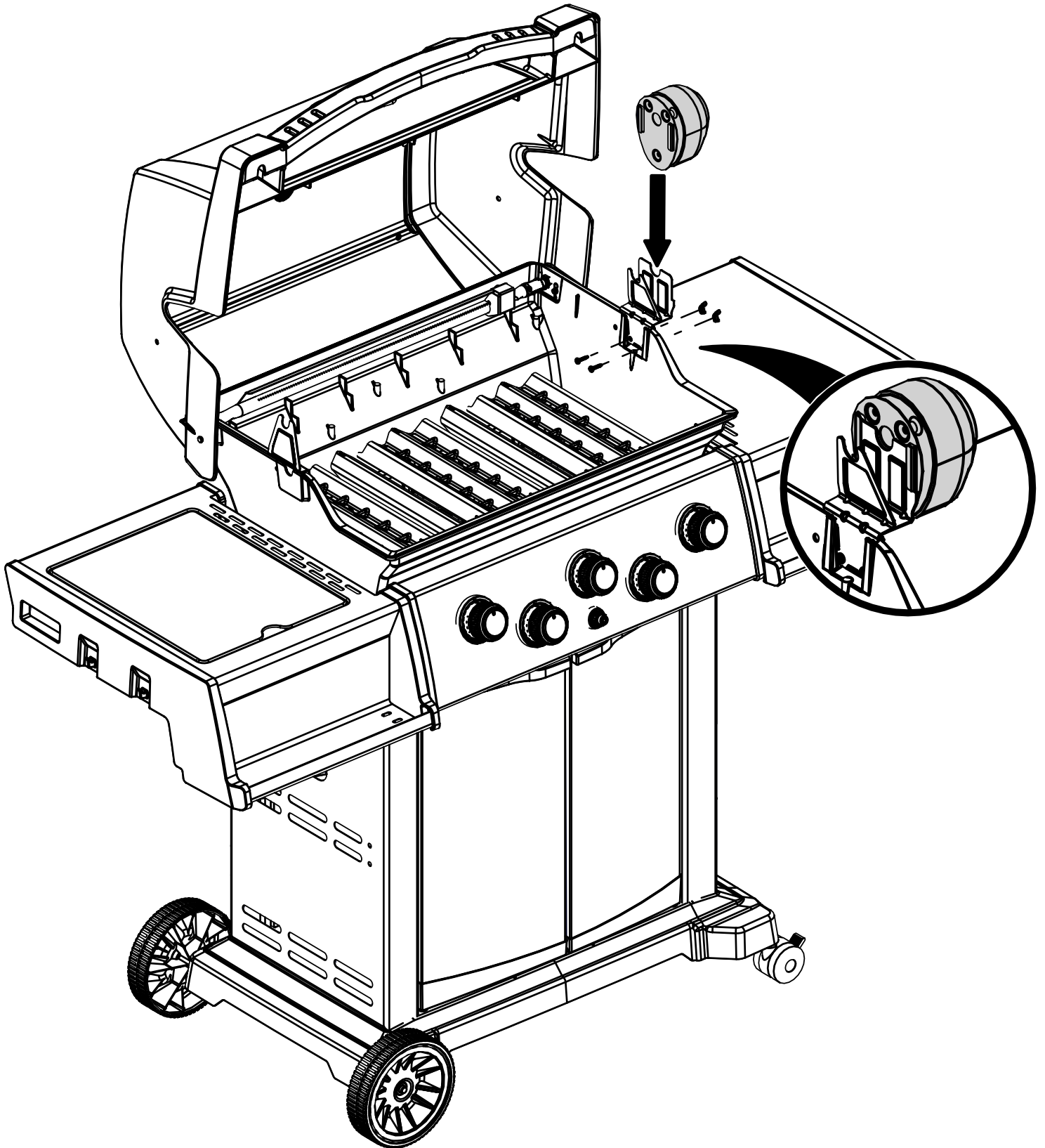
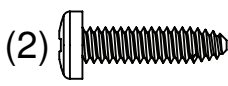
19



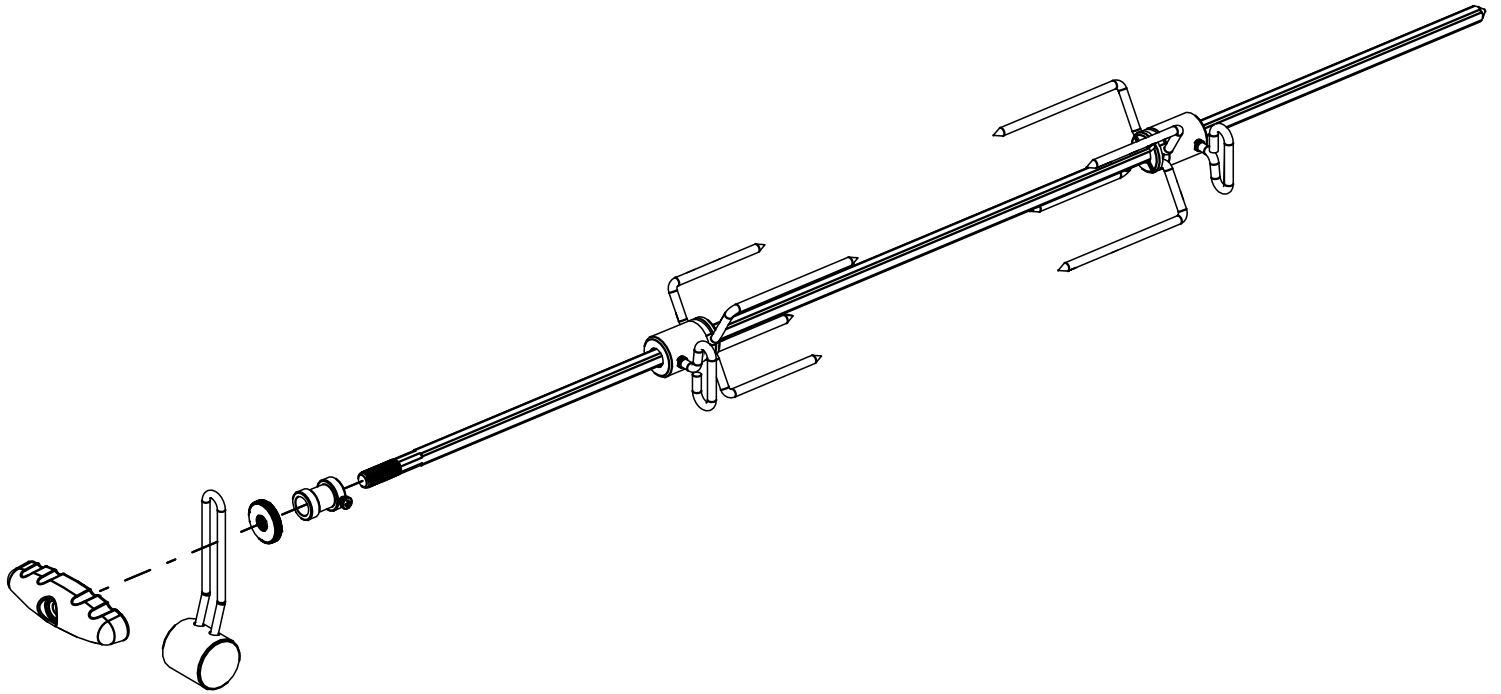




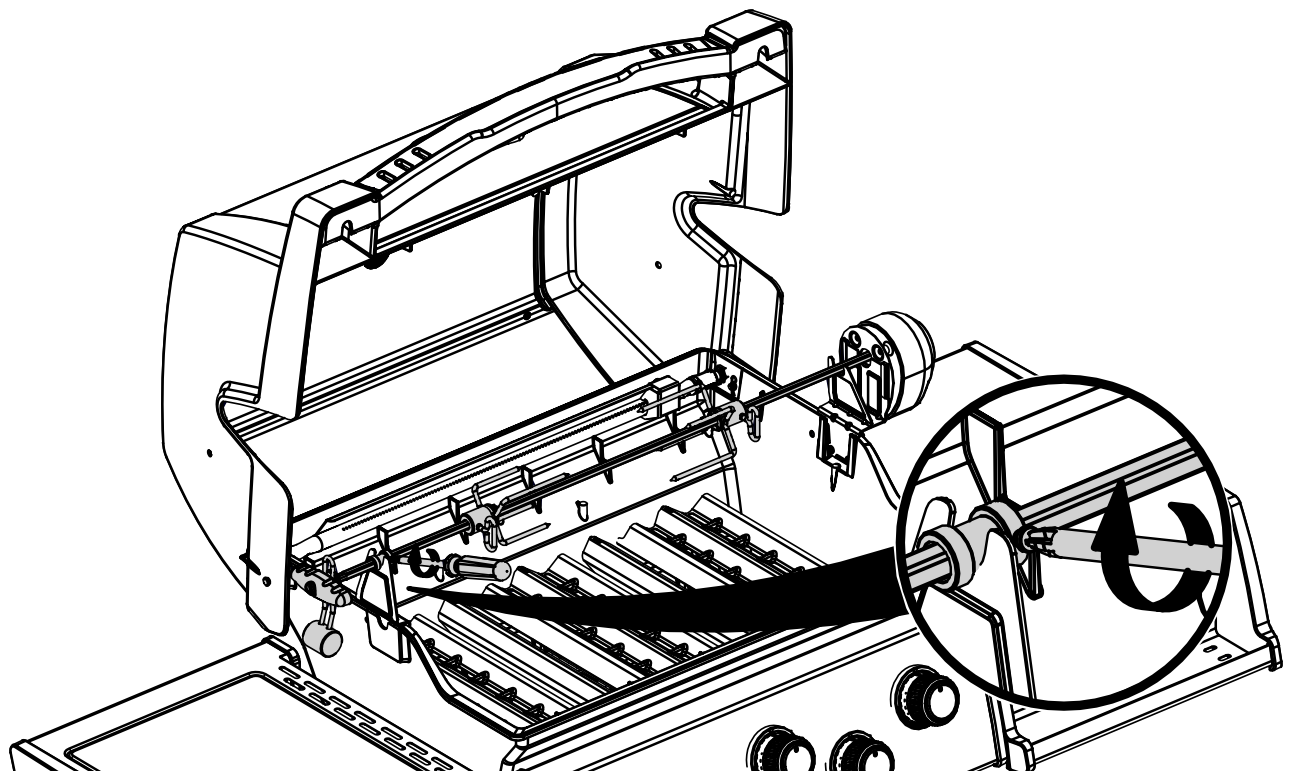
22



23



24



PARTS LIST / LISTE DES PIECES

<u>KEY #</u>	<u>ITEM #</u>	<u>DESCRIPTION</u>	<u>9878-82</u>	<u>9878-83</u>	<u>9878-86</u>
1	10909-E450	CASTING BOTTOM	1	1	1
2	10473-E450	CASTING TOP	1	1	1
3	10081-BK630	NAMEPLATE	1	1	1
4	10958-E450A	TOP CASTING INSERT	1	1	1
5	10571-6	HEAT INDICATOR	1	1	1
6	10240-15	HINGE PIN	2	2	2
6A	S21237	HINGE SPACER	2	2	2
7	S21233	HITCH PIN CLIP	2	2	2
9	10225-T536	GRID	3	3	3
10	10222-E400	FLAV-R-WAVE	3	3	3
11	10225-E451	GRID - WARMING RACK	1	1	1
12	10222-E401	DIVIDER	2	2	2
13	10184-R84	BOSS EXTENSION	1	1	1
15	10390-E20D	BURNER	3	•	•
	10390-E20E	BURNER	•	3	•
	10390-E20NGE	BURNER	•	•	3
17	10342-247	ELECTRONIC IGNITOR	1	1	1
18	10342-E12	ELECTRODE	2	2	2
19	10342-E400A	COLLECTOR BOX	1	1	1
21	10445-E36D	CONTROL ASSEMBLY	1	•	•
	10445-E36E	CONTROL ASSEMBLY	•	1	•
	10445-E37E	CONTROL ASSEMBLY	•	•	1
21A	S13470-073	HOSE-SIDE BURNER	1	•	•
	S13470-079	HOSE-SIDE BURNER	•	1	•
	S13470-109	HOSE-SIDE BURNER	•	•	1
21B	Y-11230	COTTER PIN	1	1	1
21C	10110-45	TUBE-REAR BURNER ASSY	1	1	1
23	22001-768	CONTROL KNOB	5	5	5
23A	10472-E38	CONTROL BEZEL	5	5	5
23B	Y-12674	STOPPER	•	•	5
24	10111-16A	HOSE	1	1	1
25	10222-E402	BAFFLE	1	1	1
30	10194-E499	CONTROL COVER	1	1	1
31	10711-E42A	EDGE CAP - CONTROL COVER	1	1	1
32	10711-E41A	EDGE CAP - CONTROL COVER	1	1	1
33	10184-E92	RADIATION SHIELD	1	1	1
35	10184-E501	SUPPORT-CASTING-LEFT	1	1	1
36	10184-E511	SUPPORT-CASTING-RIGHT	1	1	1
37	10184-E651	SUPPORT-SIDE SHELF	2	2	2
37A	10184-E63	SUPPORT-SIDE SHELF	2	2	2
38	10184-E641	SUPPORT-SIDE SHELF	2	2	2
38A	10184-E62	SUPPORT-SIDE SHELF	2	2	2
39	10956-E881	BRACE-REAR	1	1	1
40	10958-E81	BASE	1	1	1
41	10956-E591	BRACE-FRONT	1	1	1
42	10958-E79	DOOR	2	2	2
42A	10958-E851	DOOR - INNER	2	2	2
43	10958-E761	SIDE PANEL	2	2	2
44	10958-E901	PANEL - REAR	1	1	1
45	10184-E931	BRACKET - DOOR CATCH	1	1	1
48	10184-E681	BRACKET - SHELF	2	2	2
49	10711-E84	CONDIMENT BIN	2	2	2
50	10711-E92	SHELF	1	1	1
51	10711-E93	SHELF	1	1	1
52	10184-E78A	DOOR - TOP CAP - LEFT	1	1	1
53	10184-E76	DOOR - BOTTOM CAP - LEFT	1	1	1
54	10184-E79A	DOOR - TOP CAP - RIGHT	1	1	1
55	10184-E77	DOOR - BOTTOM CAP - RIGHT	1	1	1
56	10892-7G	WHEEL	2	2	2
60	10711-E47	END CAP - SHELF	1	1	1
61	10711-E44	EDGE CAP - SHELF	1	1	1

PARTS LIST / LISTE DES PIECES

<u>KEY #</u>	<u>ITEM #</u>	<u>DESCRIPTION</u>	<u>9878-82</u>	<u>9878-83</u>	<u>9878-86</u>
62	10711-E45	EDGE CAP - SHELF	1	1	1
63	10711-E48	END CAP - SHELF	1	1	1
64	10711-E43	EDGE CAP - SHELF	1	1	1
65	10711-E46	EDGE CAP - SHELF	1	1	1
66	S13015A	BURNER ROTISSERIE	1	1	1
67	S15508	ELECTRODE	1	1	1
68	S21362	SPRING	1	1	1
70	Y-11990	HEX NUT	1	1	1
71	10696-105	REAR BURNER-ORIFICE	1	•	•
	10696-115	REAR BURNER-ORIFICE	•	1	•
	10696-170	REAR BURNER-ORIFICE	•	•	1
72	S21420	PUSH NUT	2	2	2
74	S21084	SCREW #14 x 3/4	9	9	9
75	10184-E703A	HANDLE	1	1	1
76	S21255	WASHER	2	2	2
78	10892-15	CASTOR	2	2	2
79	Y-11561	SCREW 1/4:20 x 1 3/4	8	8	8
80	Y-11546	SCREW 1/4-20 X 5/8	8	8	8
81	Y-12860	SCREW 1/4-20 X 1 3/8	8	8	8
82	Y-12673	SHELF - LOCK PIN	2	2	2
83	Y-12855	SCREW 1/4-20 X 3/8	4	4	4
84	S15170	AXLE	1	1	1
85	Y-12865	SCREW 1/4-20 X 1/2	12	12	8
87	Y-11793	NUT 1/4-20	10	10	10
96	S21125	SCREW 8 X 3/8	16	16	16
98	S21124	SCREW 8 X 1/2	27	27	27
98A	Y-12643	SCREW 8 X 1/2	12	12	12
99	Y-12646	SCREW SHOULDER 8 X 1/2	2	2	2
104	Y-12835	SCREW 6-32 X 1/4	2	2	2
106	Y-12861	SCREW 1/4-20 X 3/8	2	2	2
107	Y-12863	WASHER	4	4	4
110	23009-99	GRID	1	1	1
111	10390-R81A	SIDE BURNER	1	1	1
113	10342-T16	ELECTRODE – SIDE BURNER	1	1	1
114	23000-254	COVER-SIDE BURNER	1	1	1
117	23000-271	SHELF-SIDE BURNER	1	1	1
123	S15115	GREASE PAN - DISPOSABLE	1	1	1
124	Y-12117	BUSHING	2	2	2
125	Y-12220	BUSHING	1	1	1
135	Y-12119	BUSHING	3	3	3
136	10184-E43	ROTISSERIE SHIELD	1	1	1
137	10184-E42	ROTISSERIE BRACKET	1	1	1
138	10184-E44	ROTISSERIE SHIELD	1	1	1
139	S21061	WING NUT	2	2	2
140	Y-29306	SCREW 10-24 x 3/4	2	2	2
141	S15271	HANDLE	1	1	1
142	S15270	BALANCER	1	1	1
143	S15263	BUSHING	1	1	1
144	S15287	4 PRONG FORKS	2	2	2
145	S15257	SPIT ROD	1	1	1
146	S15236	ROTISSERIE MOTOR	1	1	1
147	S15299	WASHER	1	1	1
156	Y-12124	DOOR PIN CAP	2	2	2
157	Y-12871	SCREW M4 X 0.7	2	2	2
160	Y-29304	SCREW #10-24	2	2	2

