

# Broil King®

ASSEMBLY MANUAL & PARTS LIST

MANUEL DE MONTAGE & LISTE DE PIÈCES



## Broil King

SOVEREIGN 90

9878-82

9878-83

9878-86

RETAIN FOR FUTURE REFERENCE

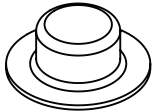
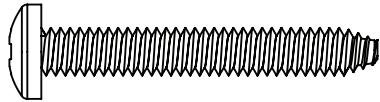

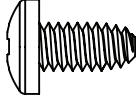

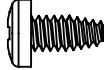
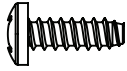

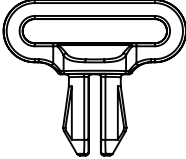
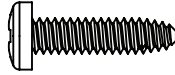

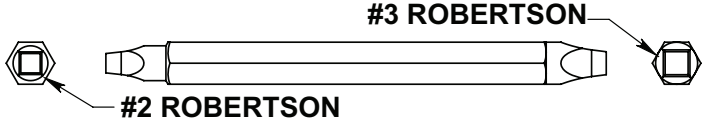
VEUILLEZ CONSERVER POUR REFERENCE ULTERIEURE

*Onward*  
MANUFACTURING COMPANY LIMITED  
SINCE 1906  
585 KUMPF DRIVE  
WATERLOO, ONTARIO, CANADA  
N2V 1K3

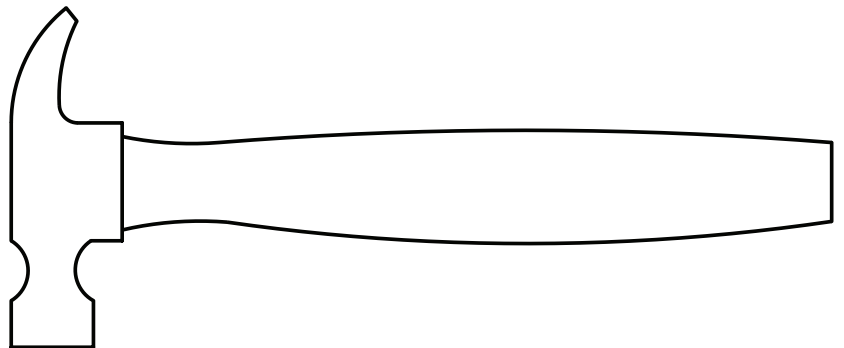
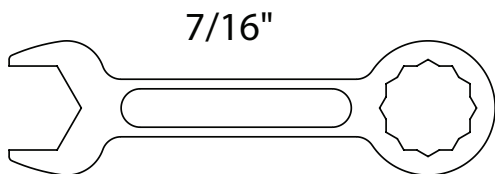
info@omcbbq.com  
1-800-265-2150

10084-E48EU REV C 04/18

HARDWARE INCLUDED / MATERIAL INCLUS / EQUIPOS INCLUIDO

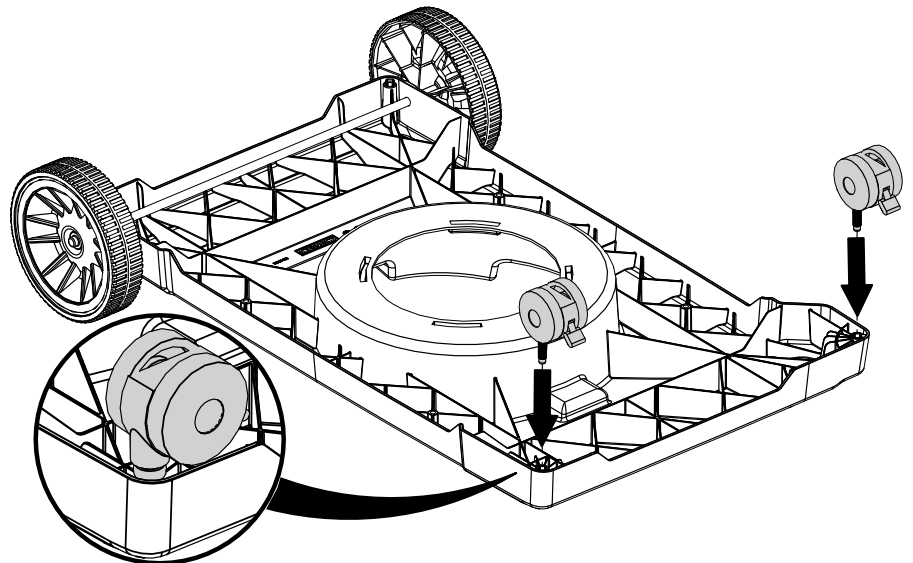
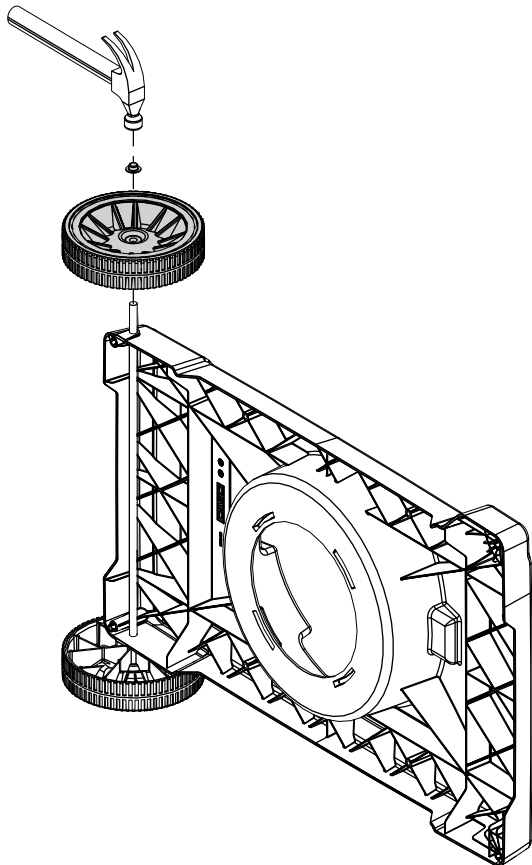
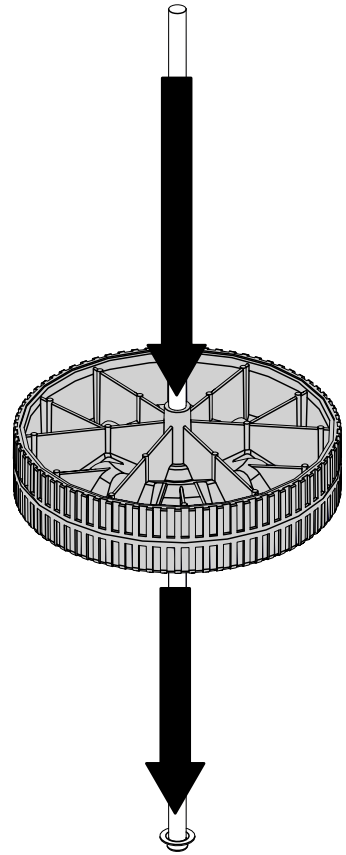
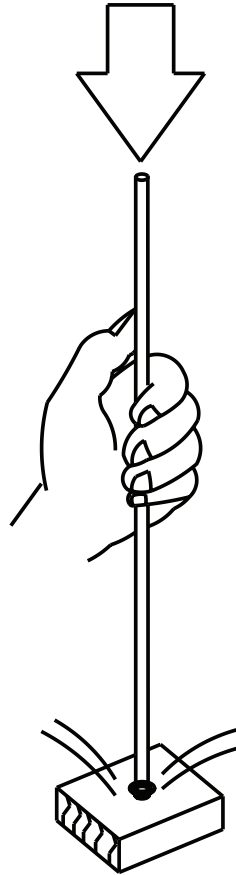
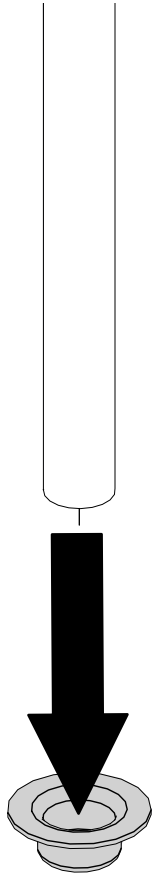
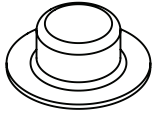
|         |   |    |  |  |    |
|---------|---|----|--|--|----|
| S21420  |    | X2 | Y-11651  |    | X4 |
| Y-11793 |    | X2 | Y-12865  |   | X8 |
| AAA     |    | X1 | Y-29304  |   | X2 |
| S21124  |    | X2 | Y-12124  |   | X2 |
| Y-12673 |   | X2 | Y-29306  |  | X2 |
| S21061  |  | X2 |  <p>#3 ROBERTSON</p> <p>#2 ROBERTSON</p> |  |    |
|         |   |    |  |  |    |

TOOLS REQUIRED / OUTILS NECESSAIRES / HERRAMIENTAS NECESARIAS

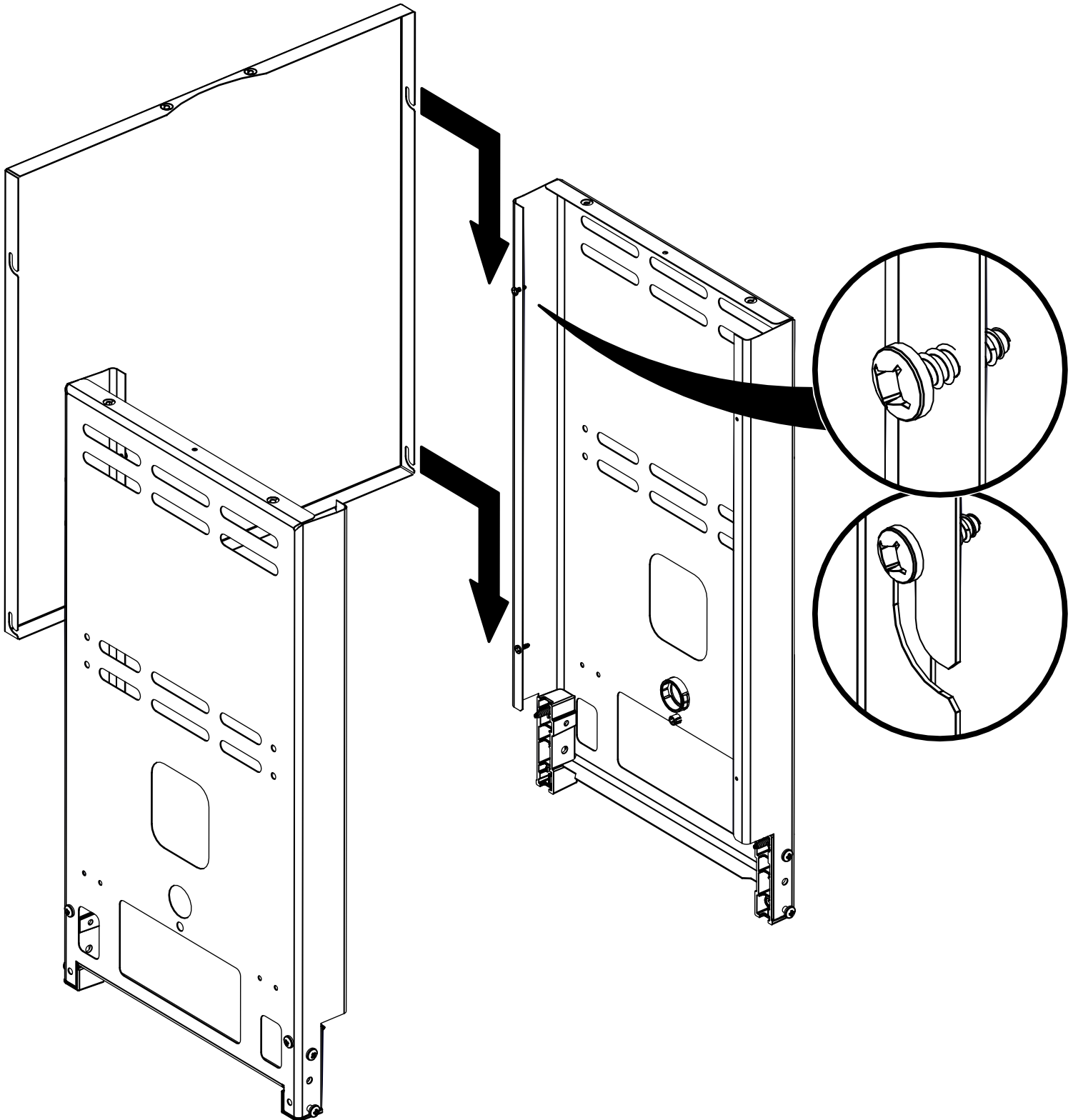


1

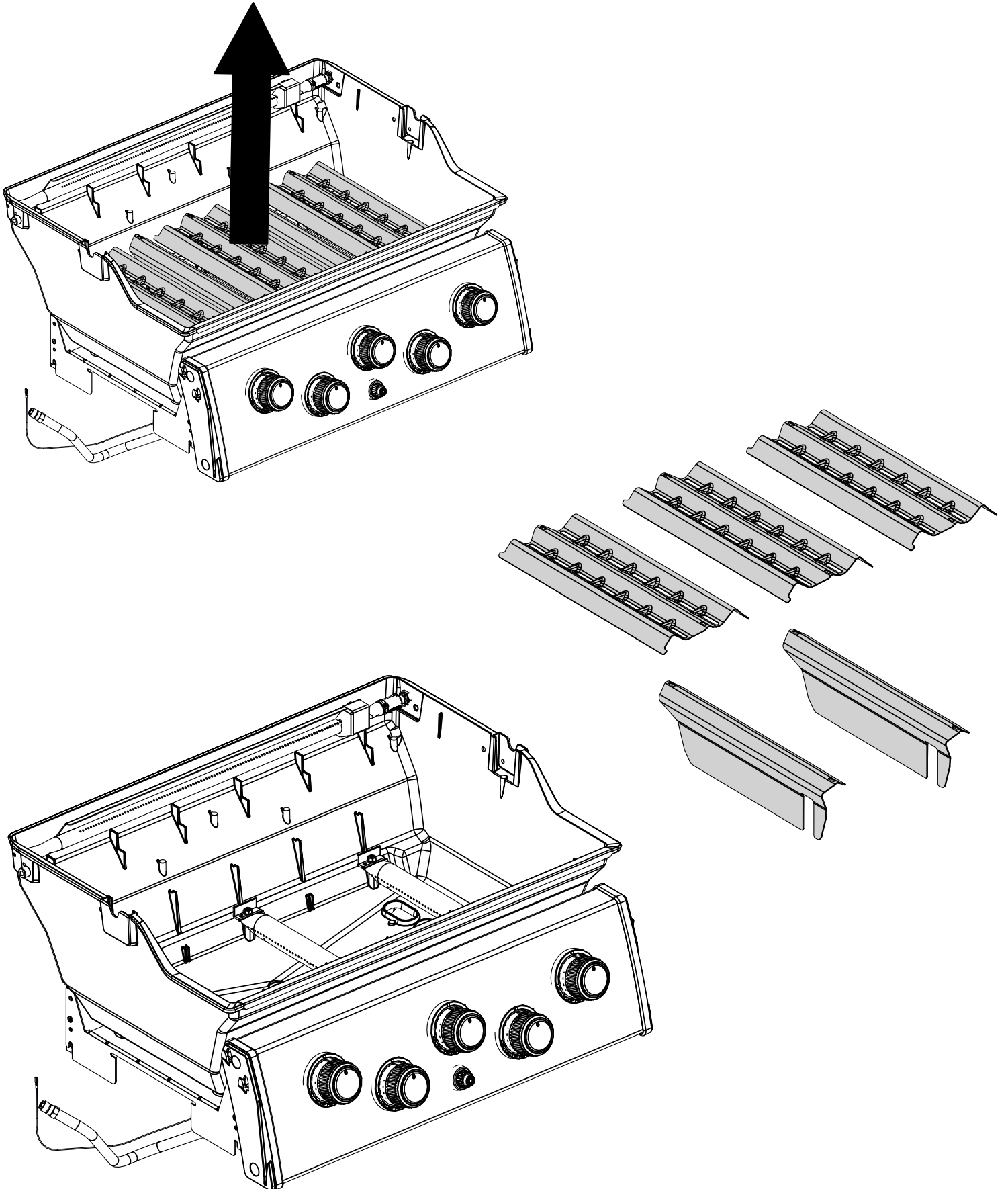
(2)



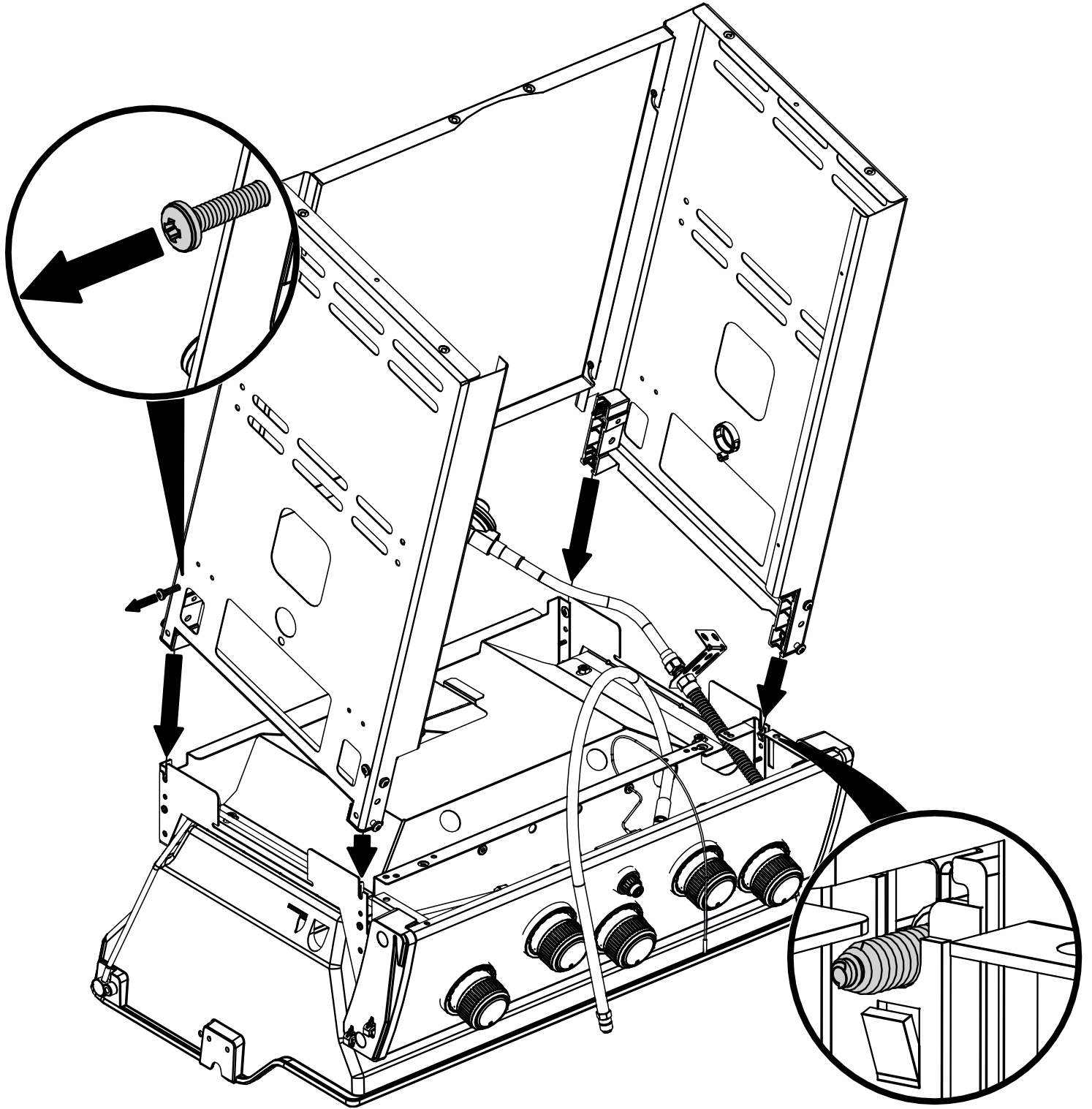
2



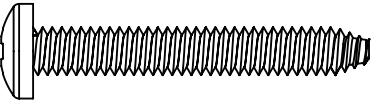
3

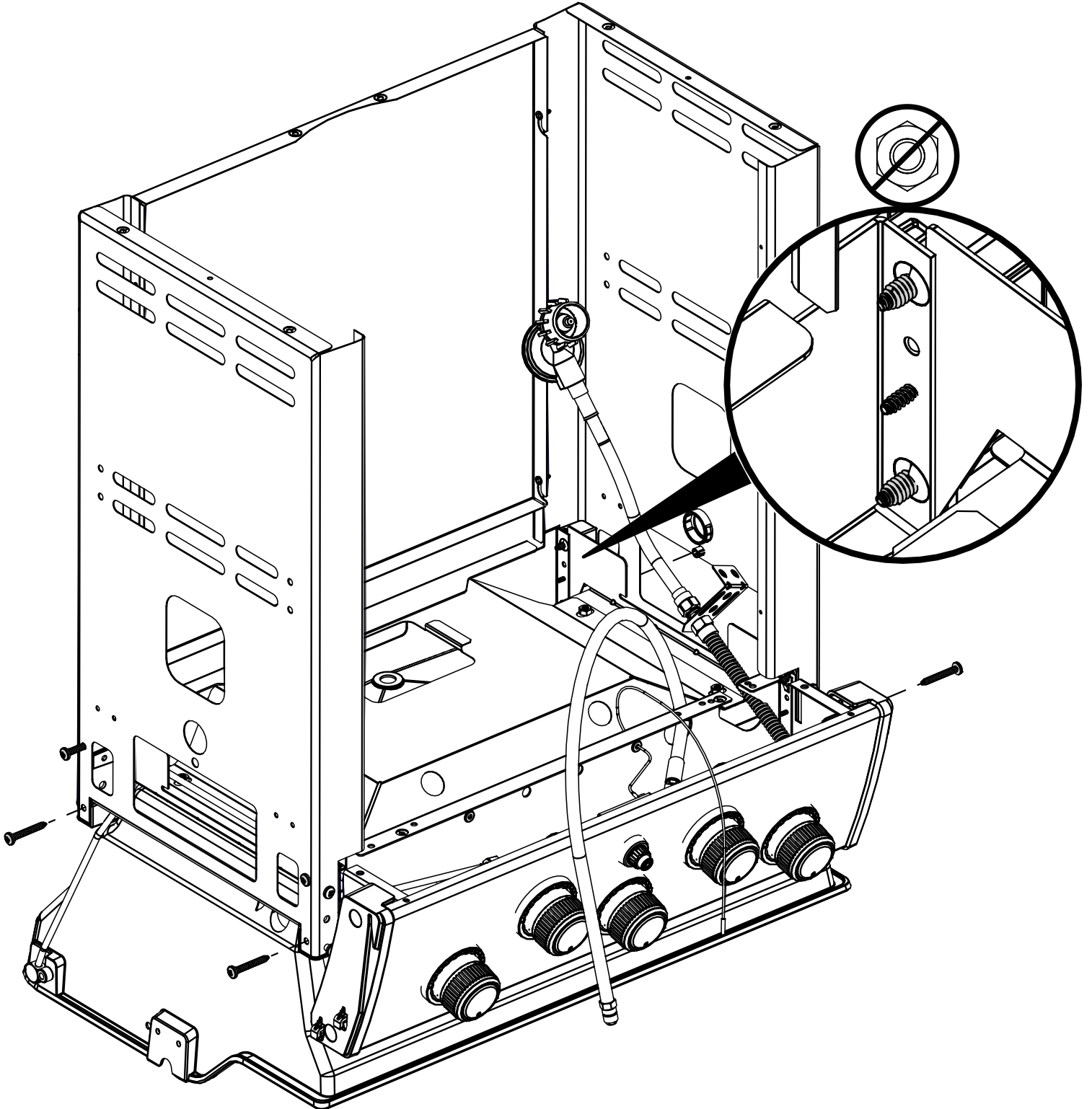


4



5

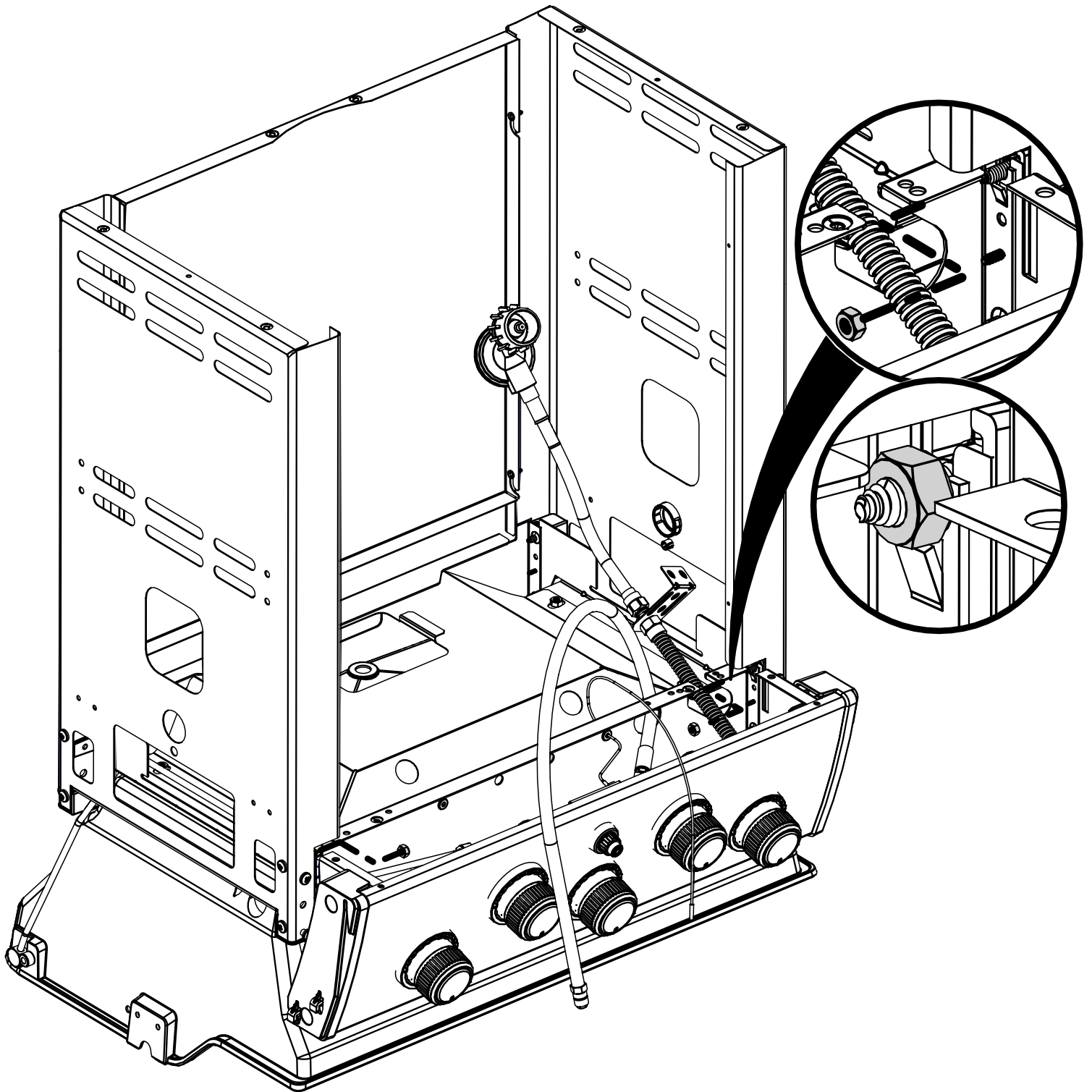
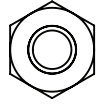
(4) 





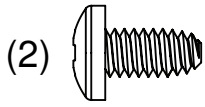
6

(2)





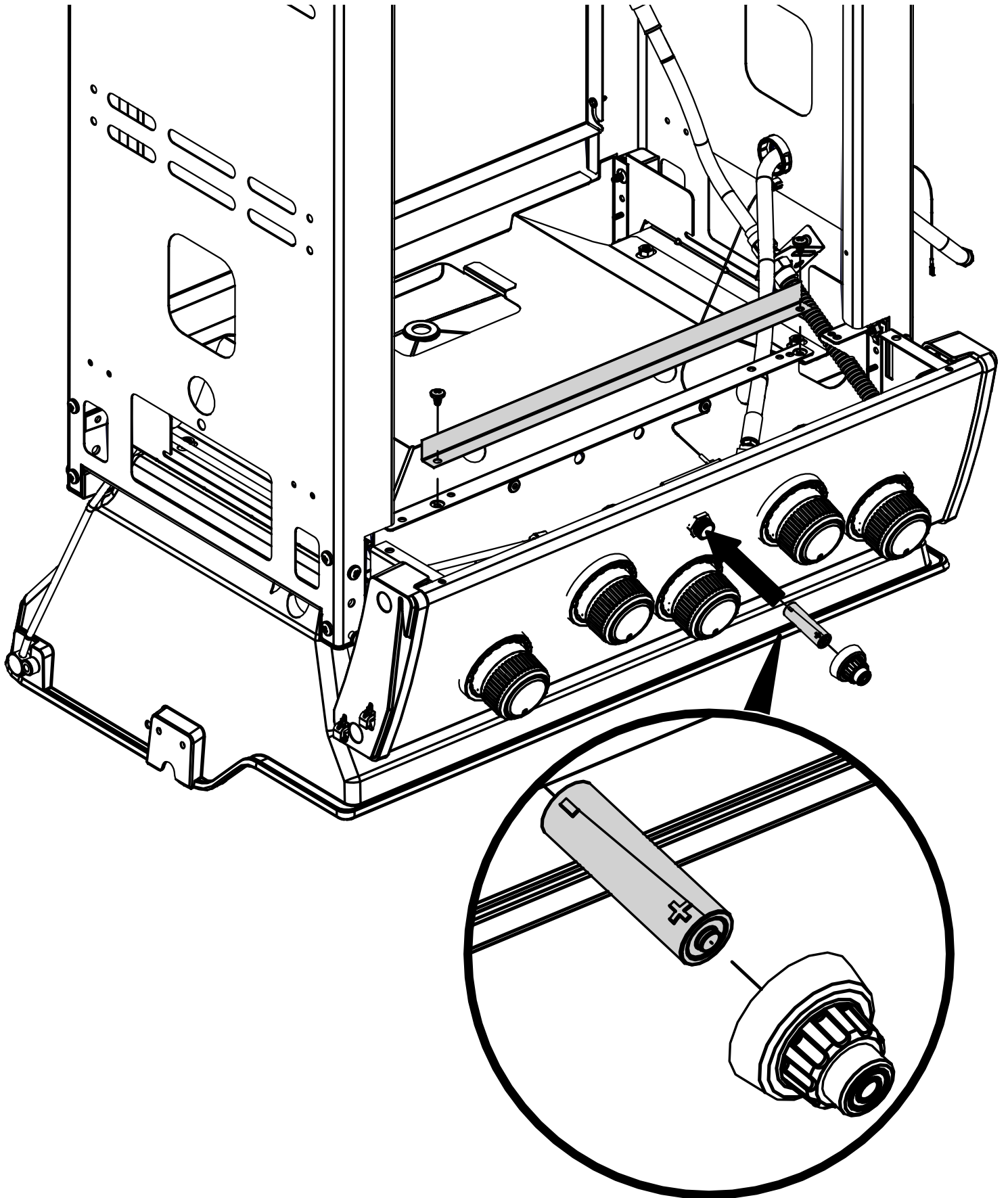
# 7



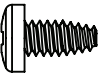
(1)

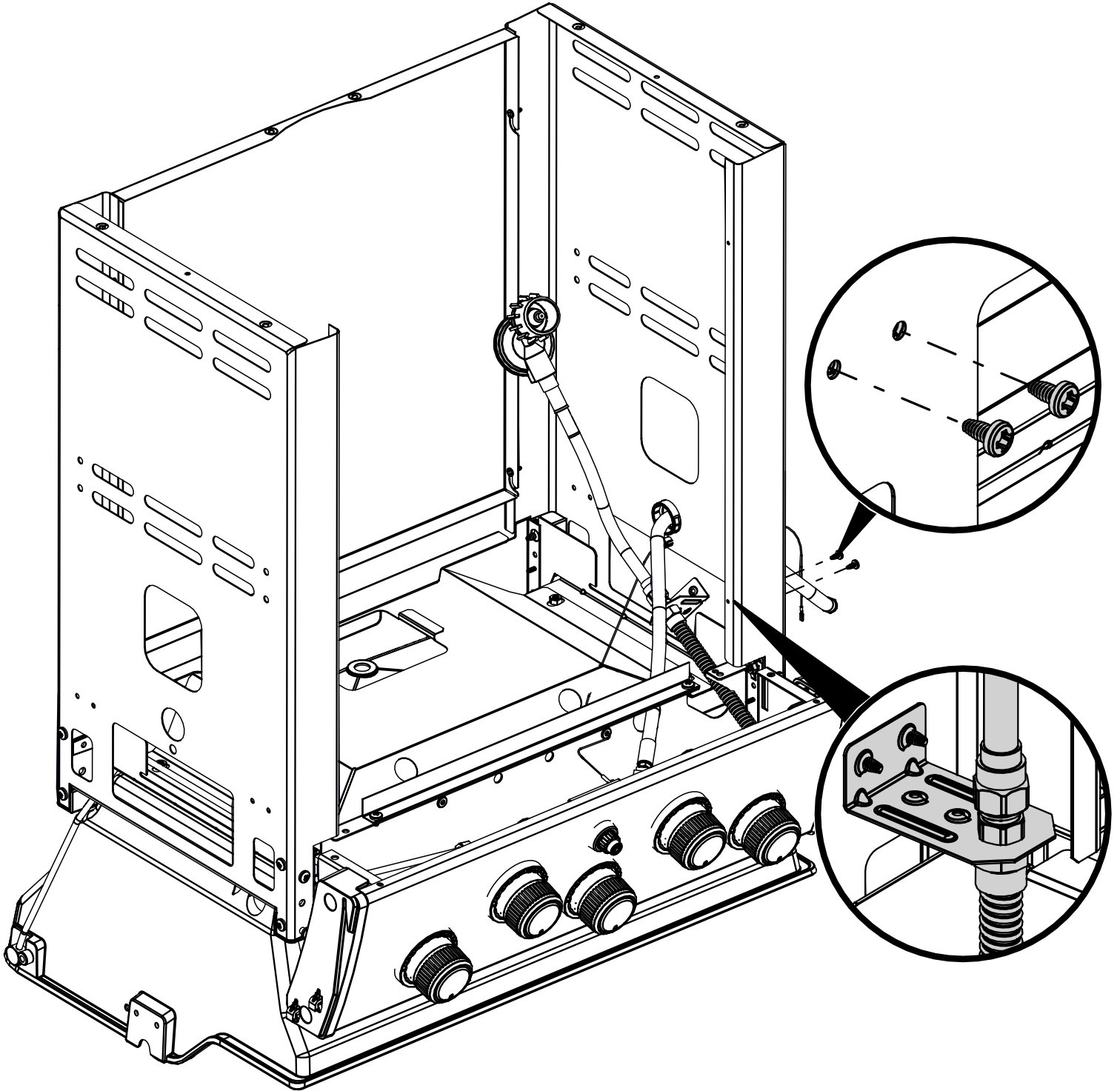


AAA

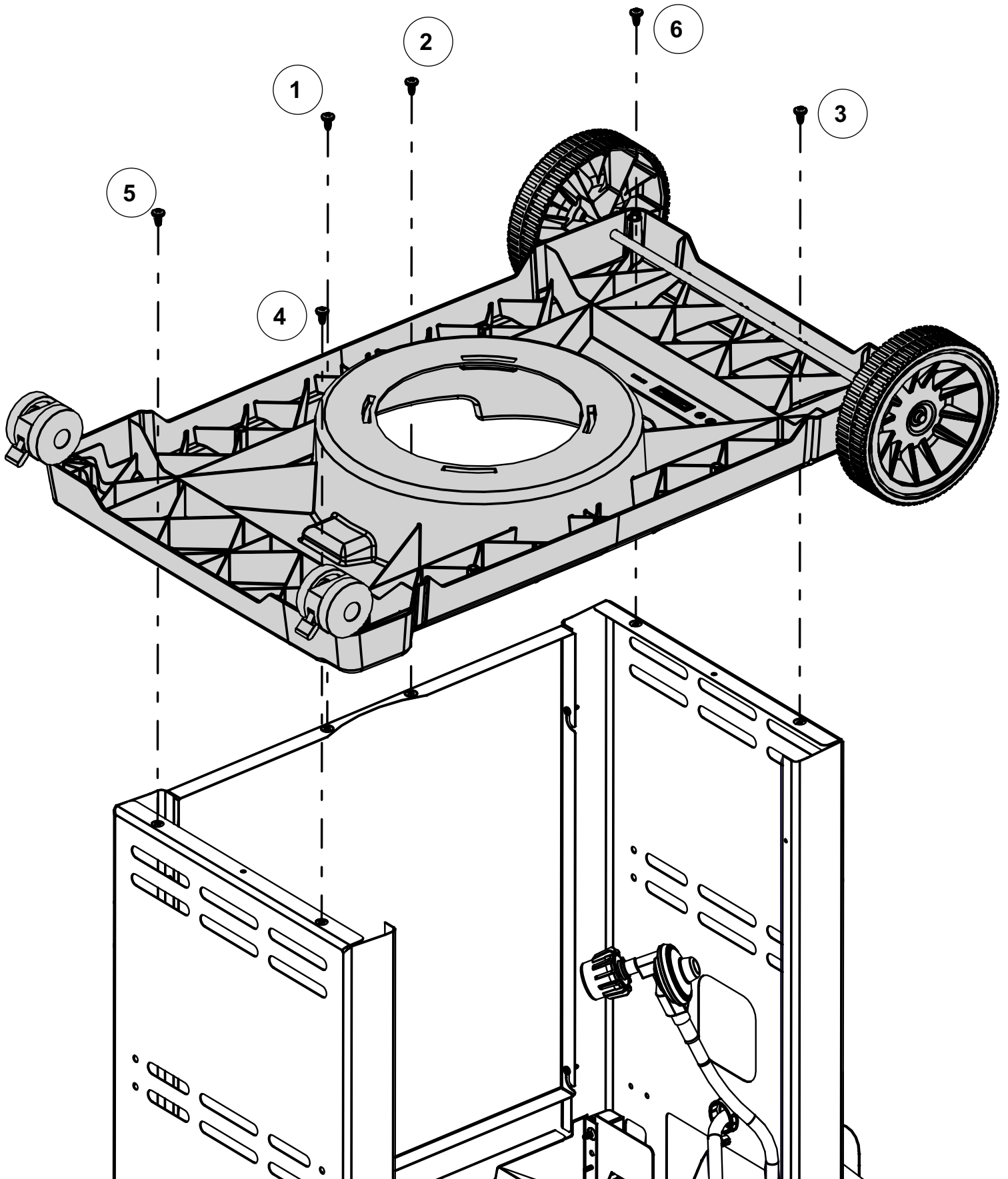
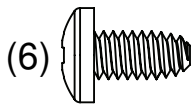


8

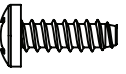
(2) 



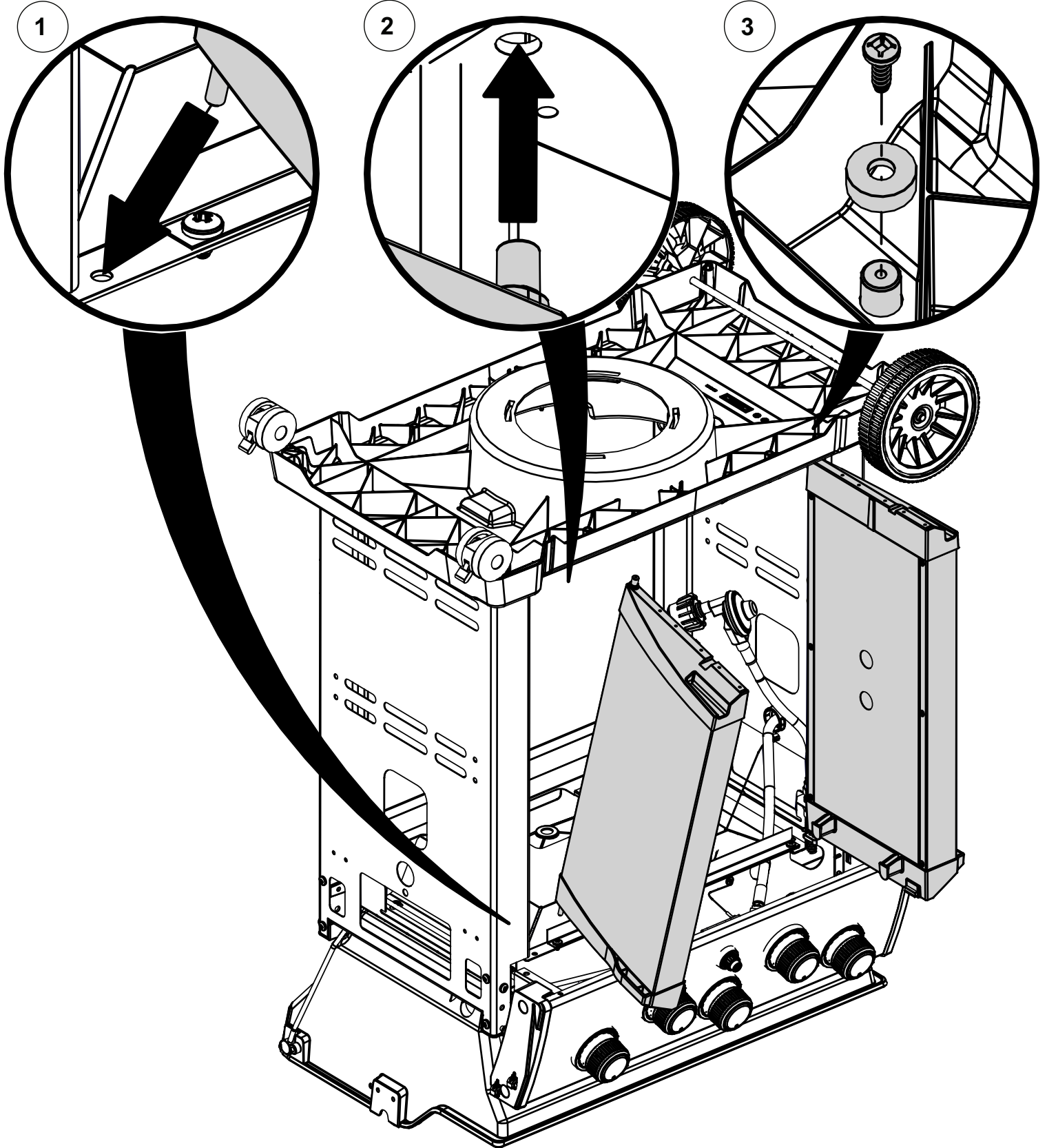
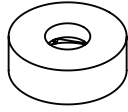
9

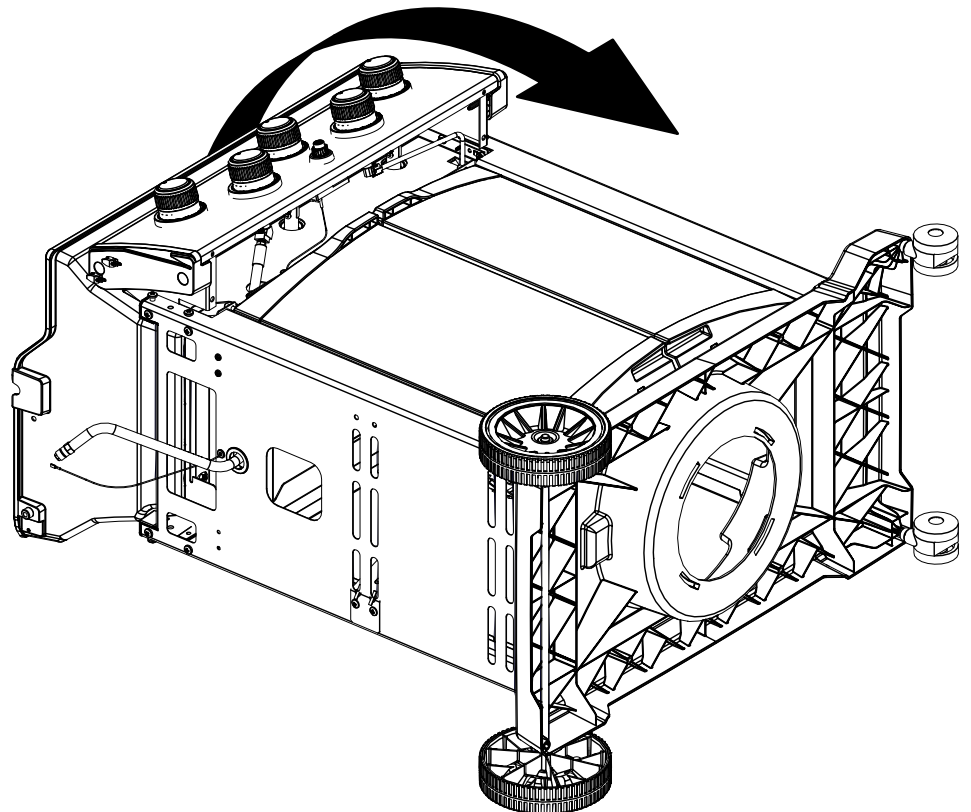
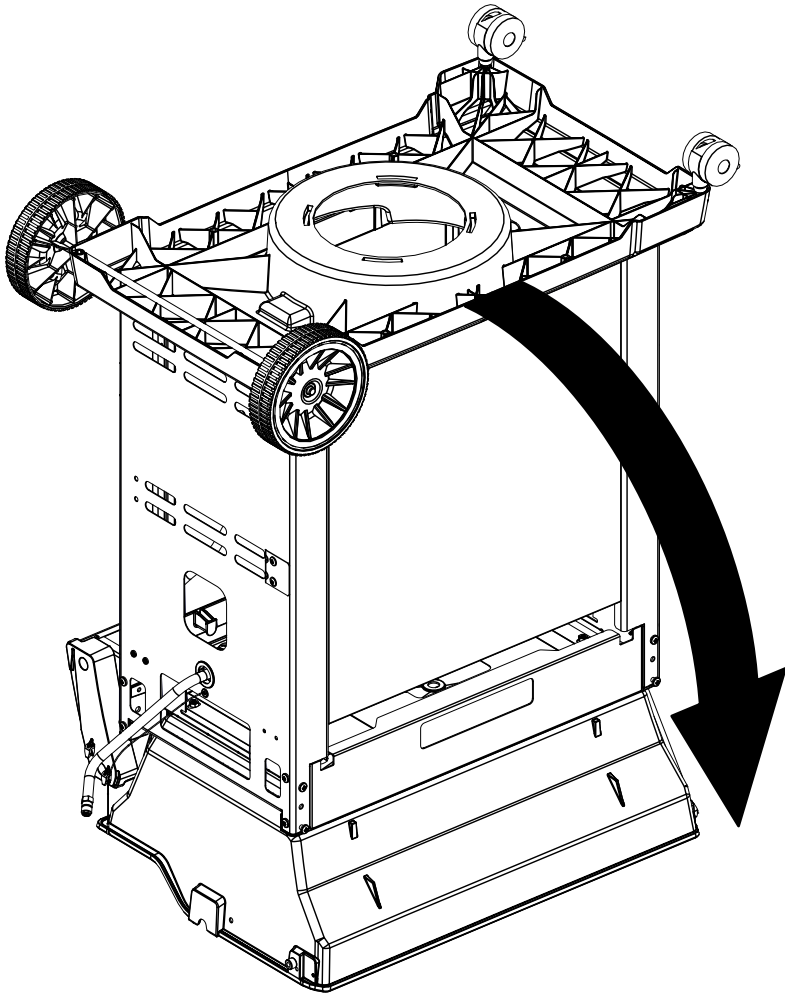


# 10

(2) 

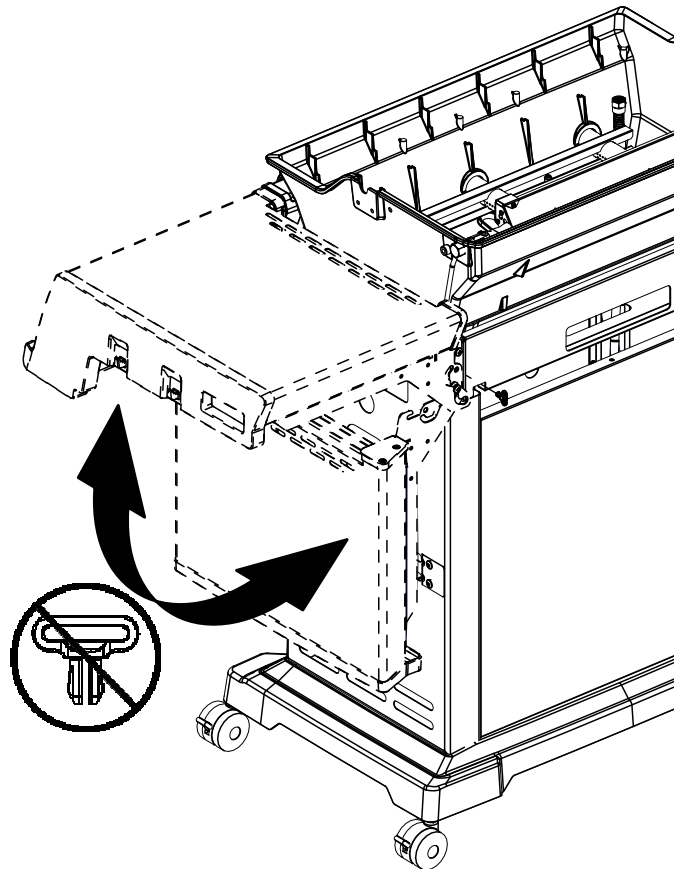
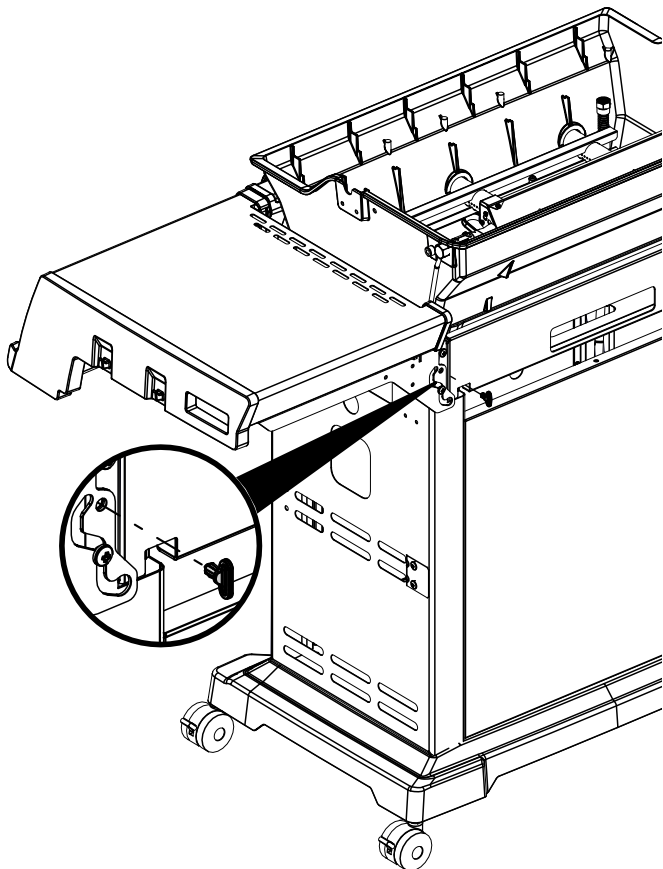
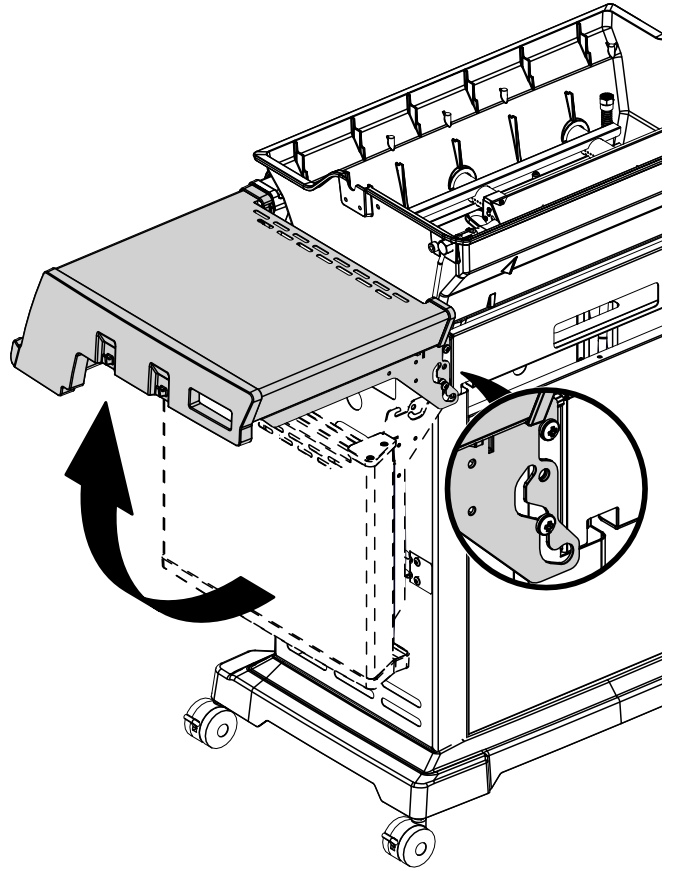
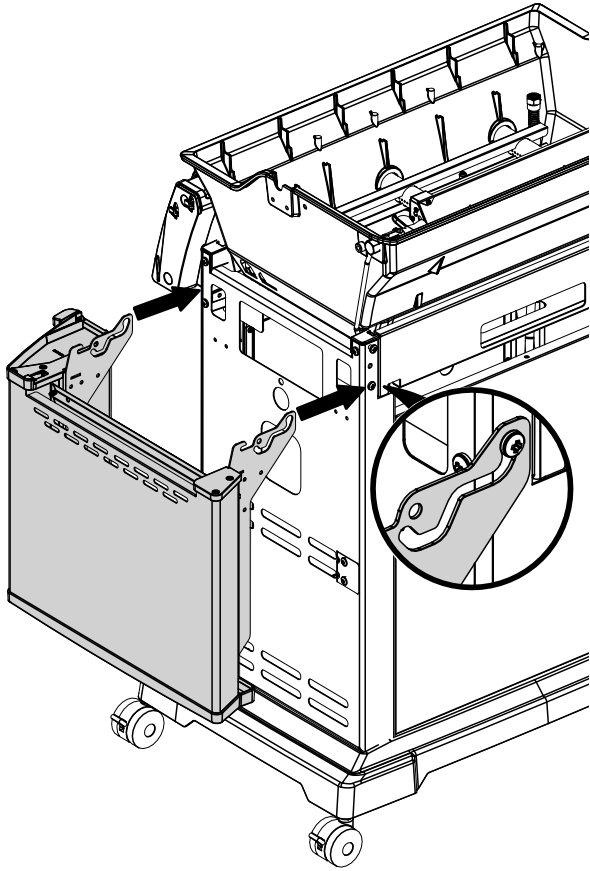
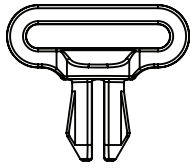
(2)





# 12

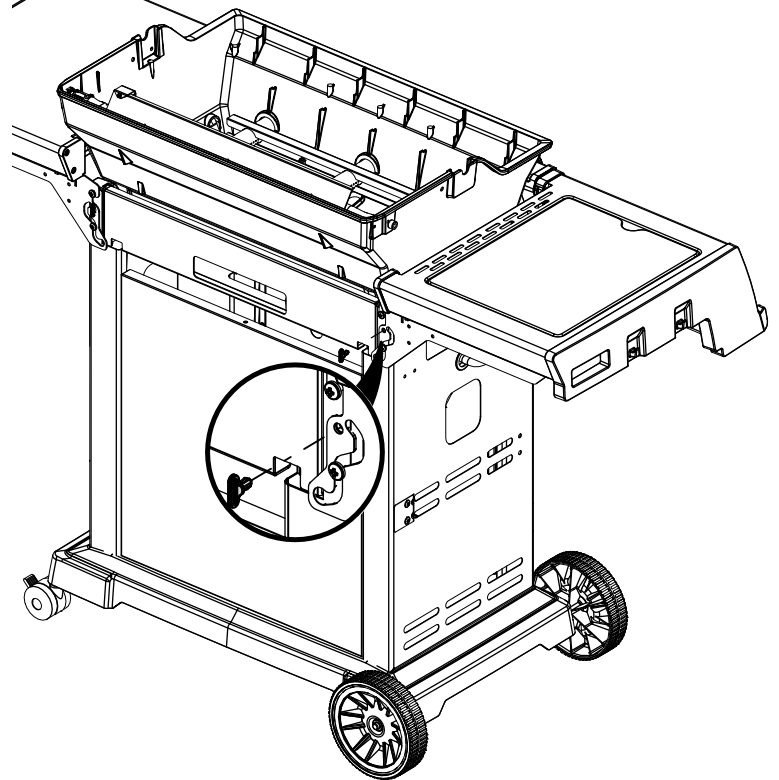
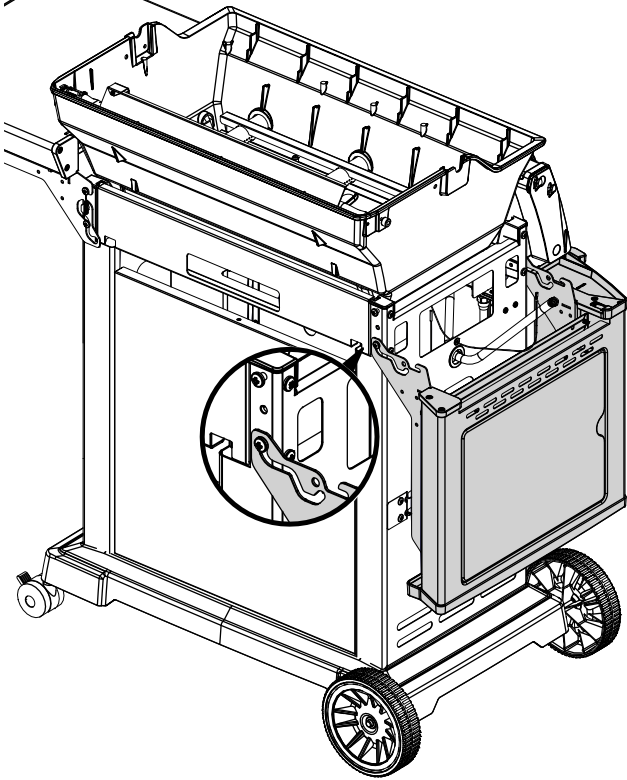
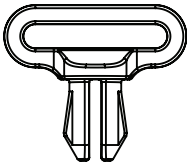
(1)





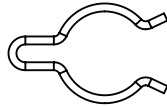
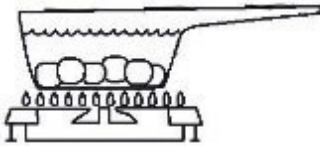
# 13

(1)

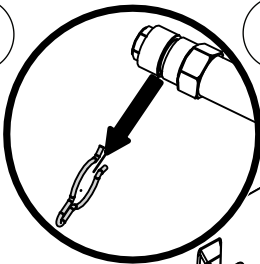


# 14

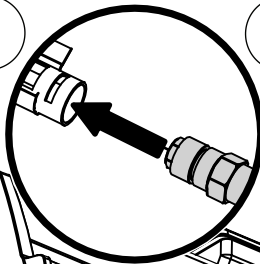
(1)



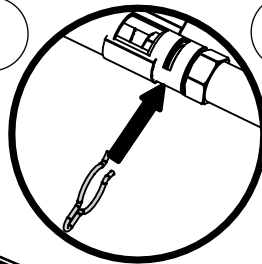
1



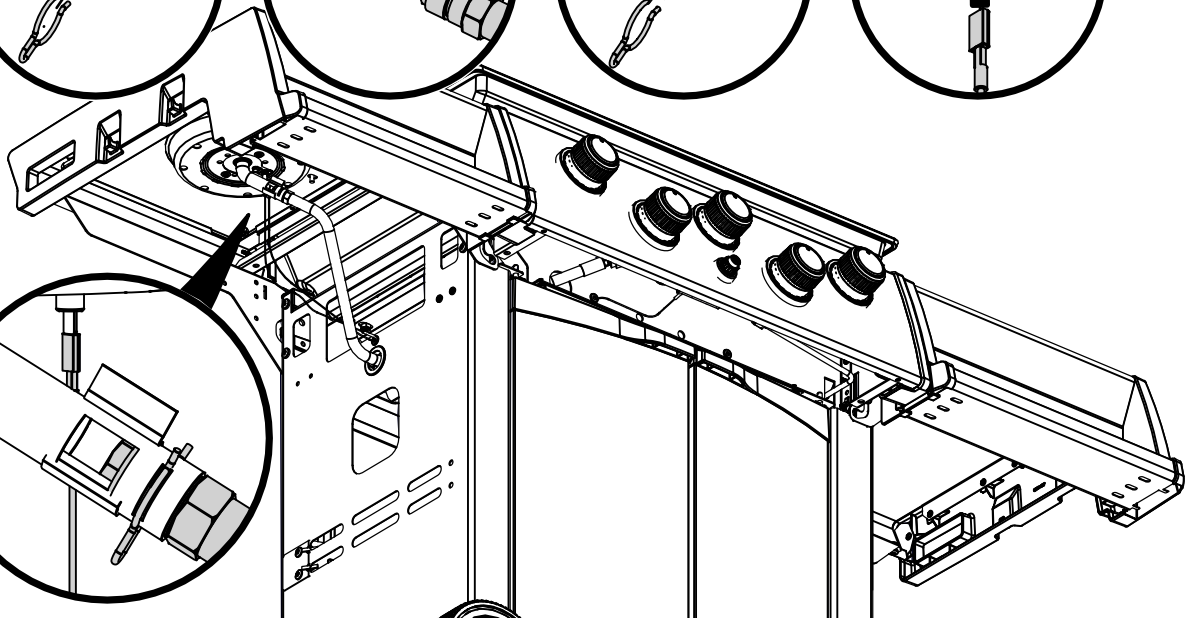
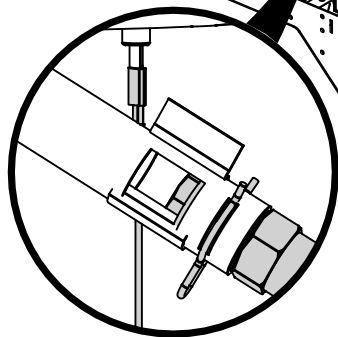
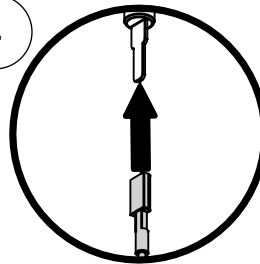
2



3

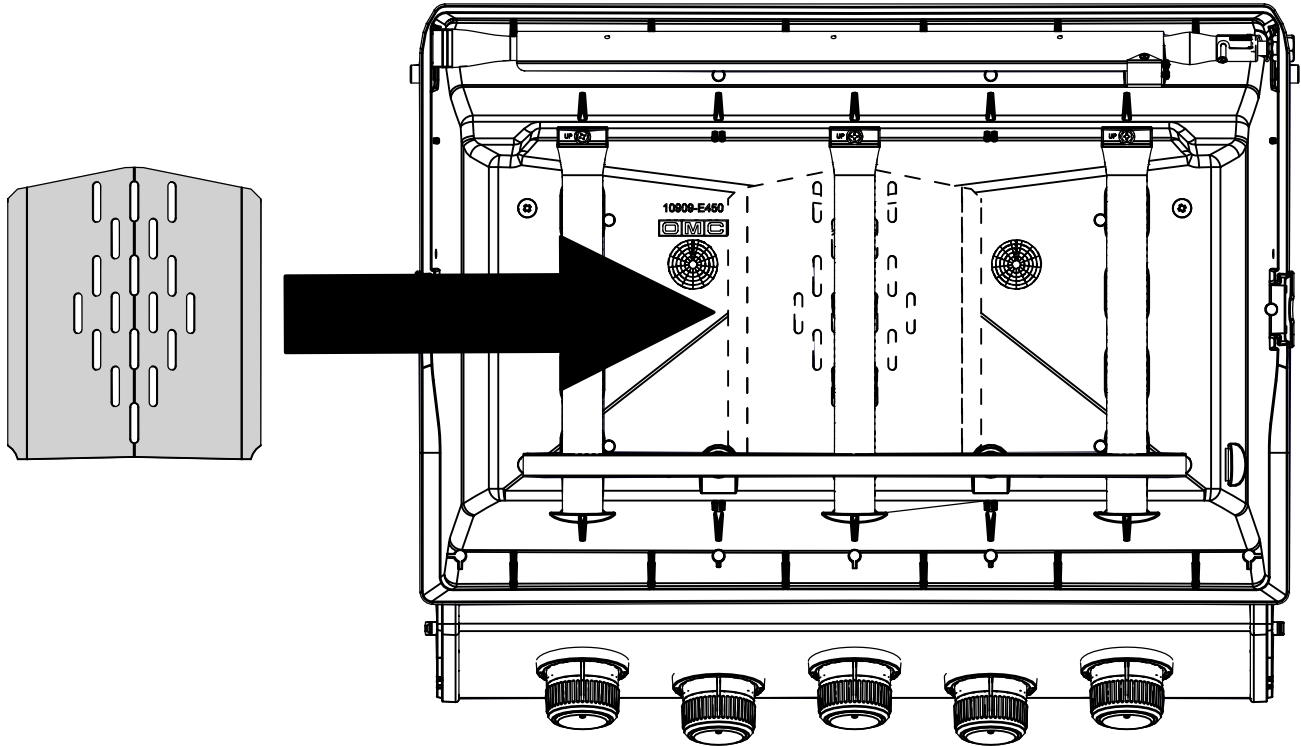


4

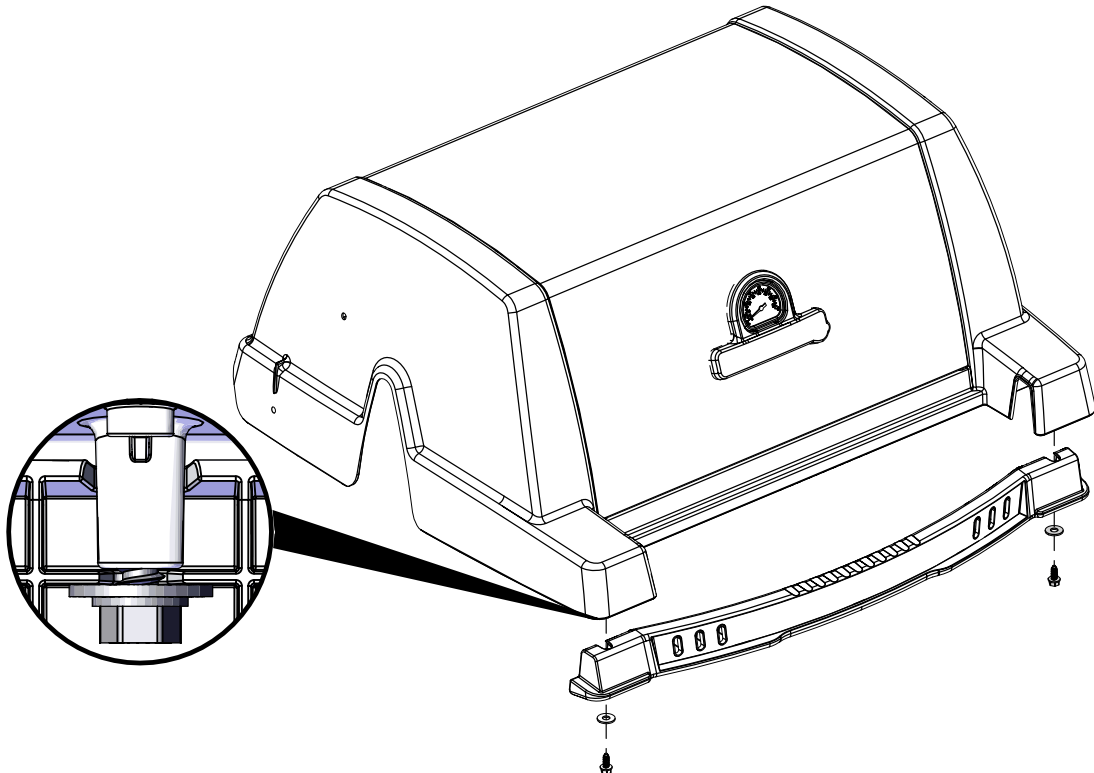
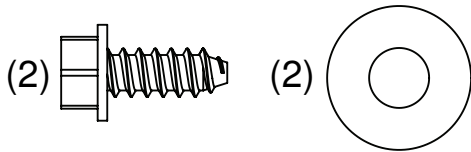




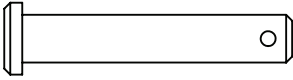
# 15

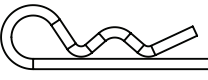


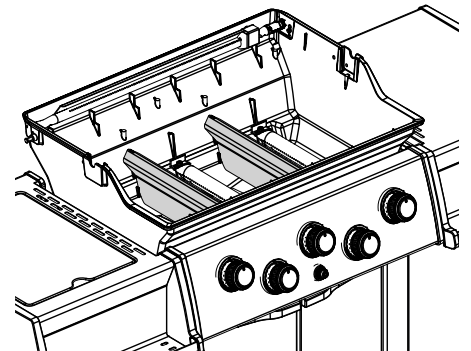
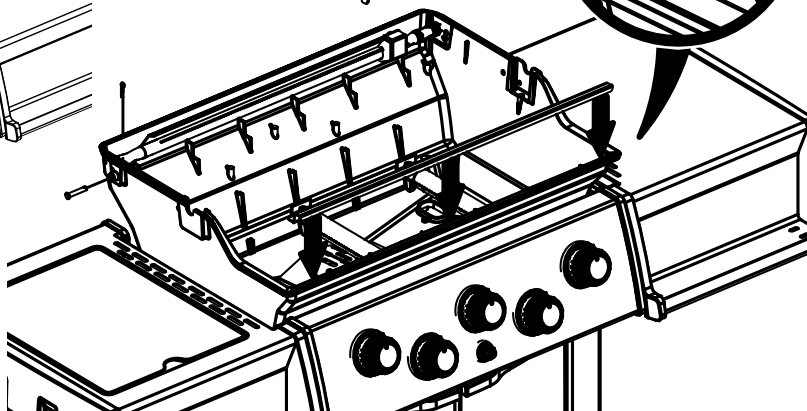
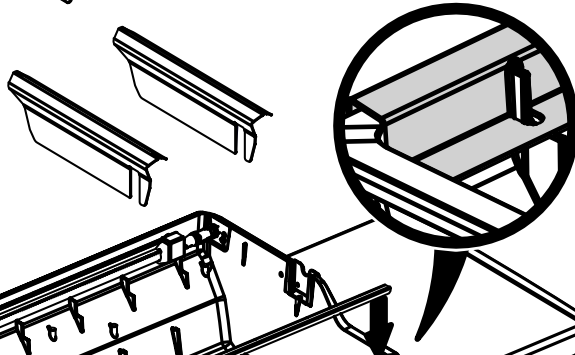
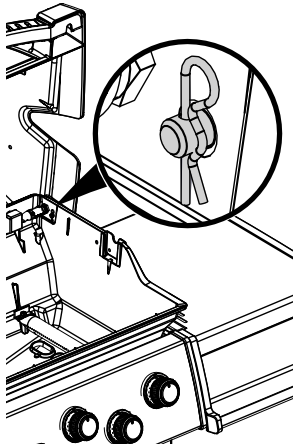
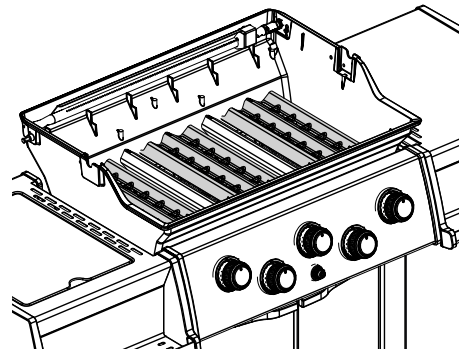
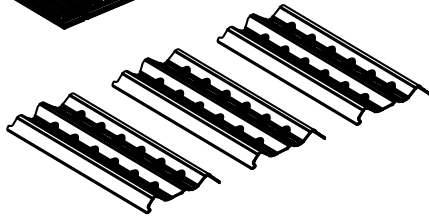
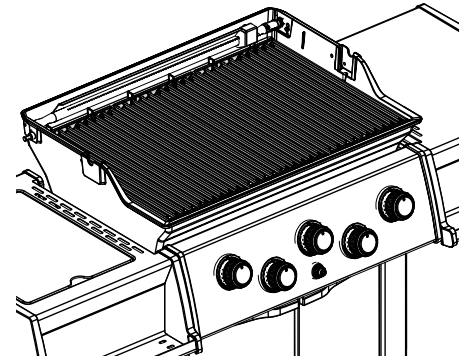
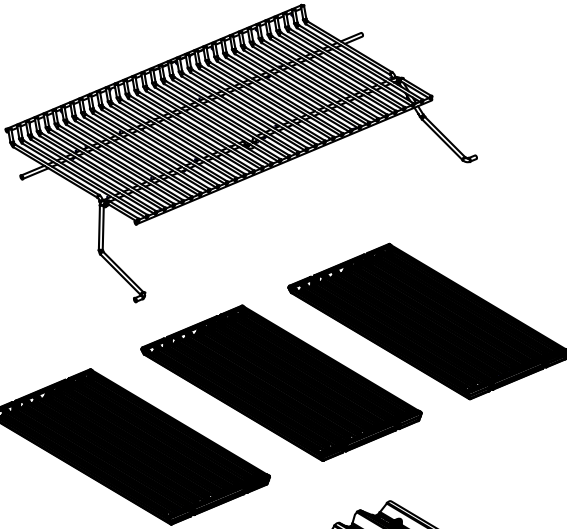
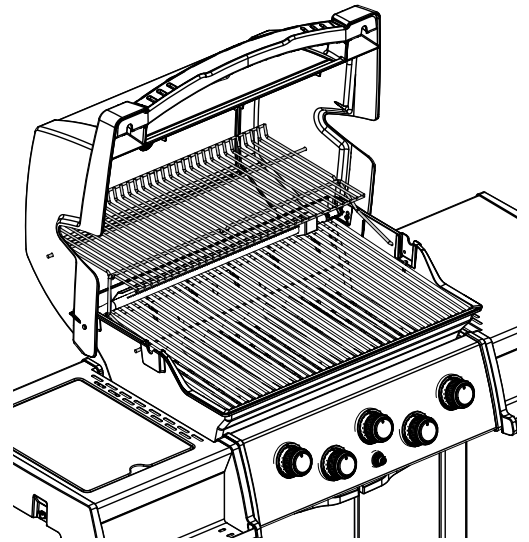
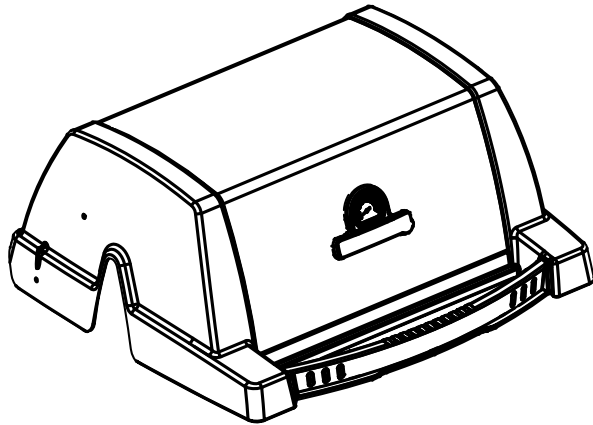
# 16

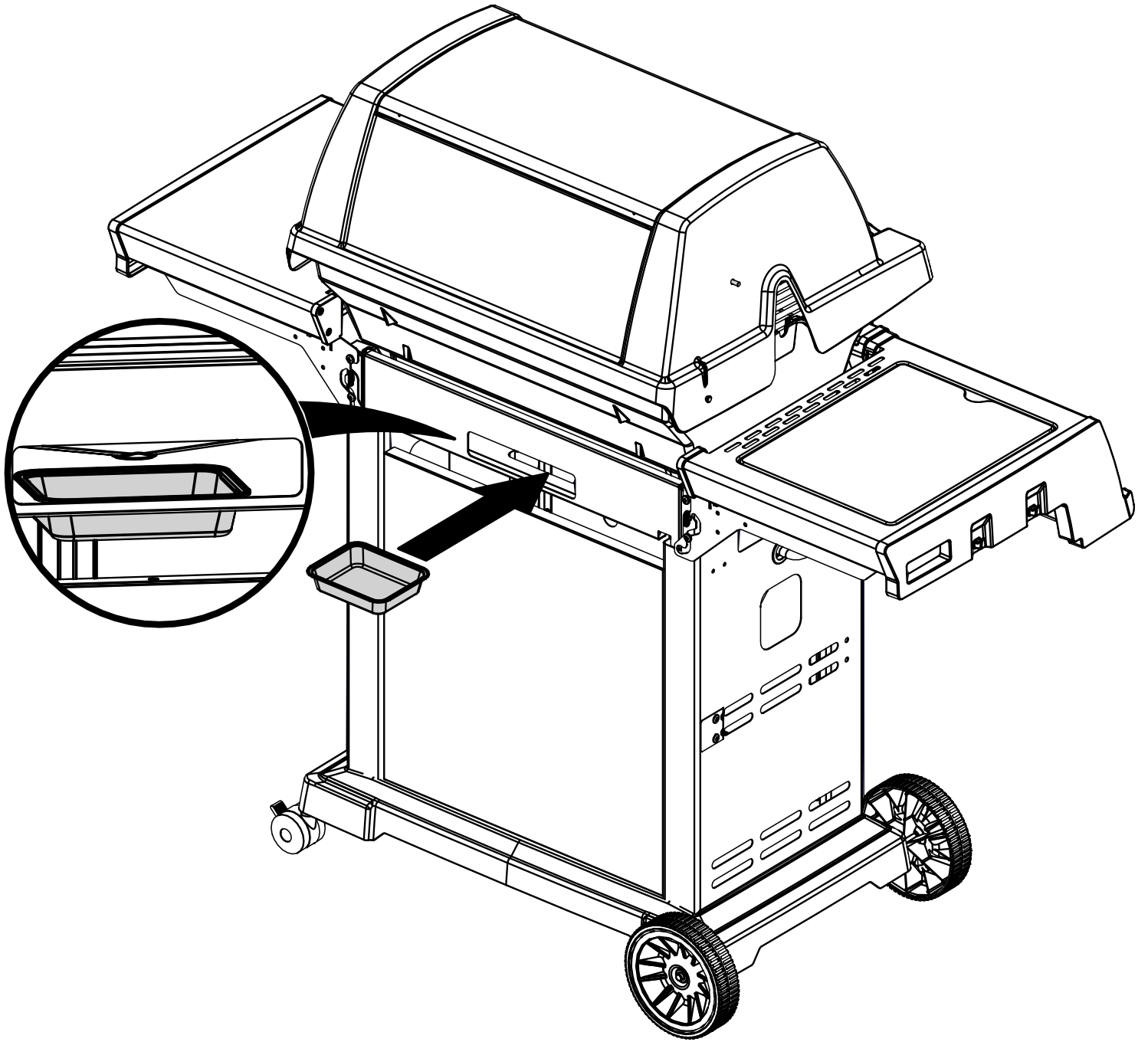


# 17

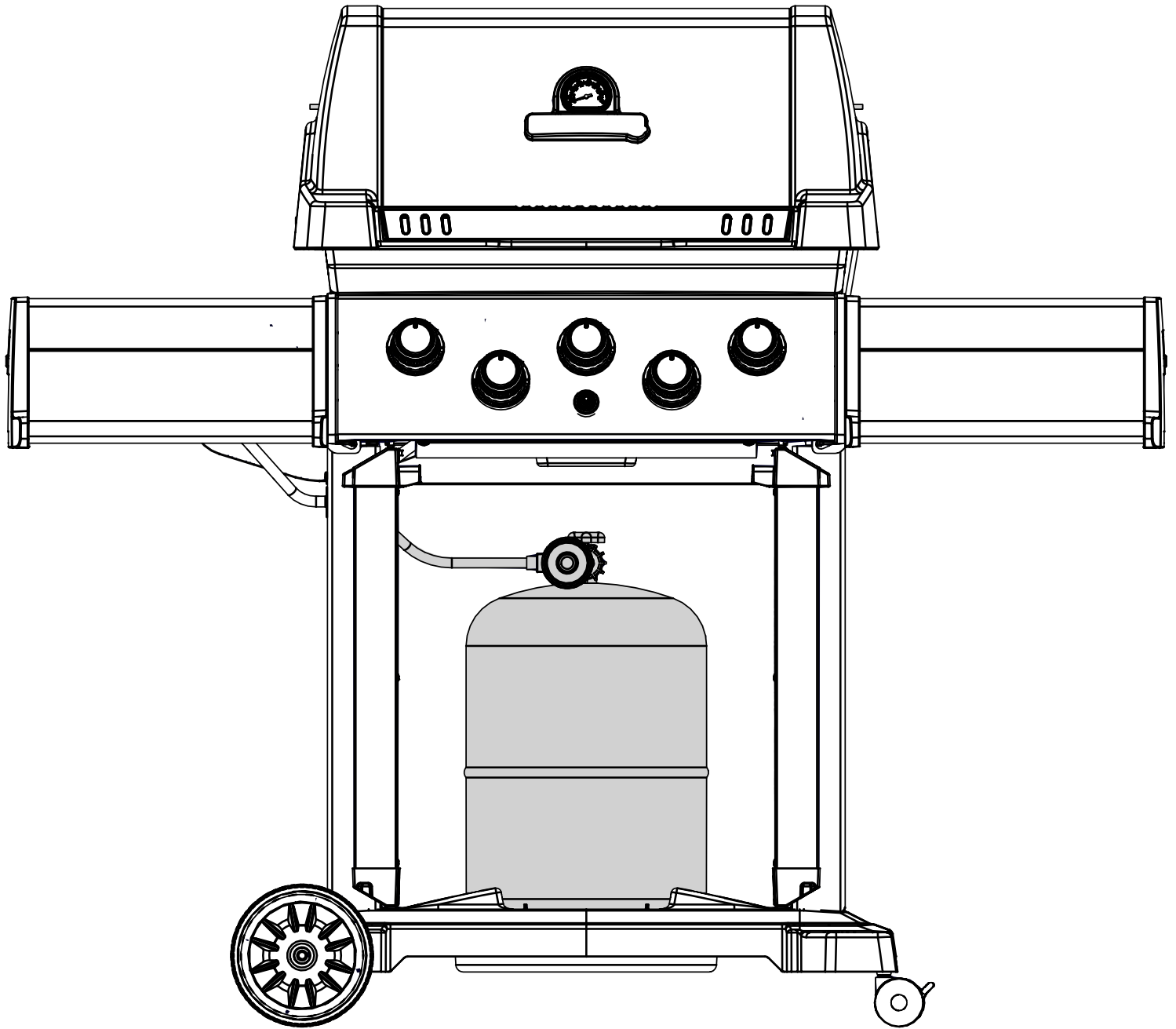
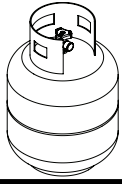
(2) 

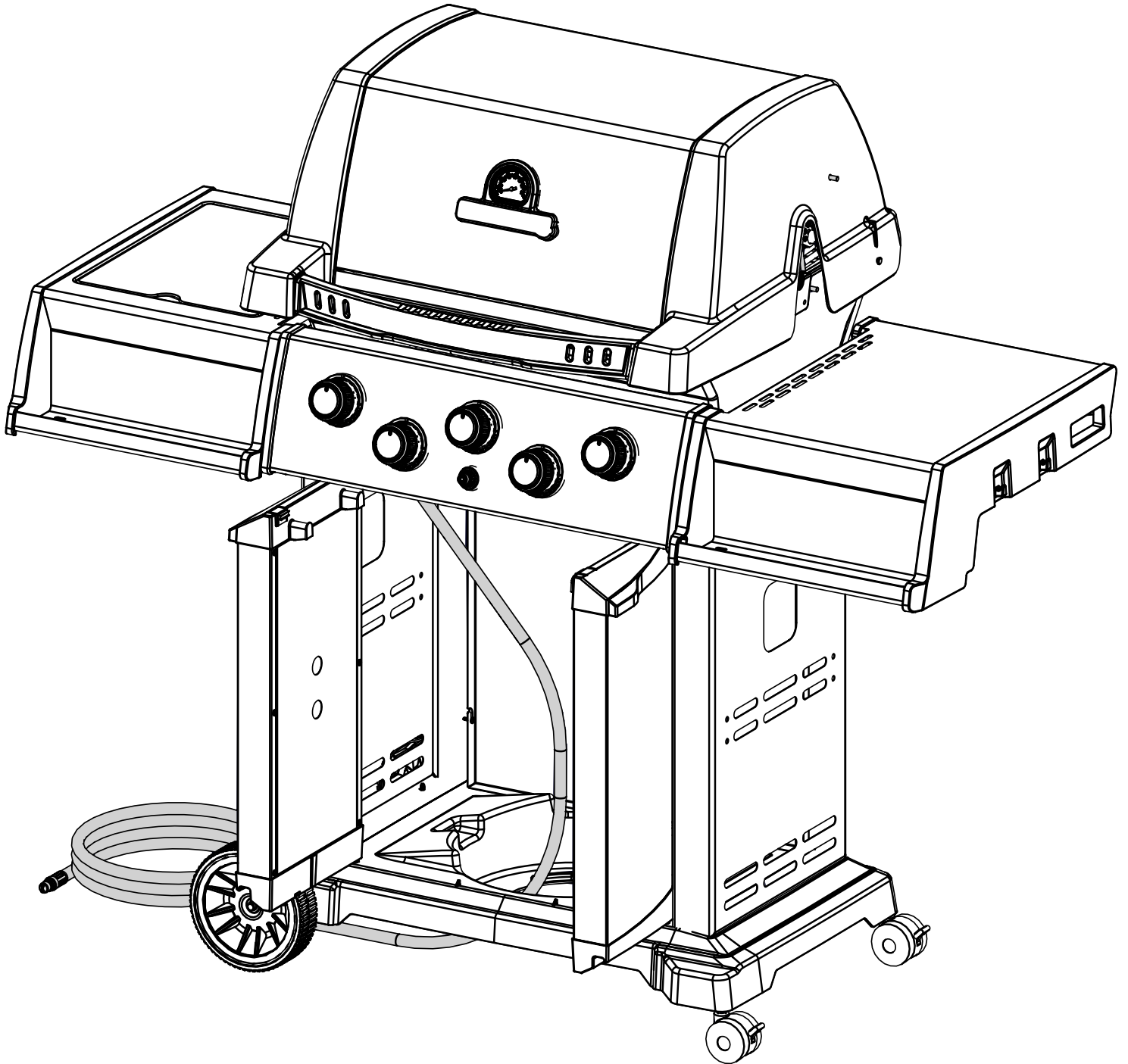
(2) 

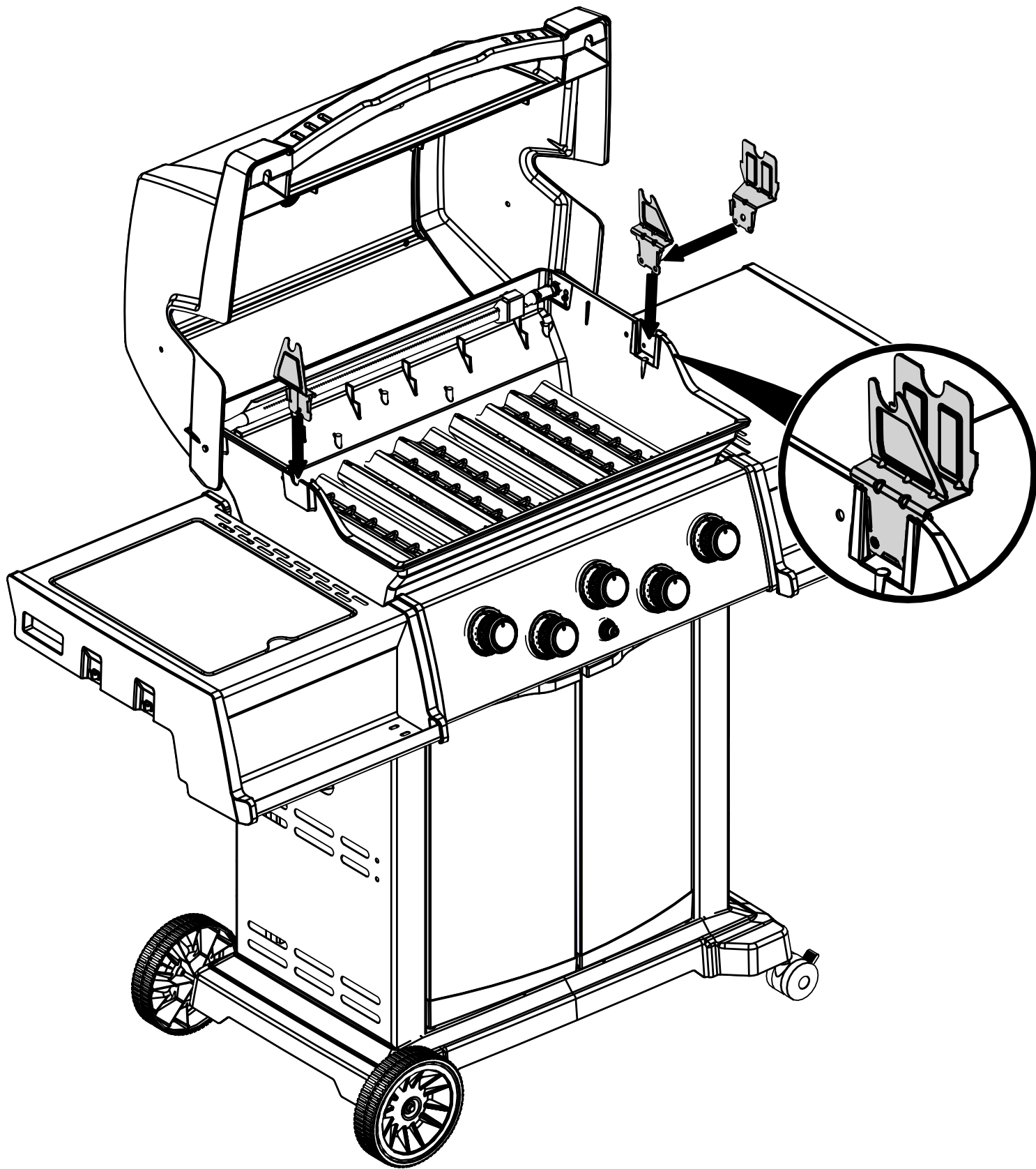




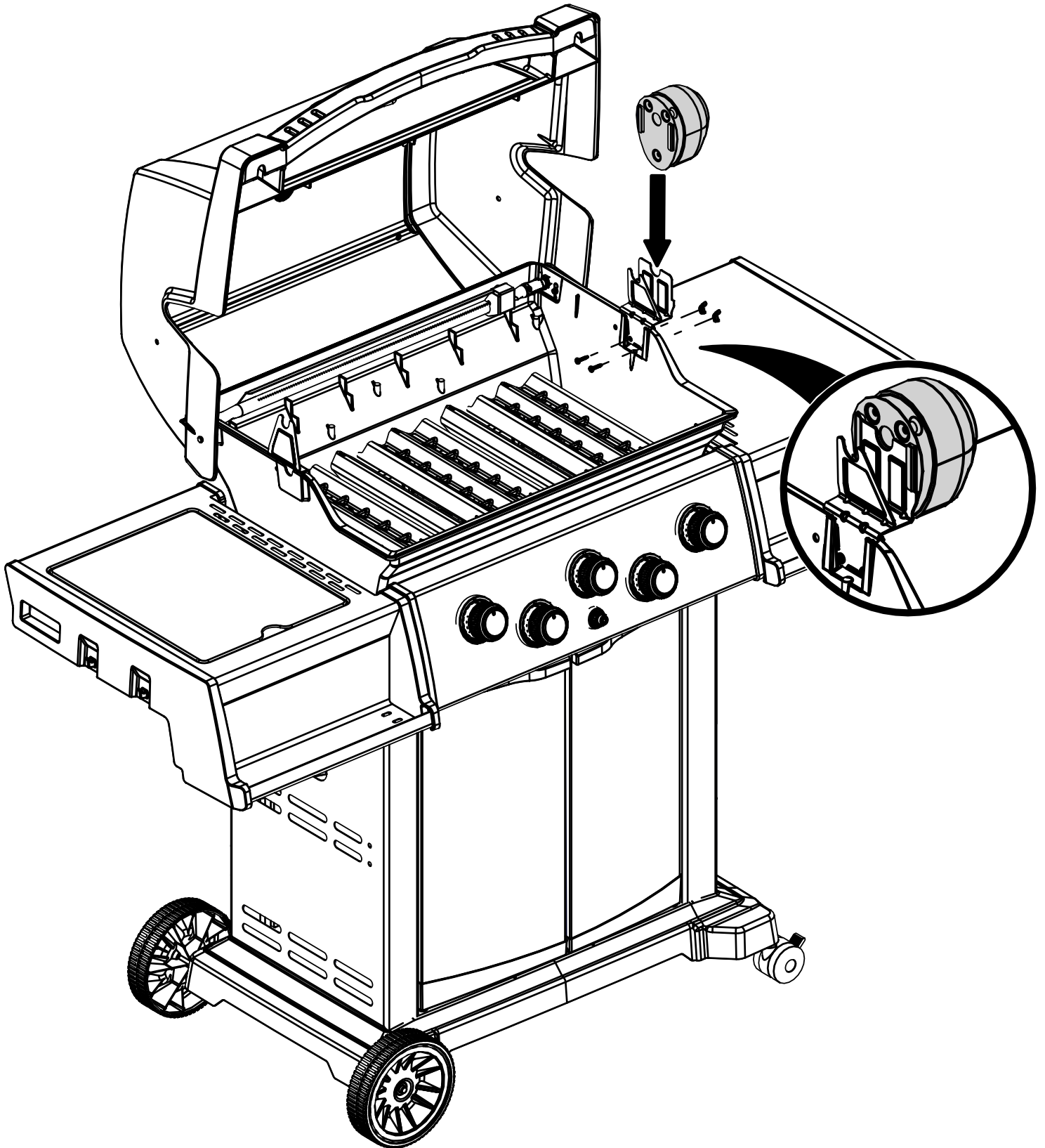
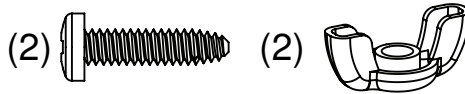
19





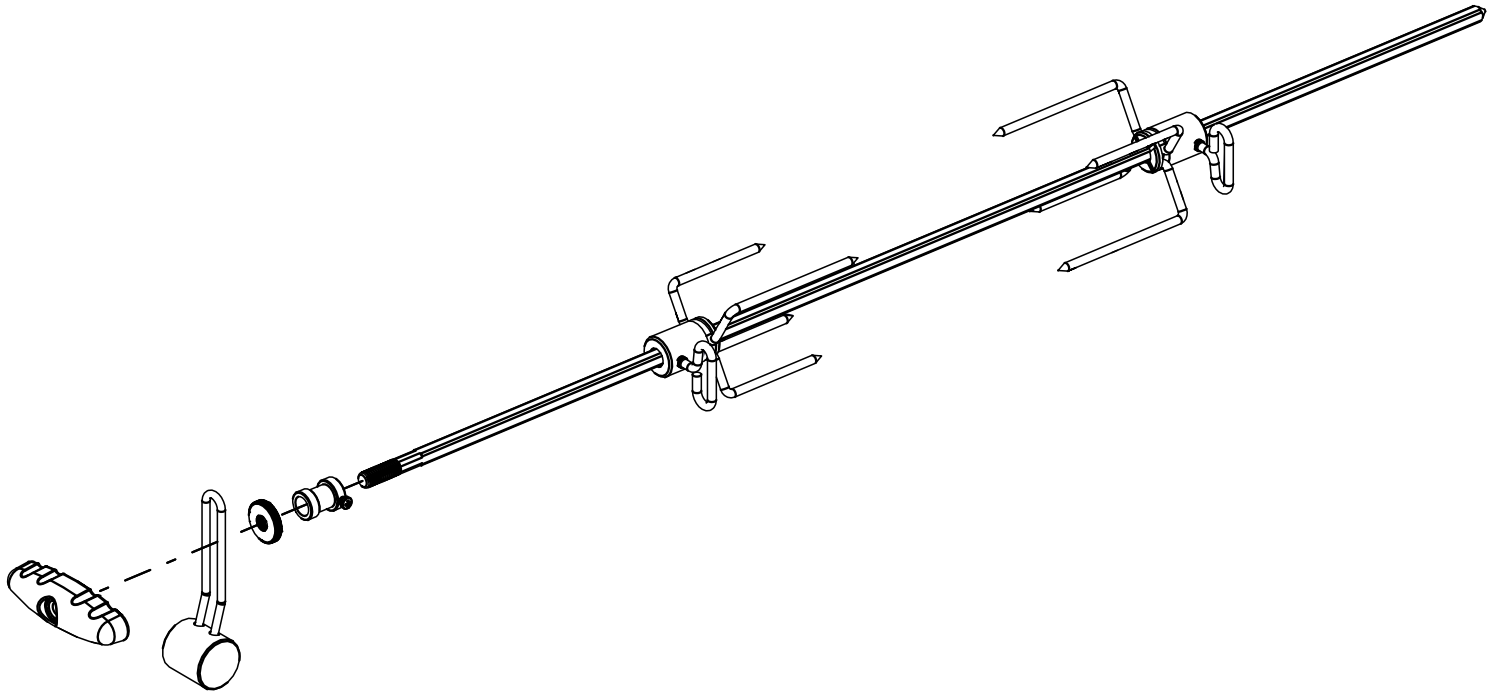


22

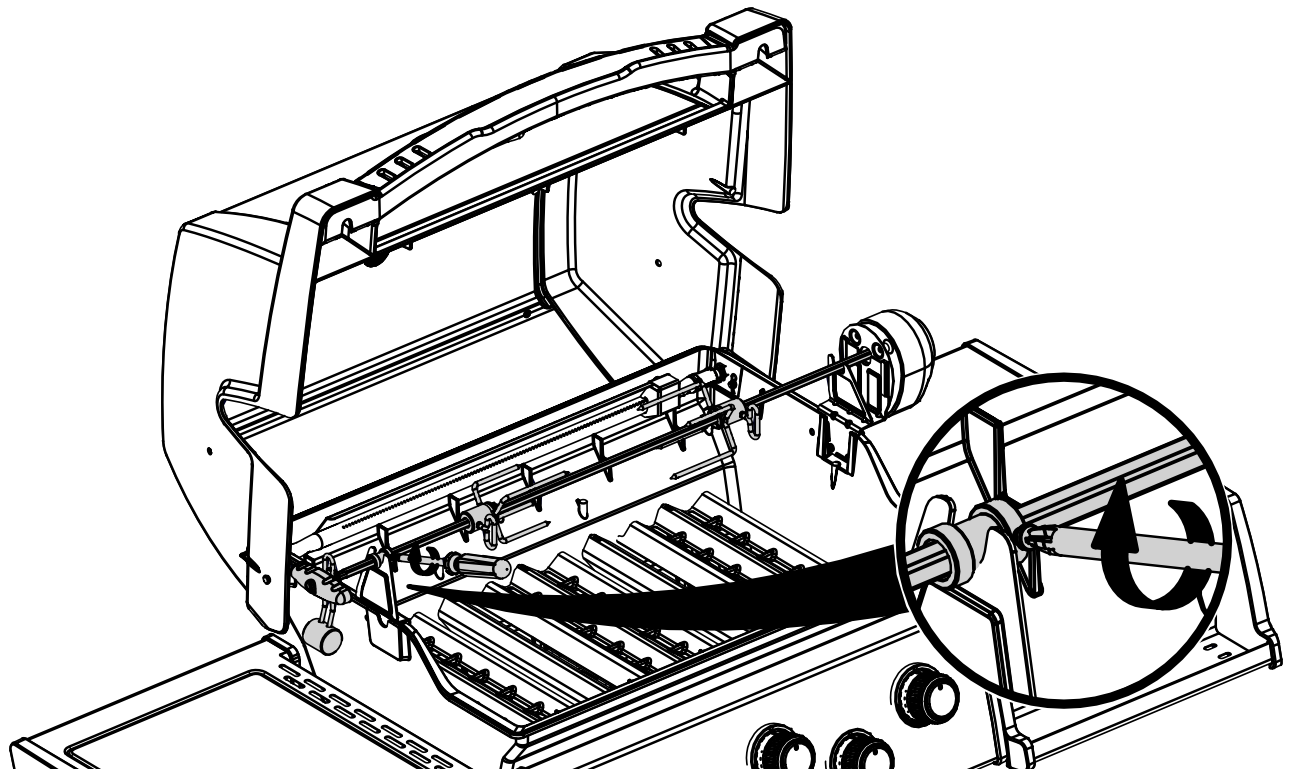




23



24



## PARTS LIST / LISTE DES PIECES

| <u>KEY #</u> | <u>ITEM #</u> | <u>DESCRIPTION</u>        | <u>9878-82</u> | <u>9878-83</u> | <u>9878-86</u> |
|--------------|---------------|---------------------------|----------------|----------------|----------------|
| 1            | 10909-E450    | CASTING BOTTOM            | 1              | 1              | 1              |
| 2            | 10473-E450    | CASTING TOP               | 1              | 1              | 1              |
| 3            | 10081-BK630   | NAMEPLATE                 | 1              | 1              | 1              |
| 4            | 10958-E450A   | TOP CASTING INSERT        | 1              | 1              | 1              |
| 5            | 10571-6       | HEAT INDICATOR            | 1              | 1              | 1              |
| 6            | 10240-15      | HINGE PIN                 | 2              | 2              | 2              |
| 6A           | S21237        | HINGE SPACER              | 2              | 2              | 2              |
| 7            | S21233        | HITCH PIN CLIP            | 2              | 2              | 2              |
| 9            | 10225-T536    | GRID                      | 3              | 3              | 3              |
| 10           | 10222-E400    | FLAV-R-WAVE               | 3              | 3              | 3              |
| 11           | 10225-E451    | GRID - WARMING RACK       | 1              | 1              | 1              |
| 12           | 10222-E401    | DIVIDER                   | 2              | 2              | 2              |
| 13           | 10184-R84     | BOSS EXTENSION            | 1              | 1              | 1              |
| 15           | 10390-E20D    | BURNER                    | 3              | •              | •              |
|              | 10390-E20E    | BURNER                    | •              | 3              | •              |
|              | 10390-E20NGE  | BURNER                    | •              | •              | 3              |
| 17           | 10342-247     | ELECTRONIC IGNITOR        | 1              | 1              | 1              |
| 18           | 10342-E12     | ELECTRODE                 | 2              | 2              | 2              |
| 19           | 10342-E400A   | COLLECTOR BOX             | 1              | 1              | 1              |
| 21           | 10445-E36D    | CONTROL ASSEMBLY          | 1              | •              | •              |
|              | 10445-E36E    | CONTROL ASSEMBLY          | •              | 1              | •              |
|              | 10445-E37E    | CONTROL ASSEMBLY          | •              | •              | 1              |
| 21A          | S13470-073    | HOSE-SIDE BURNER          | 1              | •              | •              |
|              | S13470-079    | HOSE-SIDE BURNER          | •              | 1              | •              |
|              | S13470-109    | HOSE-SIDE BURNER          | •              | •              | 1              |
| 21B          | Y-11230       | COTTER PIN                | 1              | 1              | 1              |
| 21C          | 10110-45      | TUBE-REAR BURNER ASSY     | 1              | 1              | 1              |
| 23           | 22001-768     | CONTROL KNOB              | 5              | 5              | 5              |
| 23A          | 10472-E38     | CONTROL BEZEL             | 5              | 5              | 5              |
| 23B          | Y-12674       | STOPPER                   | •              | •              | 5              |
| 24           | 10111-16A     | HOSE                      | 1              | 1              | 1              |
| 25           | 10222-E402    | BAFFLE                    | 1              | 1              | 1              |
| 30           | 10194-E499    | CONTROL COVER             | 1              | 1              | 1              |
| 31           | 10711-E42A    | EDGE CAP - CONTROL COVER  | 1              | 1              | 1              |
| 32           | 10711-E41A    | EDGE CAP - CONTROL COVER  | 1              | 1              | 1              |
| 33           | 10184-E92     | RADIATION SHIELD          | 1              | 1              | 1              |
| 35           | 10184-E501    | SUPPORT-CASTING-LEFT      | 1              | 1              | 1              |
| 36           | 10184-E511    | SUPPORT-CASTING-RIGHT     | 1              | 1              | 1              |
| 37           | 10184-E651    | SUPPORT-SIDE SHELF        | 2              | 2              | 2              |
| 37A          | 10184-E63     | SUPPORT-SIDE SHELF        | 2              | 2              | 2              |
| 38           | 10184-E641    | SUPPORT-SIDE SHELF        | 2              | 2              | 2              |
| 38A          | 10184-E62     | SUPPORT-SIDE SHELF        | 2              | 2              | 2              |
| 39           | 10956-E881    | BRACE-REAR                | 1              | 1              | 1              |
| 40           | 10958-E81     | BASE                      | 1              | 1              | 1              |
| 41           | 10956-E591    | BRACE-FRONT               | 1              | 1              | 1              |
| 42           | 10958-E79     | DOOR                      | 2              | 2              | 2              |
| 42A          | 10958-E851    | DOOR - INNER              | 2              | 2              | 2              |
| 43           | 10958-E761    | SIDE PANEL                | 2              | 2              | 2              |
| 44           | 10958-E901    | PANEL - REAR              | 1              | 1              | 1              |
| 45           | 10184-E931    | BRACKET - DOOR CATCH      | 1              | 1              | 1              |
| 48           | 10184-E681    | BRACKET - SHELF           | 2              | 2              | 2              |
| 49           | 10711-E84     | CONDIMENT BIN             | 2              | 2              | 2              |
| 50           | 10711-E92     | SHELF                     | 1              | 1              | 1              |
| 51           | 10711-E93     | SHELF                     | 1              | 1              | 1              |
| 52           | 10184-E78A    | DOOR - TOP CAP - LEFT     | 1              | 1              | 1              |
| 53           | 10184-E76     | DOOR - BOTTOM CAP - LEFT  | 1              | 1              | 1              |
| 54           | 10184-E79A    | DOOR - TOP CAP - RIGHT    | 1              | 1              | 1              |
| 55           | 10184-E77     | DOOR - BOTTOM CAP - RIGHT | 1              | 1              | 1              |
| 56           | 10892-7G      | WHEEL                     | 2              | 2              | 2              |
| 60           | 10711-E47     | END CAP - SHELF           | 1              | 1              | 1              |
| 61           | 10711-E44     | EDGE CAP - SHELF          | 1              | 1              | 1              |

## PARTS LIST / LISTE DES PIECES

| <u>KEY #</u> | <u>ITEM #</u> | <u>DESCRIPTION</u>      | <u>9878-82</u> | <u>9878-83</u> | <u>9878-86</u> |
|--------------|---------------|-------------------------|----------------|----------------|----------------|
| 62           | 10711-E45     | EDGE CAP - SHELF        | 1              | 1              | 1              |
| 63           | 10711-E48     | END CAP - SHELF         | 1              | 1              | 1              |
| 64           | 10711-E43     | EDGE CAP - SHELF        | 1              | 1              | 1              |
| 65           | 10711-E46     | EDGE CAP - SHELF        | 1              | 1              | 1              |
| 66           | S13015A       | BURNER ROTISSERIE       | 1              | 1              | 1              |
| 67           | S15508        | ELECTRODE               | 1              | 1              | 1              |
| 68           | S21362        | SPRING                  | 1              | 1              | 1              |
| 70           | Y-11990       | HEX NUT                 | 1              | 1              | 1              |
| 71           | 10696-105     | REAR BURNER-ORIFICE     | 1              | •              | •              |
|              | 10696-115     | REAR BURNER-ORIFICE     | •              | 1              | •              |
|              | 10696-170     | REAR BURNER-ORIFICE     | •              | •              | 1              |
| 72           | S21420        | PUSH NUT                | 2              | 2              | 2              |
| 74           | S21084        | SCREW #14 x 3/4         | 9              | 9              | 9              |
| 75           | 10184-E703A   | HANDLE                  | 1              | 1              | 1              |
| 76           | S21255        | WASHER                  | 2              | 2              | 2              |
| 78           | 10892-15      | CASTOR                  | 2              | 2              | 2              |
| 79           | Y-11561       | SCREW 1/4:20 x 1 3/4    | 8              | 8              | 8              |
| 80           | Y-11546       | SCREW 1/4-20 X 5/8      | 8              | 8              | 8              |
| 81           | Y-12860       | SCREW 1/4-20 X 1 3/8    | 8              | 8              | 8              |
| 82           | Y-12673       | SHELF - LOCK PIN        | 2              | 2              | 2              |
| 83           | Y-12855       | SCREW 1/4-20 X 3/8      | 4              | 4              | 4              |
| 84           | S15170        | AXLE                    | 1              | 1              | 1              |
| 85           | Y-12865       | SCREW 1/4-20 X 1/2      | 12             | 12             | 8              |
| 87           | Y-11793       | NUT 1/4-20              | 10             | 10             | 10             |
| 96           | S21125        | SCREW 8 X 3/8           | 16             | 16             | 16             |
| 98           | S21124        | SCREW 8 X 1/2           | 27             | 27             | 27             |
| 98A          | Y-12643       | SCREW 8 X 1/2           | 12             | 12             | 12             |
| 99           | Y-12646       | SCREW SHOULDER 8 X 1/2  | 2              | 2              | 2              |
| 104          | Y-12835       | SCREW 6-32 X 1/4        | 2              | 2              | 2              |
| 106          | Y-12861       | SCREW 1/4-20 X 3/8      | 2              | 2              | 2              |
| 107          | Y-12863       | WASHER                  | 4              | 4              | 4              |
| 110          | 23009-99      | GRID                    | 1              | 1              | 1              |
| 111          | 10390-R81A    | SIDE BURNER             | 1              | 1              | 1              |
| 113          | 10342-T16     | ELECTRODE – SIDE BURNER | 1              | 1              | 1              |
| 114          | 23000-254     | COVER-SIDE BURNER       | 1              | 1              | 1              |
| 117          | 23000-271     | SHELF-SIDE BURNER       | 1              | 1              | 1              |
| 123          | S15115        | GREASE PAN - DISPOSABLE | 1              | 1              | 1              |
| 124          | Y-12117       | BUSHING                 | 2              | 2              | 2              |
| 125          | Y-12220       | BUSHING                 | 1              | 1              | 1              |
| 135          | Y-12119       | BUSHING                 | 3              | 3              | 3              |
| 136          | 10184-E43     | ROTISSERIE SHIELD       | 1              | 1              | 1              |
| 137          | 10184-E42     | ROTISSERIE BRACKET      | 1              | 1              | 1              |
| 138          | 10184-E44     | ROTISSERIE SHIELD       | 1              | 1              | 1              |
| 139          | S21061        | WING NUT                | 2              | 2              | 2              |
| 140          | Y-29306       | SCREW 10-24 x 3/4       | 2              | 2              | 2              |
| 141          | S15271        | HANDLE                  | 1              | 1              | 1              |
| 142          | S15270        | BALANCER                | 1              | 1              | 1              |
| 143          | S15263        | BUSHING                 | 1              | 1              | 1              |
| 144          | S15287        | 4 PRONG FORKS           | 2              | 2              | 2              |
| 145          | S15257        | SPIT ROD                | 1              | 1              | 1              |
| 146          | S15236        | ROTISSERIE MOTOR        | 1              | 1              | 1              |
| 147          | S15299        | WASHER                  | 1              | 1              | 1              |
| 156          | Y-12124       | DOOR PIN CAP            | 2              | 2              | 2              |
| 157          | Y-12871       | SCREW M4 X 0.7          | 2              | 2              | 2              |
| 160          | Y-29304       | SCREW #10-24            | 2              | 2              | 2              |



