

Broil King®



Broil King.
SIGNET 320
9864-52
9864-53



Broil King.
SIGNET 320
9868-53
9869-52



Broil King.
SIGNET 340
9868-63
9869-62

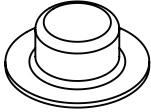
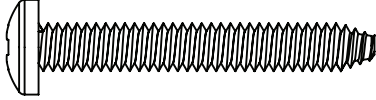
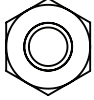
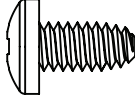

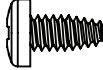

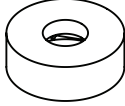
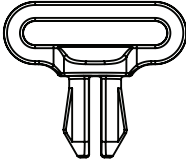
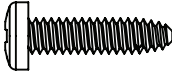

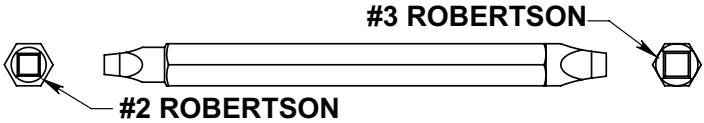


Broil King.
SIGNET 390
9864-82
9864-83

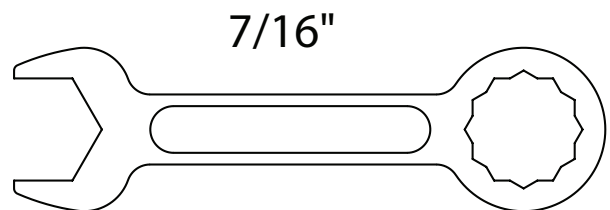
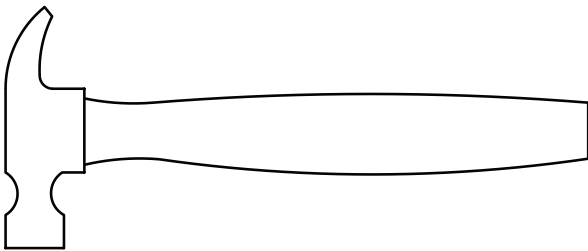


Broil King.
SIGNET 390
9869-42
9869-82
9869-83

HARDWARE INCLUDED

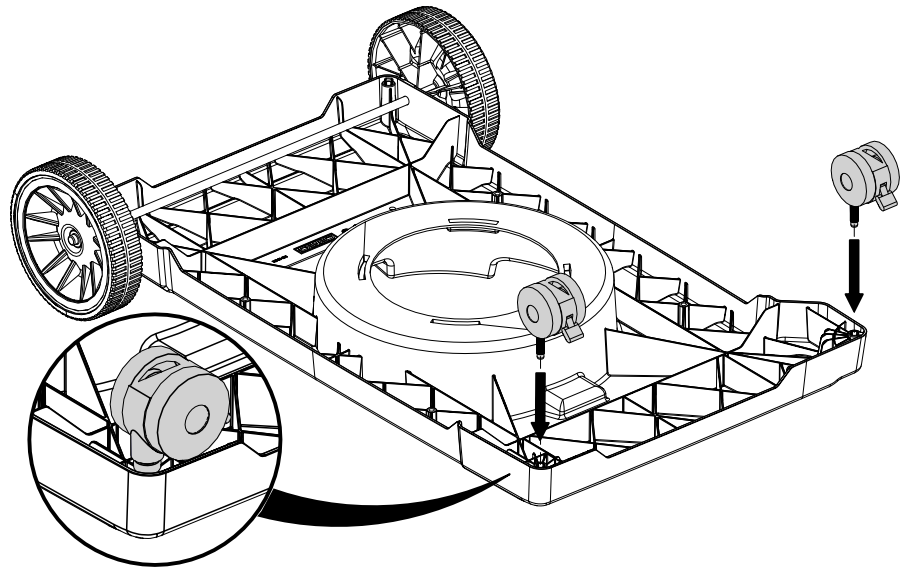
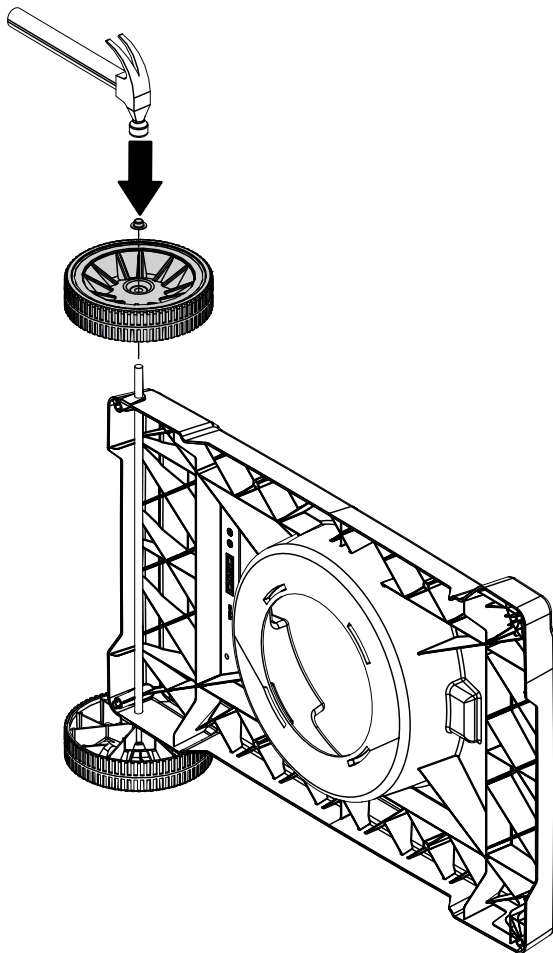
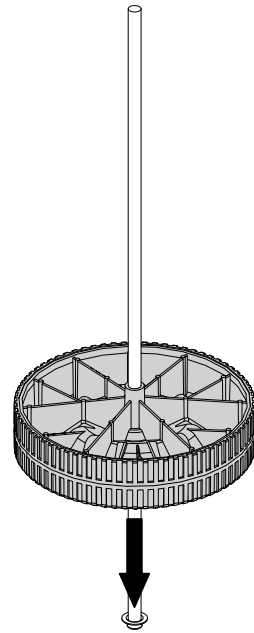
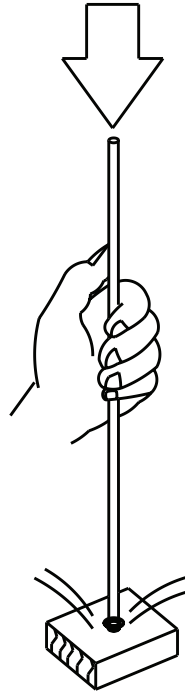
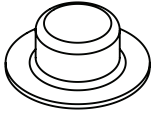
S21420		X2	Y-11561		X 4
Y-11793		X2	Y-12865		X8
AAA		X1	Y-29340		X2
S21124		X2	Y-12124		X2
Y-12673		X2	Y-29306		X2
S21061		X2	 <p style="text-align: center;">#3 ROBERTSON</p> <p style="text-align: center;">#2 ROBERTSON</p>		

TOOLS REQUIRED

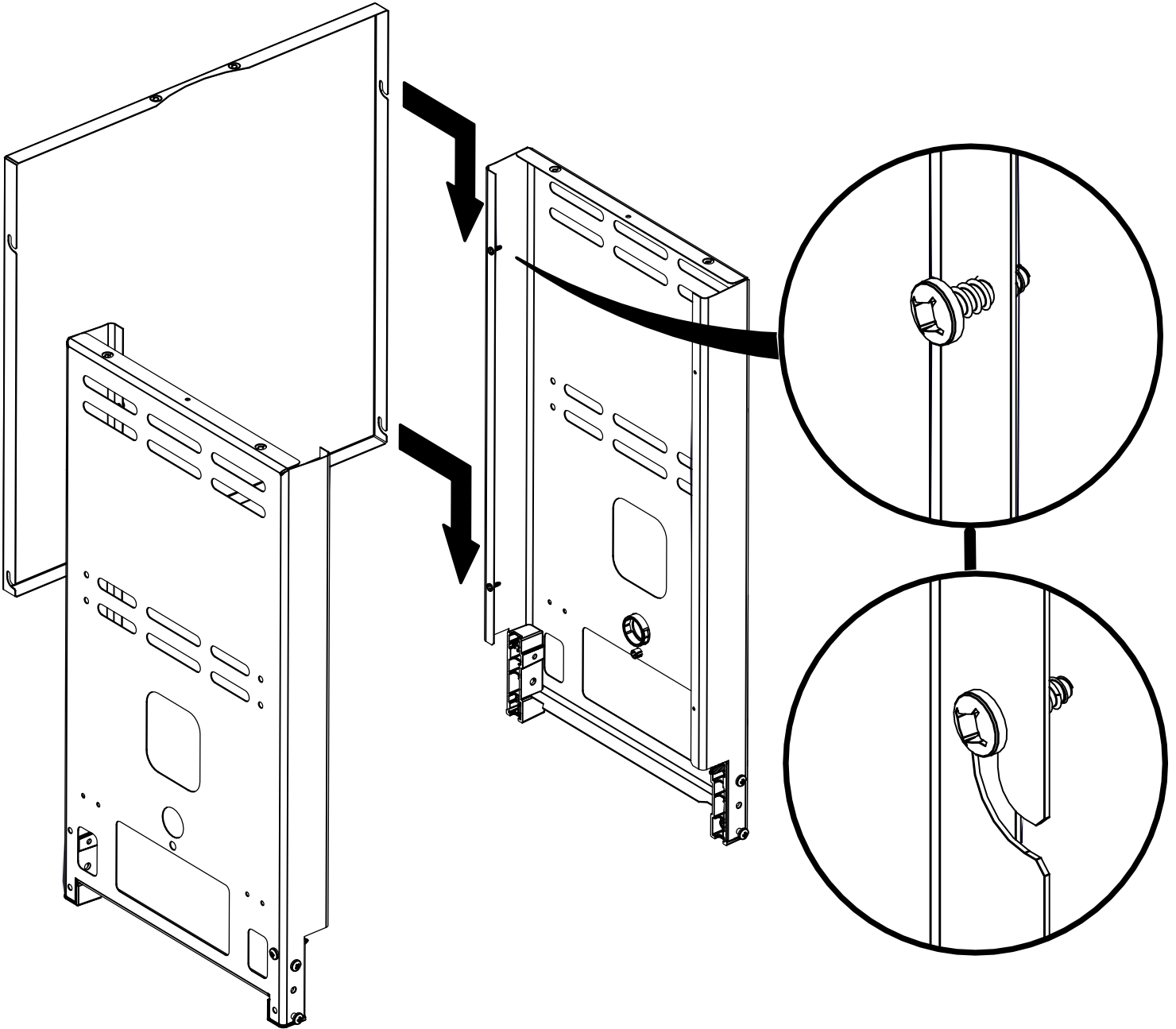


1

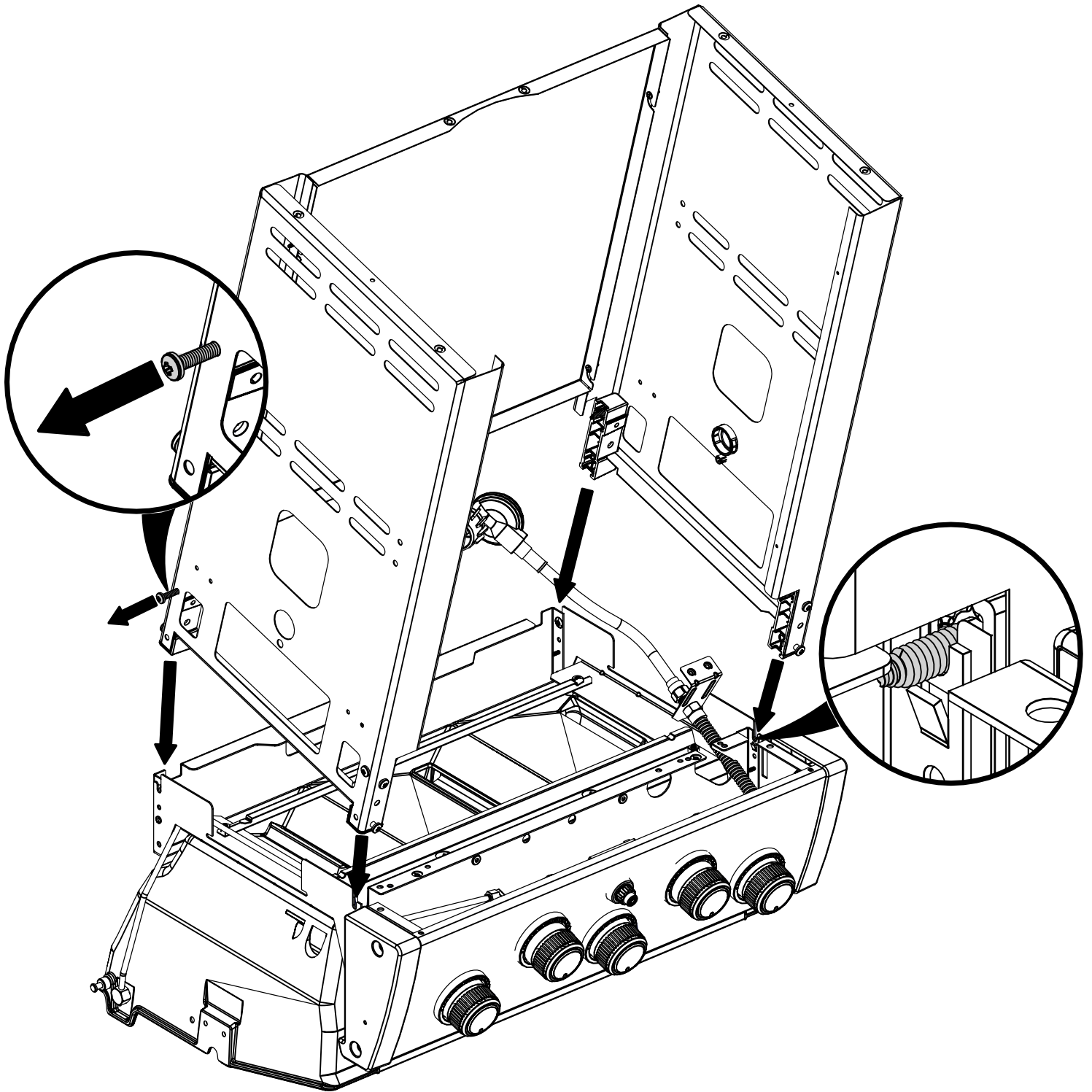
(2)



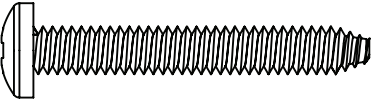
2

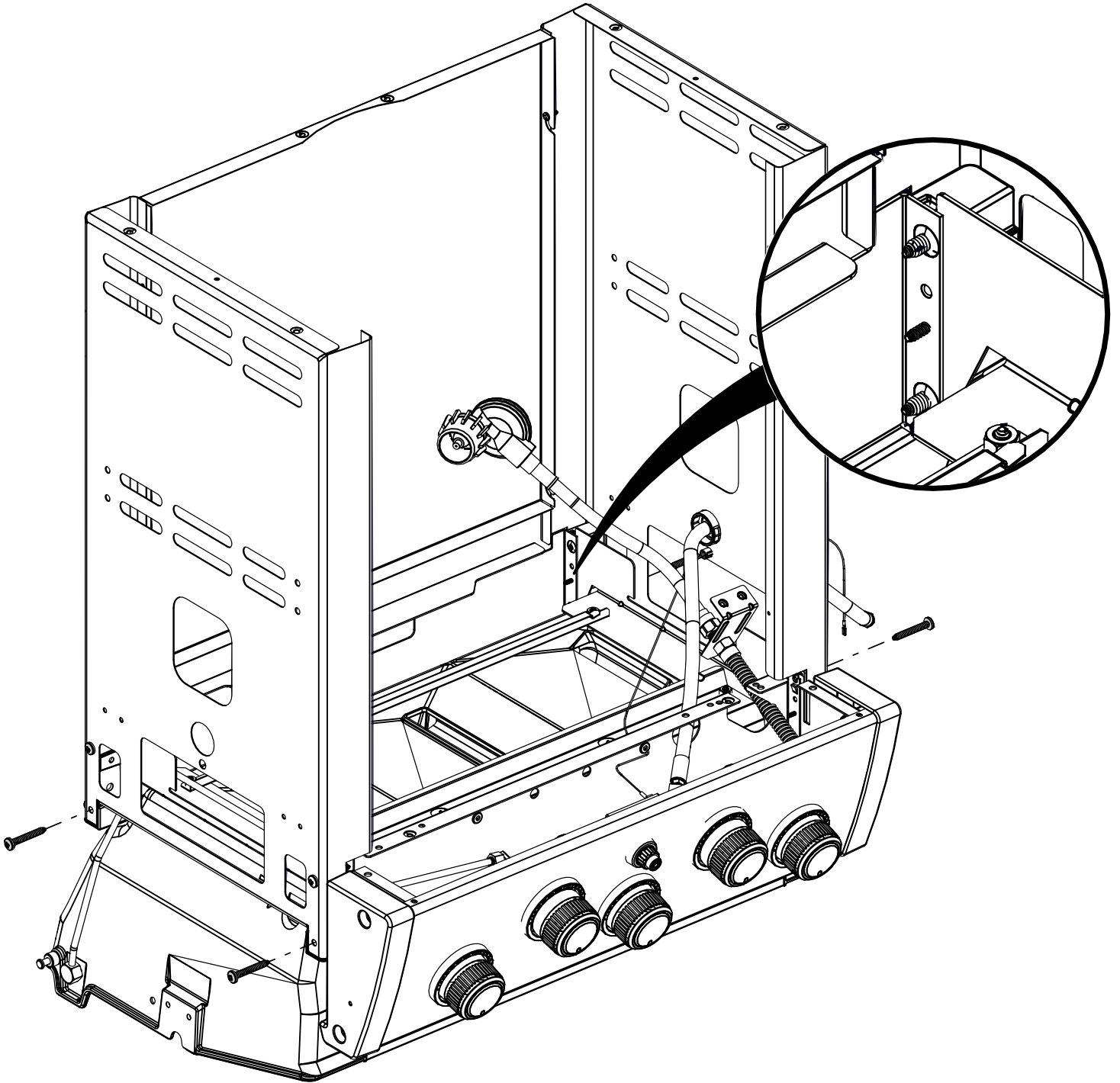


3



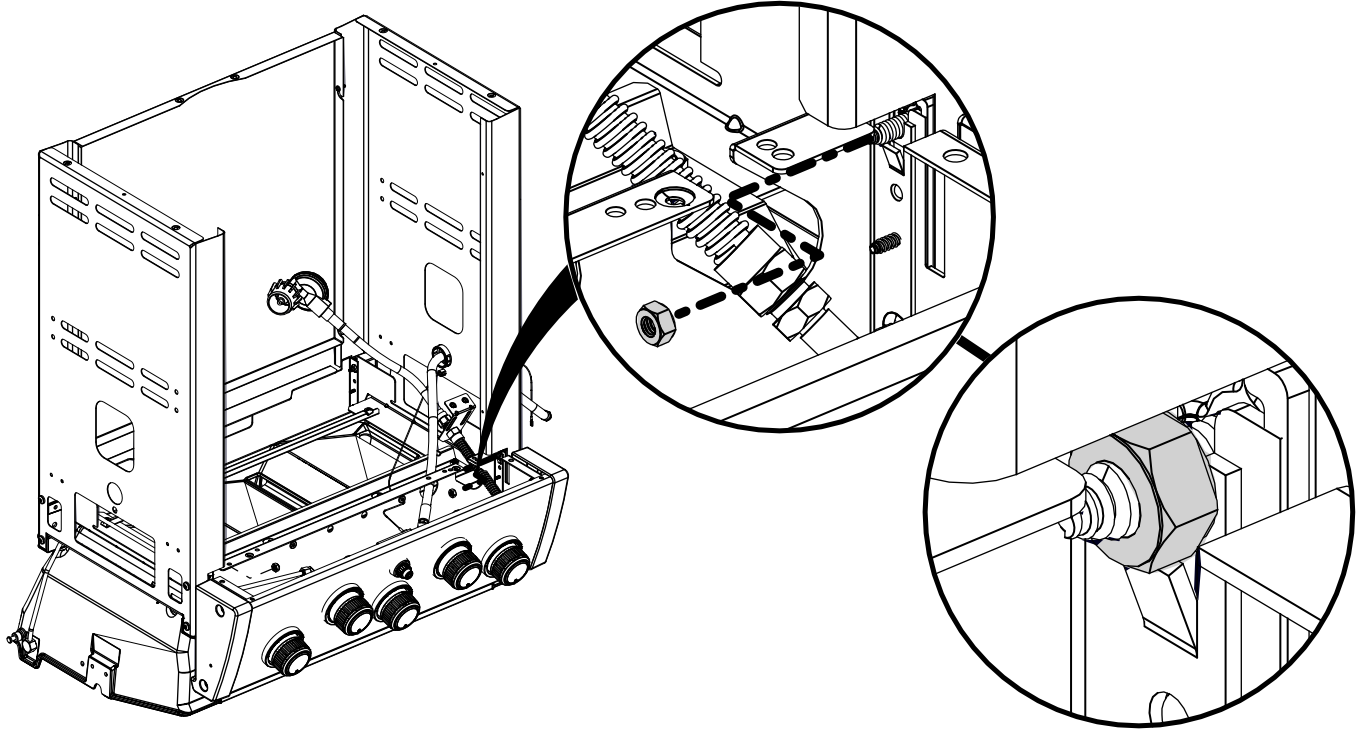
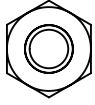
4

(4) 



5

(2)

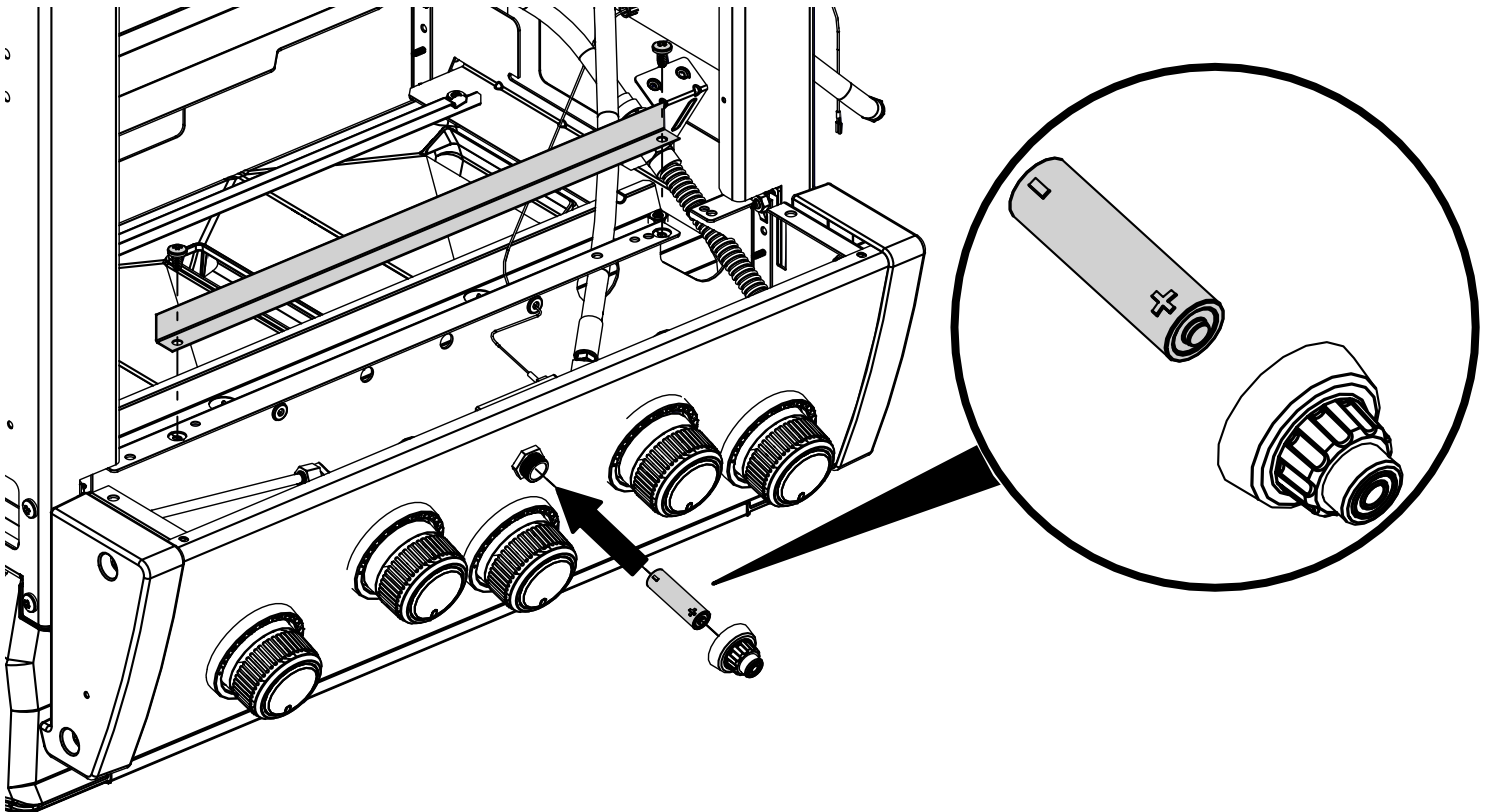
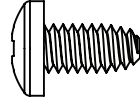


6

(1)

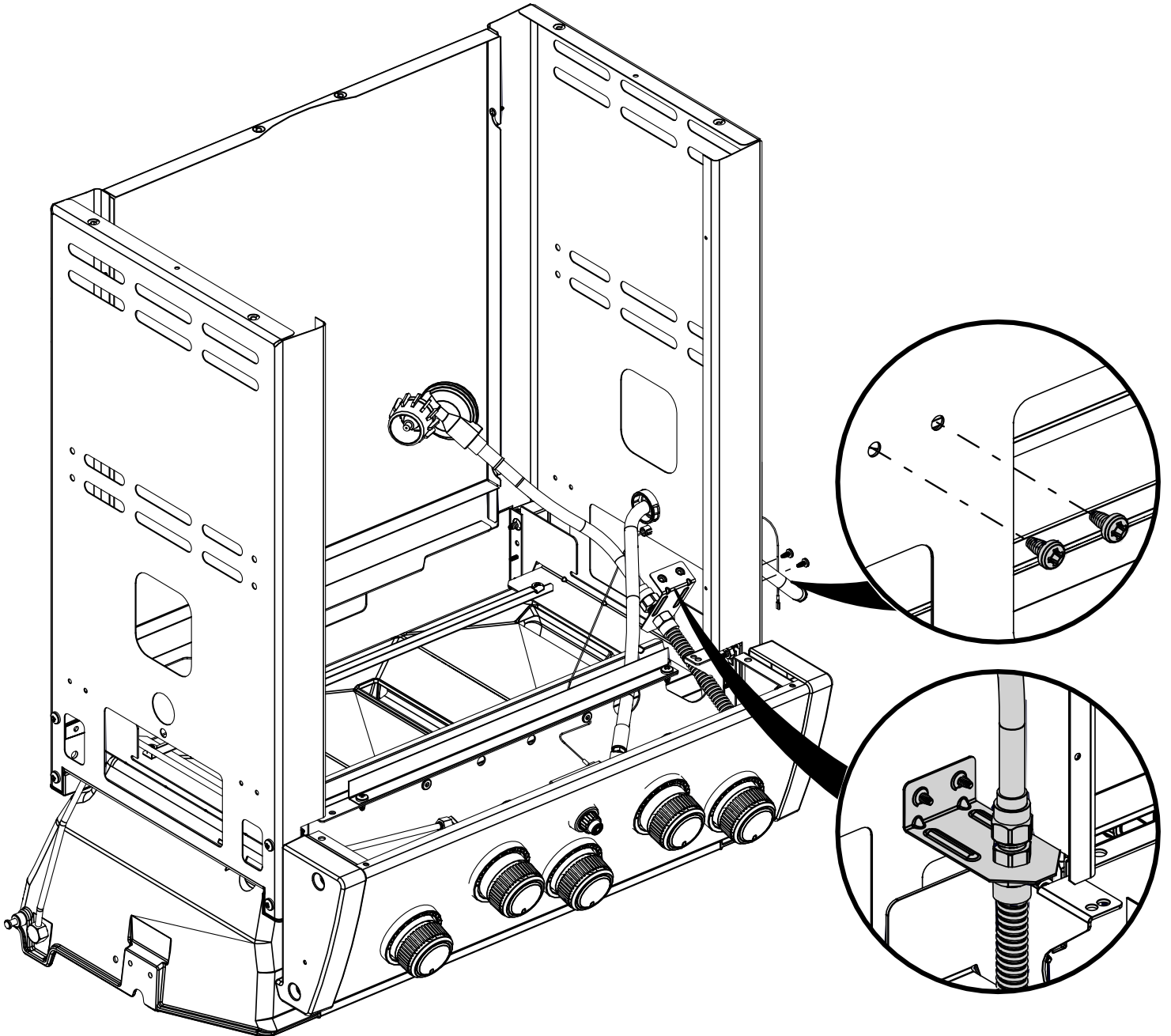


(2)

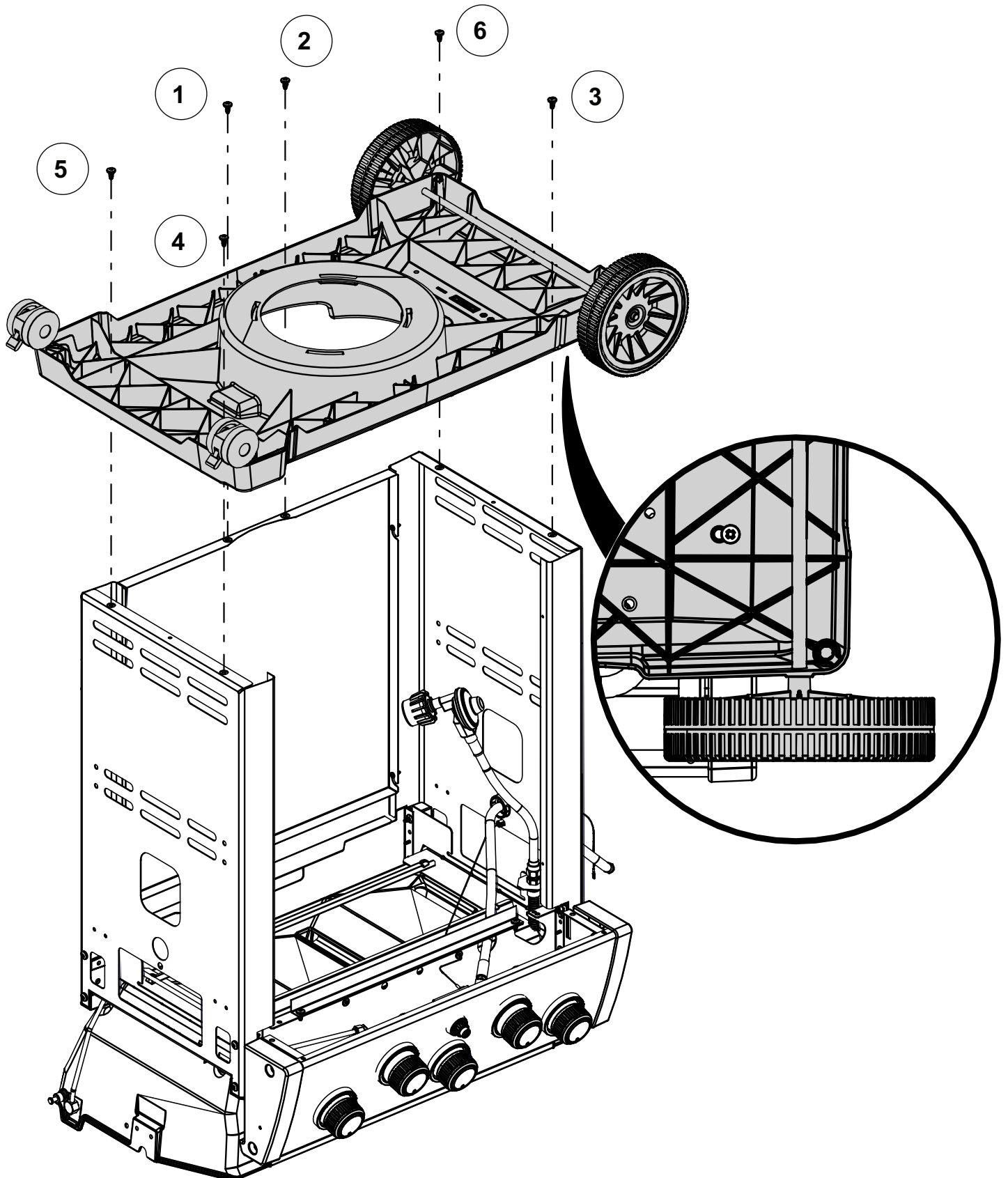
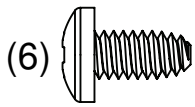


7


(2) 



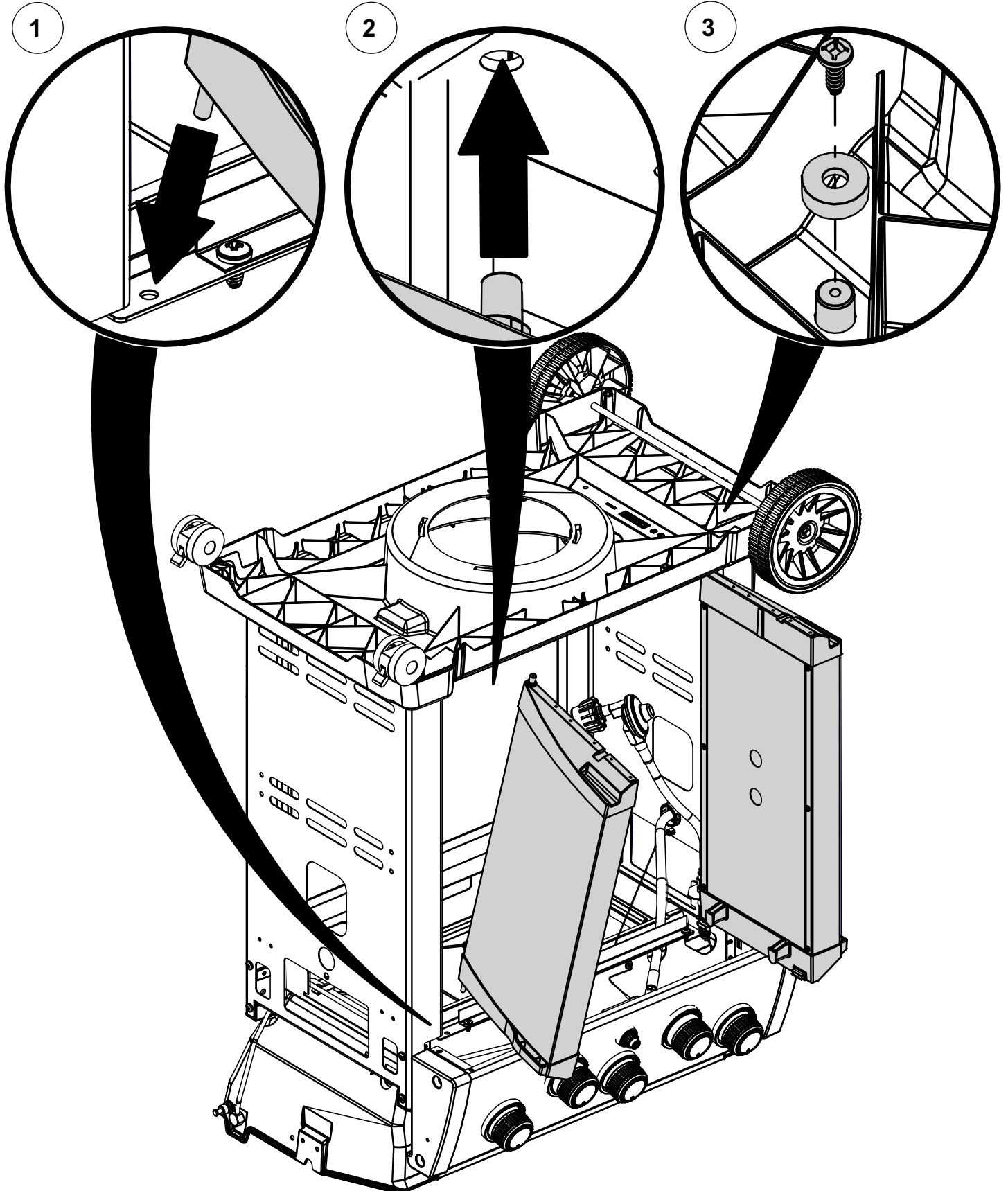
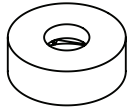
8

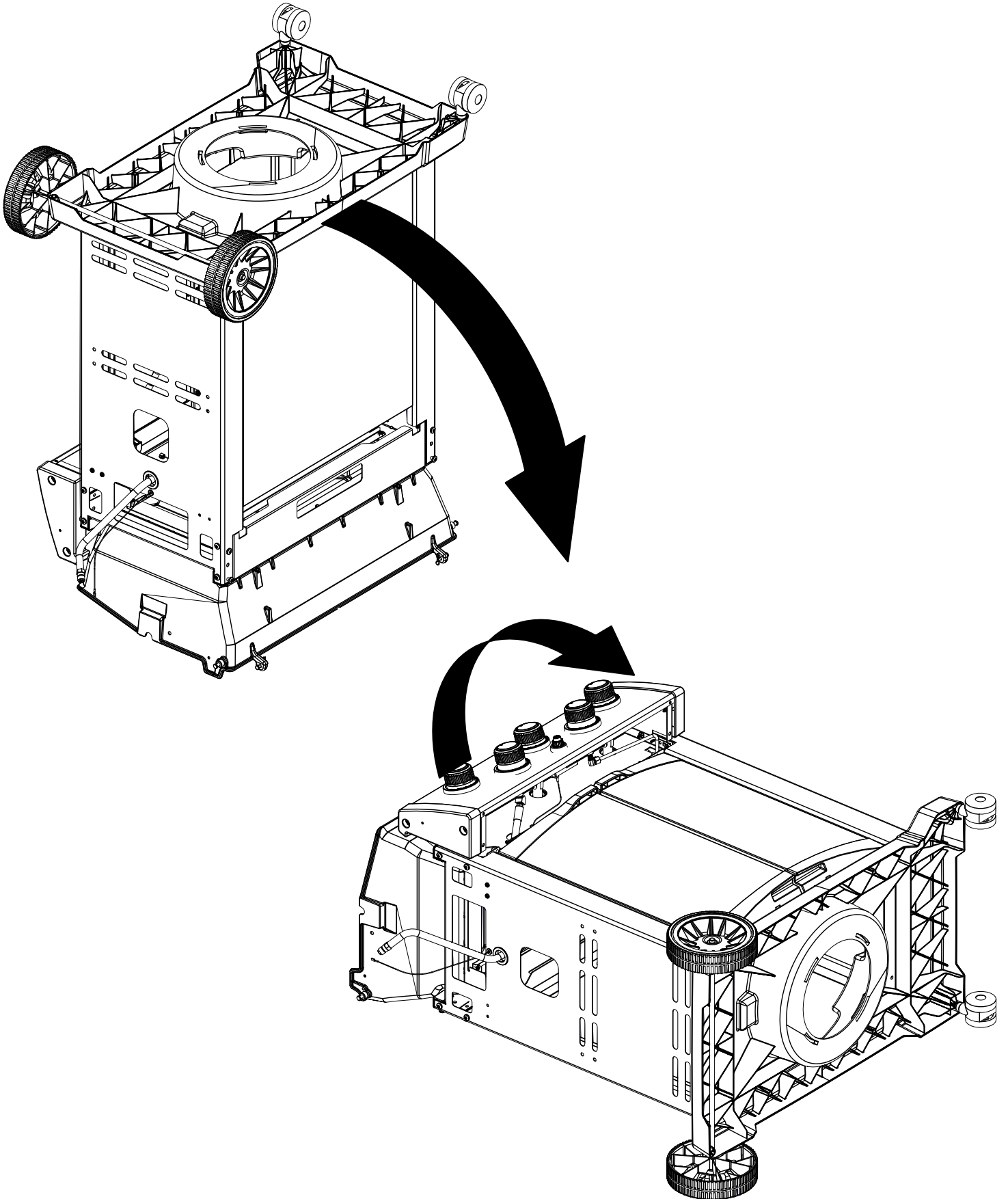


9

(2) 

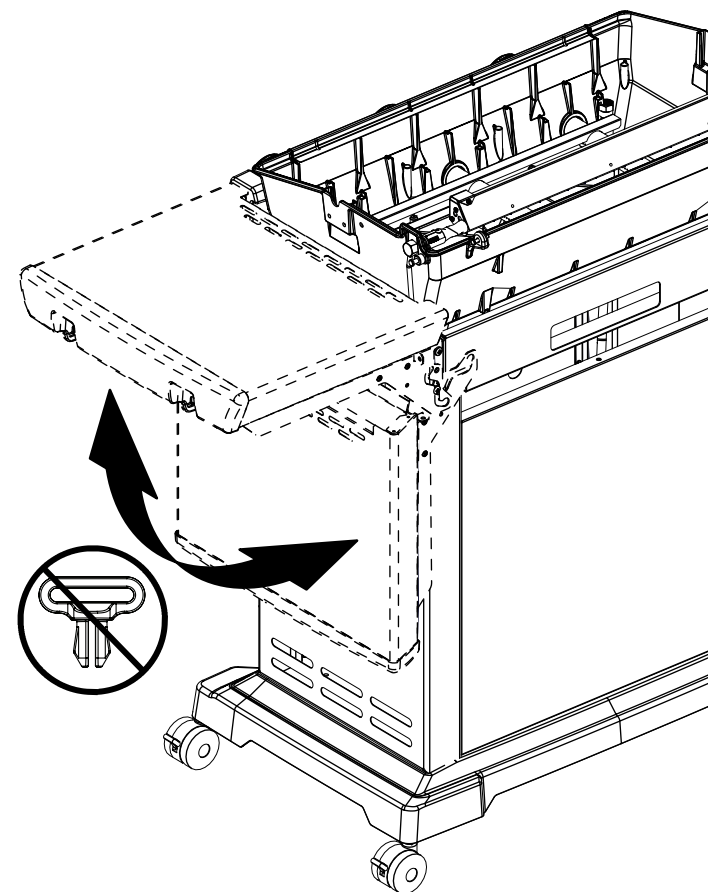
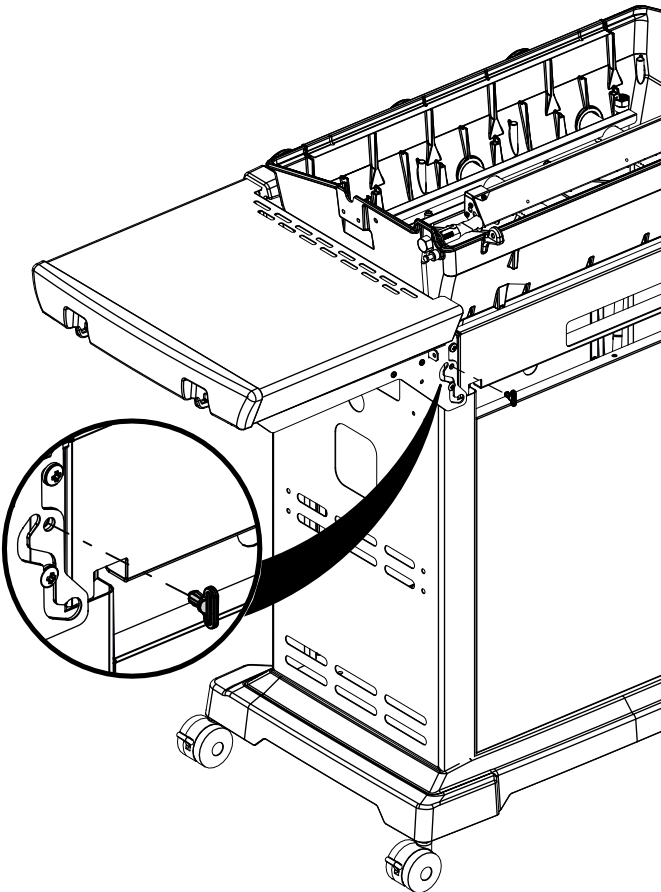
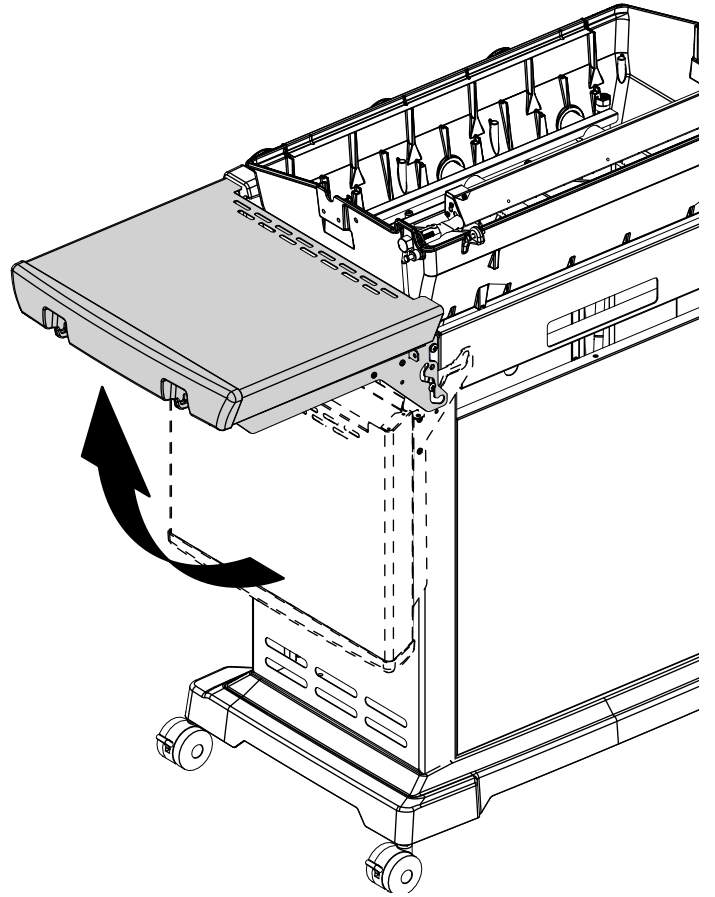
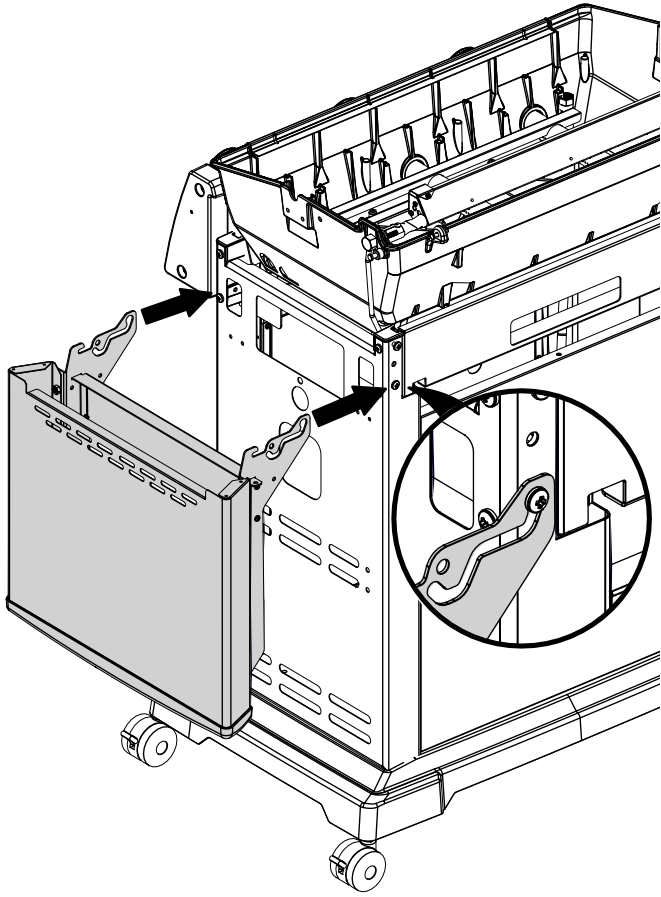
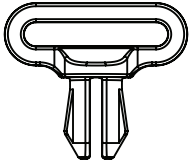
(2)





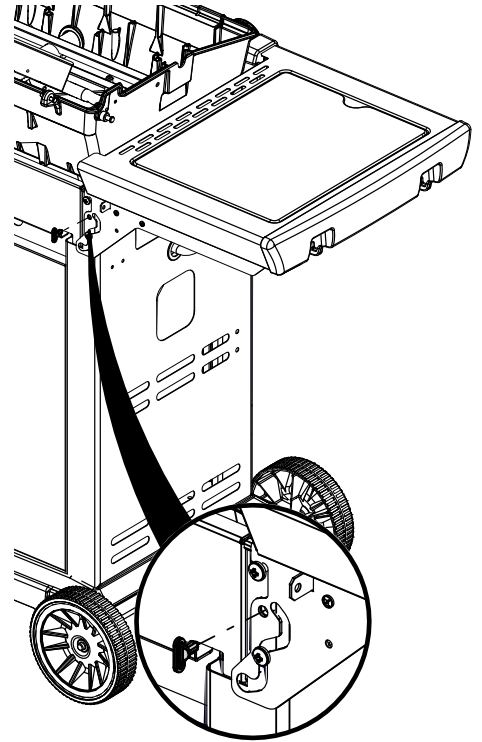
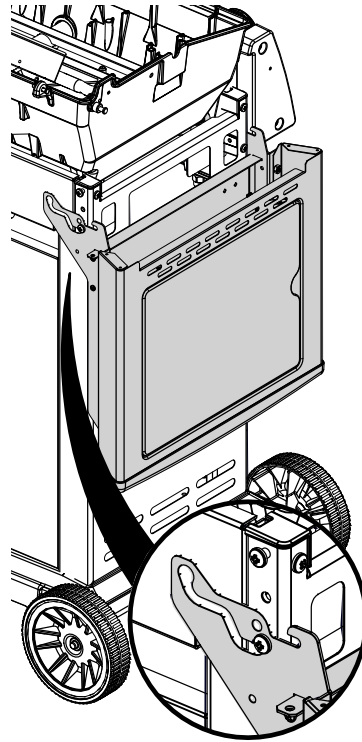
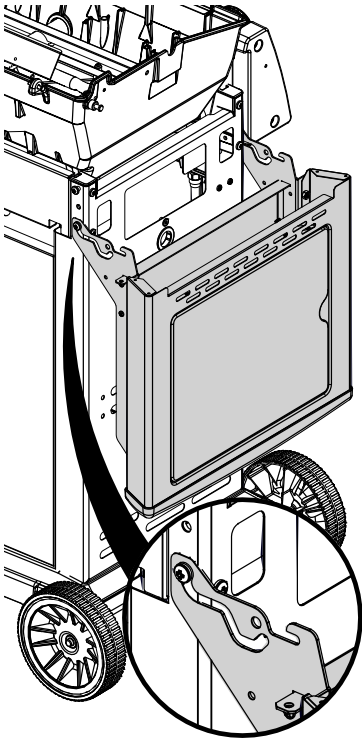
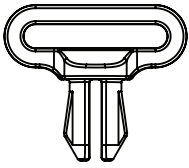
11

(1)



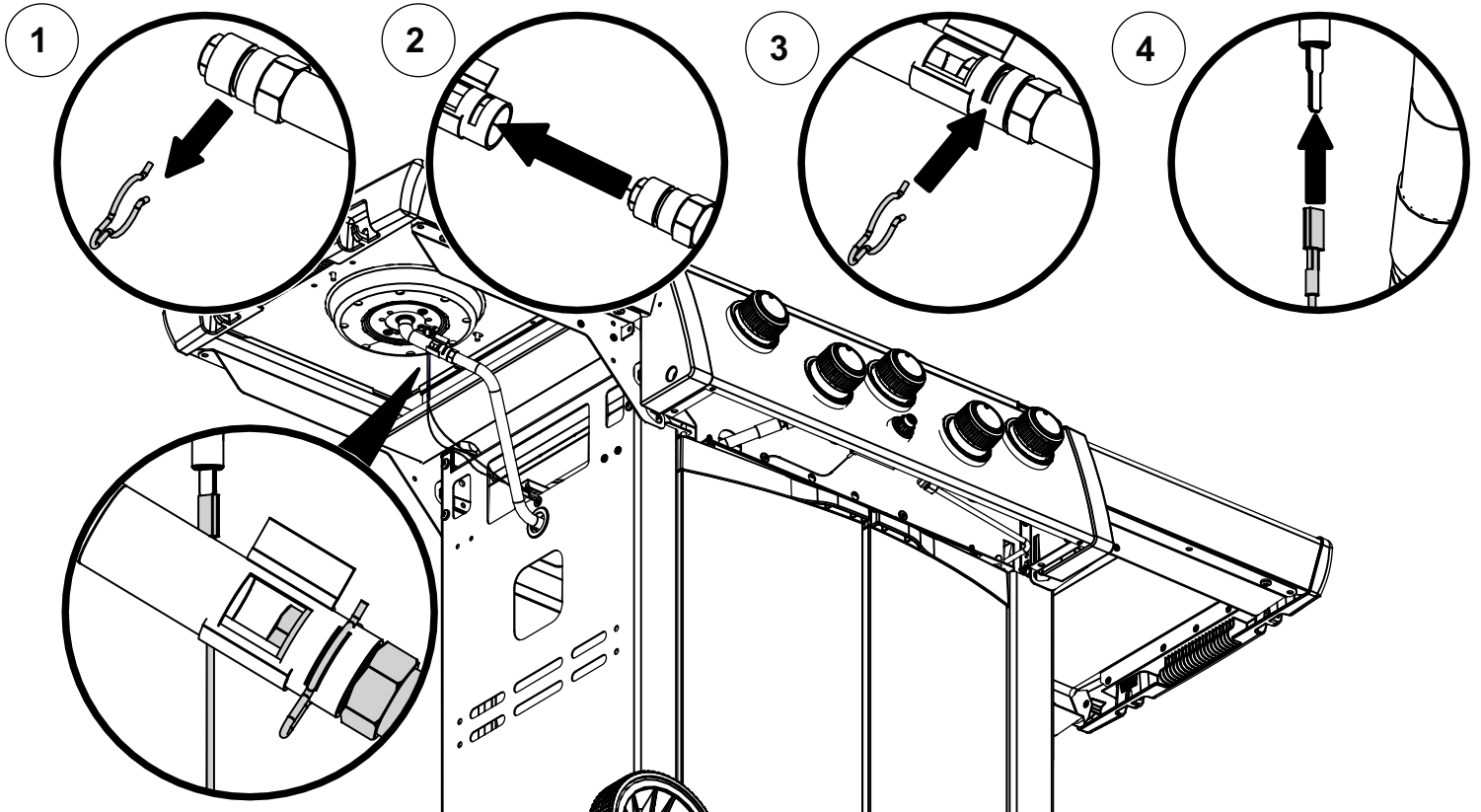
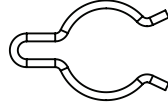
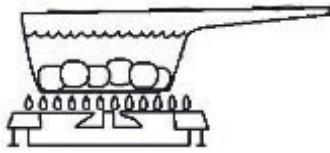
12

(1)

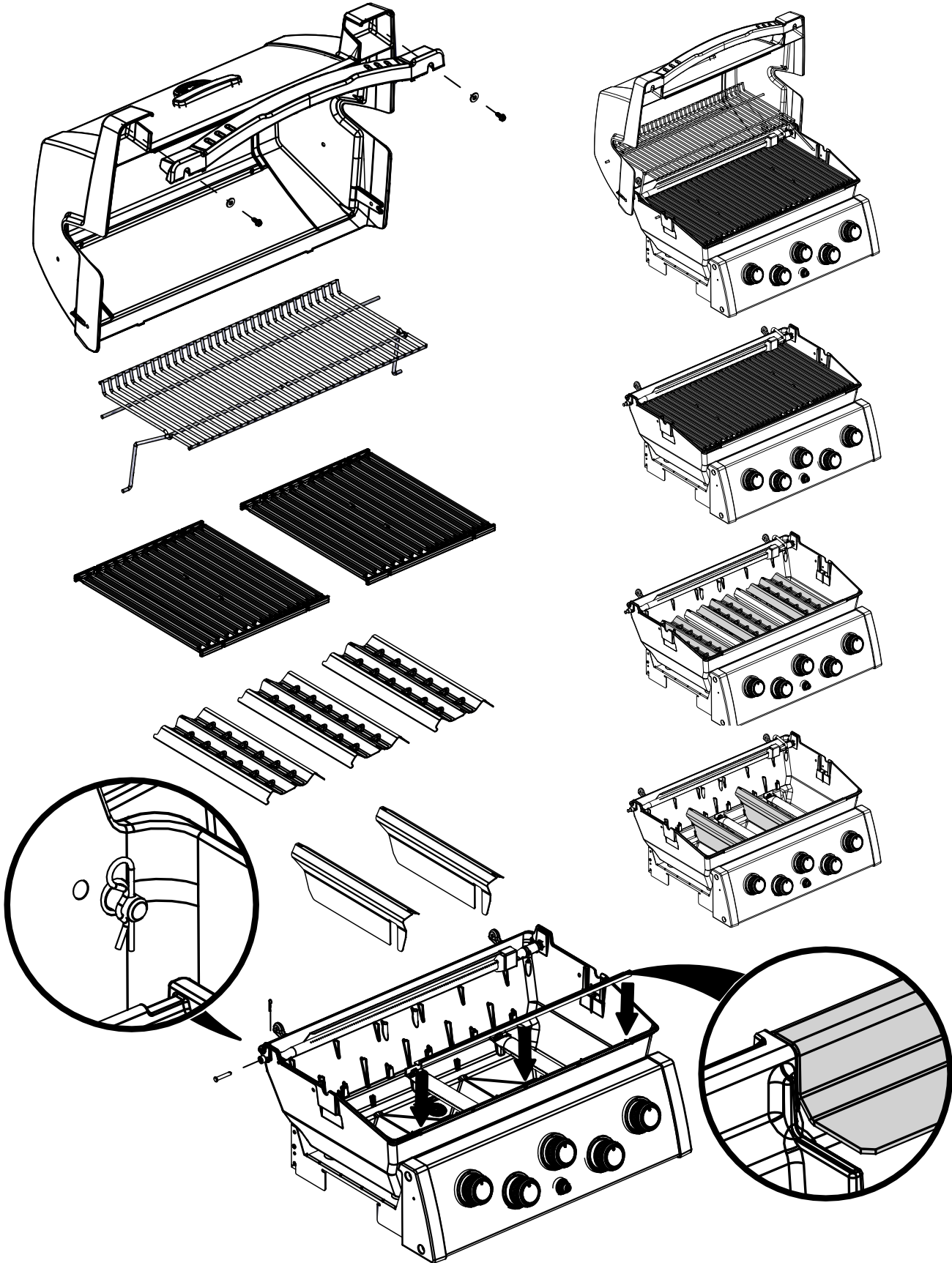
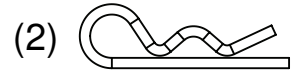
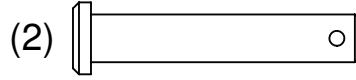
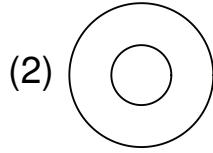
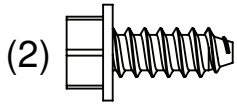


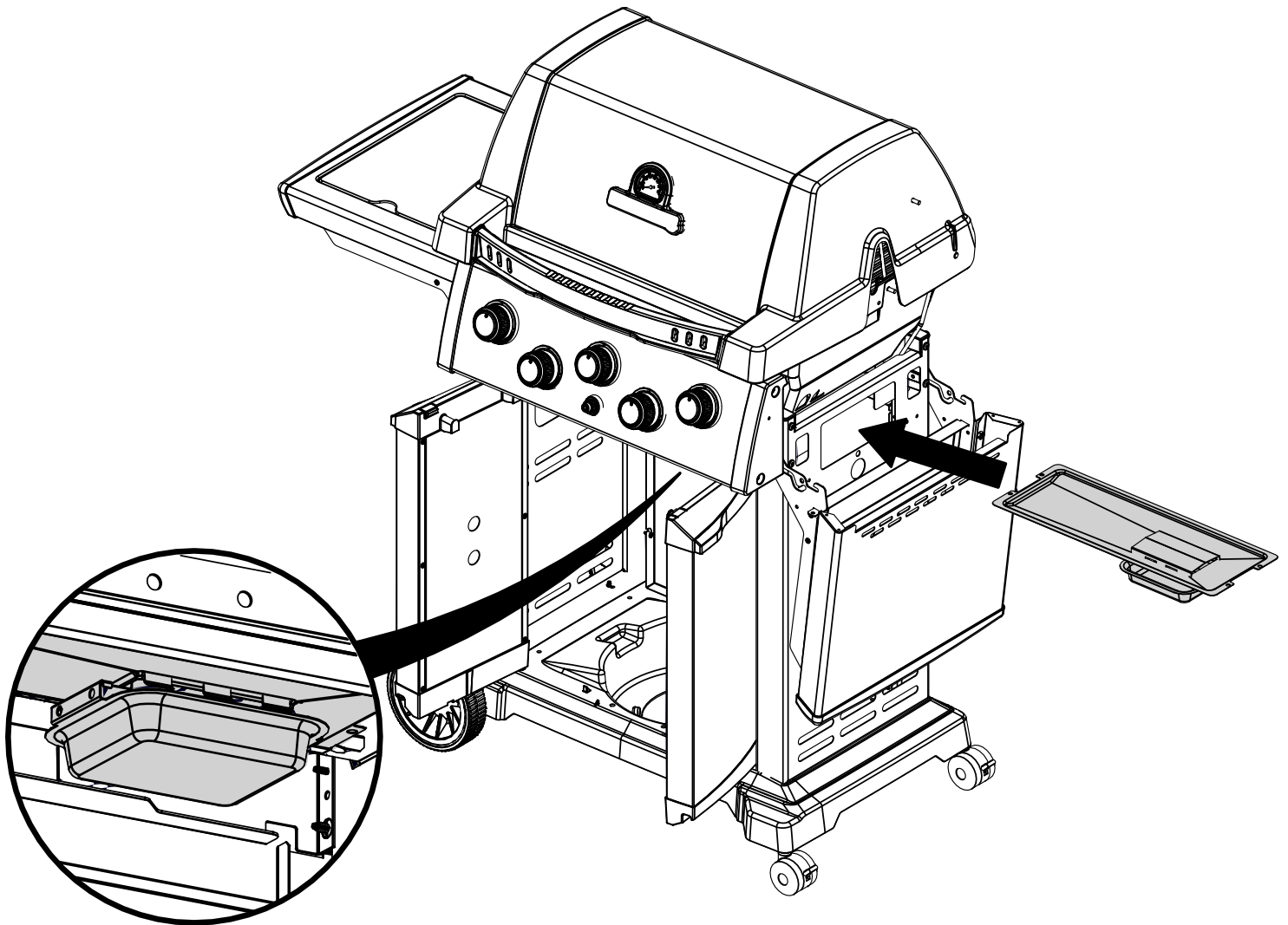
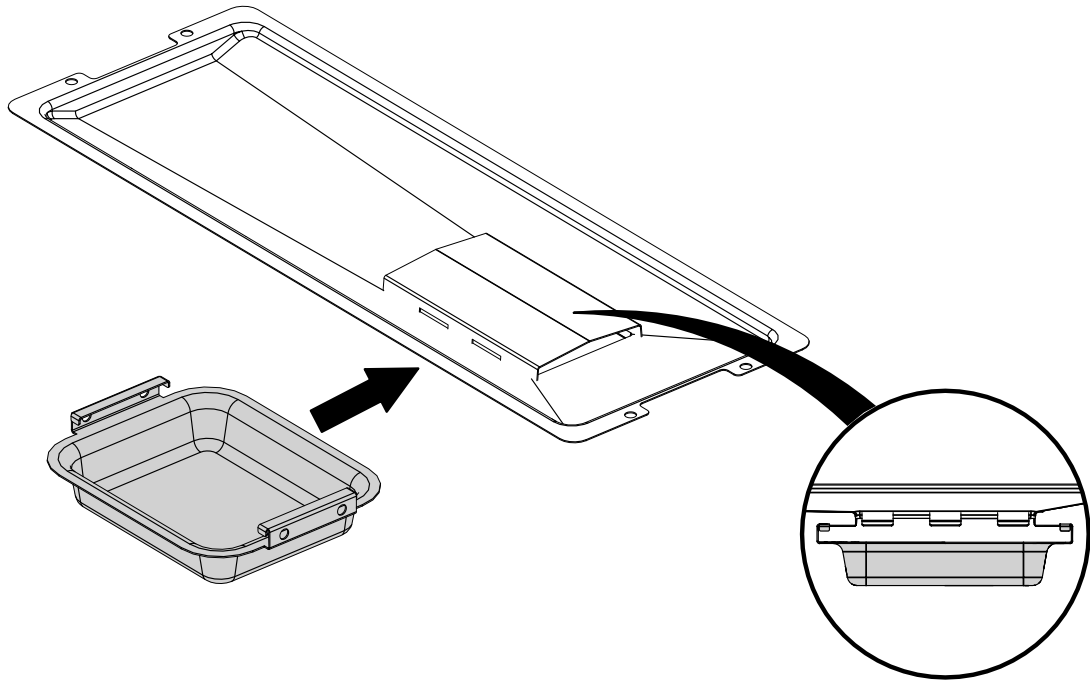
13

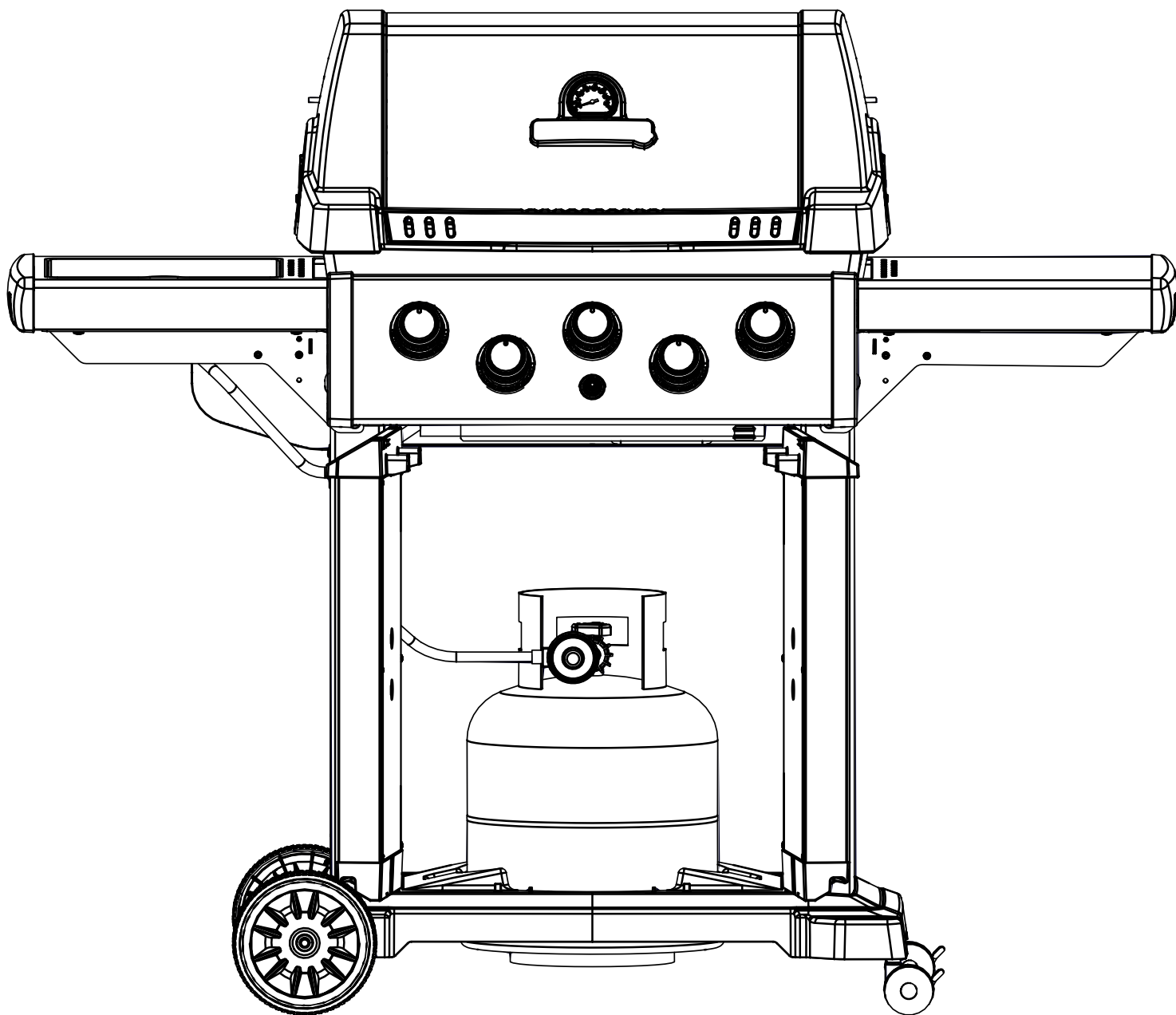
(1)



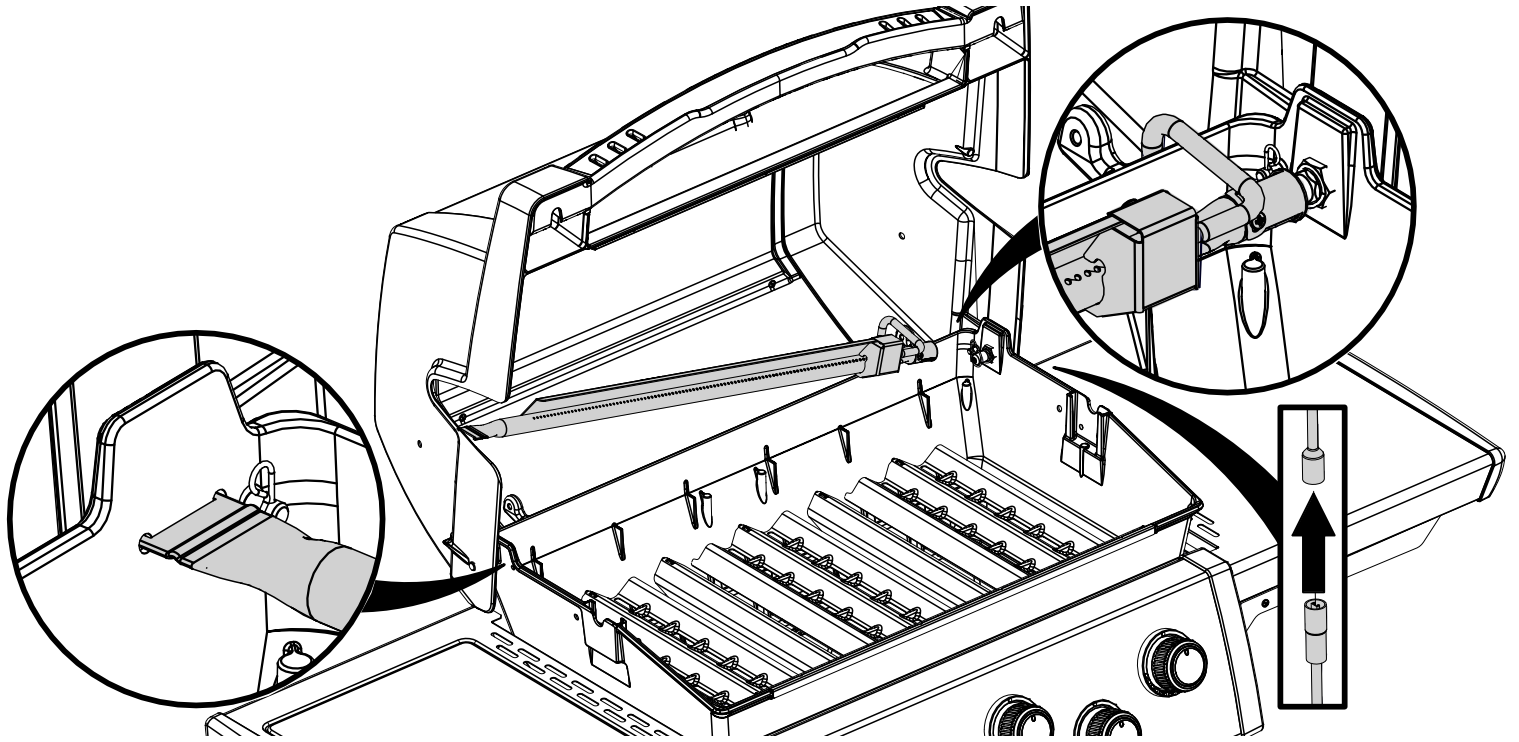
14



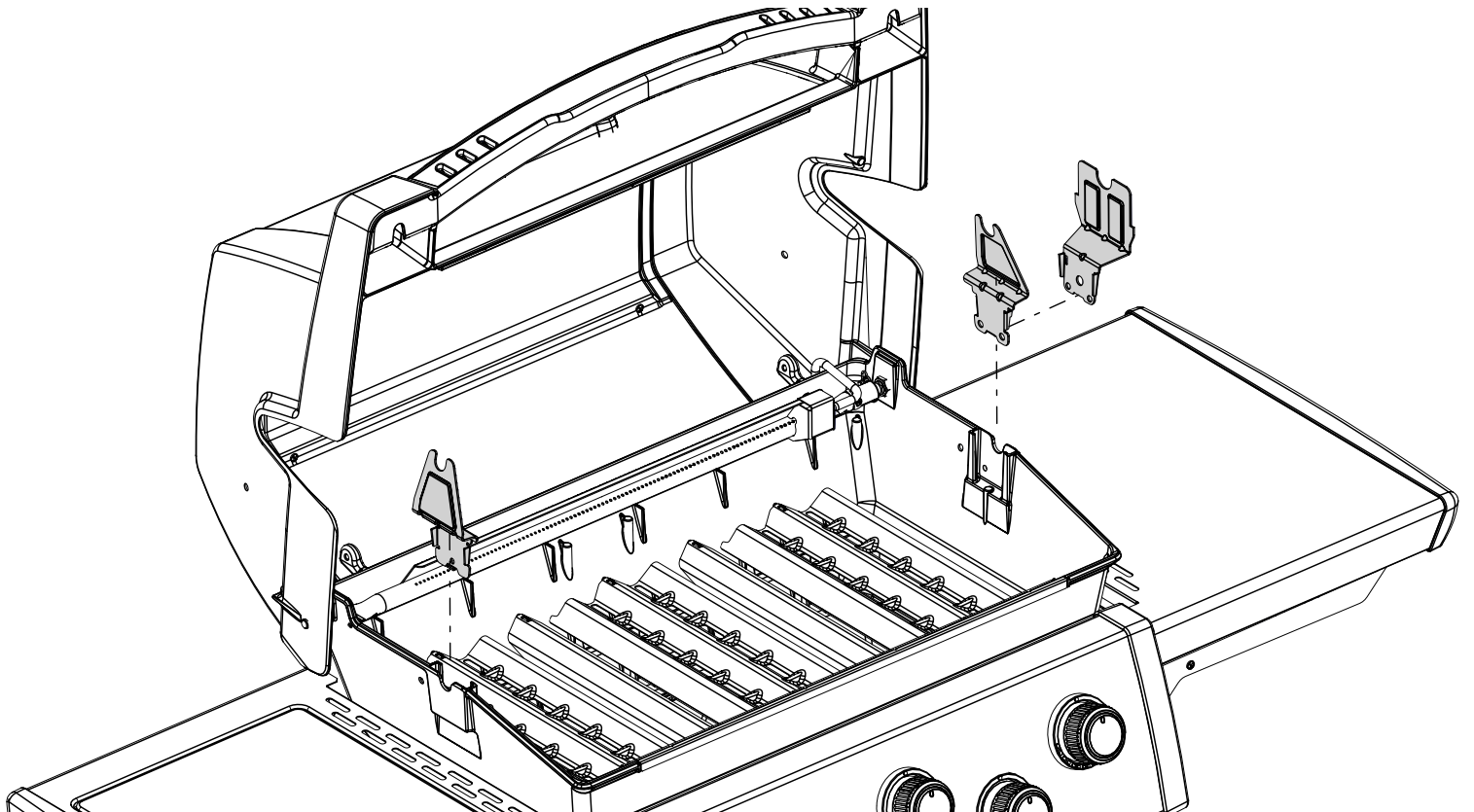




17



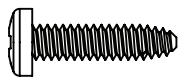
18



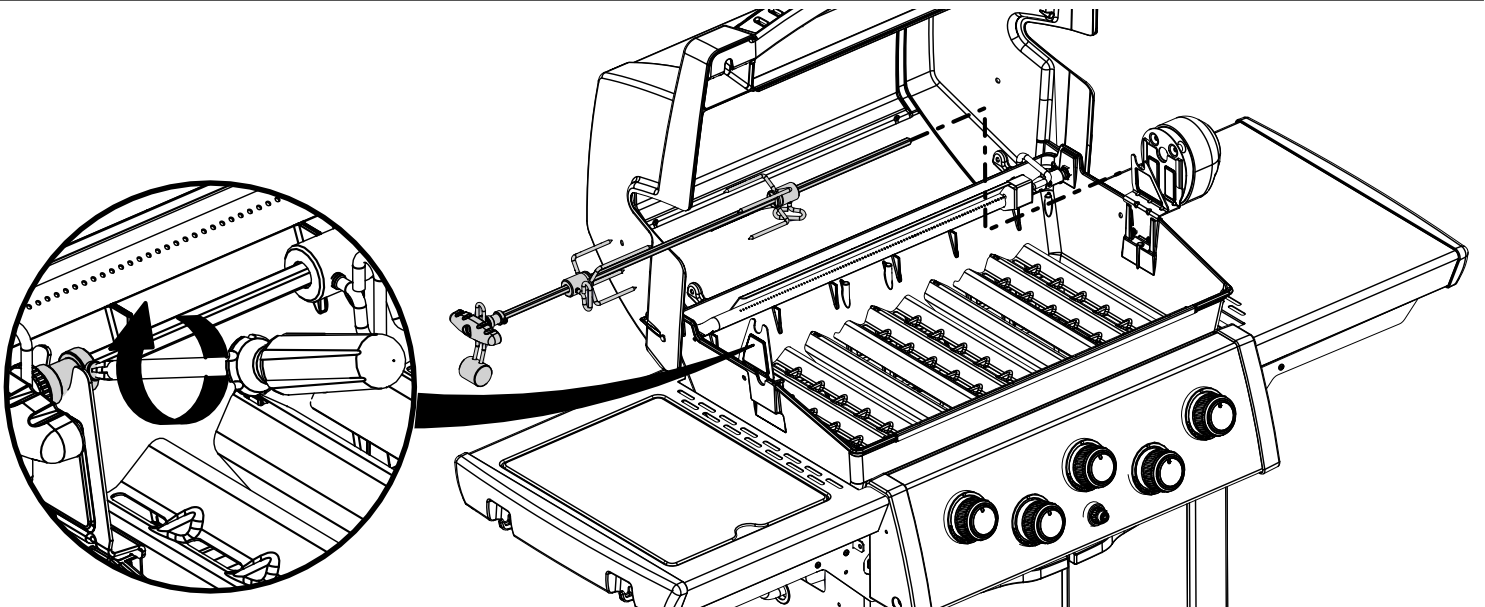
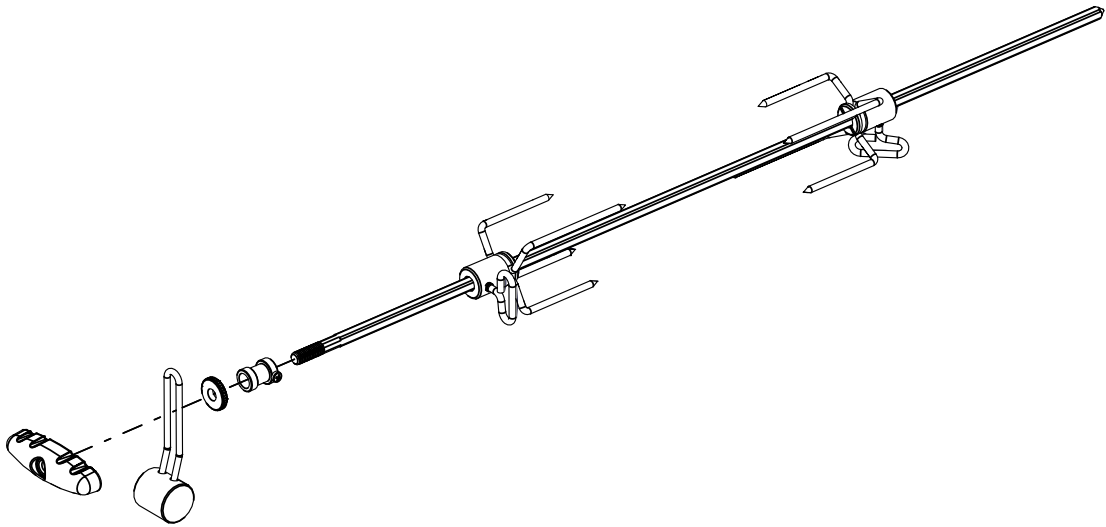
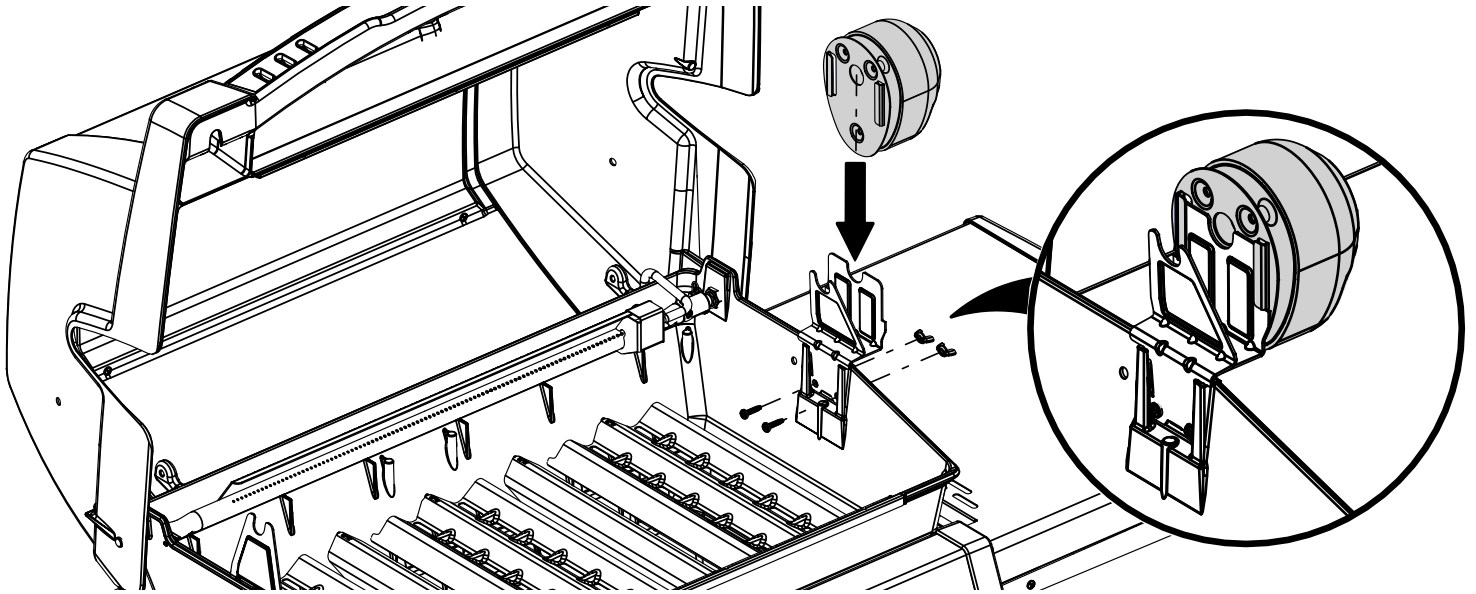
19



(2)



(2)



PARTS LIST / LISTE DES PIECES

KEY #	ITEM #	DESCRIPTION	9864-52	9864-53	9864-82	9864-83	9868-53	9868-63	9869-52	9869-62	9869-42	9869-82	9869-83
84	S15170	AXLE	1	1	1	1	1	1	1	1	1	1	1
85	Y-12865	SCREW- 1/4-20 X 1/2	8	8	8	8	8	8	8	8	8	8	8
86	Y-11545	SCREW 1/4-20 X 1 3/8	4	4	4	4	4	4	4	4	4	4	4
87	Y-11793	NUT- 1/4-20	14	14	16	16	14	16	14	16	16	16	16
96	S21125	SCREW – 8 X 1/2	16	16	16	16	16	16	16	16	16	16	16
98	S21124	SCREW – 8 X 1/2	35	35	35	35	35	35	35	35	35	35	35
98A	Y-12643	SCREW – 8 X 1/2	12	12	12	12	12	12	12	12	12	12	12
99	Y-12646	SCREW – 8 X 1/2	•	•	2	2	•	2	•	2	2	2	2
104	Y-12835	SCREW – 6-32 X 1/4	•	•	4	4	•	2	•	2	4	4	4
105	Y-12853	WASHER	•	•	2	2	•	2	•	2	2	2	2
106	Y-12861	CAP SCREW - 1/4-20 X 3/8	•	•	2	2	•	2	•	2	2	2	2
107	Y-12863	WASHER	•	•	4	4	•	4	•	4	4	4	4
110	53140-981	GRID	•	•	1	1	•	1	•	1	1	1	1
111	10390-E10D	SIDE BURNER	•	•	1	•	•	•	•	1	1	1	•
	10390-E10E	SIDE BURNER	•	•	•	1	•	1	•	•	•	•	1
113	10342-T16	ELECTRODE – SB	•	•	1	1	•	1	•	1	1	1	1
114	23000-251	COVER-SIDE BURNER - BLACK	•	•	1	1	•	•	•	•	•	•	•
	23000-255	COVER-SIDE BURNER - SS	•	•	•	•	•	1	•	1	1	1	1
115	Y-29304	SCREW 10-24 X 3/8	2	2	2	2	2	2	2	2	2	2	2
117	23000-271	SHELF-SIDE BURNER	•	•	1	1	•	1	•	1	1	1	1
122	57054-901	GREASE TRAY	1	1	1	1	1	1	1	1	1	1	1
123	52009-901	GREASE PAN	1	1	1	1	1	1	1	1	1	1	1
124	52049-91	SHIELD - GREASE TRAY	1	1	1	1	1	1	1	1	1	1	1
135	Y-12119	3/8 HEYCO BUSHING	2	2	3	3	2	3	2	3	3	3	3
136	10184-E43	ROTISSERIE SHIELD	1	1	1	1	1	1	1	1	1	1	1
137	10184-E42	ROTISSERIE BRACKET	1	1	1	1	1	1	1	1	1	1	1
138	10184-E44	ROTISSERIE SHIELD	1	1	1	1	1	1	1	1	1	1	1
139	S21061	WING NUT	2	2	2	2	2	2	2	2	2	2	2
140	Y-29306	BOLT - 10-24 x 3/4	2	2	2	2	2	2	2	2	2	2	2
141	S15271	HANDLE	•	•	1	1	•	•	•	•	1	1	1
142	S15270	BALANCER	•	•	1	1	•	•	•	•	1	1	1
143	S15263	BUSHING	•	•	1	1	•	•	•	•	1	1	1
144	Y-12220	BUSHING	•	•	1	1	•	1	•	1	1	1	1
145	S15257	SPIT ROD	•	•	1	1	•	•	•	•	1	1	1
147	S15299	WASHER	•	•	1	1	•	•	•	•	1	1	1
148	S15287	4 PRONG FORKS	•	•	2	2	•	•	•	•	2	2	2
155	Y-12124	DOOR PIN CAP	2	2	2	2	2	2	2	2	2	2	2
166	Y-12117	BUSHING	•	•	2	2	•	2	•	2	2	2	2

