

Broil King®

Broil King.

REGAL 590
9582-82
9582-83
9582-83NZ



Broil King.

REGAL 590 PRO
9583-42
9583-43
9583-82
9583-83



RETAIN FOR FUTURE REFERENCE

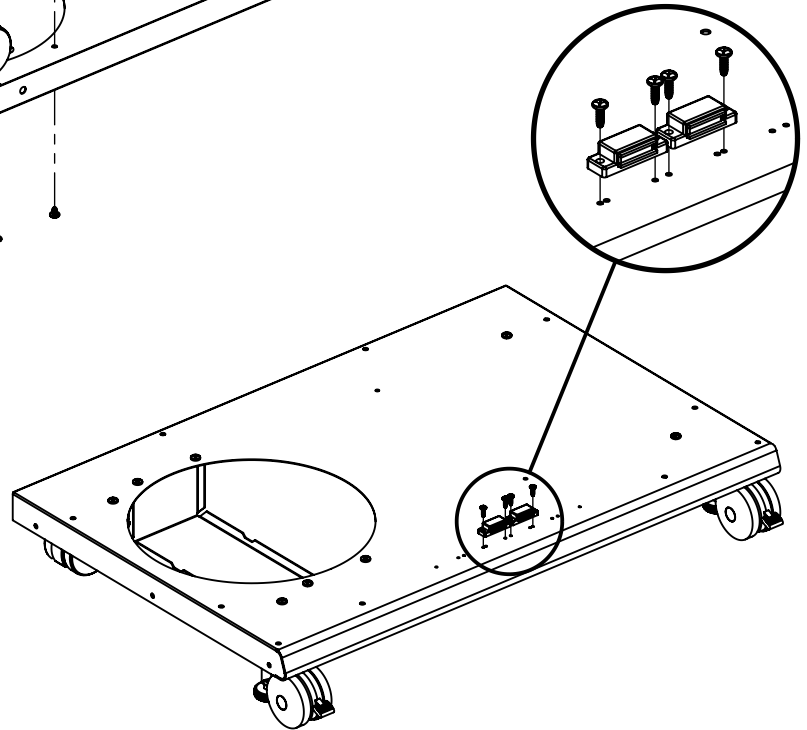
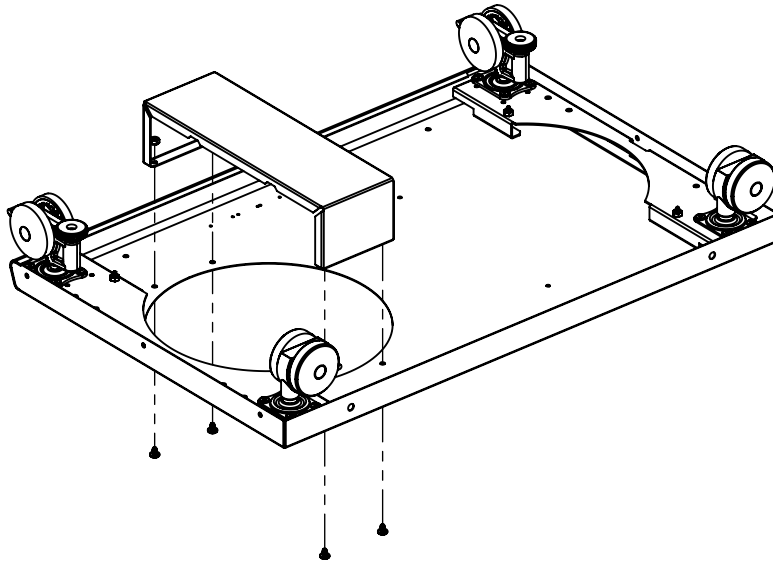
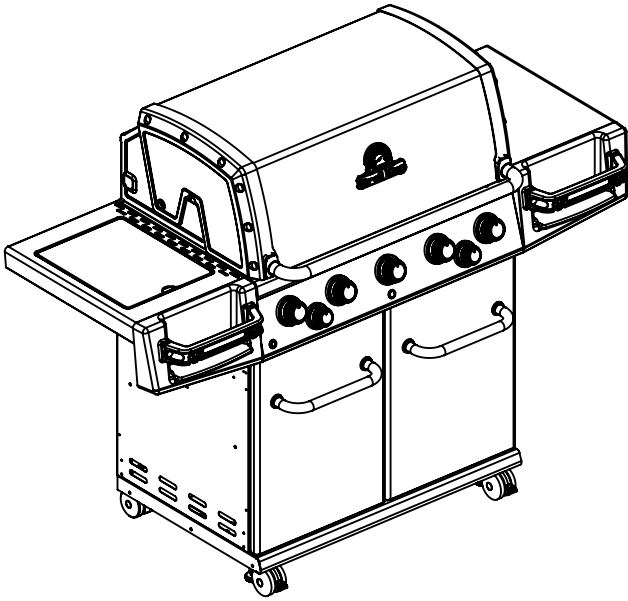
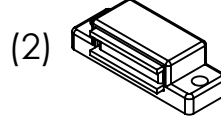
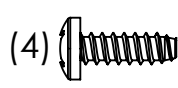
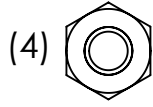
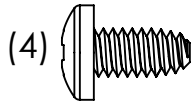
VEUILLEZ CONSERVER POUR REFERENCE ULTERIEURE

info@omcbbq.com
1-800-265-2150


Onward
SINCE 1906
MANUFACTURING COMPANY
585 KUMPF DRIVE LIMITED
WATERLOO, ONTARIO, CANADA
N2V 1K3

20084-E78EU REV I 06/16

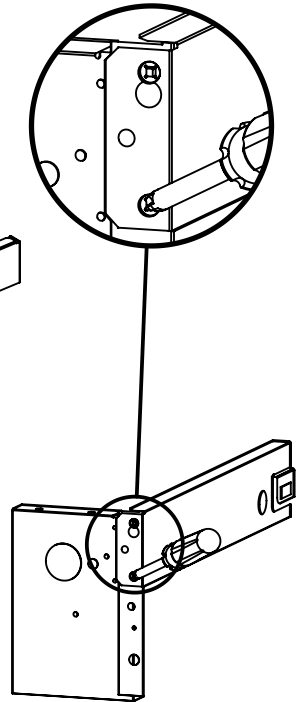
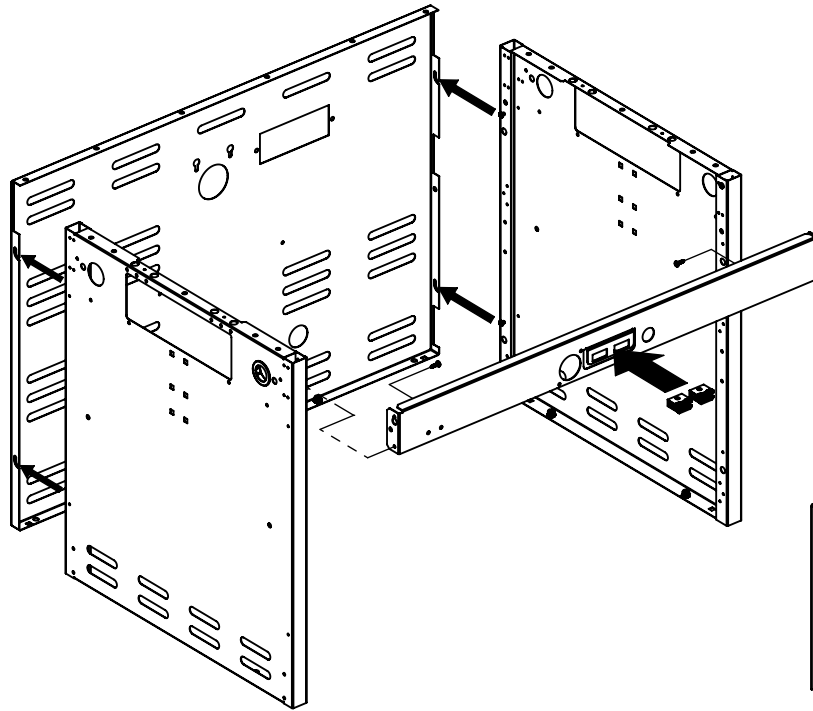
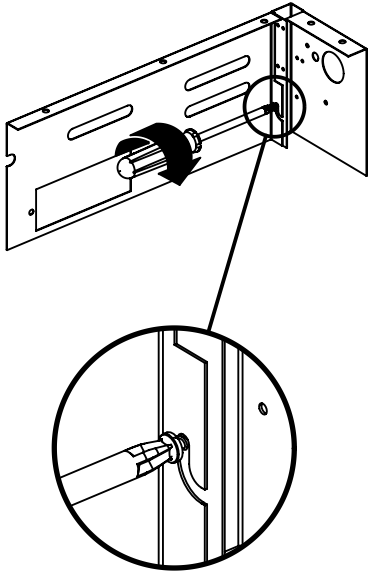
1



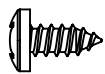
2

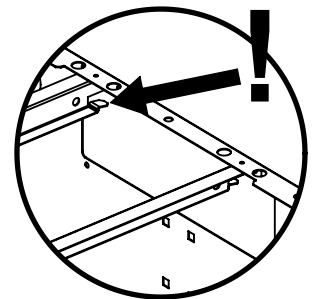
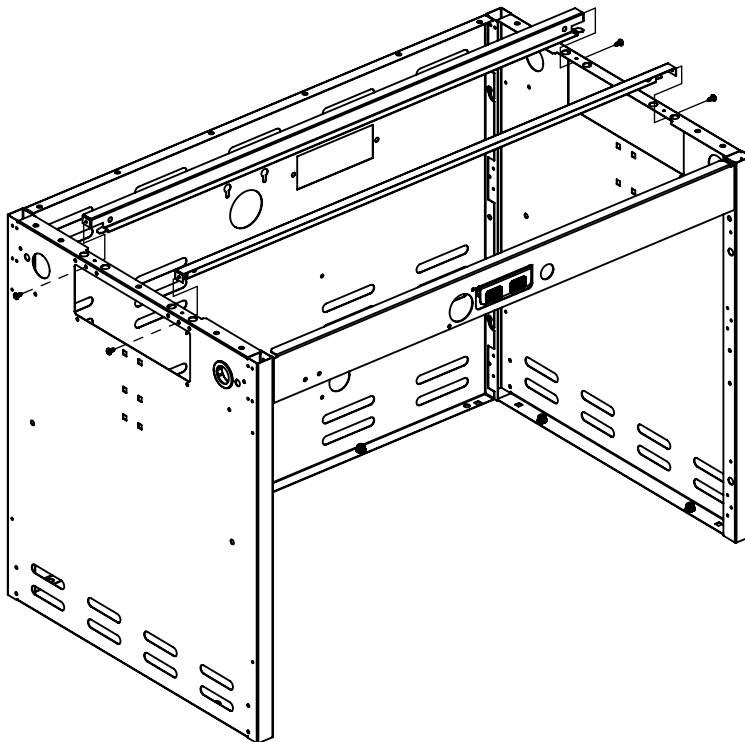
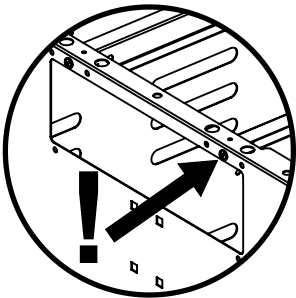
(2) 

(2) 



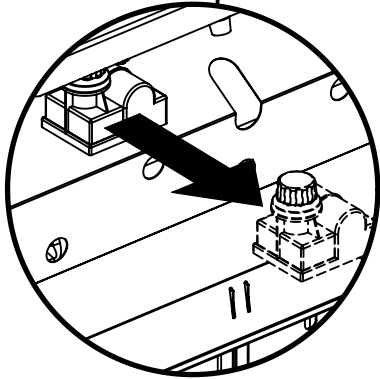
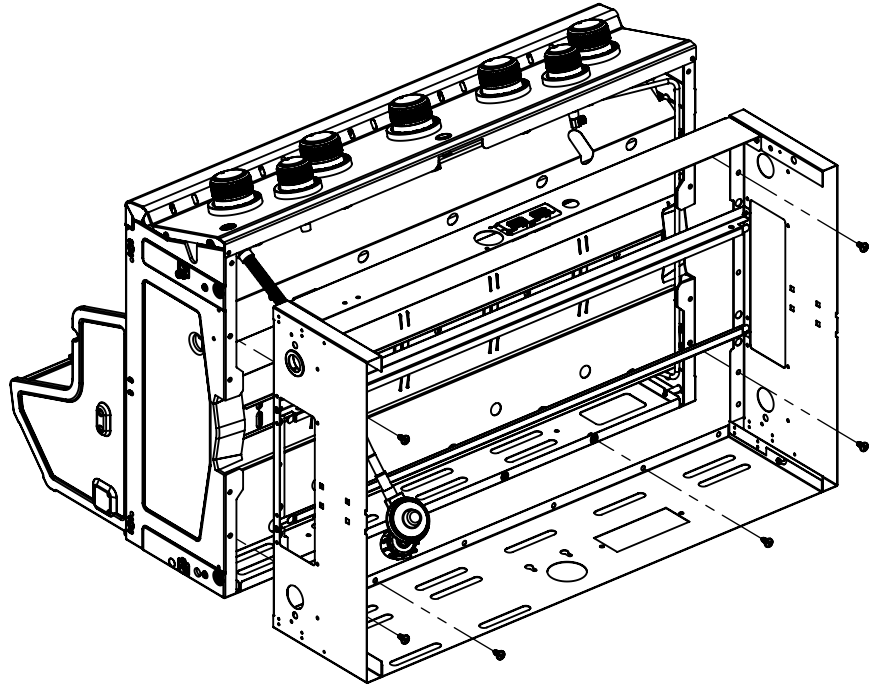
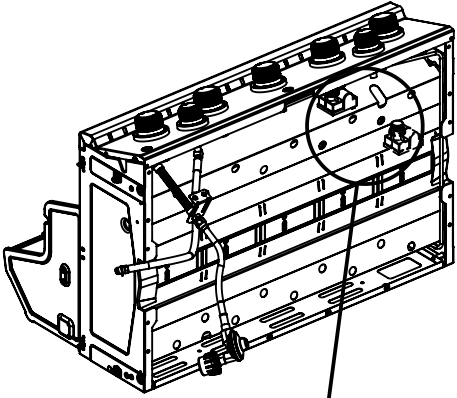
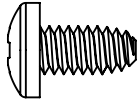
3

(4) 



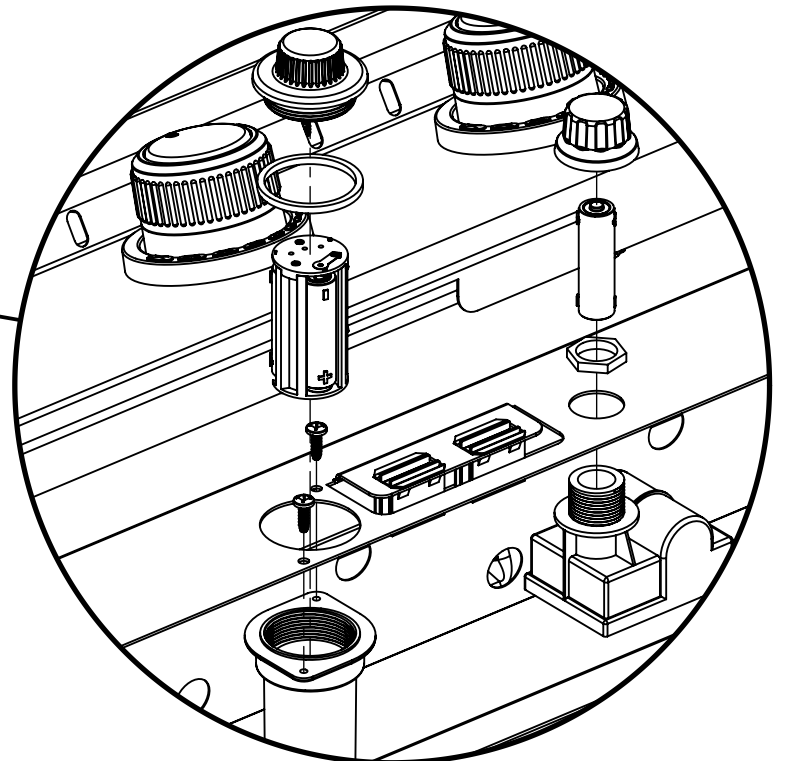
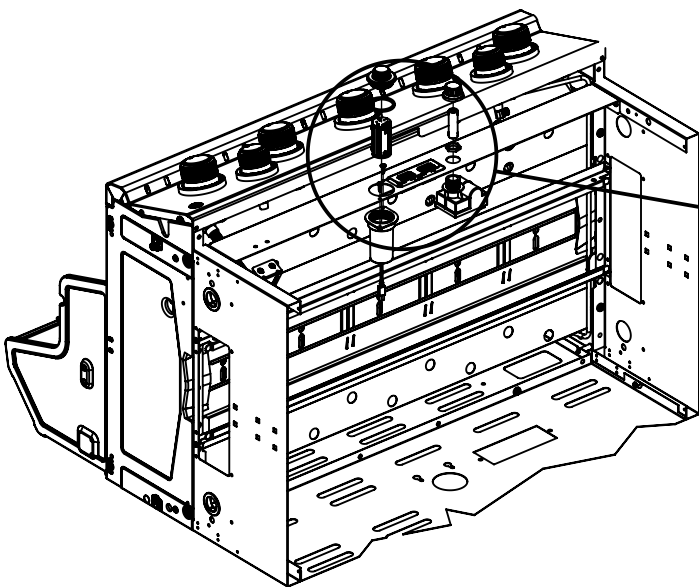
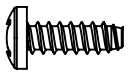
4

(6)

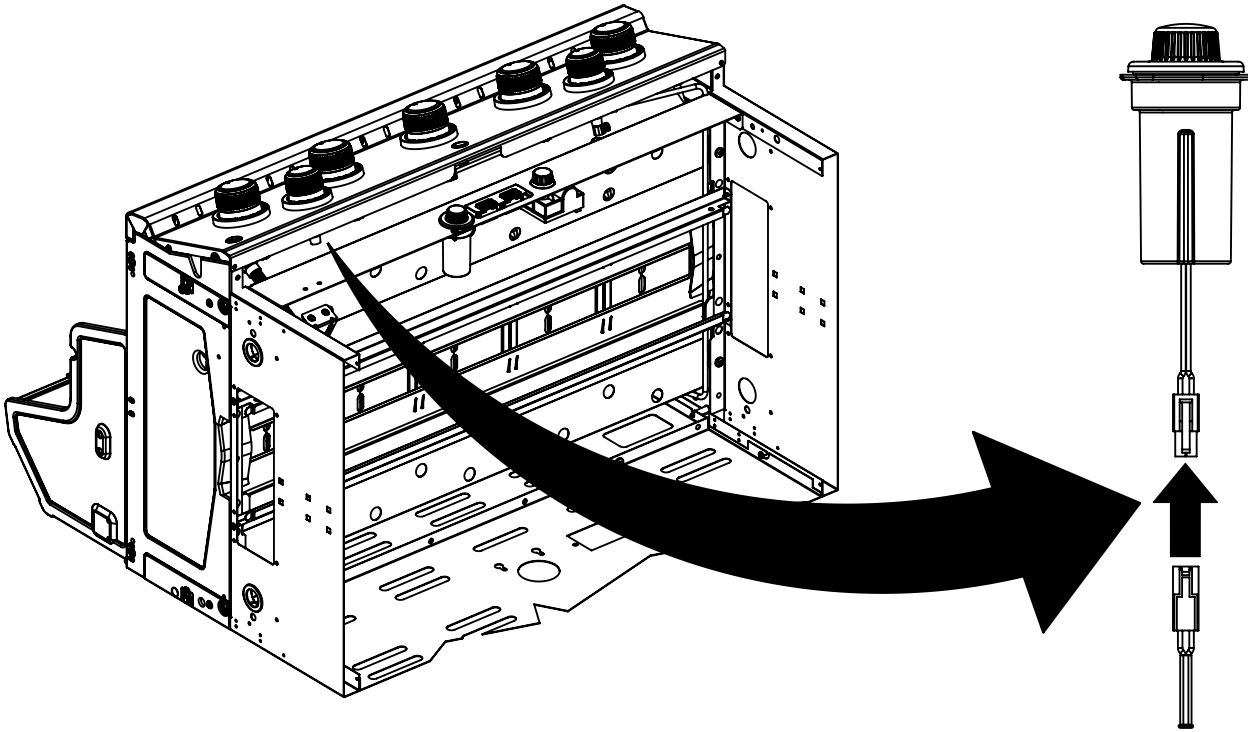


5

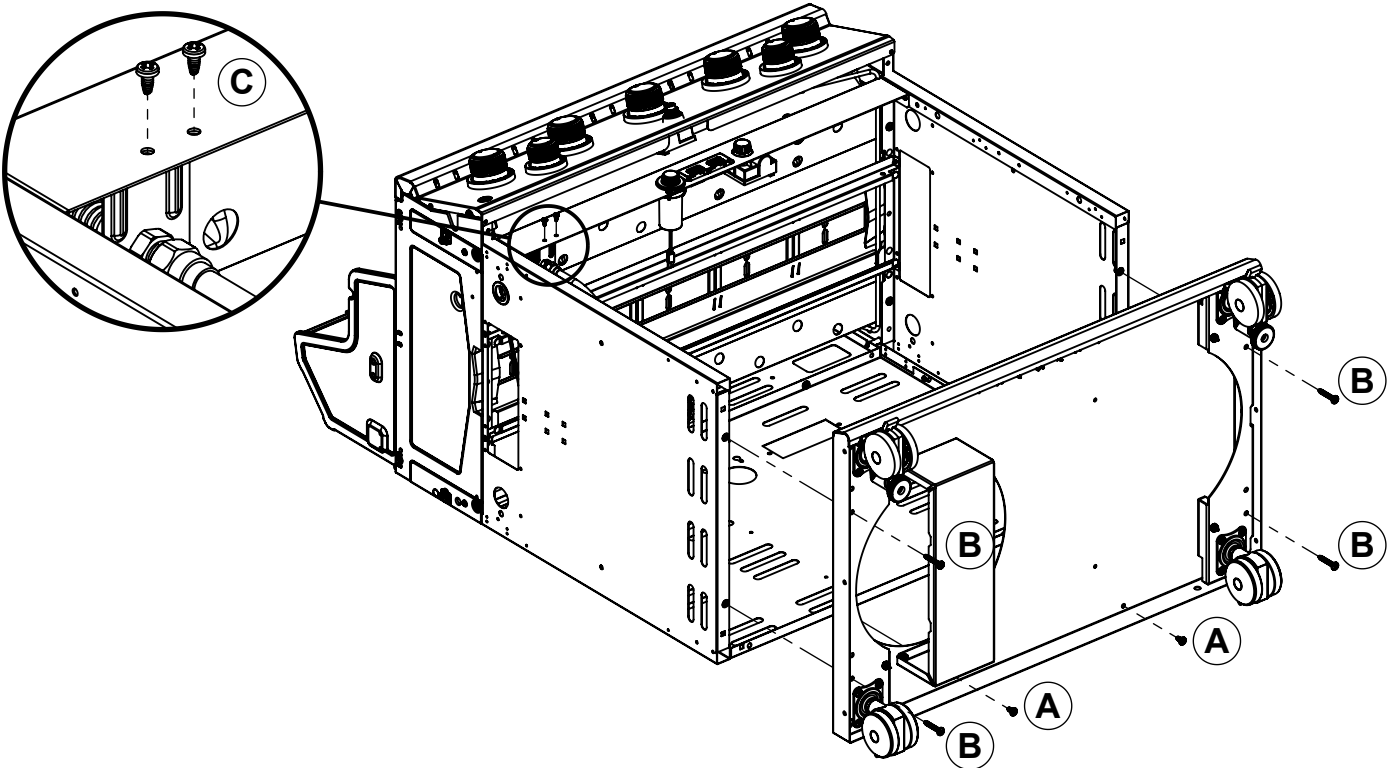
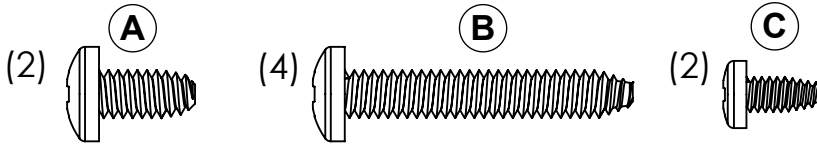
(2)



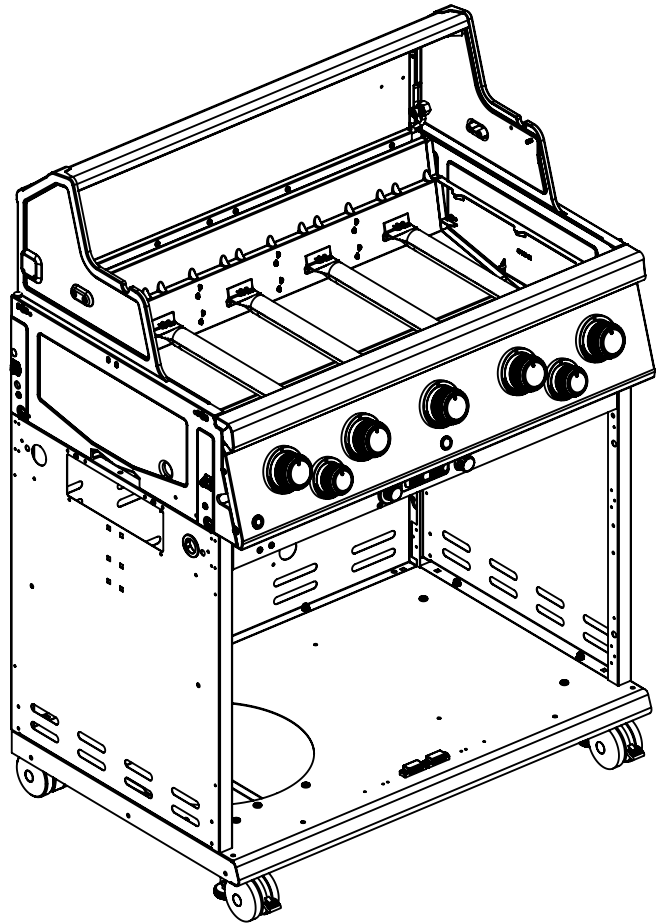
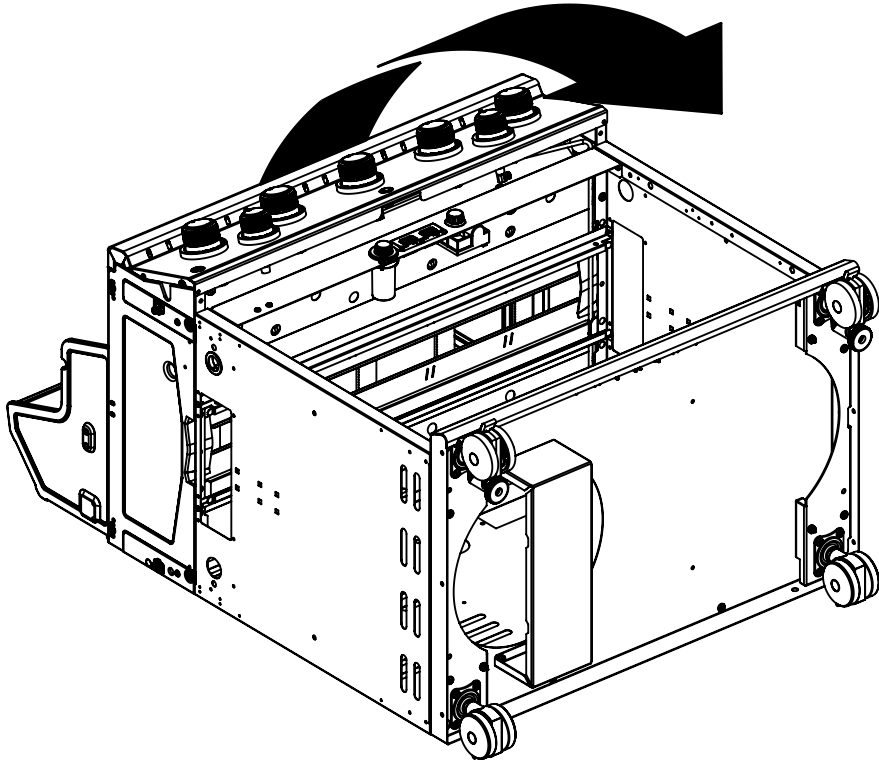
6



7

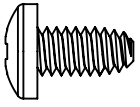


8

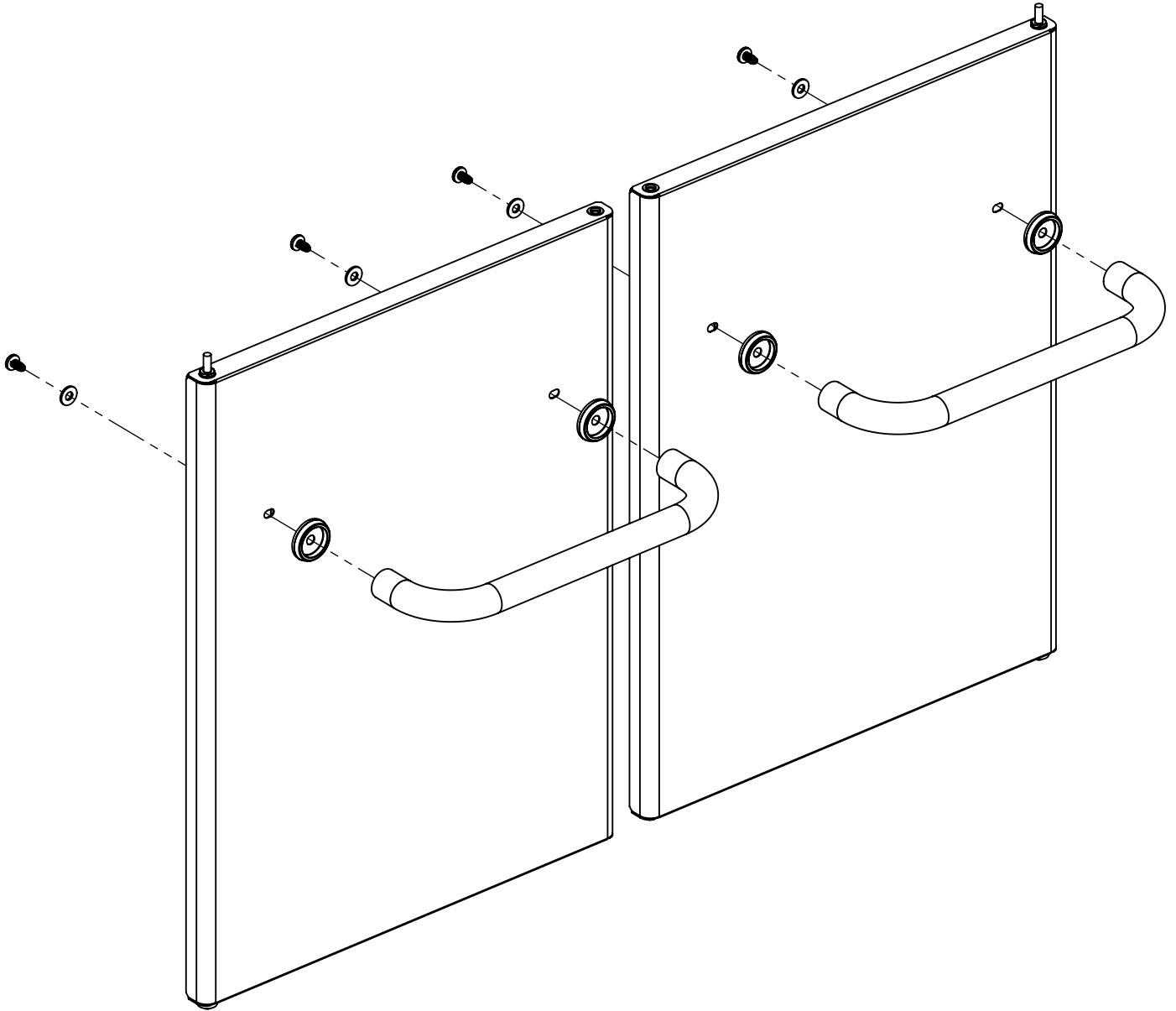
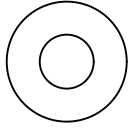


9

(4)

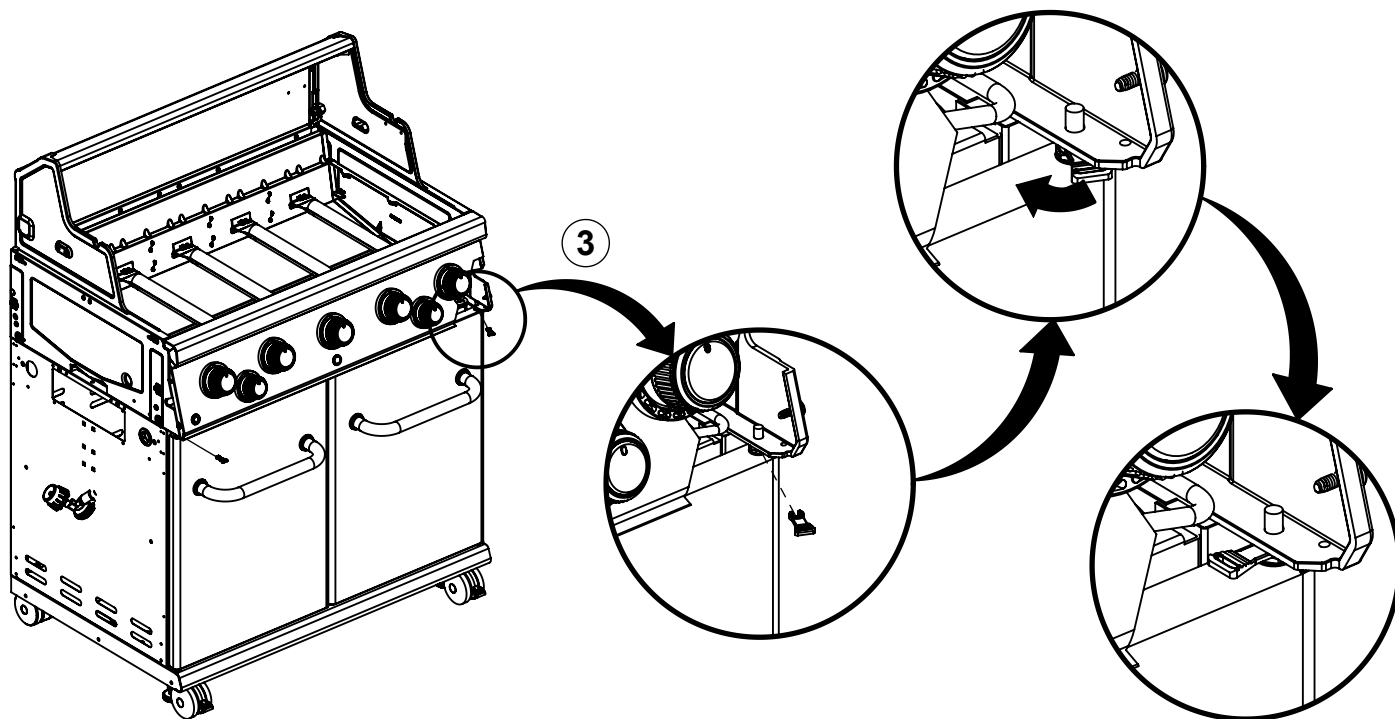
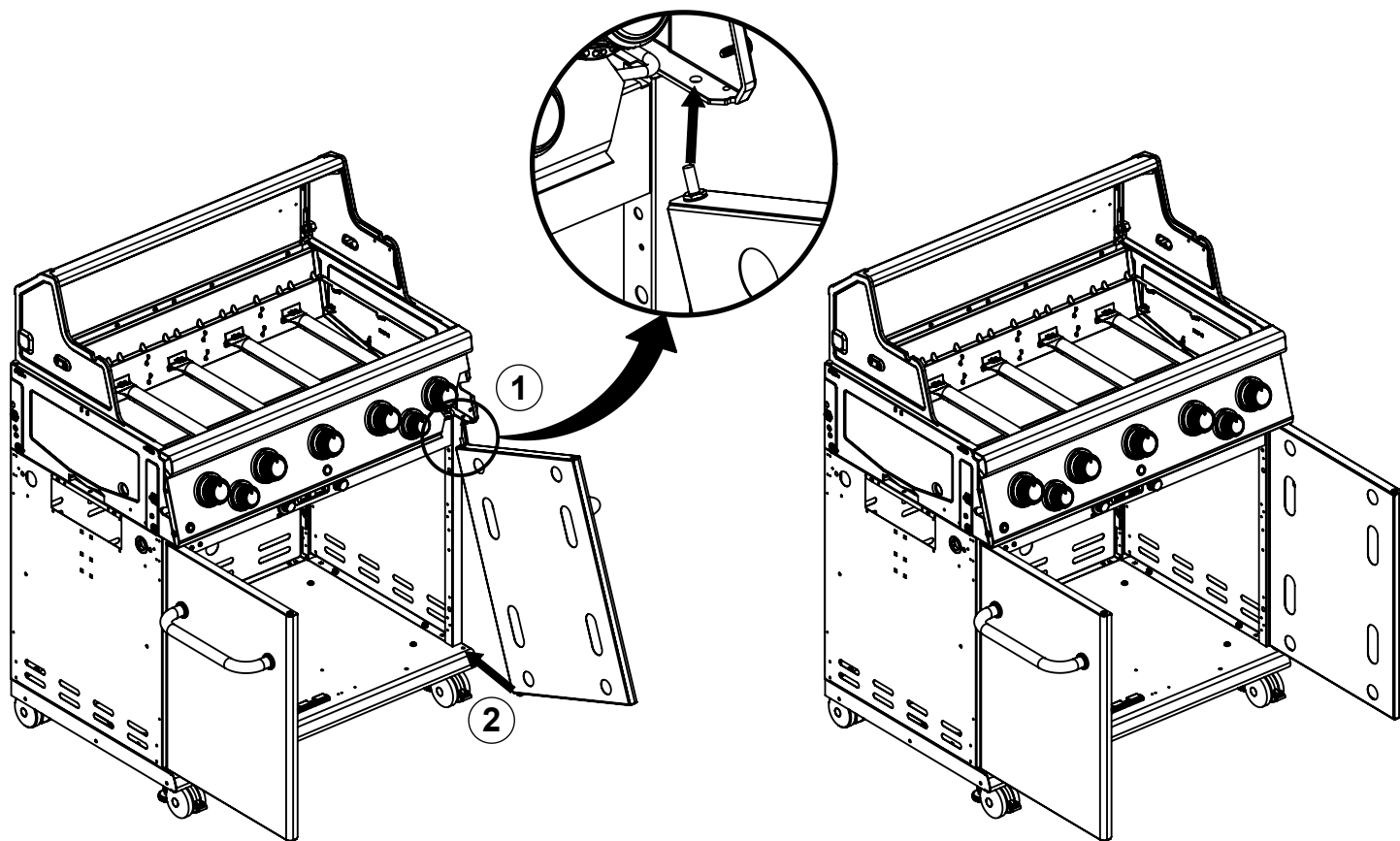
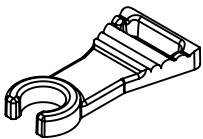


(4)

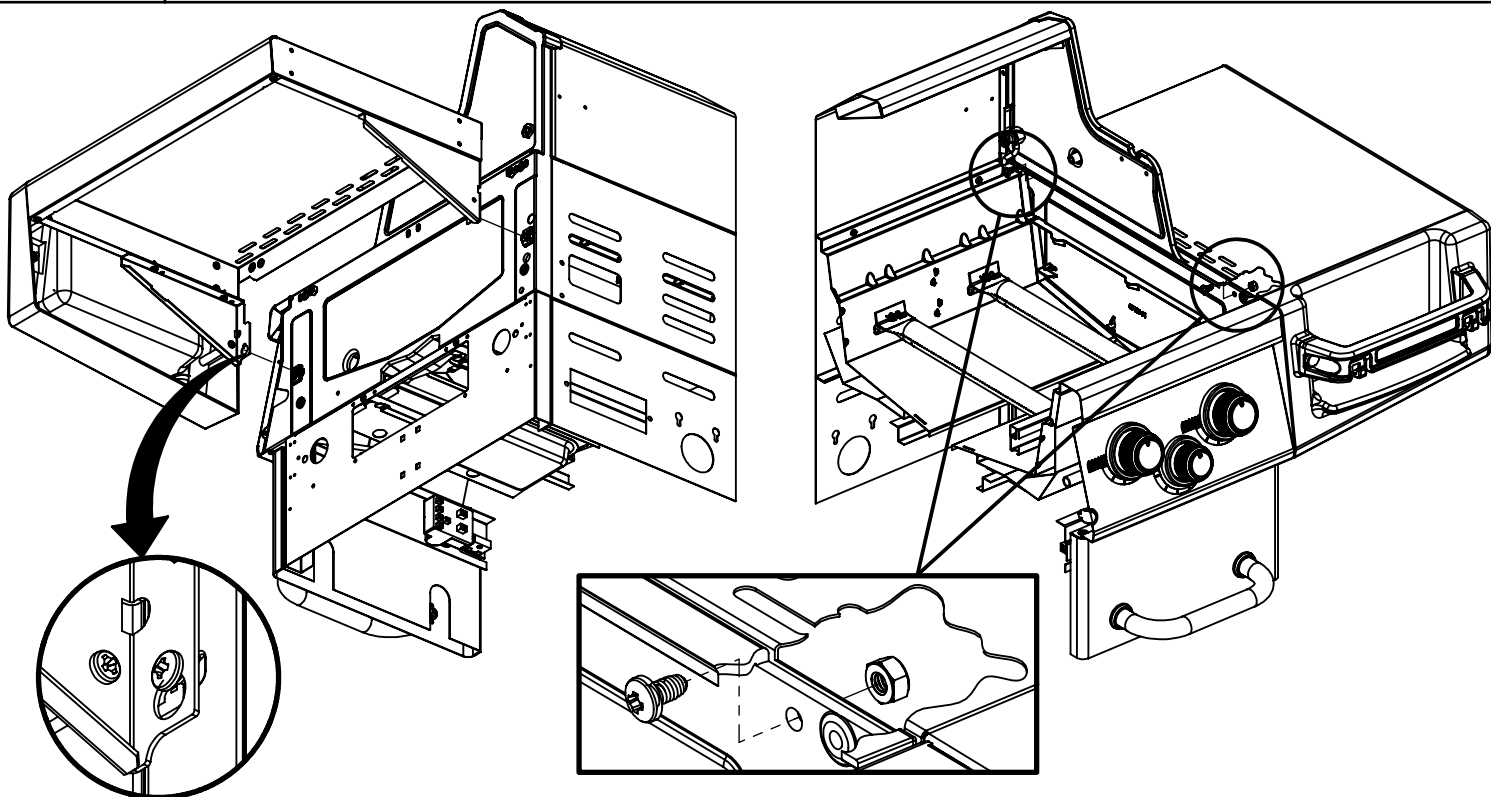
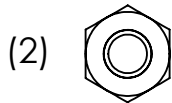
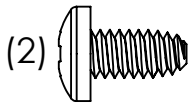


10

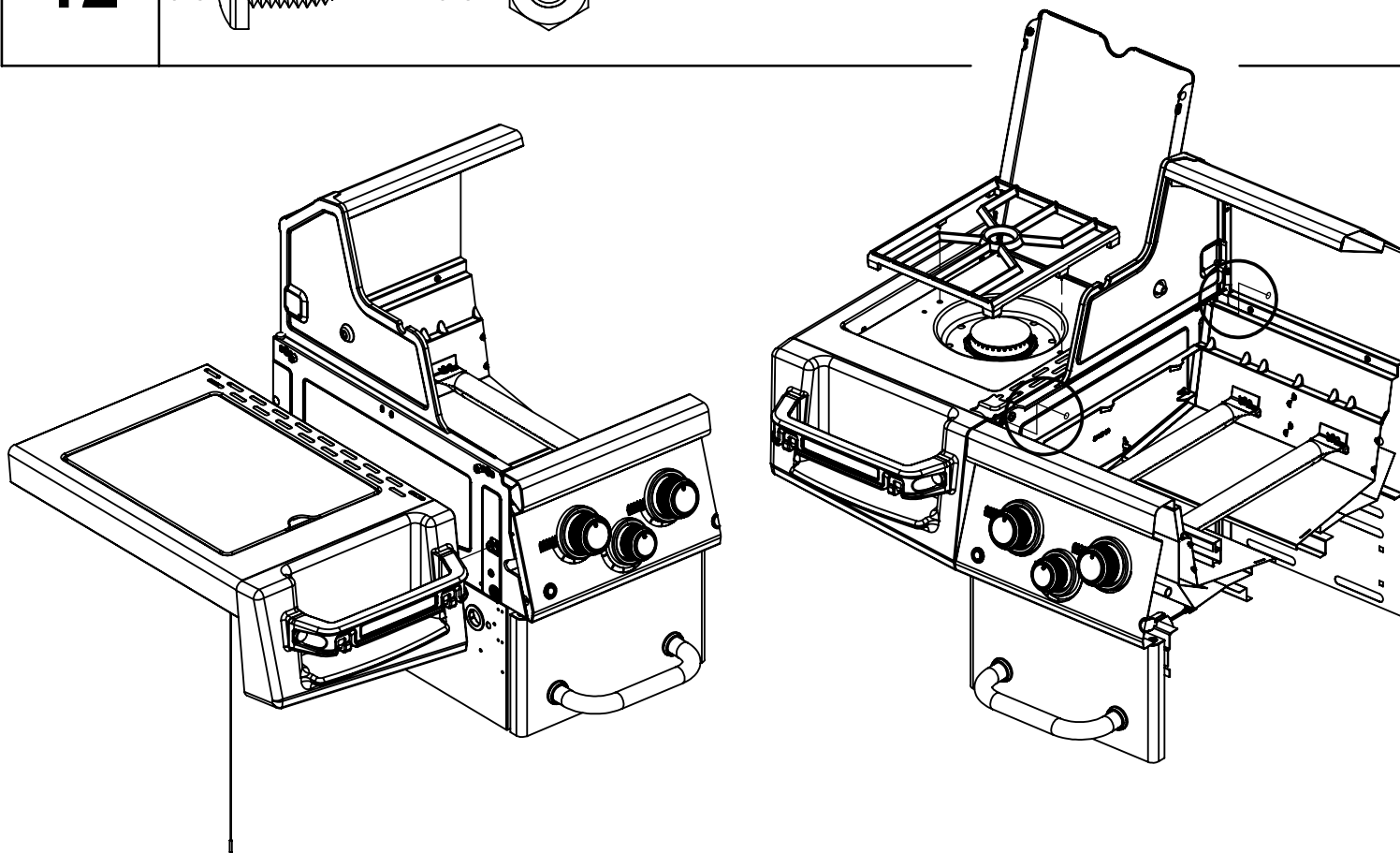
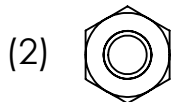
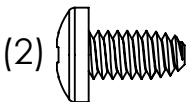
(2)



11

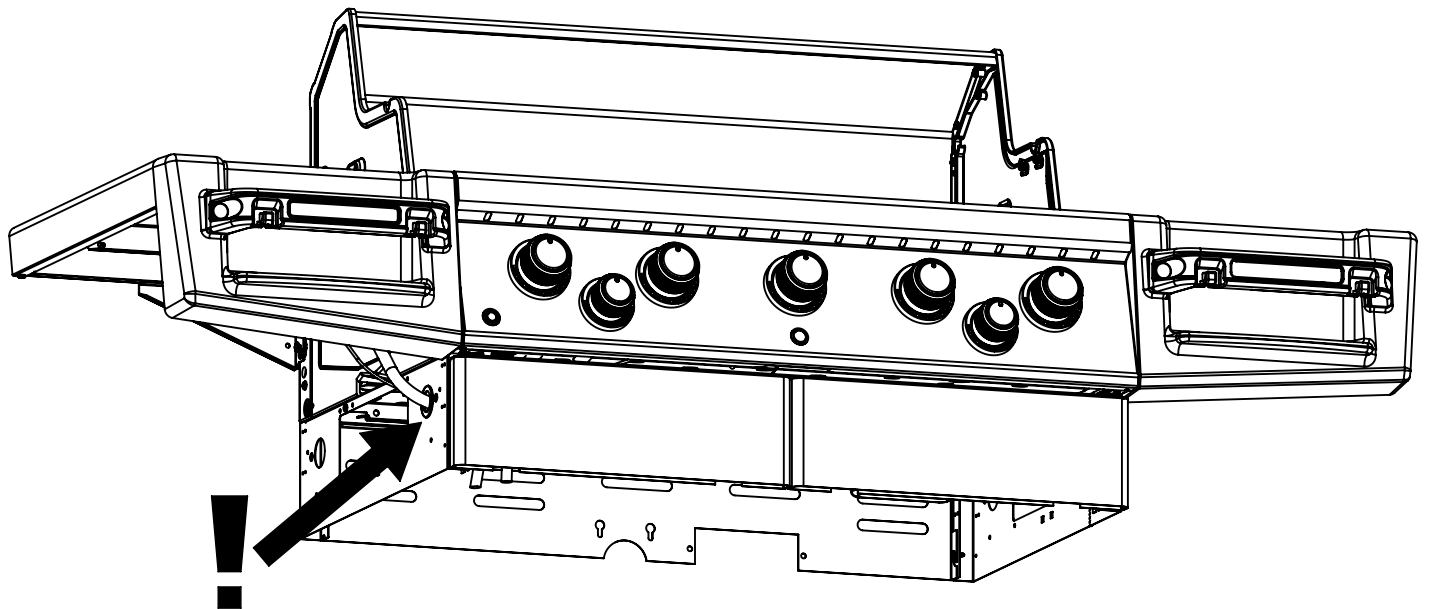
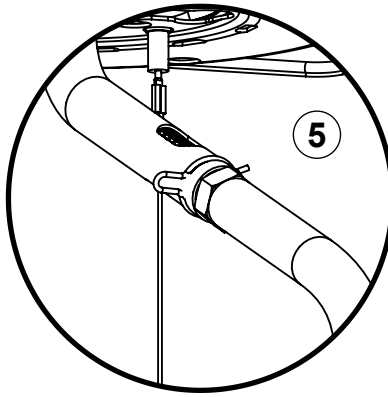
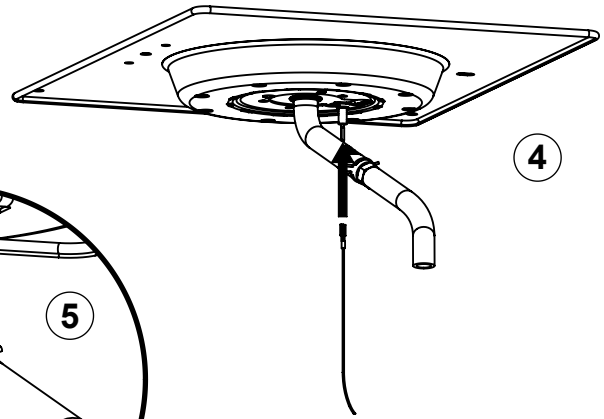
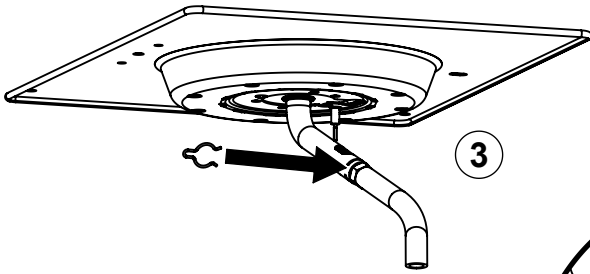
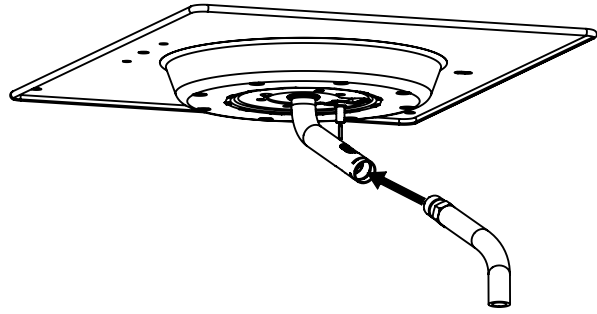
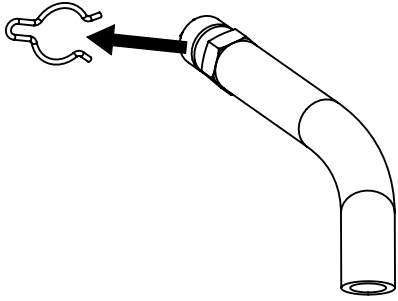
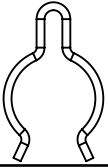


12

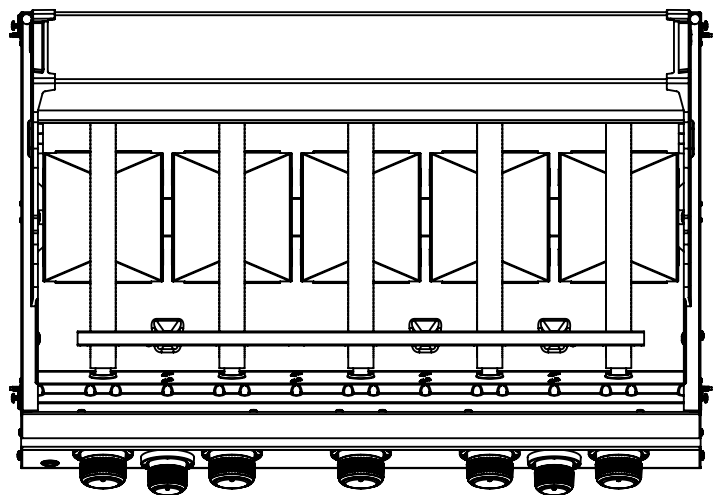
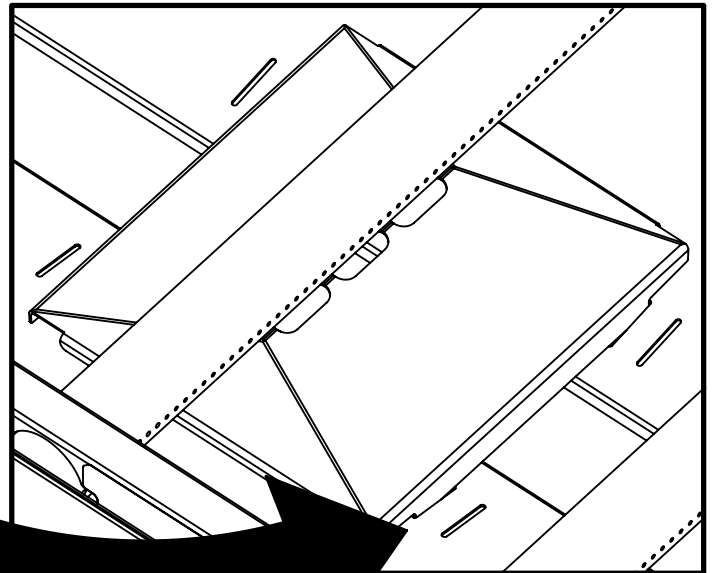
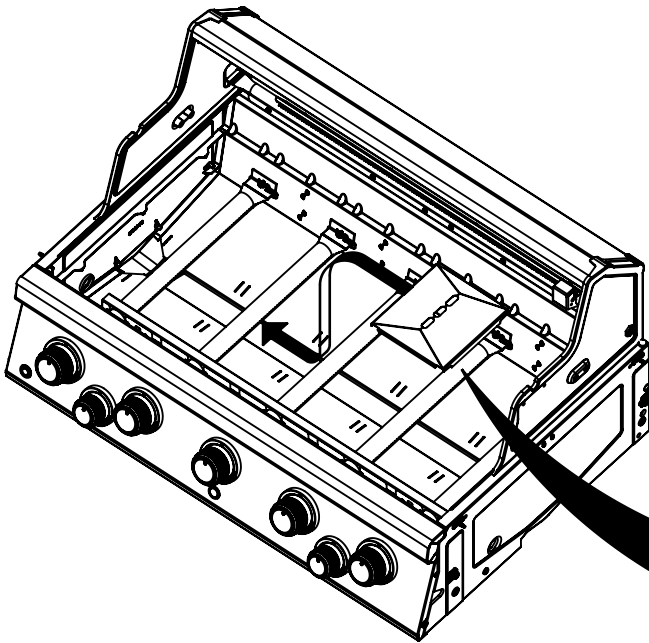
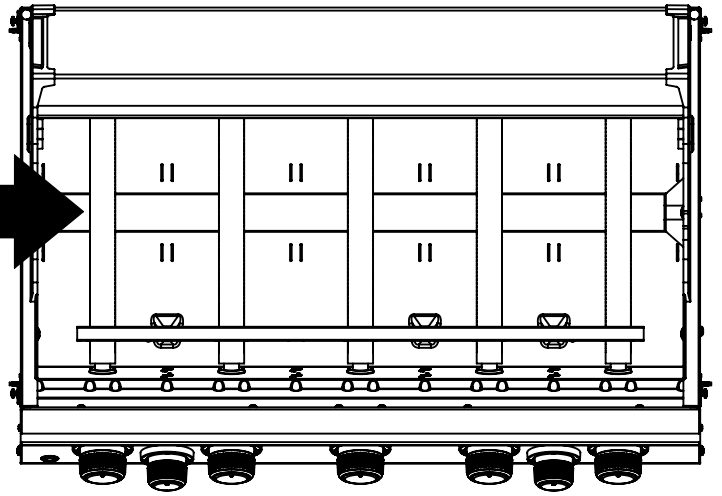
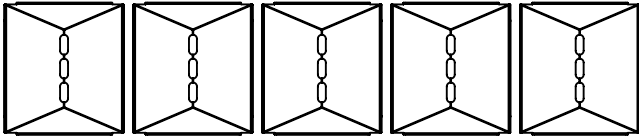


13

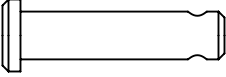
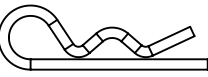
(1)

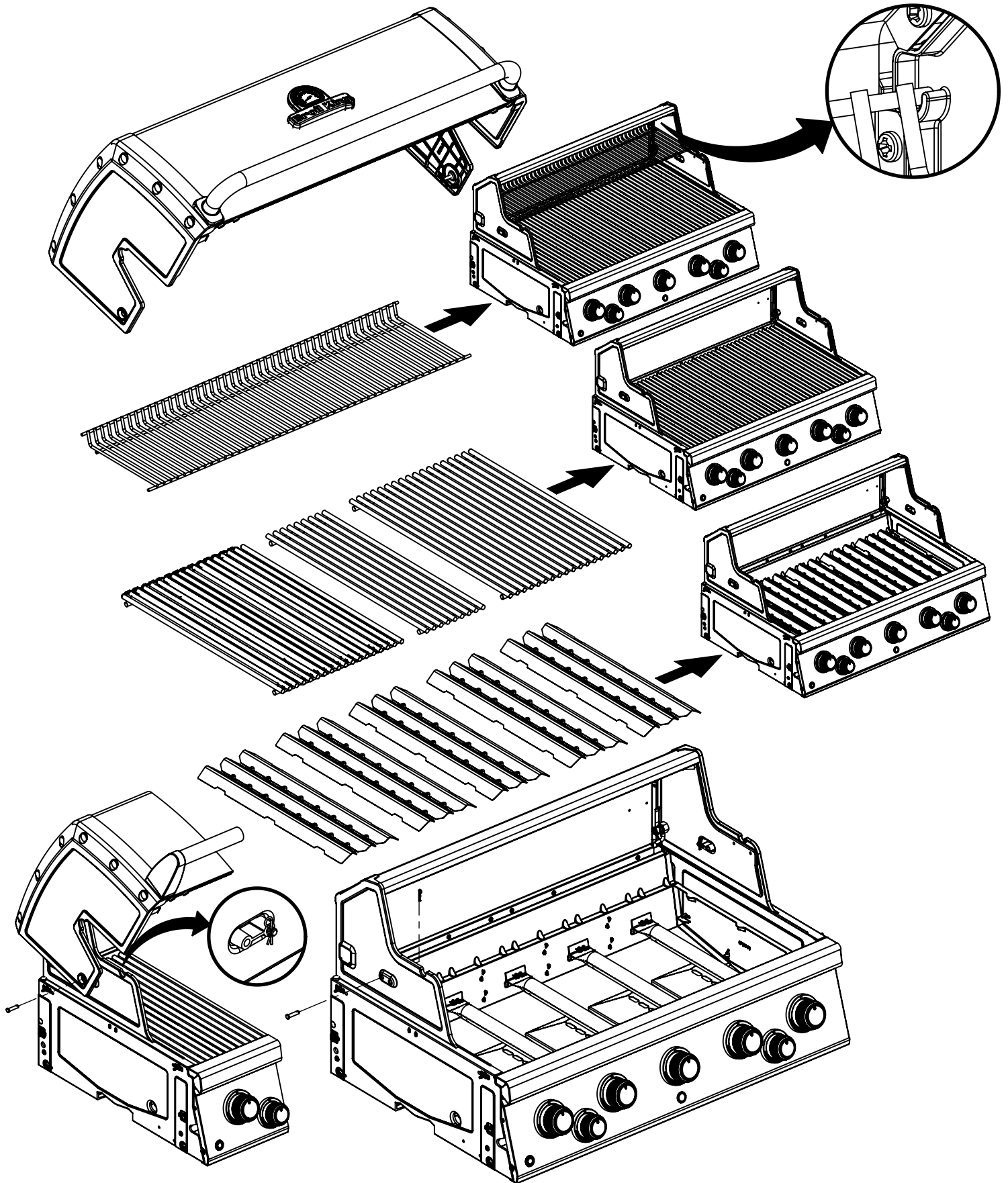


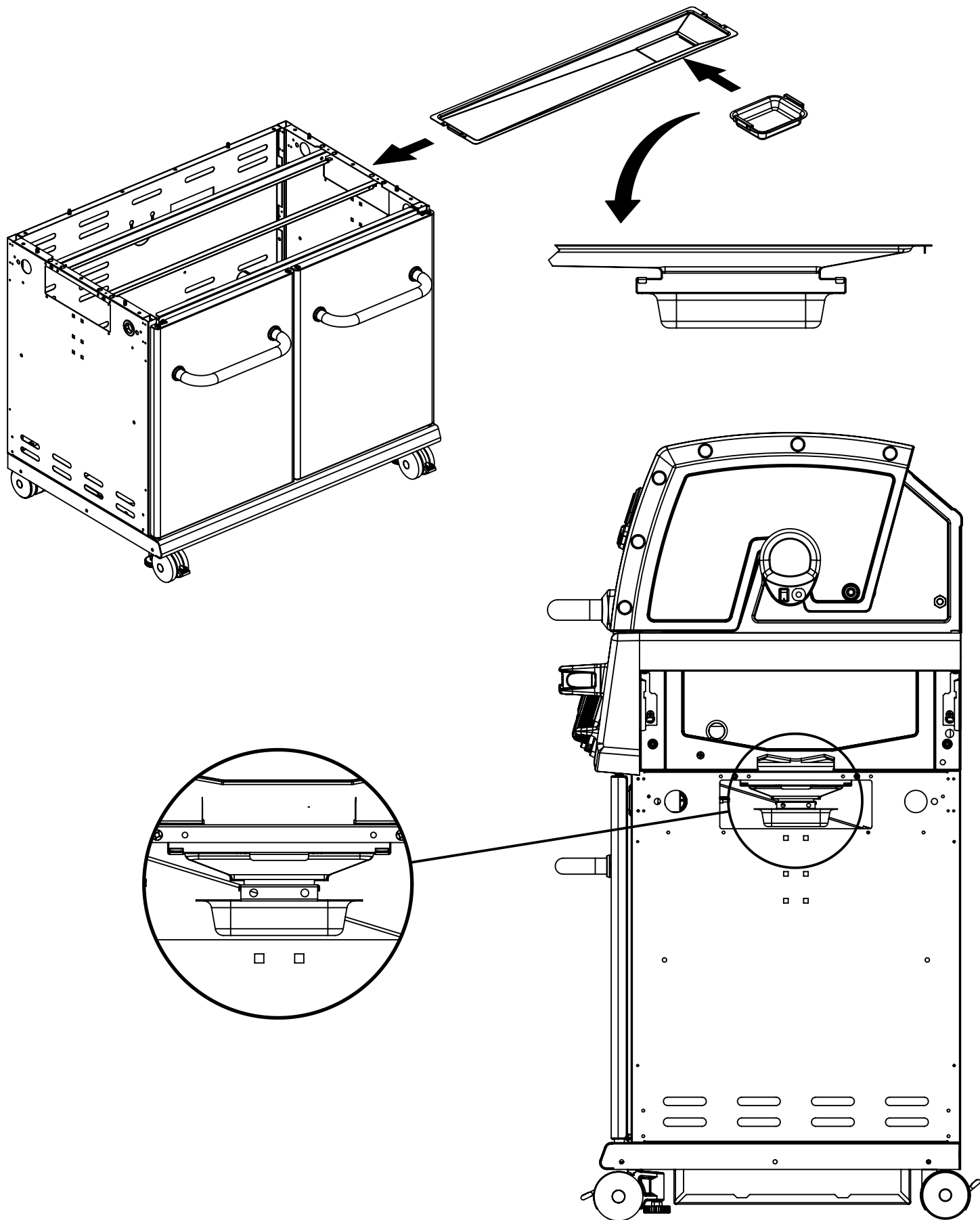
14



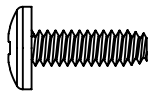
15

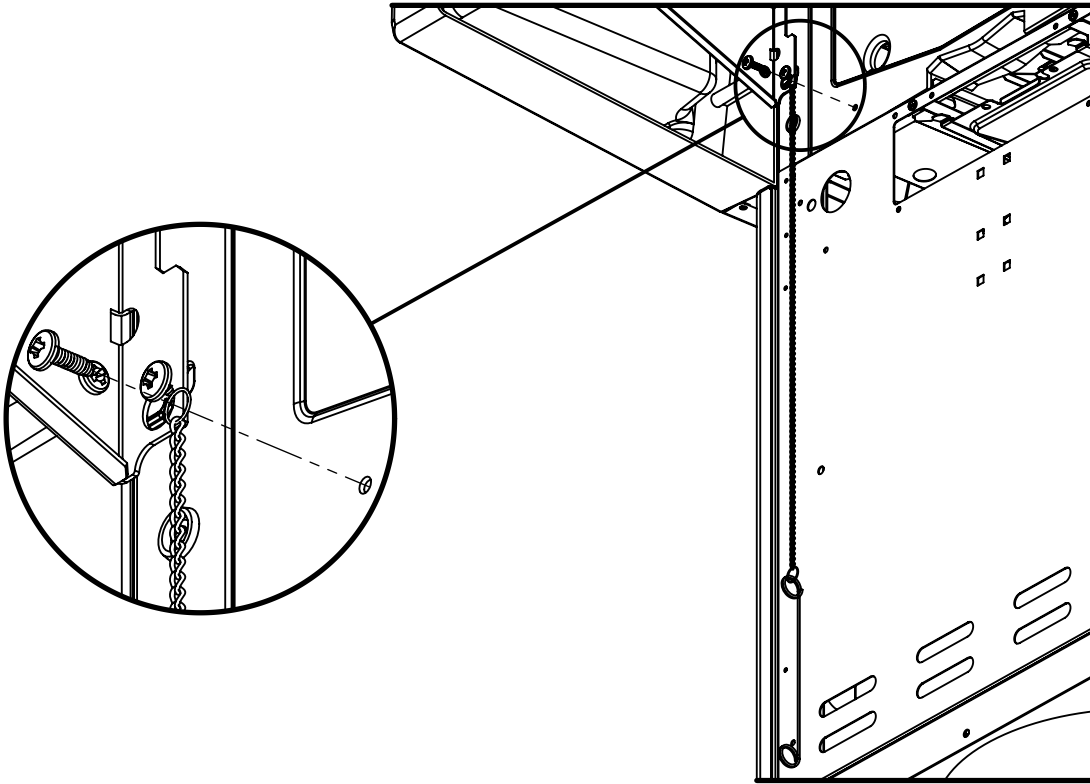
(2)  (2) 



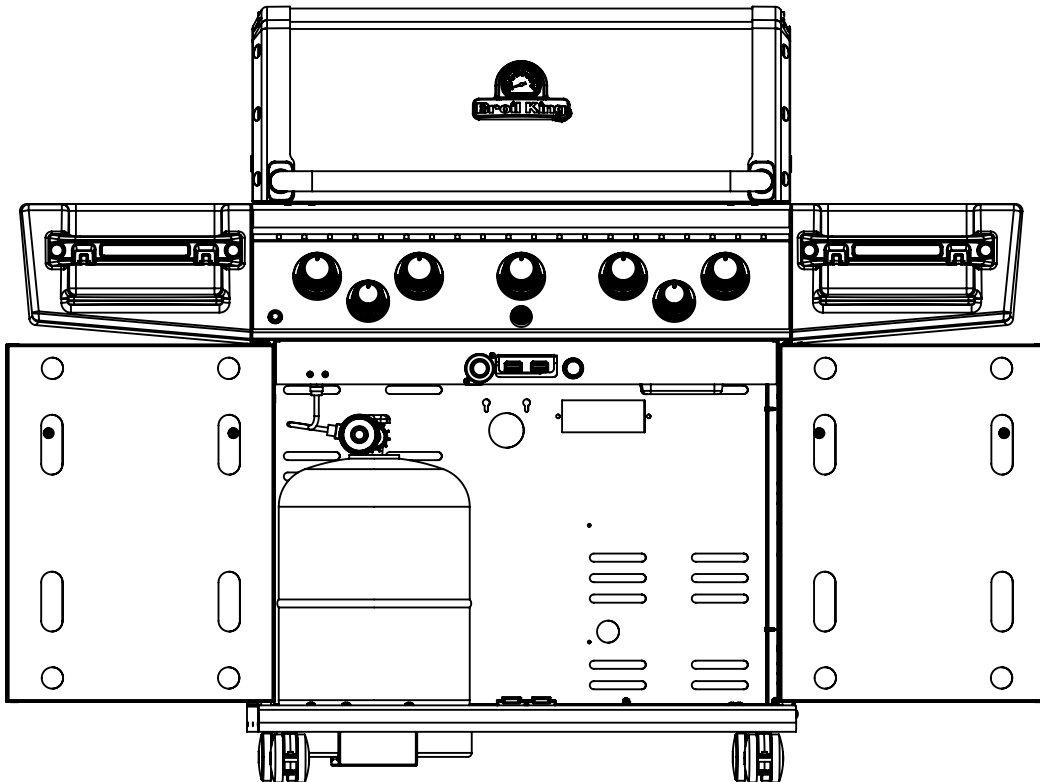


17

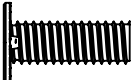
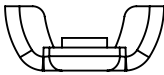
(1) 

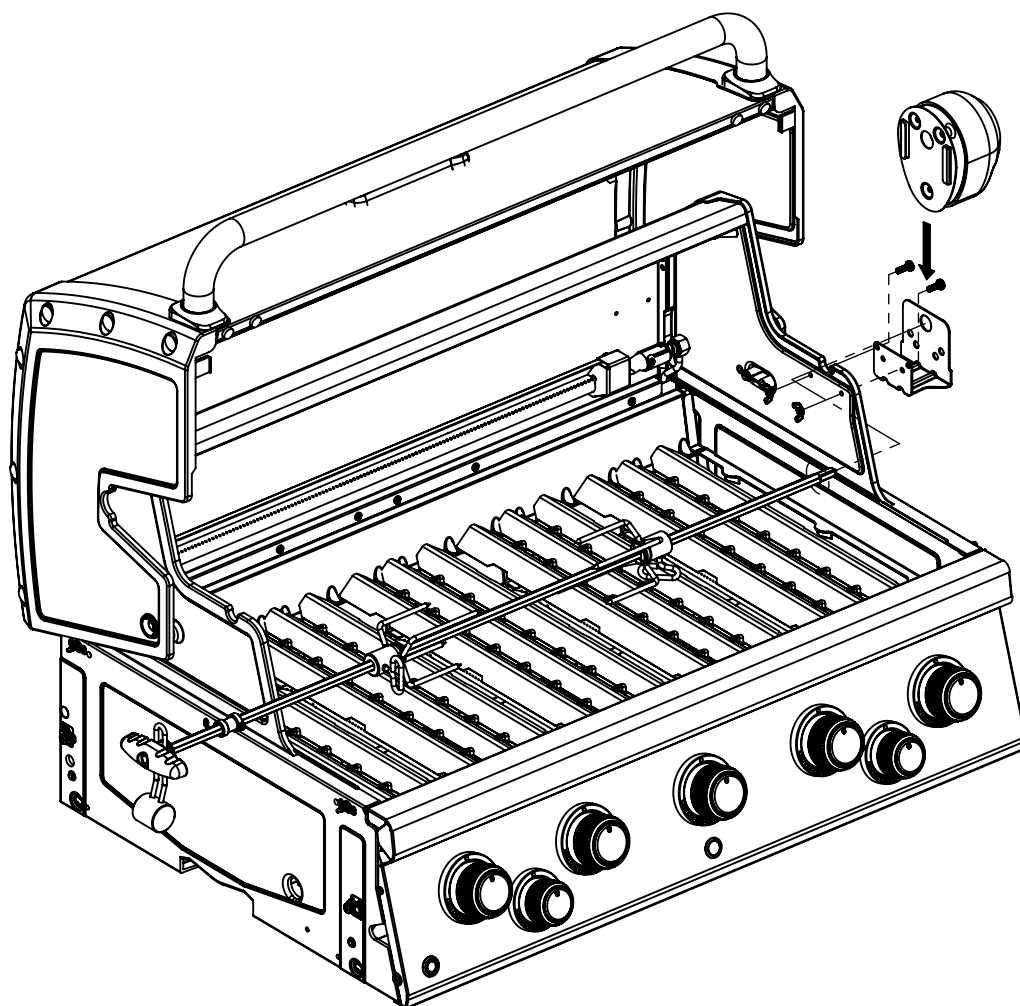
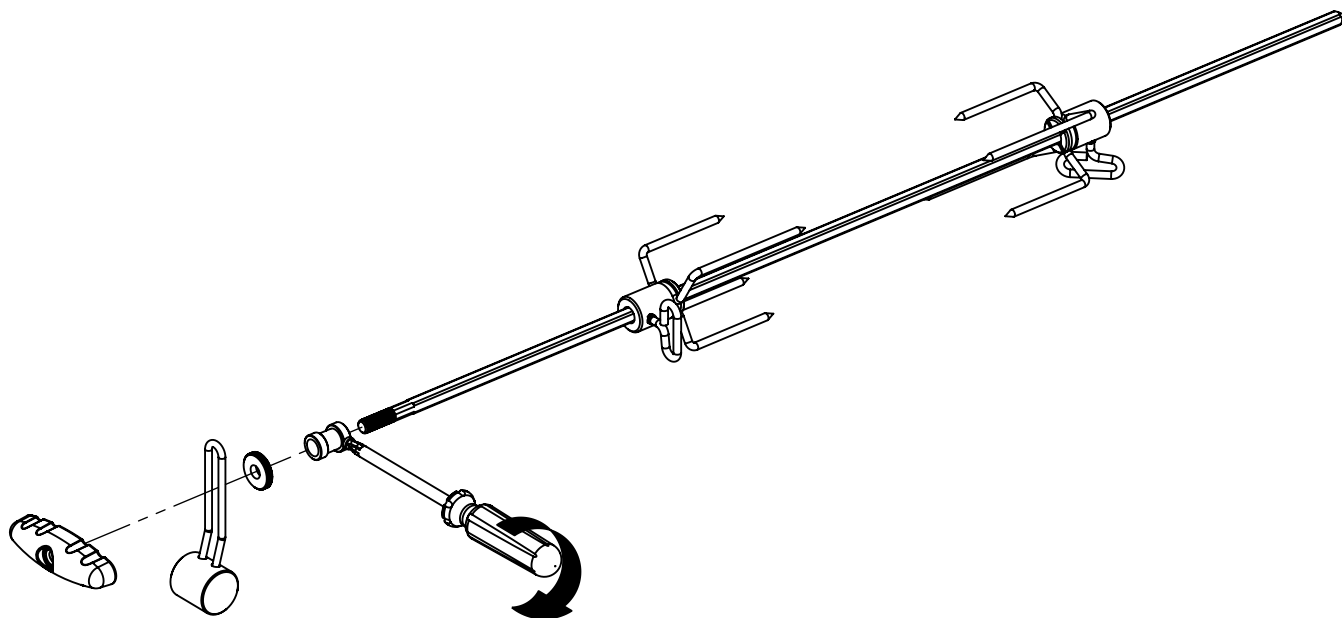


18



19

(2)  (2) 



PARTS LIST / LISTE DES PIECES

<u>KEY #</u>	<u>ITEM #</u>	<u>DESCRIPTION</u>	<u>9582-82</u>	<u>9582-83</u>	<u>9582-83NZ</u>	<u>9583-42</u>	<u>9583-43</u>	<u>9583-82</u>	<u>9583-83</u>
1	87109-931	PANEL - SIDE LEFT	1	1	1	1	1	1	1
2	87109-911	PANEL - SIDE RIGHT	1	1	1	1	1	1	1
3	27206-014	PANEL - FRONT INNER	1	1	1	1	1	1	1
4	27206-924R	PANEL - INNER REAR	1	1	1	1	1	1	1
5	27249-904	GREASE SHIELD	5	5	5	5	5	5	5
6	27006-91	HEAT SHIELD	3	3	3	3	3	3	3
7	Y-11544	BURNER SCREW	5	5	5	5	5	5	5
8	S21242	BURNER CLIP	5	5	5	5	5	5	5
10	82306-021R	PANEL - REAR COOKBOX	1	1	1	1	1	1	1
12	82316-021	PANEL - HOOD	1	1	1	1	1	1	1
17	22005-284	GRID - SS	•	•	•	1	1	•	•
	22005-281	GRID - PORCELAIN	5	5	5	•	•	5	5
18	22022-284	GRID - SS	•	•	•	2	2	•	•
20	22006-991	GRID - WARMING RACK	1	1	1	1	1	1	1
22	22226-014	COLLECTOR BOX - FRONT LOWER	1	1	1	1	1	1	1
24	22216-014	COLLECTOR BOX - FRONT UPPER	1	1	1	1	1	1	1
25	22909-104D	BURNER	5	•	•	5	•	5	•
	22909-104E	BURNER	•	5	5	•	5	•	5
26	22001-769	CONTROL KNOB	5	5	5	5	5	5	5
26A	22001-669	CONTROL KNOB	2	2	2	2	2	2	2
27	22002-264	CONTROL BEZEL	5	5	5	5	5	5	5
27A	22001-164	CONTROL BEZEL	2	2	2	2	2	2	2
28	22006-884	CONTROL COVER	1	1	1	1	1	1	1
32	10111-15A	HOSE	1	1	1	1	1	1	1
34	S13473-073	HOSE-SIDE BURNER	1	•	•	1	•	1	•
	S13473-079	HOSE-SIDE BURNER	•	1	•	•	1	•	1
	S13473-091	HOSE-SIDE BURNER	•	•	1	•	•	•	•
34A	Y-11230	SIDE BURNER HOSE CLIP	1	1	1	1	1	1	1
35	29006-072	CONTROL ASSEMBLY	1	•	•	1	•	1	•
	29006-074	CONTROL ASSEMBLY	•	•	1	•	•	•	•
	29006-075	CONTROL ASSEMBLY	•	1	•	•	1	•	1
36	10342-T21	ELECTRODE – SIDE BURNER	1	1	1	1	1	1	1
37	20809-957	TUBE-REAR BURNER ASSY	1	1	1	1	1	1	1
38	Y-11990	HEX NUT	1	1	1	1	1	1	1
43	10342-E13	ELECTRODE	3	3	3	3	3	3	3
44	10342-45	ELECTRONIC IGNITOR	1	1	1	1	1	1	1
44A	25070-92	WIRE - IGNITOR	1	1	1	1	1	1	1
44B	25070-93	BUTTON - IGNITOR	1	1	1	1	1	1	1
47	21036-991	GREASE RAIL	2	2	2	2	2	2	2
48	22009-901	GREASE PAN	1	1	1	1	1	1	1
49	27056-901	GREASE TRAY	1	1	1	1	1	1	1
51	22209-904	FLAV-R-WAVE ®	5	5	5	5	5	5	5

PARTS LIST / LISTE DES PIECES

<u>KEY #</u>	<u>ITEM #</u>	<u>DESCRIPTION</u>	<u>9582-82</u>	<u>9582-83</u>	<u>9582-83NZ</u>	<u>9583-42</u>	<u>9583-43</u>	<u>9583-82</u>	<u>9583-83</u>
52	86101-631	SIDE PANEL - CRESENT LEFT	1	1	1	1	1	1	1
53	86101-611	SIDE PANEL - CRESENT RIGHT	1	1	1	1	1	1	1
54	86306-611	LID - OUTER PANEL	1	1	1	•	•	•	•
	86306-614	LID - OUTER PANEL	•	•	•	1	1	1	1
55	86206-61	LID - INNER PANEL	1	1	1	1	1	1	1
56	24006-12A	HANDLE	1	1	1	1	1	1	1
57	54009-936	HANDLE - BEZEL	2	2	2	2	2	2	2
59	10081-BK630	NAMEPLATE	1	1	1	1	1	1	1
60	10571-6	HEAT INDICATOR	1	1	1	1	1	1	1
65	20005-000	MATCH LIGHT - STICK	1	1	1	1	1	1	1
68	21276-311A	DOOR	1	1	1	•	•	•	•
	21276-214A	DOOR	•	•	•	1	1	1	1
69	21276-331A	DOOR	1	1	1	•	•	•	•
	21276-234A	DOOR	•	•	•	1	1	1	1
70	21106-13	HANDLE	2	2	2	2	2	2	2
71	21070-13	HANDLE BEZEL	4	4	4	4	4	4	4
78	21336-111	BRACKET - DOOR CATCH	1	1	1	1	1	1	1
80	21109-905R	SIDE PANEL	2	2	2	2	2	2	2
88	21306-925R	PANEL - REAR	1	1	1	1	1	1	1
90	51096-935	BASE	1	1	1	1	1	1	1
100	21039-911	BRACKET – CASTOR SUPPORT	2	2	2	2	2	2	2
101	21039-301	LOWER TANK SUPPORT	1	1	1	1	1	1	1
102	10892-23	CASTOR	2	2	2	2	2	2	2
102A	10892-285	CASTOR	2	2	2	2	2	2	2
110	23030-631	SHELF BRACKET	2	2	2	2	2	2	2
111	23030-611	SHELF BRACKET	2	2	2	2	2	2	2
114	23101-614	SHELF	1	1	1	1	1	1	1
115	23100-654	SHELF	1	1	1	1	1	1	1
116	23401-631	SHELF FRONT	1	1	1	1	1	1	1
116A	23401-611	SHELF FRONT	1	1	1	1	1	1	1
117	23009-608	HANDLE	2	2	2	2	2	2	2
124	23000-271	SHELF-SIDE BURNER	1	1	1	1	1	1	1
123	Y-12117	BUSHING	2	2	2	2	2	2	2
125	23000-254	COVER-SIDE BURNER	1	1	1	1	1	1	1
126	10390-R81D	SIDE BURNER	1	•	•	1	•	1	•
	10390-R81E	SIDE BURNER	•	1	1	•	1	•	1
128	23009-98	GRID	1	1	1	1	1	1	1
130	27906-354E	BURNER ROTISSERIE	1	1	1	1	1	1	1
131	10693-099	REAR BURNER-ORIFICE	1	•	•	1	•	1	•
	10693-102	REAR BURNER-ORIFICE	•	1	•	•	1	•	1
	10693-109	REAR BURNER-ORIFICE	•	•	1	•	•	•	•
133	S15271	HANDLE	1	1	1	1	1	1	1

PARTS LIST / LISTE DES PIECES

<u>KEY #</u>	<u>ITEM #</u>	<u>DESCRIPTION</u>	<u>9582-82</u>	<u>9582-83</u>	<u>9582-83NZ</u>	<u>9583-42</u>	<u>9583-43</u>	<u>9583-82</u>	<u>9583-83</u>
134	S15270	BALANCER	1	1	1	1	1	1	1
135	S15299	WASHER	1	1	1	1	1	1	1
136	S15263	BUSHING	1	1	1	1	1	1	1
137	S15259	SPIT ROD	1	1	1	1	1	1	1
138	S15287	4 PRONG FORKS	1	1	1	1	1	1	1
139	57039-901	ROTISSERIE BRACKET	1	1	1	1	1	1	1
140	S21125	SCREW #8 X 1/2	29	29	29	29	29	29	29
141	Y-12860	BOLT	2	2	2	2	2	2	2
143	Y-12855	BOLT 1/4-20 X 3/8	24	24	24	24	24	24	24
144	Y-12220	BUSHING	1	1	1	1	1	1	1
145	S21235	HINGE PIN	2	2	2	2	2	2	2
146	S21233	HITCH PIN CLIP	2	2	2	2	2	2	2
147	Y-11231	LID BUMPER	2	2	2	2	2	2	2
148	10240-20	DOOR PIN	2	2	2	2	2	2	2
149	10240-19	DOOR PIN	2	2	2	2	2	2	2
150	Y-12124	DOOR PIN CAP	2	2	2	2	2	2	2
151	Y-12857	WASHER	4	4	4	4	4	4	4
152	Y-12222	MAGNET	2	2	2	2	2	2	2
153	Y-12223	SNAP IN MAGNET	2	2	2	2	2	2	2
154	Y-11560	SCREW 1/4-20 X 1-1/2	8	8	8	8	8	8	8
155	S21124	SCREW #8 X 1/2	20	20	20	20	20	20	20
156	Y-11793	NUT 1/4-20	28	28	28	28	28	28	28
157	Y-12835	SCREW #6-32 X 1/4	2	2	2	2	2	2	2
158	Y-12646	SCREW - SHOULDER #8 X 1/2	2	2	2	2	2	2	2
159	S21136	SCREW #8-32 X 3/8	14	14	14	14	14	14	14
160	Y-29304	BOLT #10-24 X 3/8	32	32	32	32	32	32	32
162	Y-12310	SCREW 1/4-20 X 3/4	4	4	4	4	4	4	4
163	S35094	SCREW #10-24 X 5/8	1	1	1	1	1	1	1
165	Y-12127	DOOR CLIP	2	2	2	2	2	2	2
166	Y-11981	BOLT 1/4-20 X 3/4	16	16	16	16	16	16	16
169	S21061	WING NUT	2	2	2	2	2	2	2
171	S15245	MOTOR	1	1	1	1	1	1	1
173	S21362	SPRING	1	1	1	1	1	1	1
180	S35095	SCREW #10-24 X 5/8	2	2	2	2	2	2	2
181	25030-73	WIRE - TRANSFORMER	1	1	1	1	1	1	1
181A	25070-95	LIGHT SWITCH	1	1	1	1	1	1	1
184	25080-80	BATTERY PACK	1	1	1	1	1	1	1
186	Y-12865	SCREW 1/4-20 X 1/2	36	36	36	36	36	36	36
190	25020-83	WIRE - LED LIGHT	1	1	1	1	1	1	1
191	25020-84	WIRE - LED LIGHT	1	1	1	1	1	1	1
193	Y-11235	LID BUMPER	4	4	4	4	4	4	4
194	S15508	ELECTRODE	1	1	1	1	1	1	1

