

Broil King®

Broil King

REGAL 590
9982-82
9982-83



Broil King

REGAL S 590
9983-42
9983-43
9983-46
9983-82
9983-83
9983-86



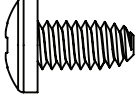
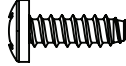

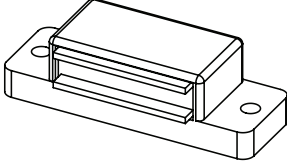
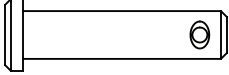
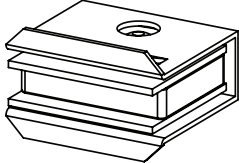
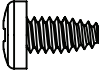
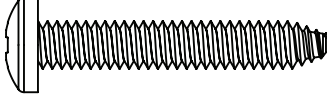
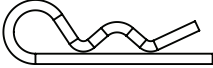
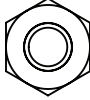
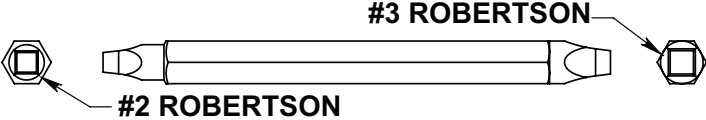
Onward
MANUFACTURING COMPANY
585 KUMPF DRIVE
WATERLOO, ONTARIO, CANADA
N2V 1K3

SINCE 1906

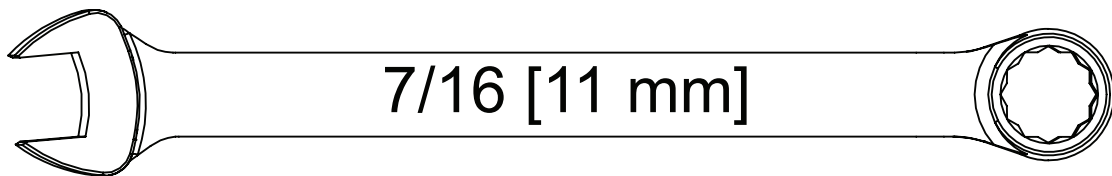
LIMITED

20084-E78EU REV R 01/21

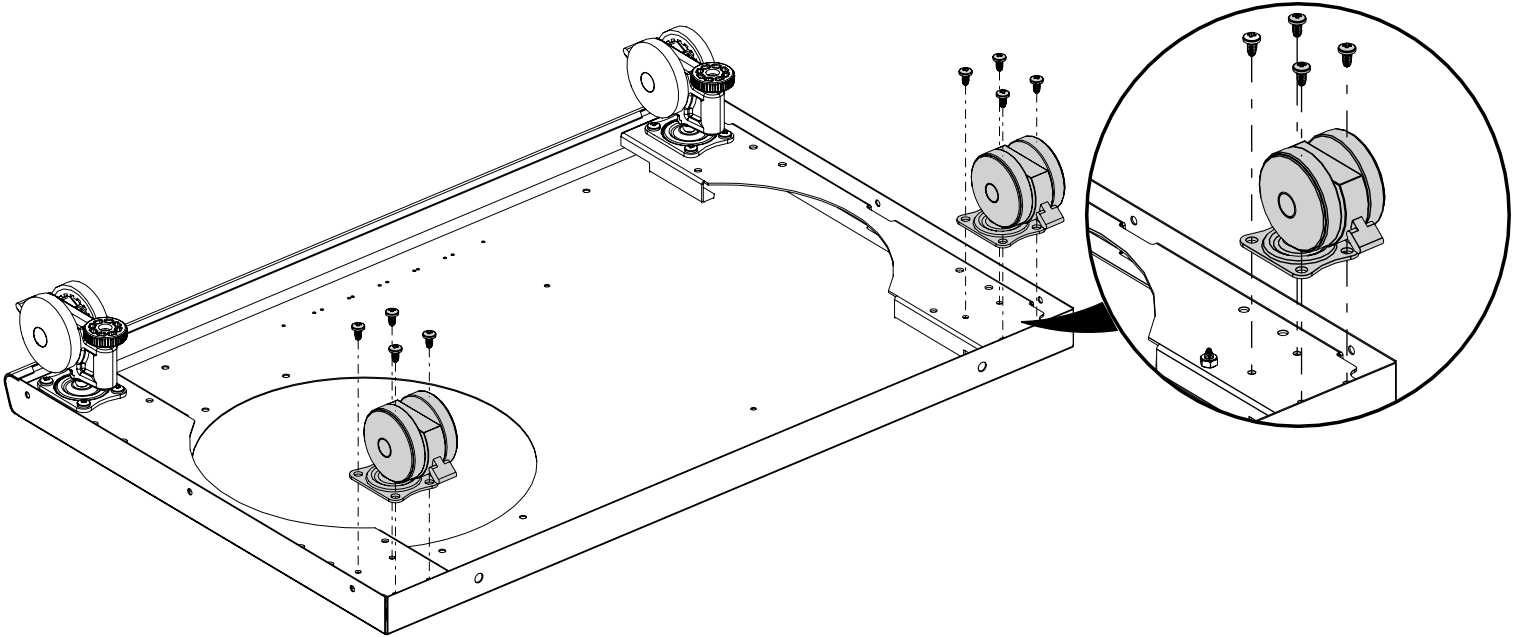
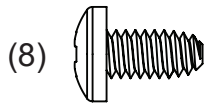
HARDWARE INCLUDED

Y-12865		(26)	S21124		(8)
S21125		(4)	Y-12222		(2)
S21235		(2)	Y-12223		(2)
Y-29304		(6)	Y-11560		(4)
S21233		(2)	Y-11793		(8)
 <p>#3 ROBERTSON</p> <p>#2 ROBERTSON</p>					

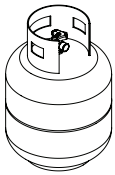
TOOLS REQUIRED



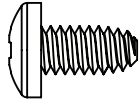
1



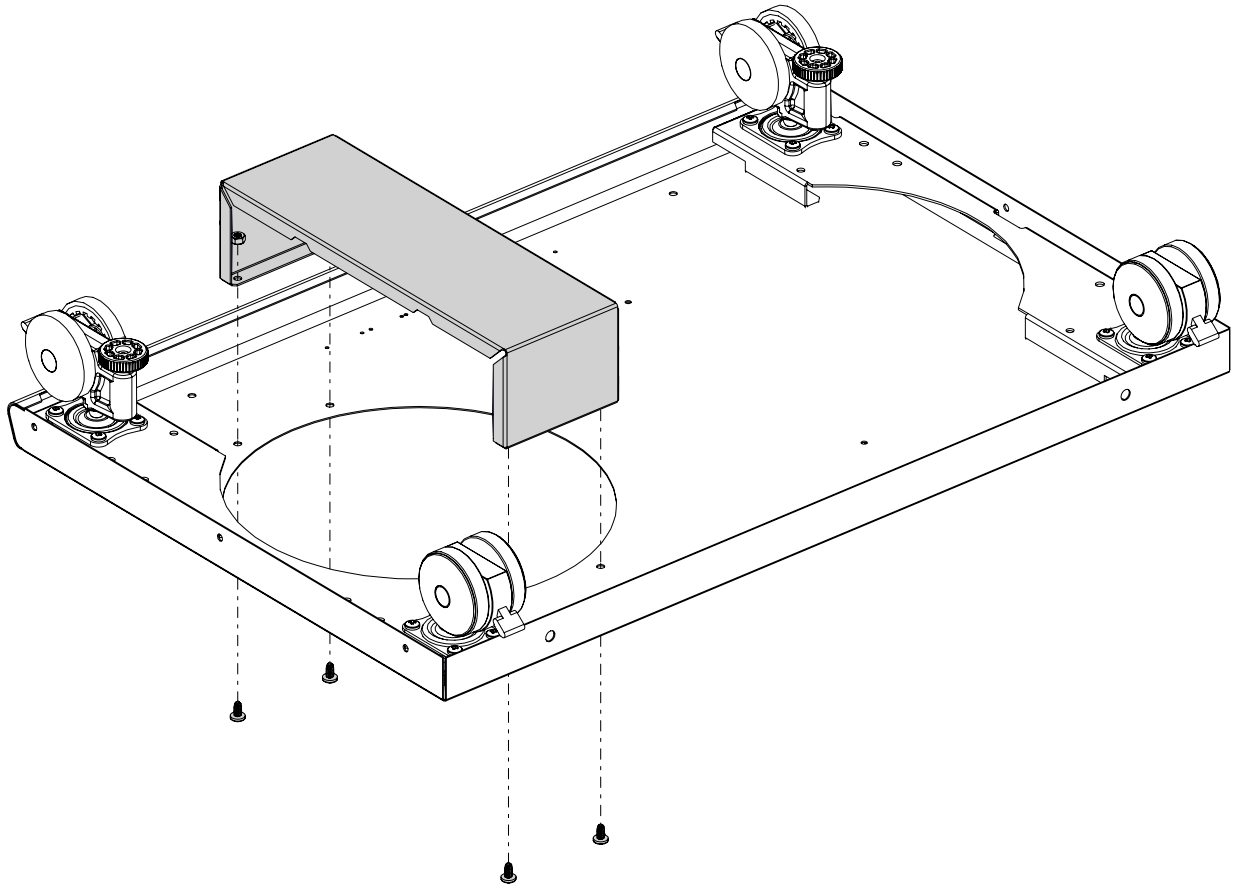
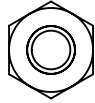
2




(4)



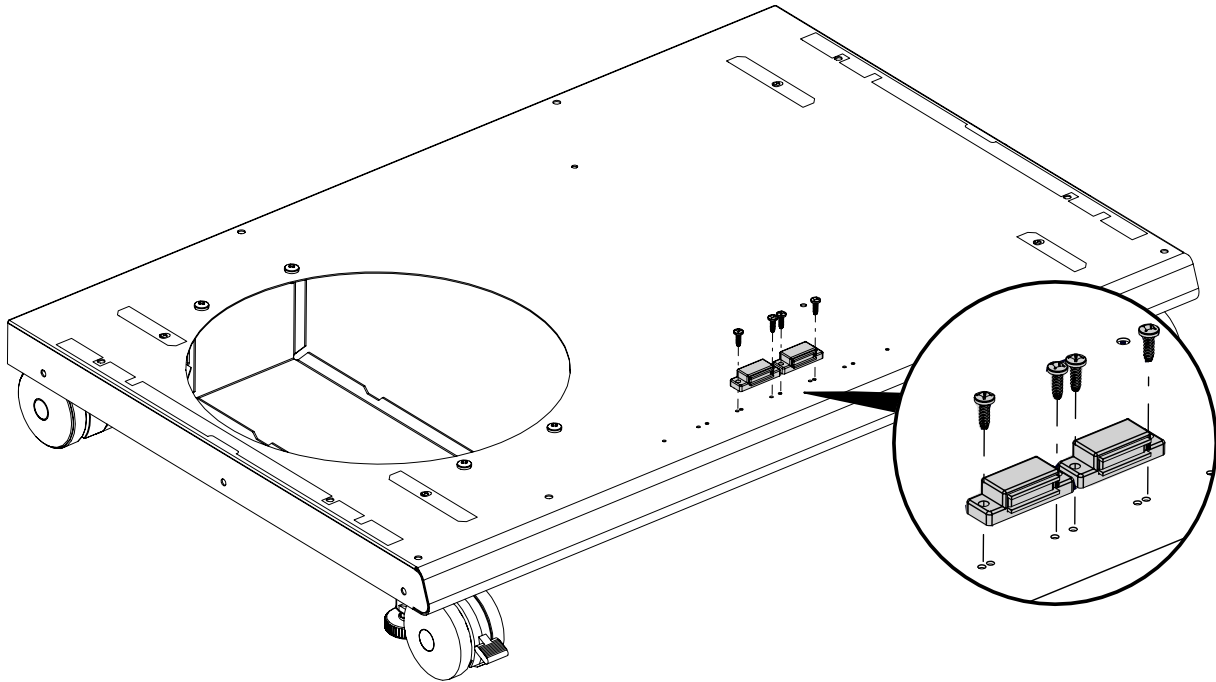
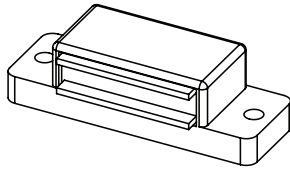
(4)



3

(4) 

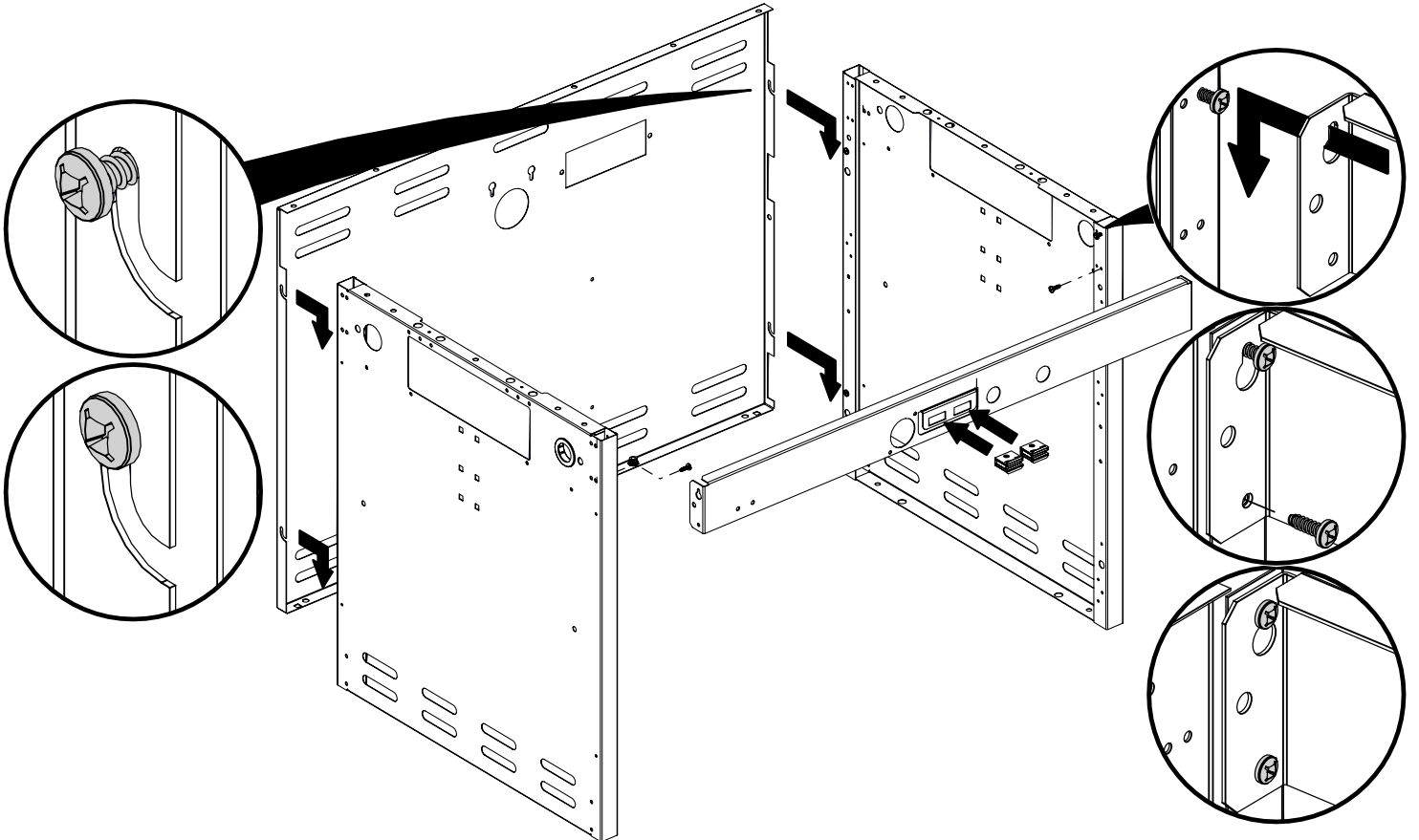
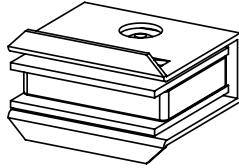
(2)



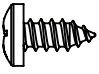
4

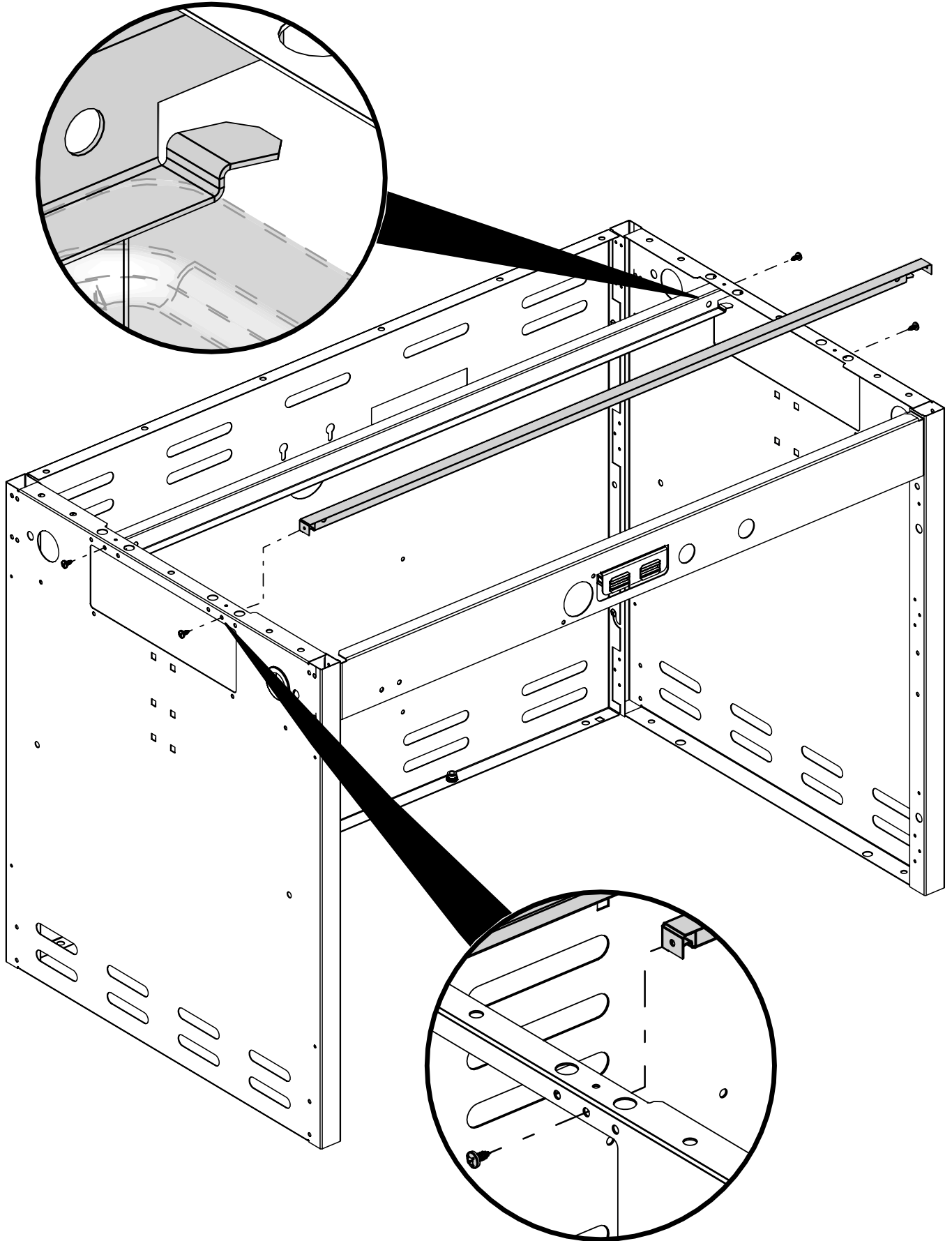
(2) 

(2)



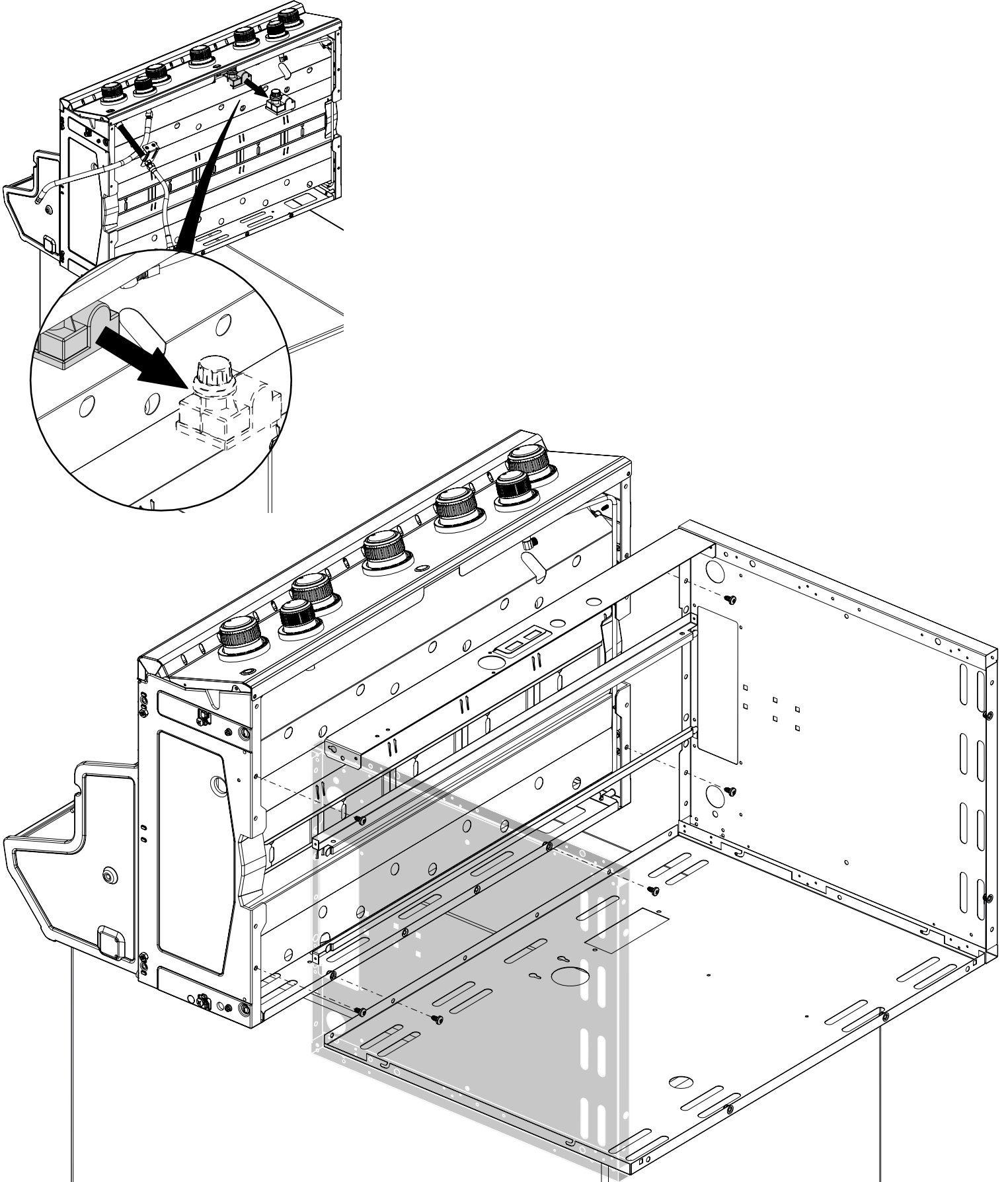
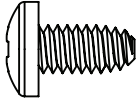
5

(4) 

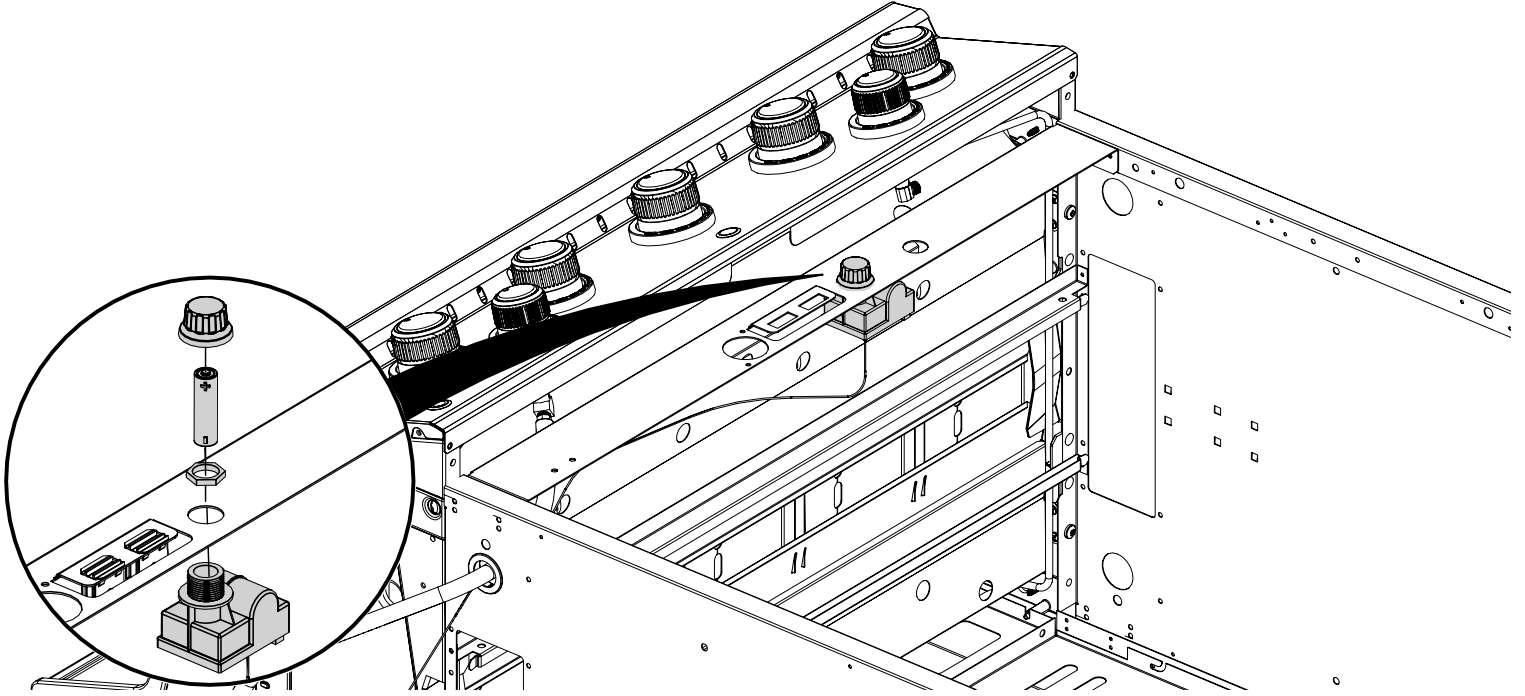


6

(6)

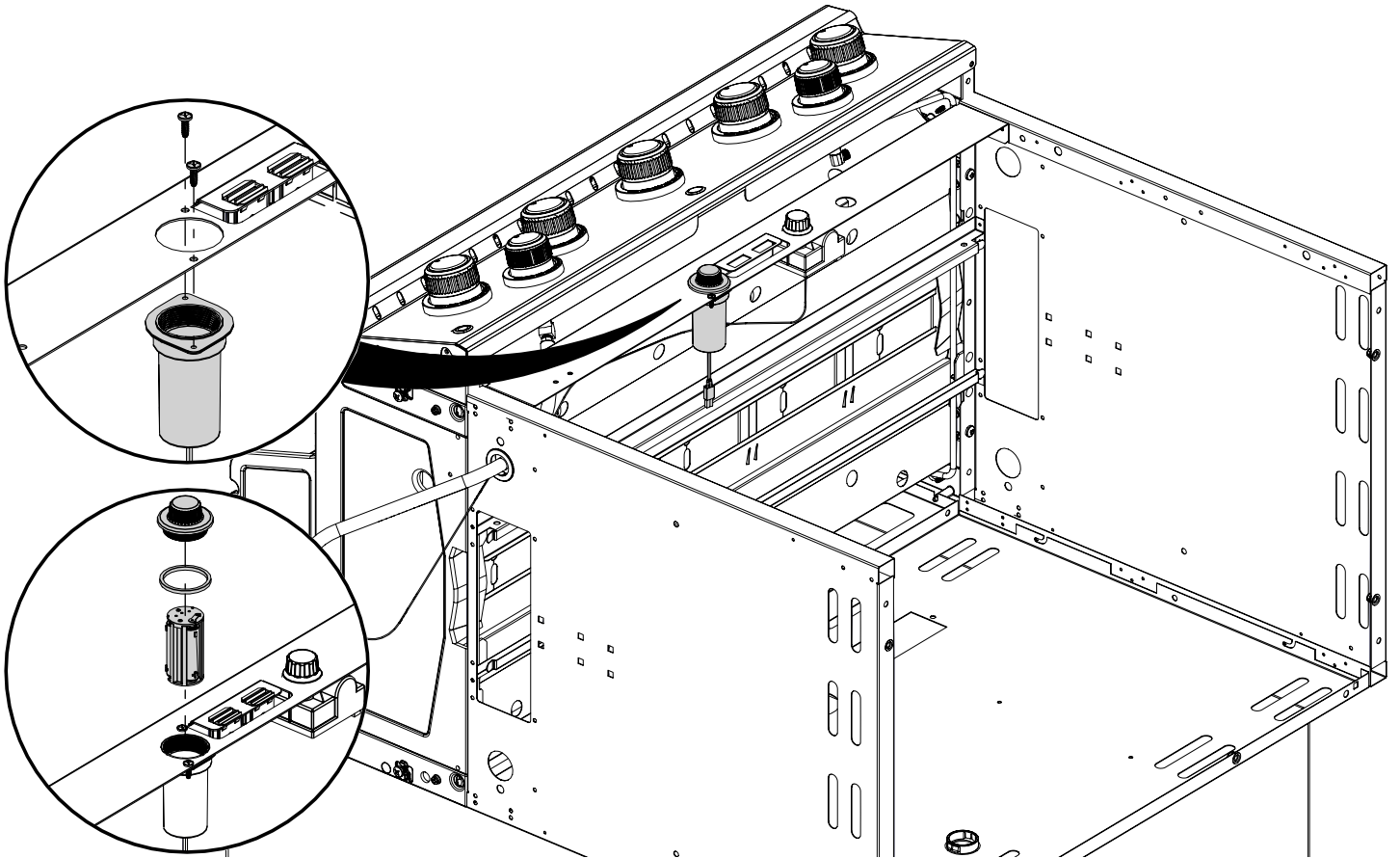


7

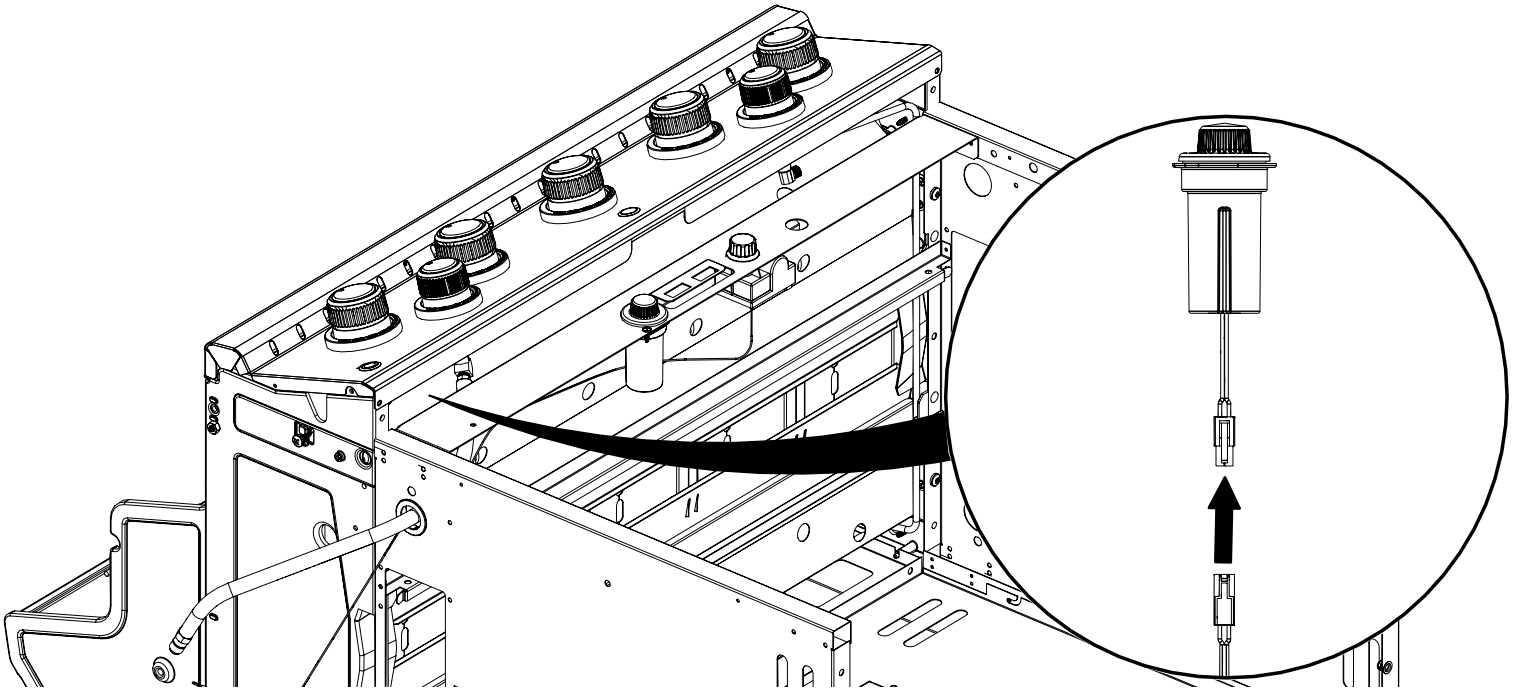


8

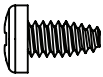
(2) 

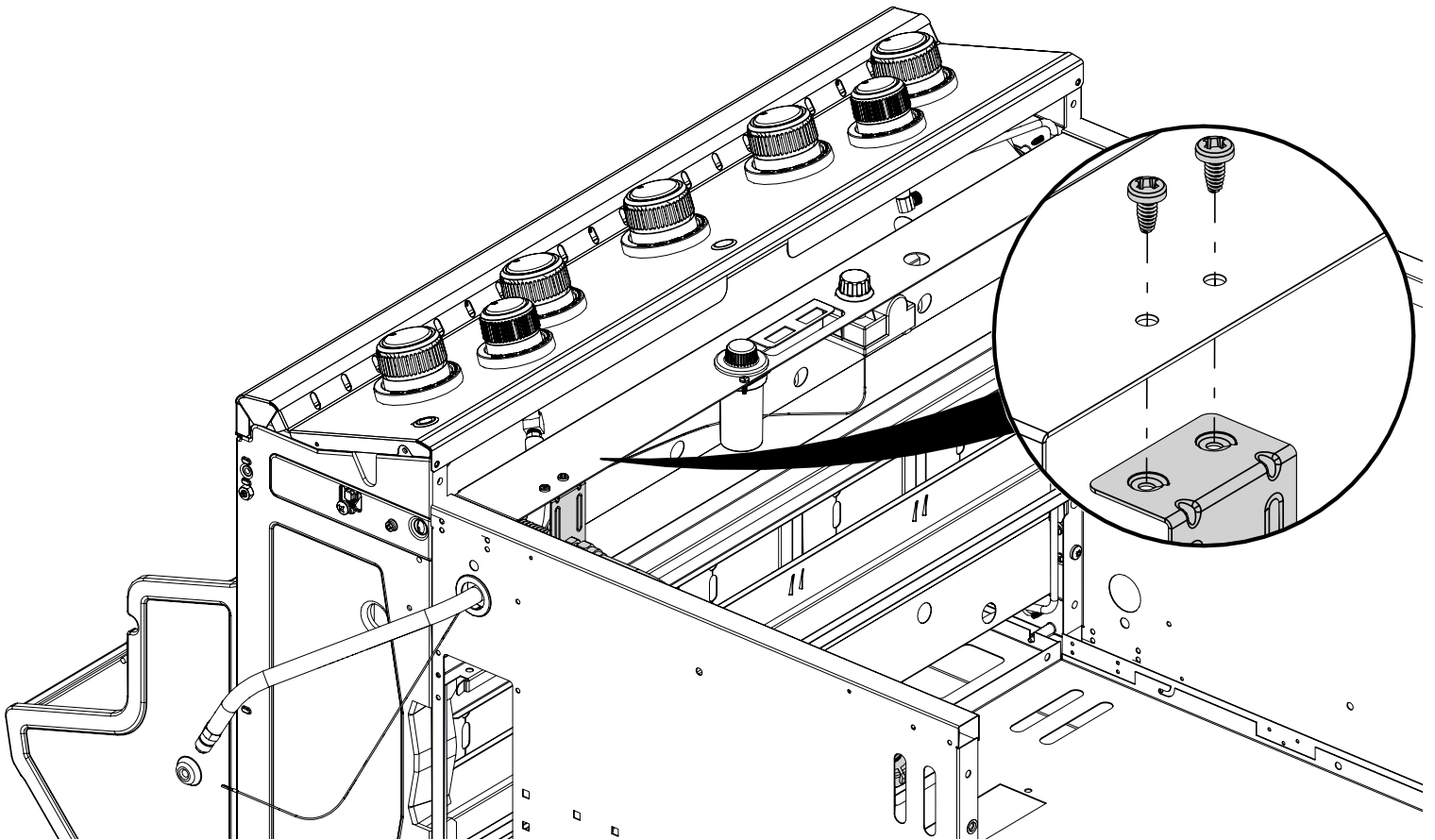


9

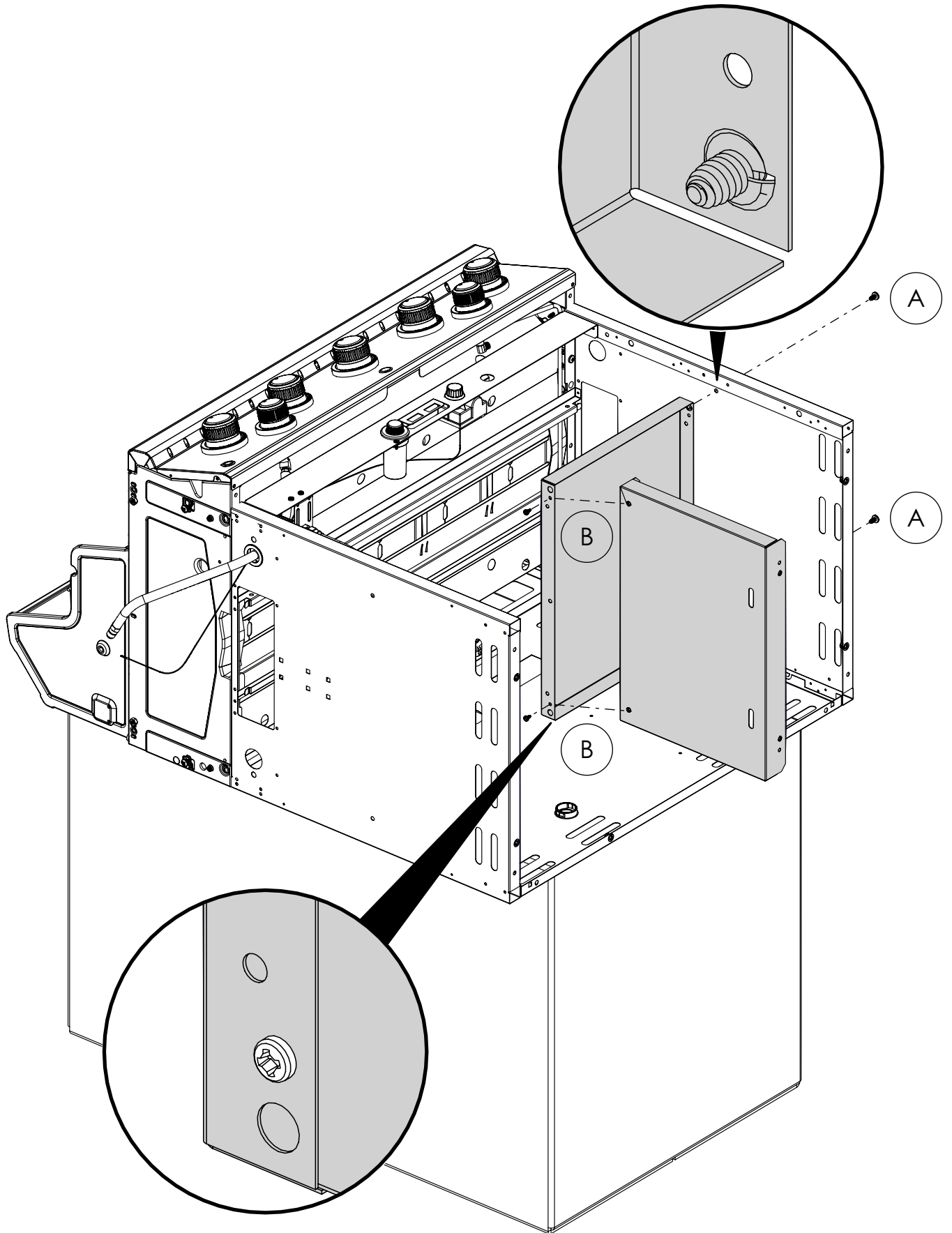
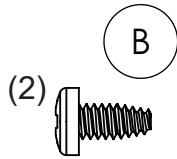
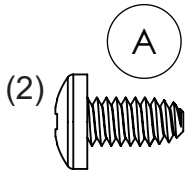


10

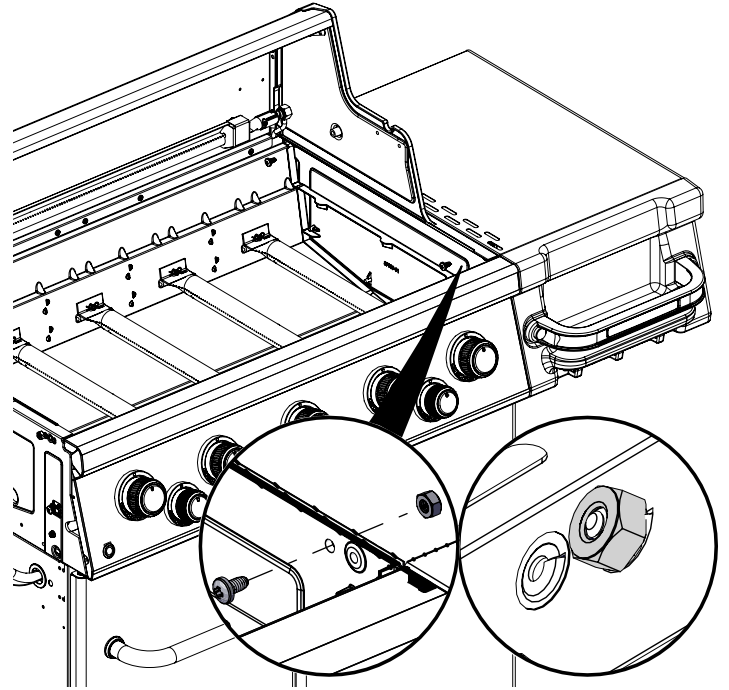
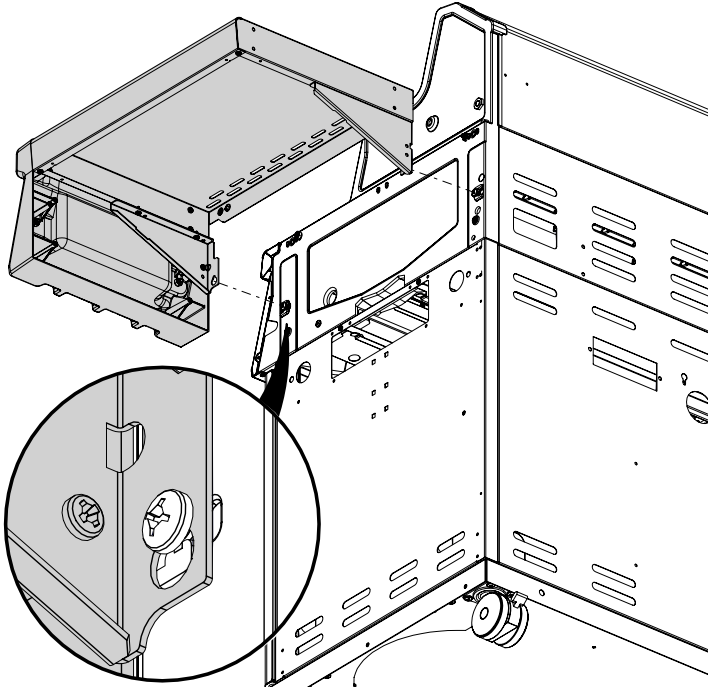
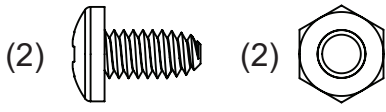
(2) 



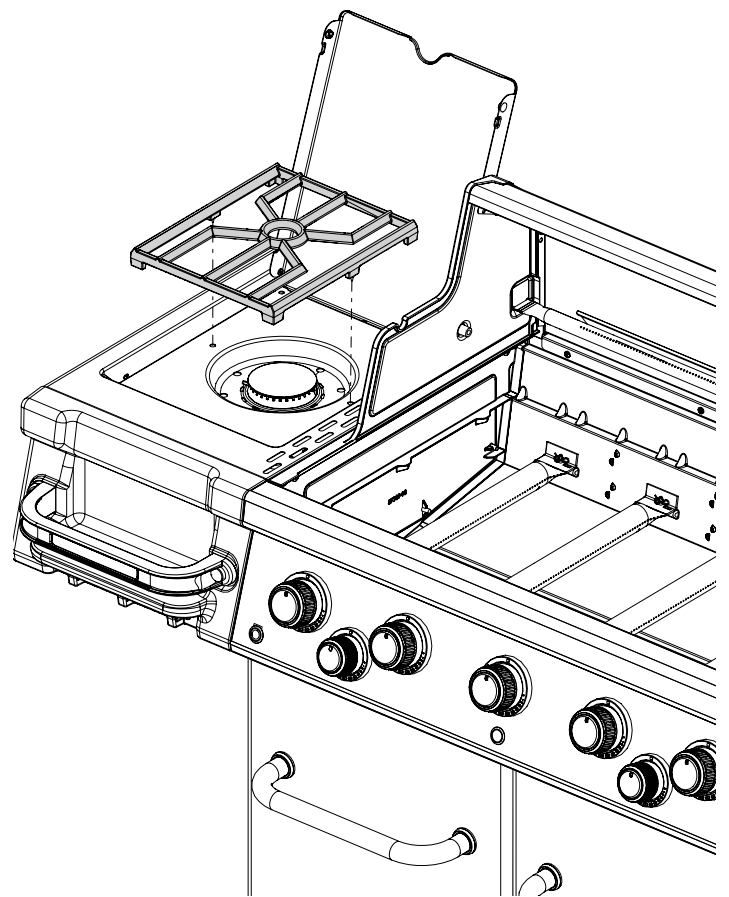
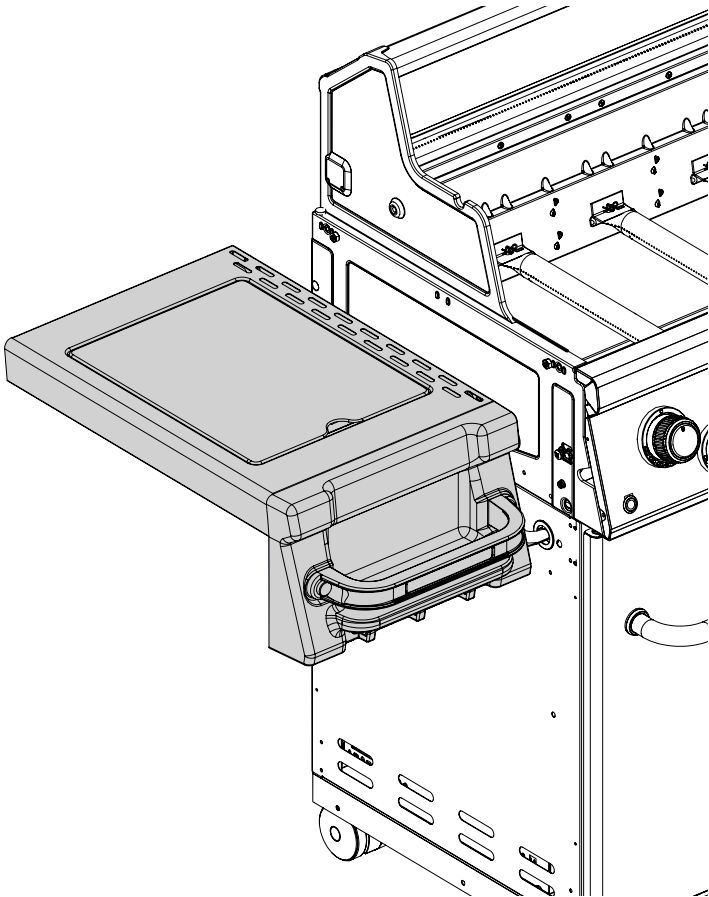
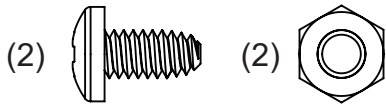
11



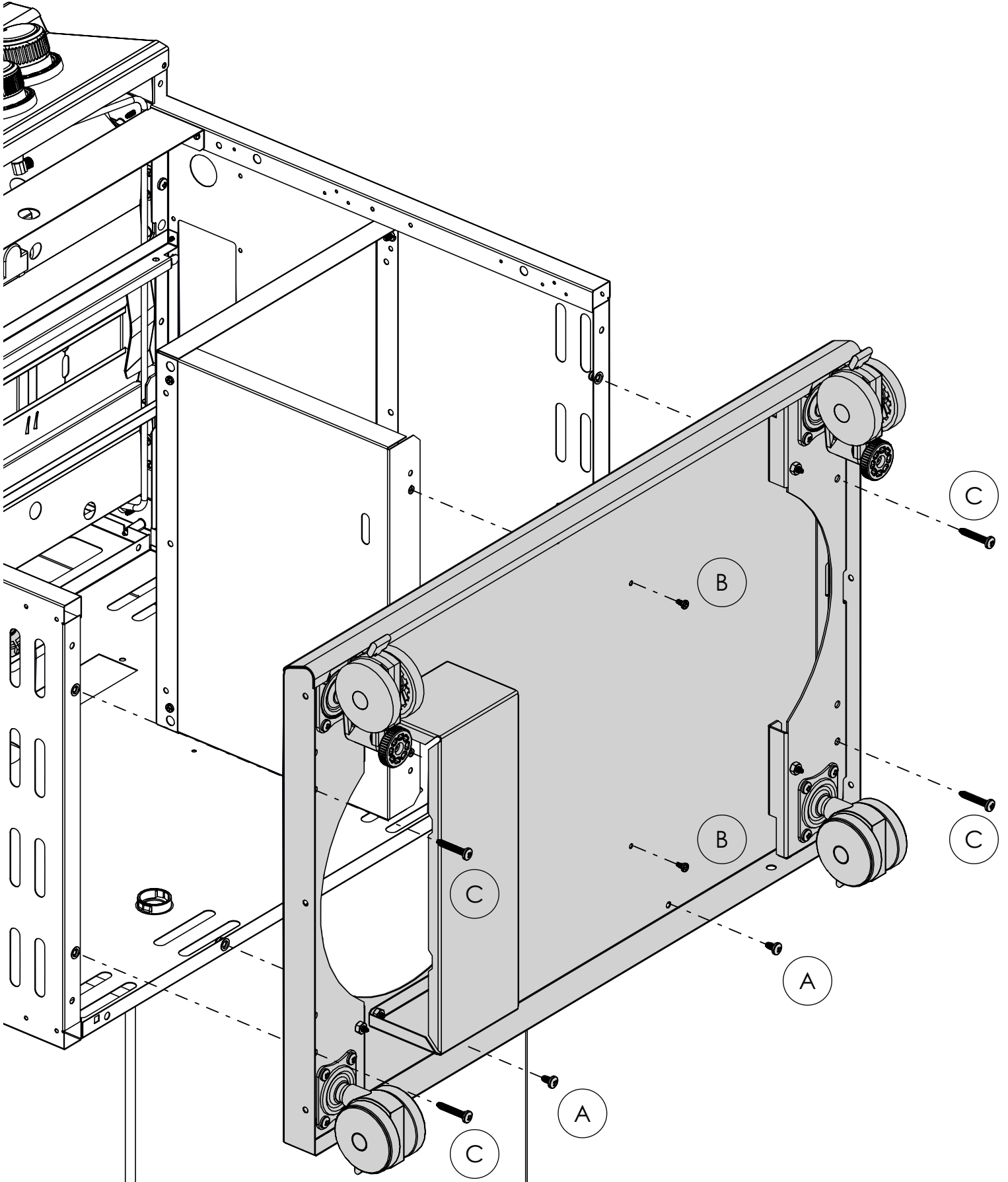
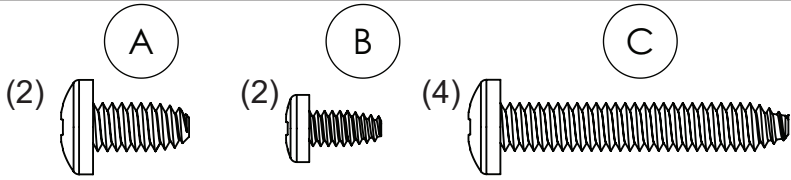
16



17

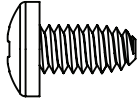


12

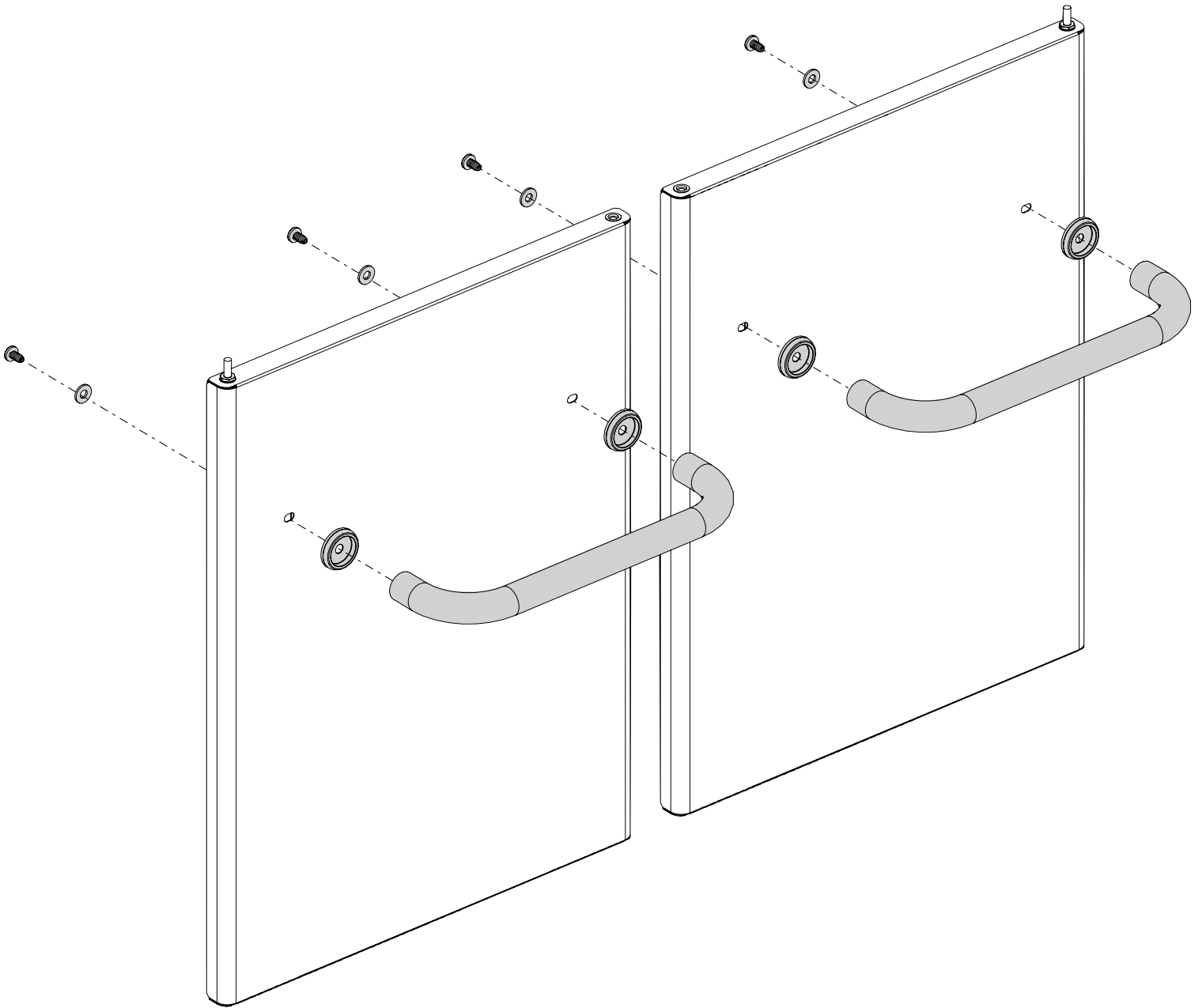
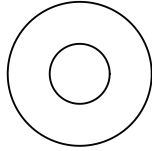


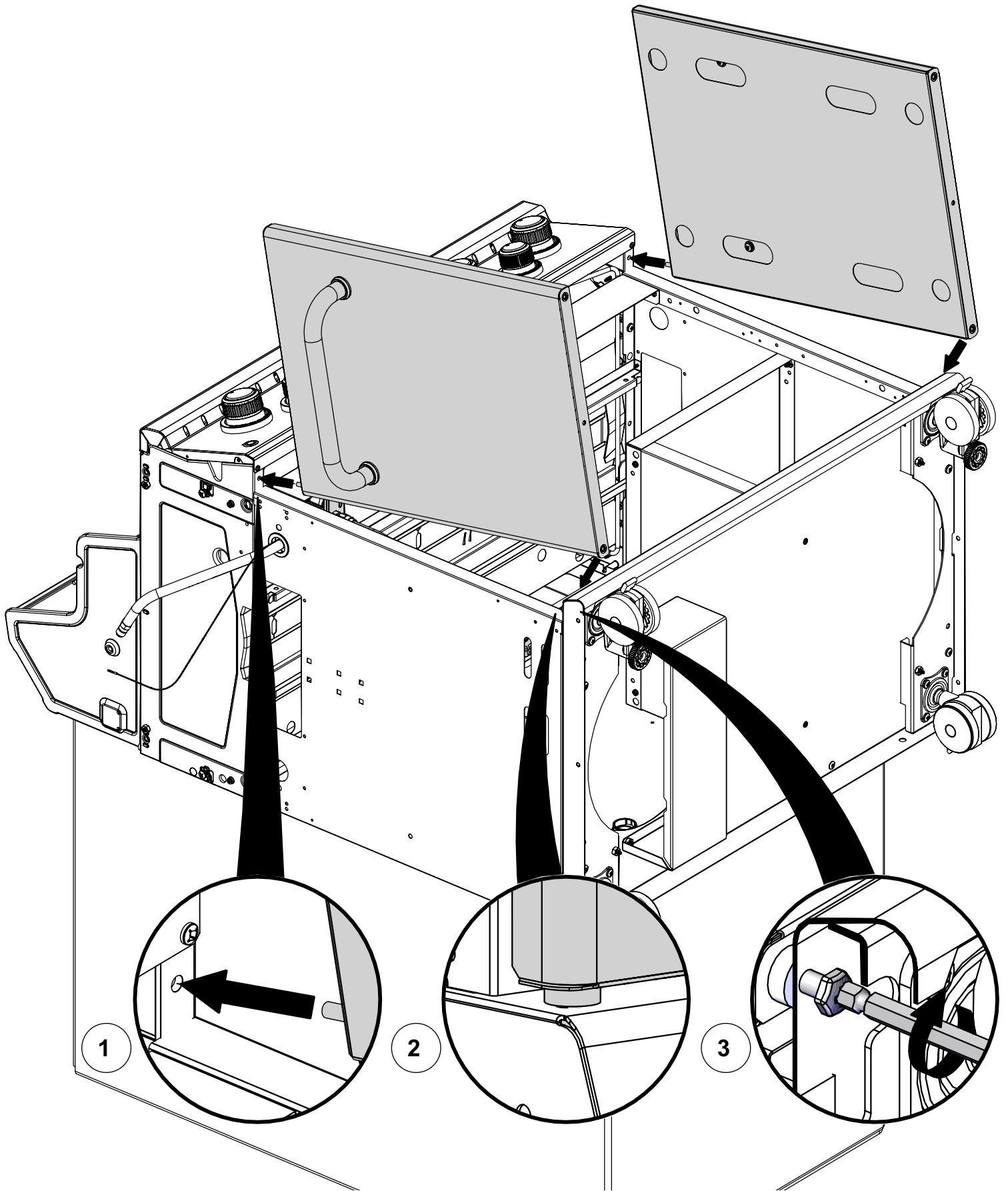
13

(4)

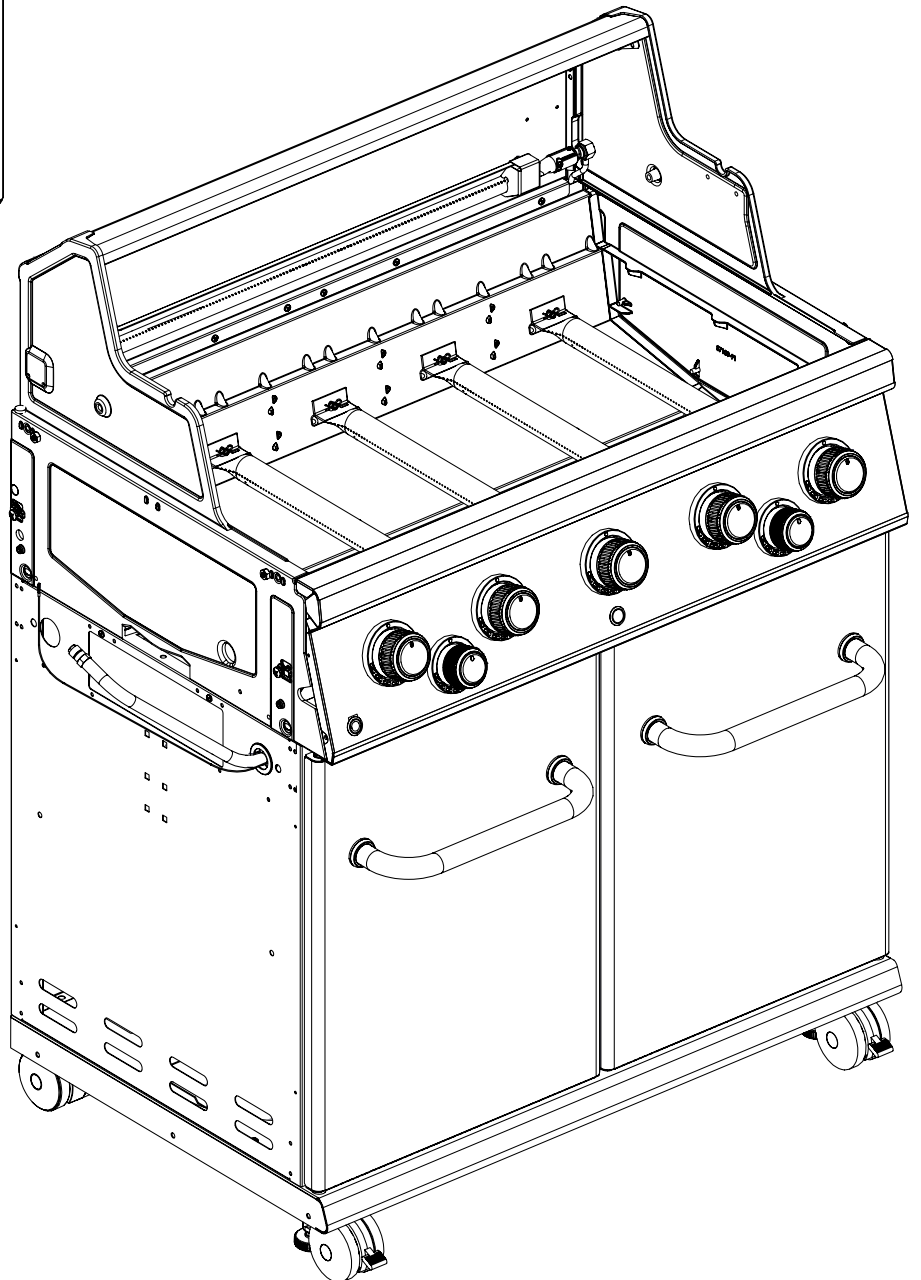
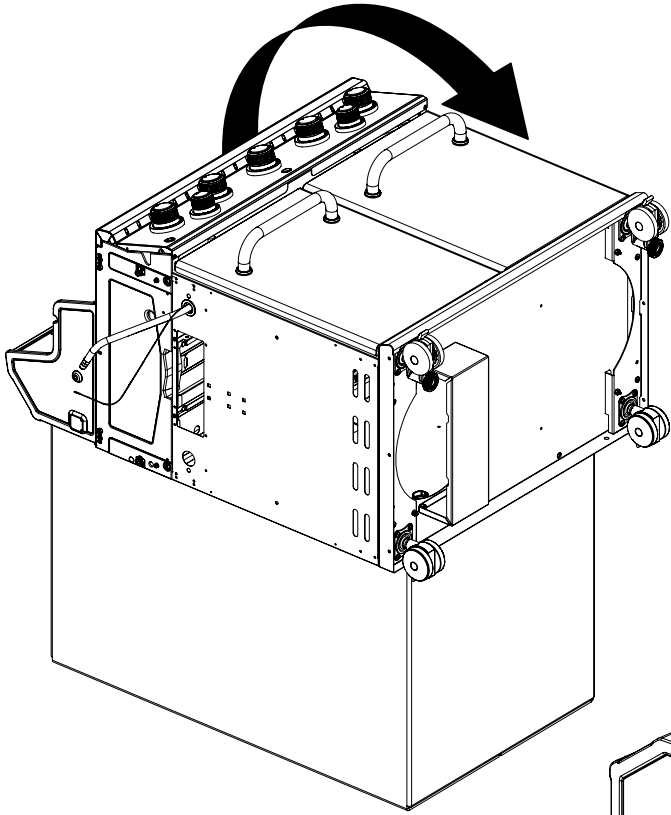
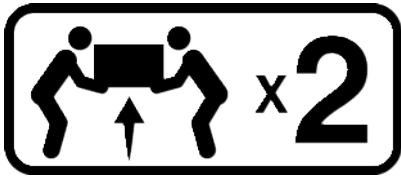


(4)



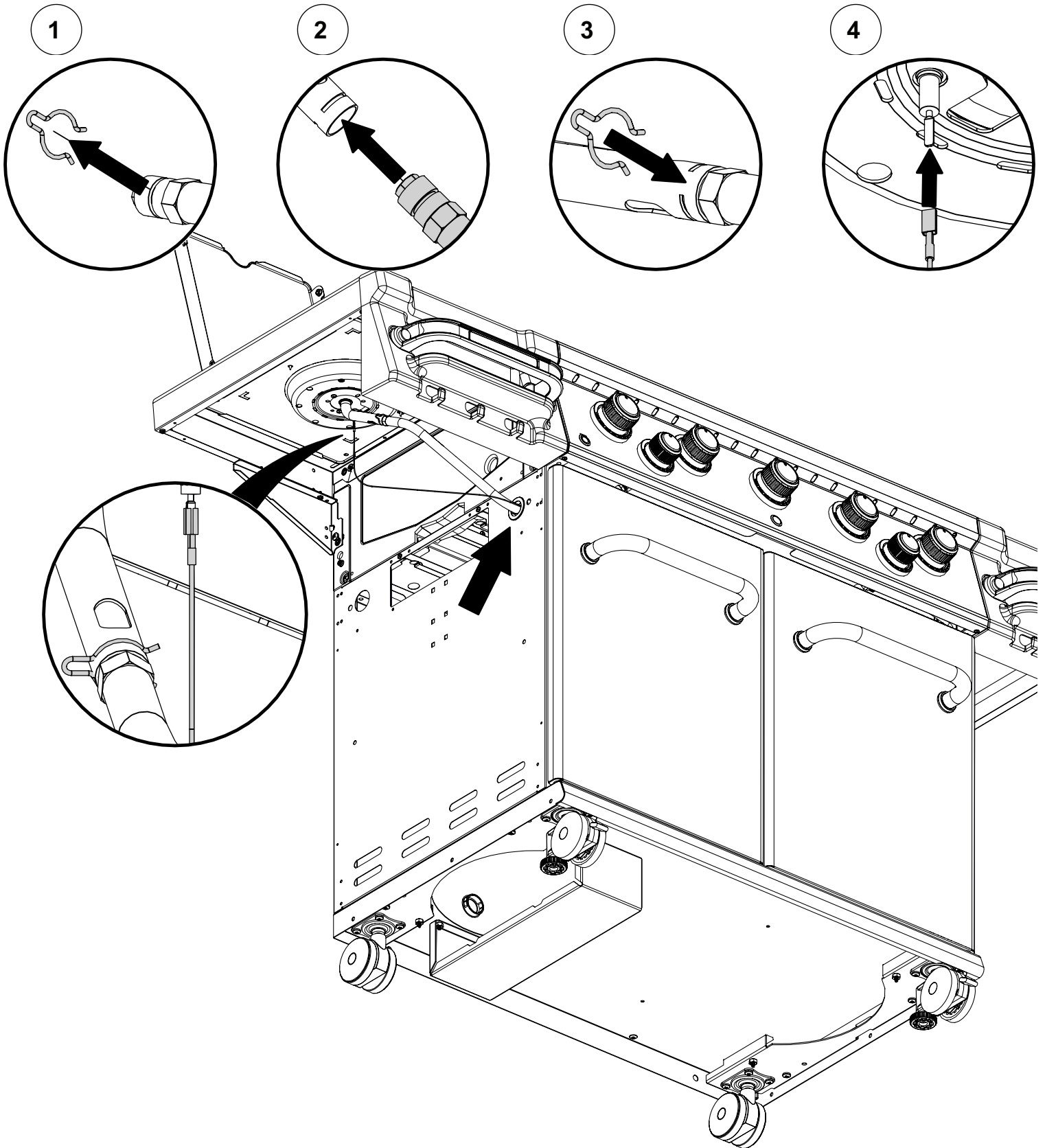
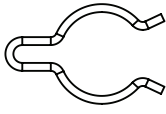


15

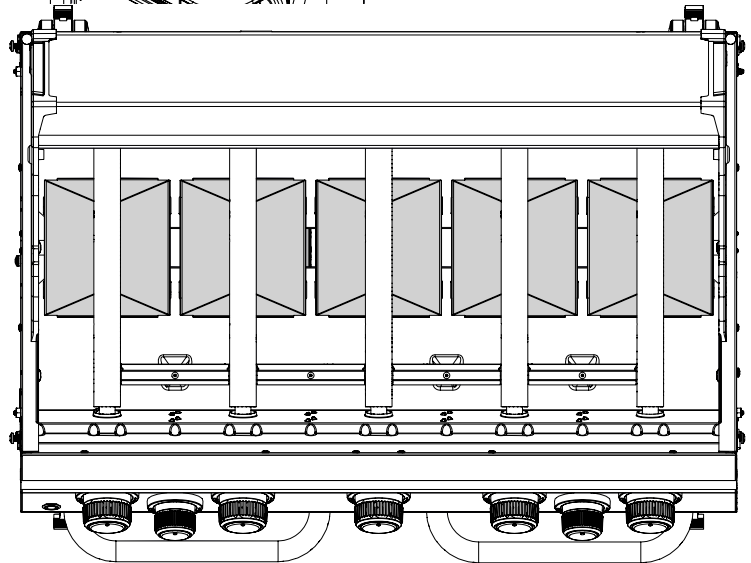
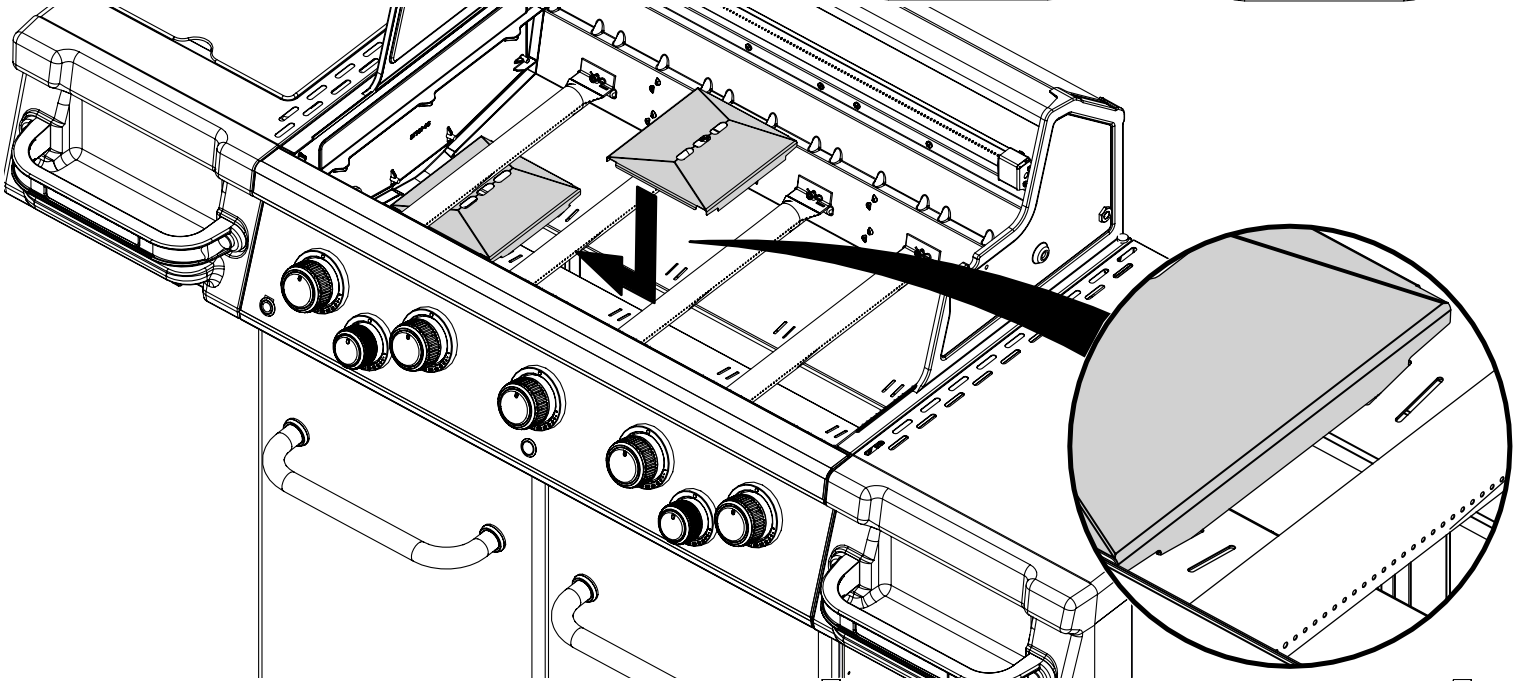
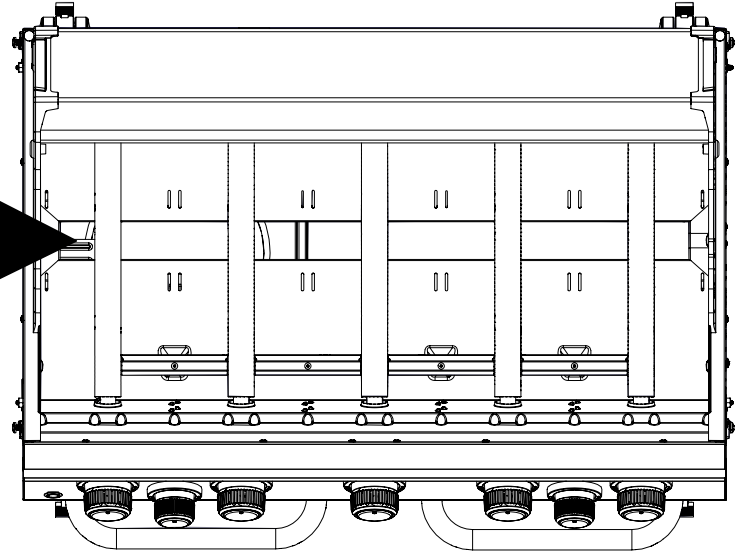
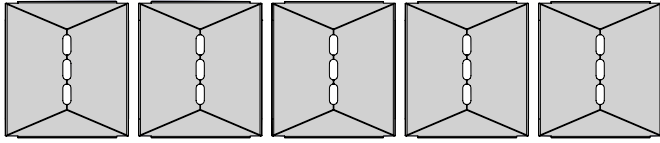


18

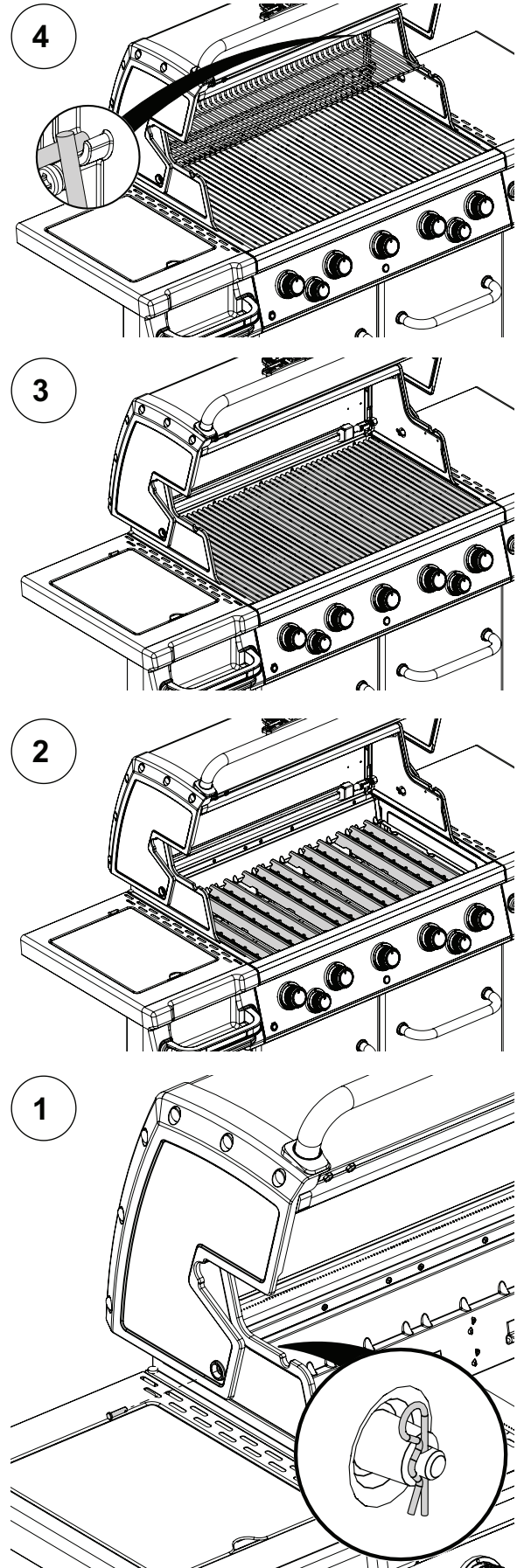
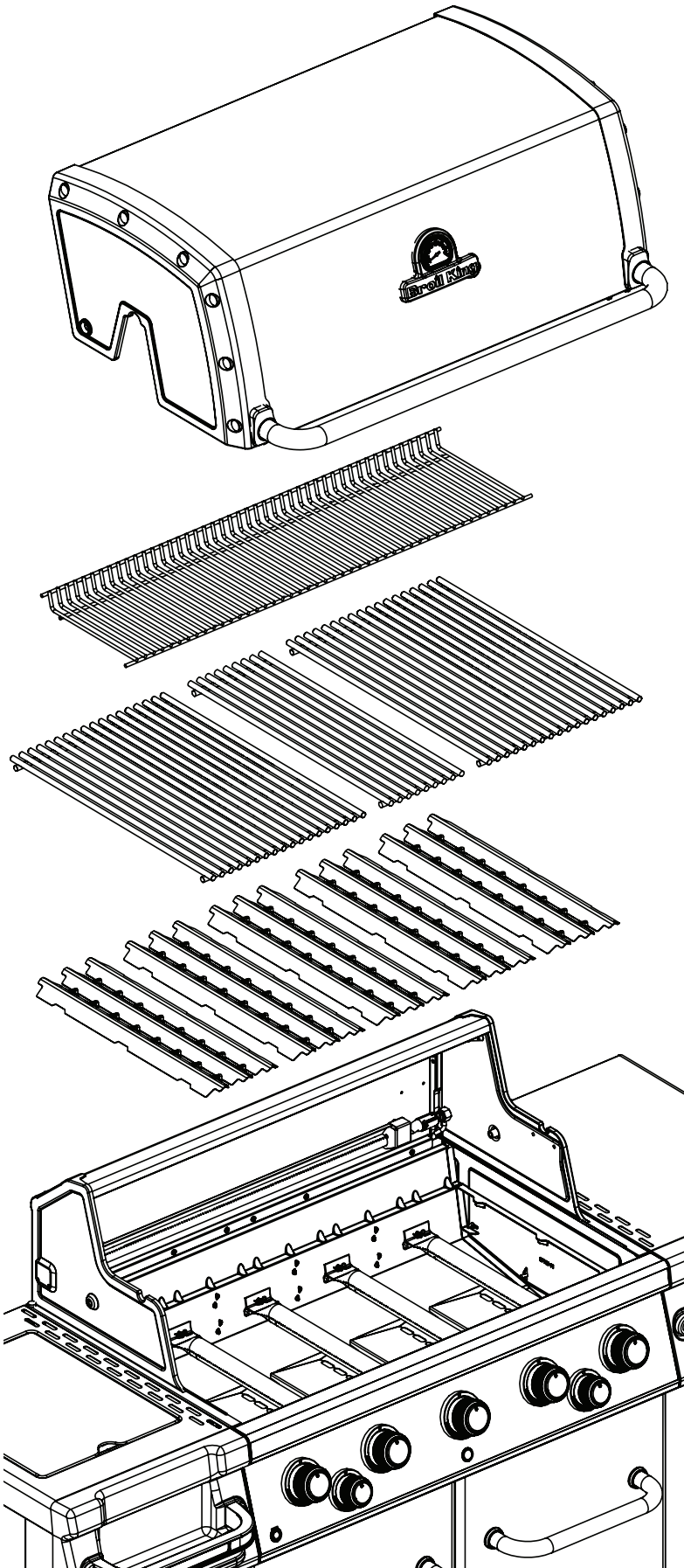
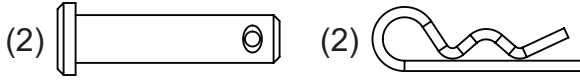
(1)

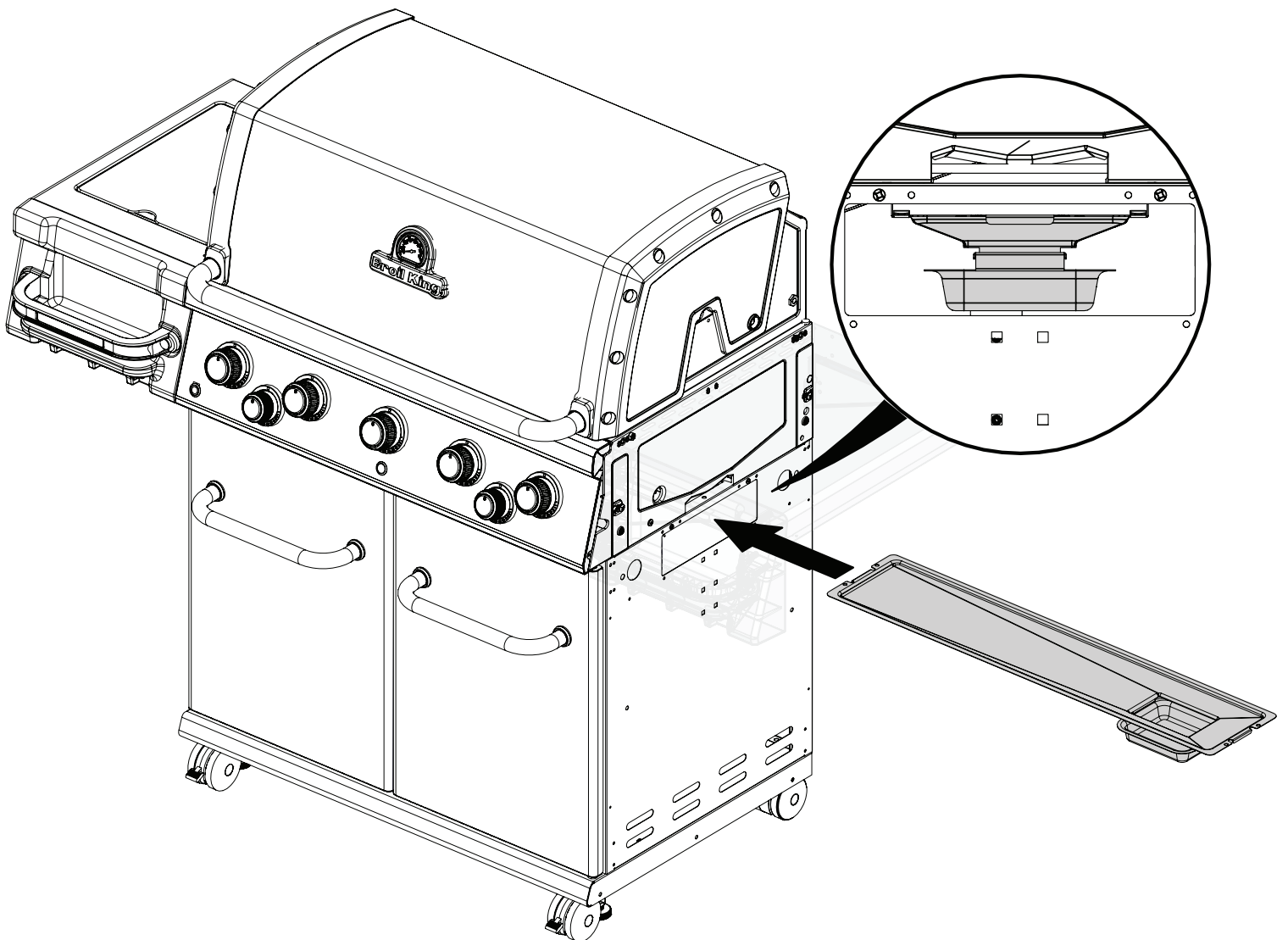
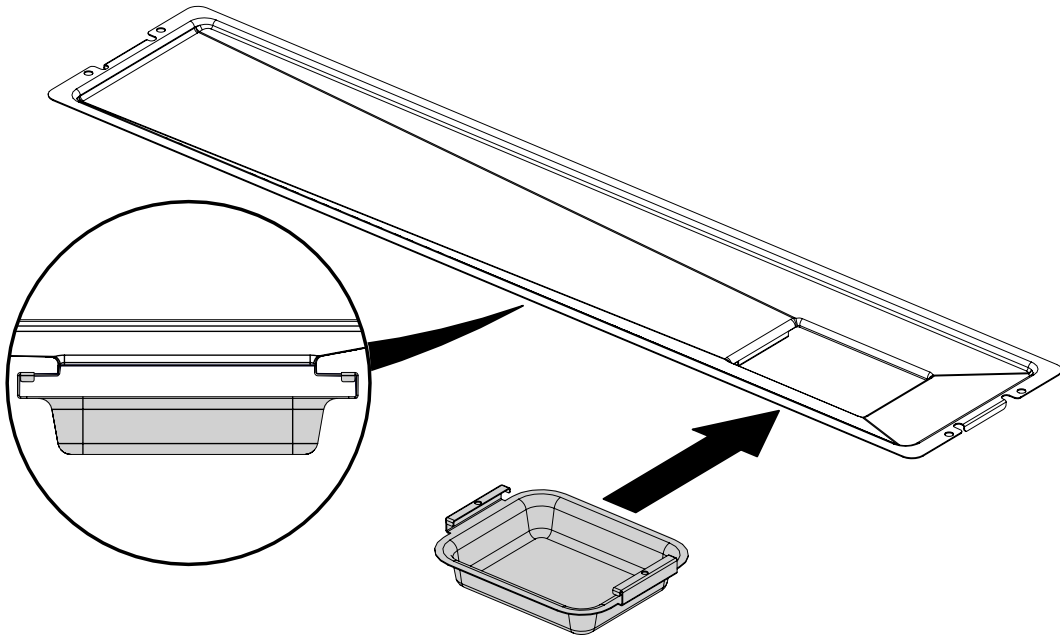


19

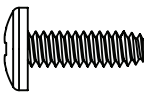


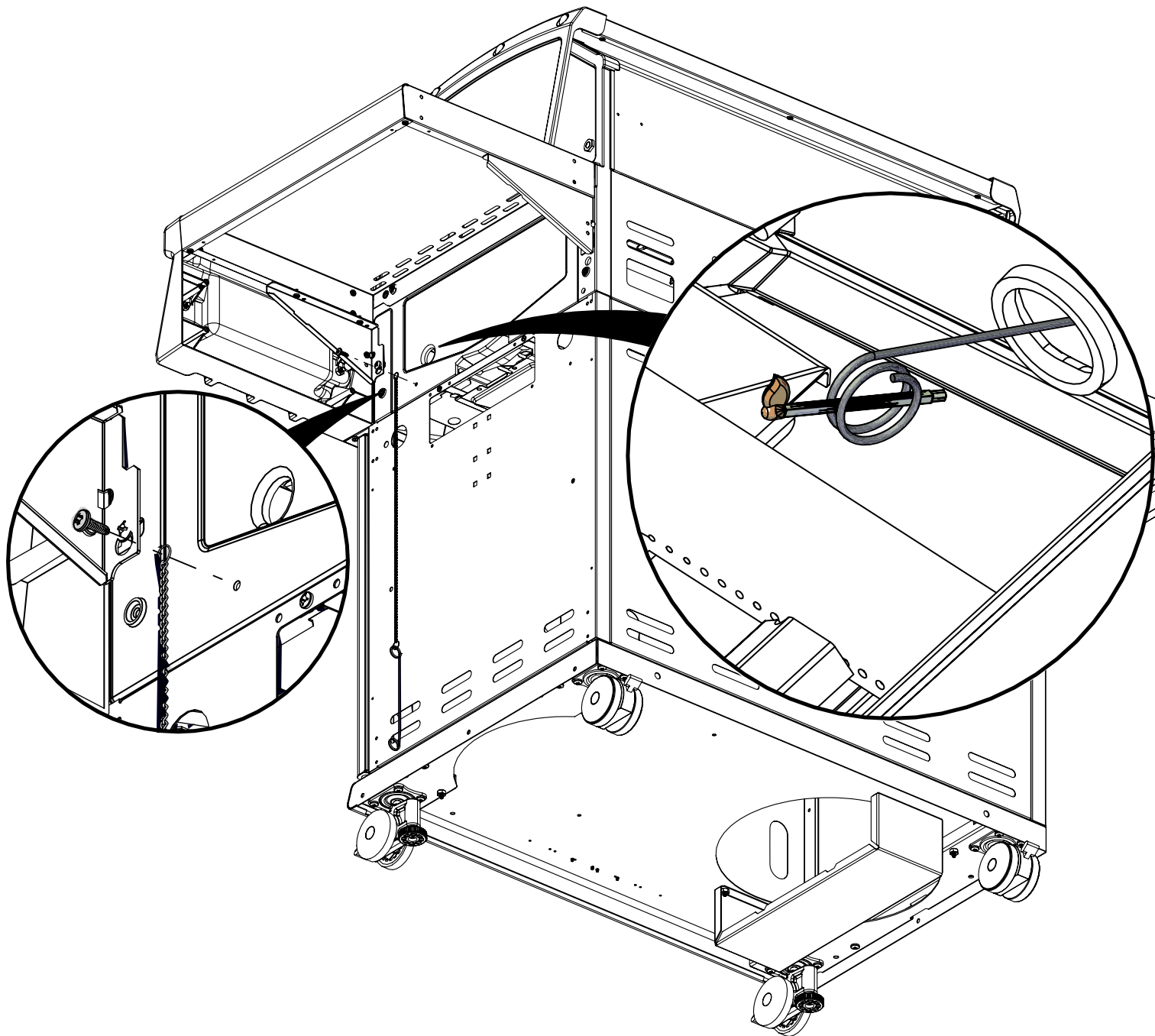
20



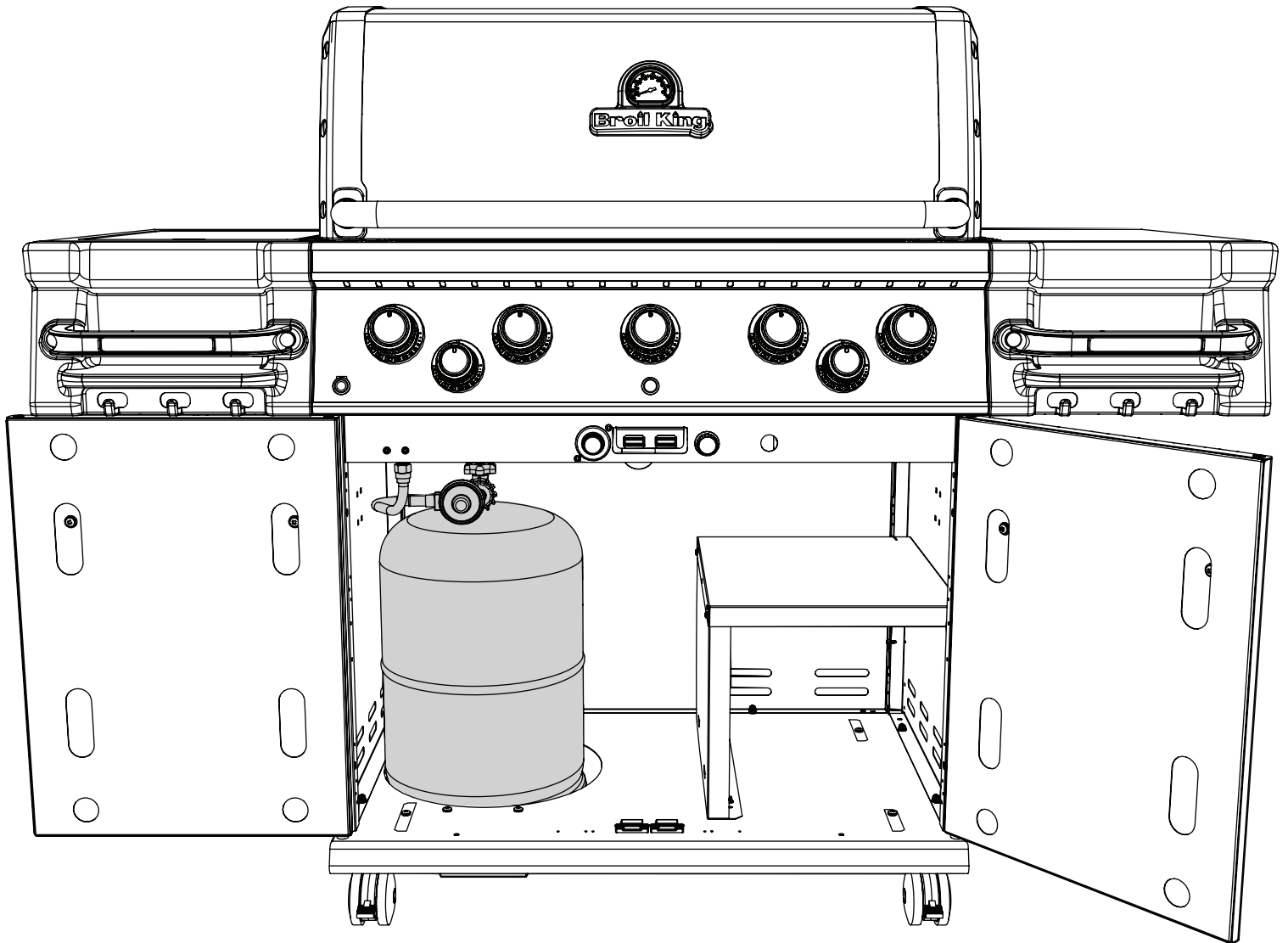
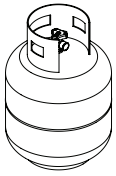


22

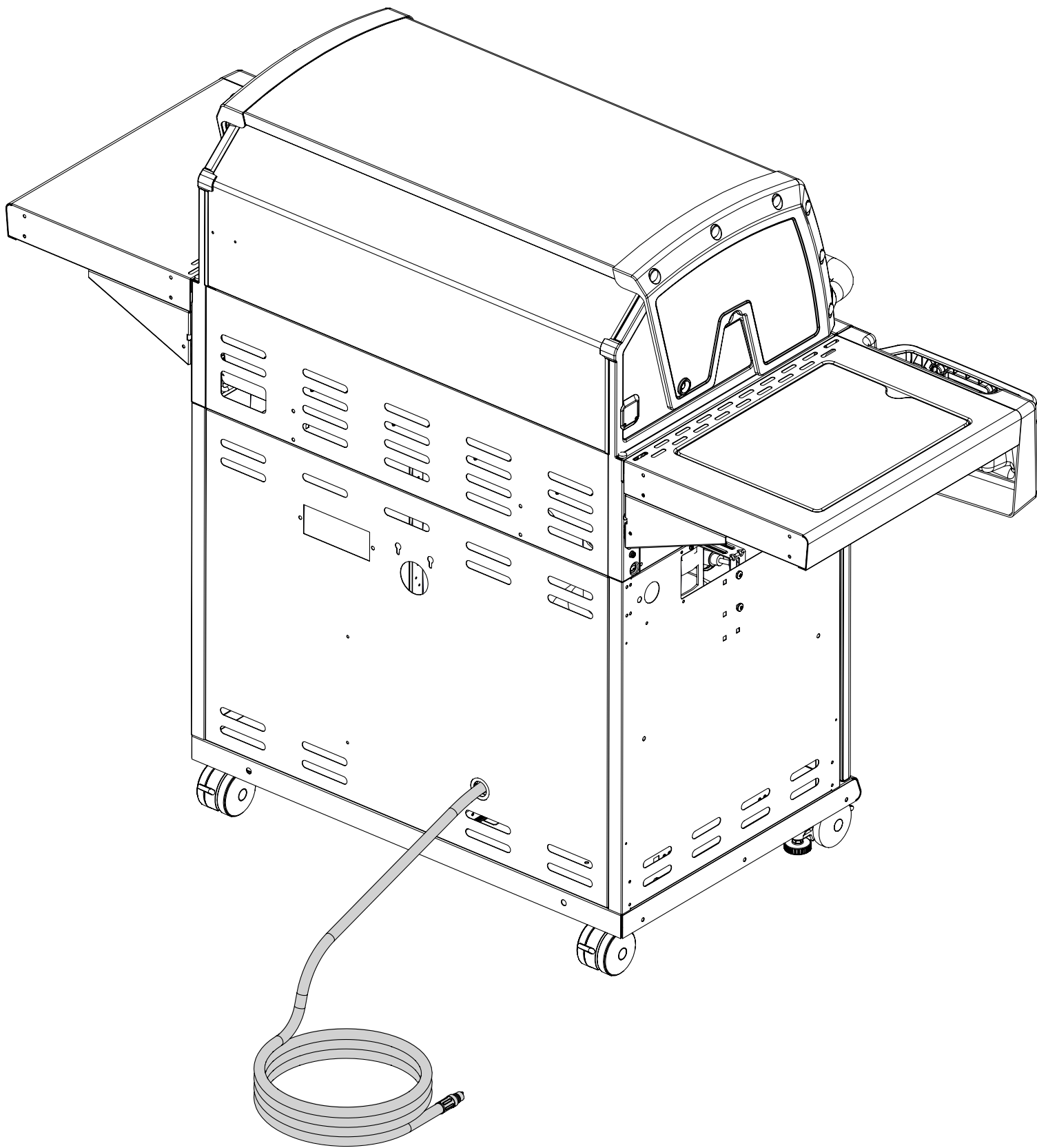
(1)  (1)



23



24



25

