

# Broil King®

## REDDI-BILT BARBECUES



### Broil King®

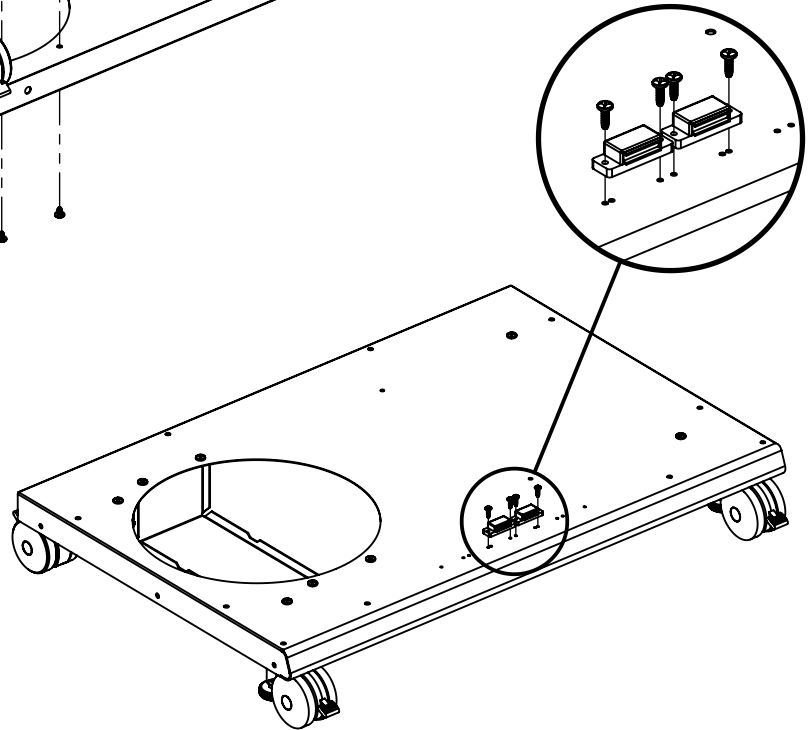
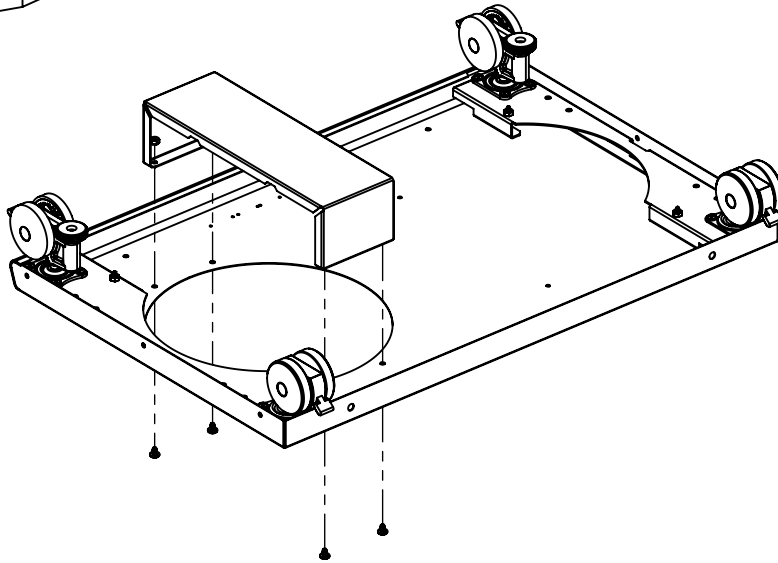
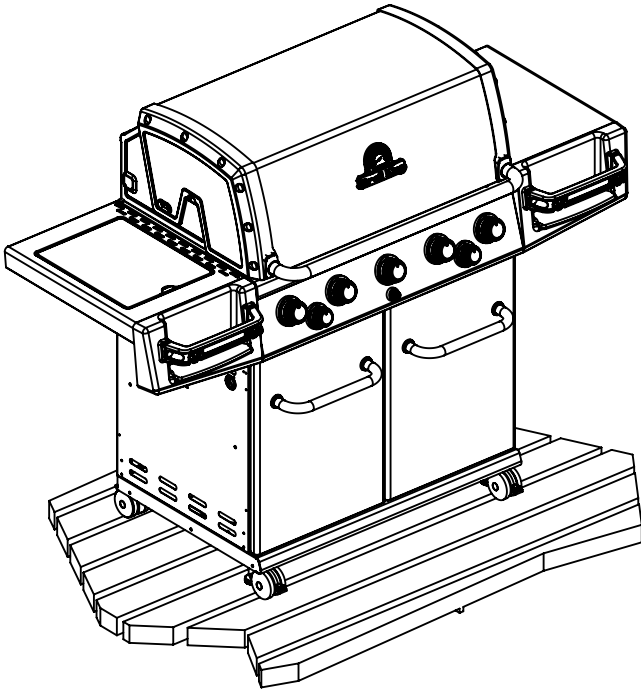
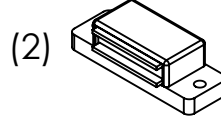
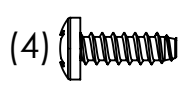
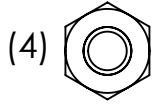
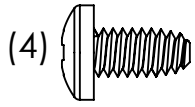
REGAL 590  
9581-82  
9581-83  
9581-86




### Broil King®

REGAL 590 PRO  
9585-42  
9585-43  
9585-46  
9585-82  
9585-83  
9585-86

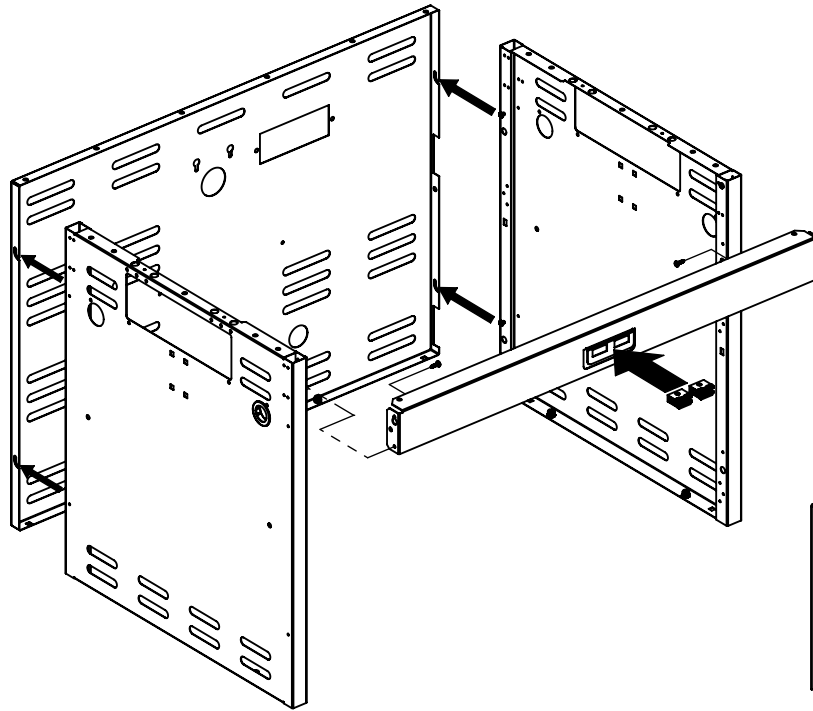
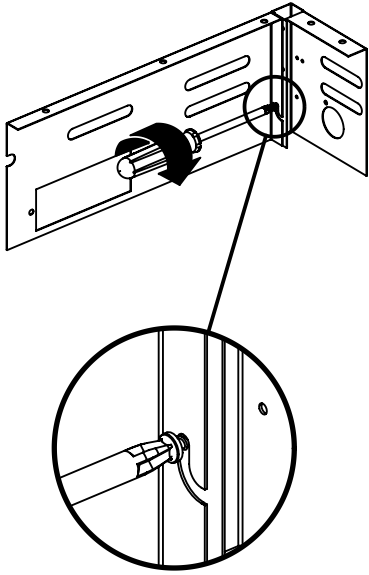
1




**2**

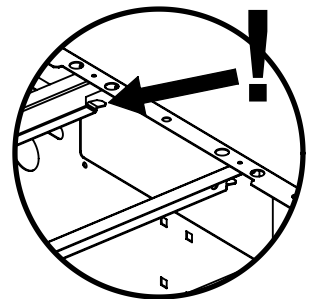
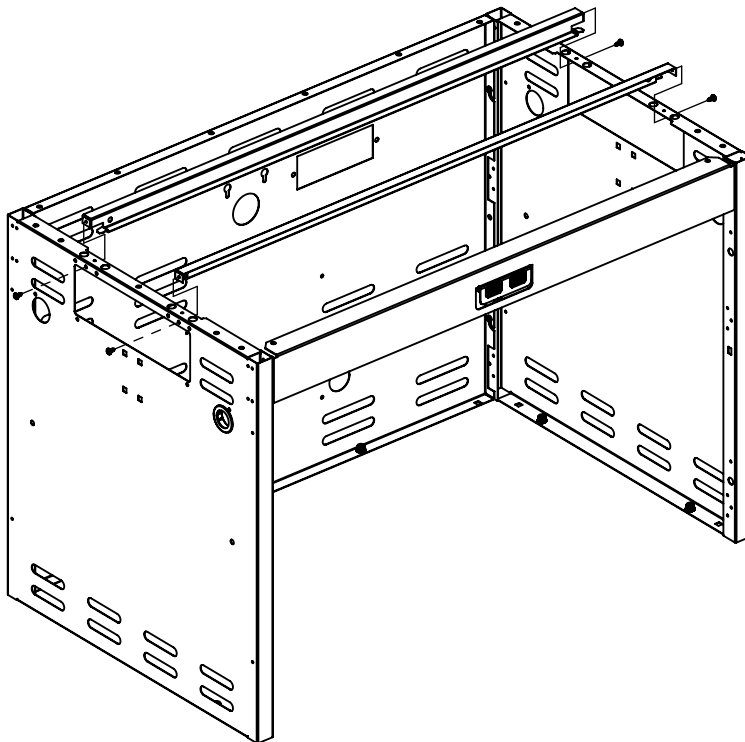
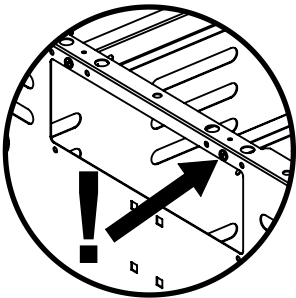
(2) 

(2) 

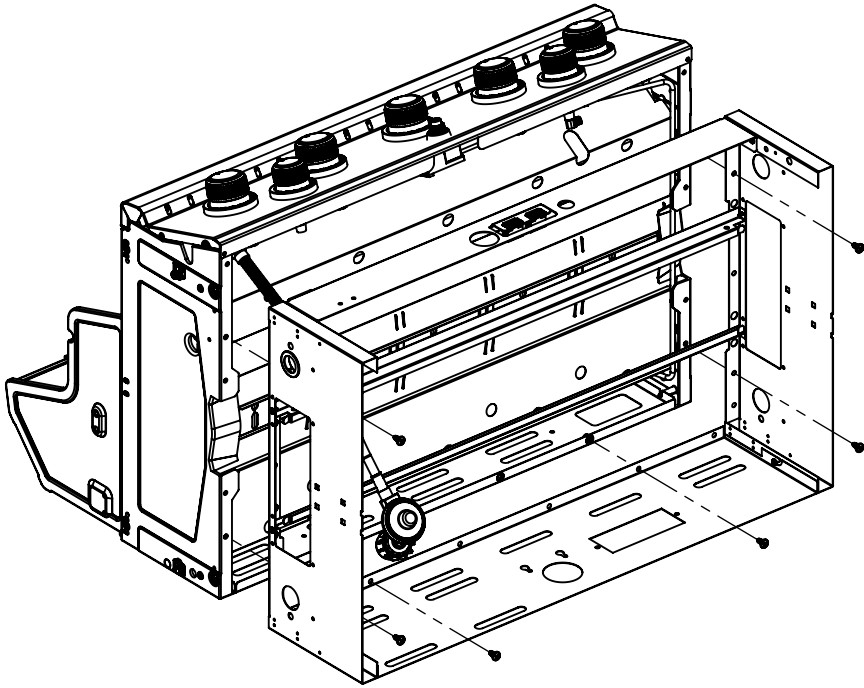
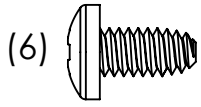


**3**

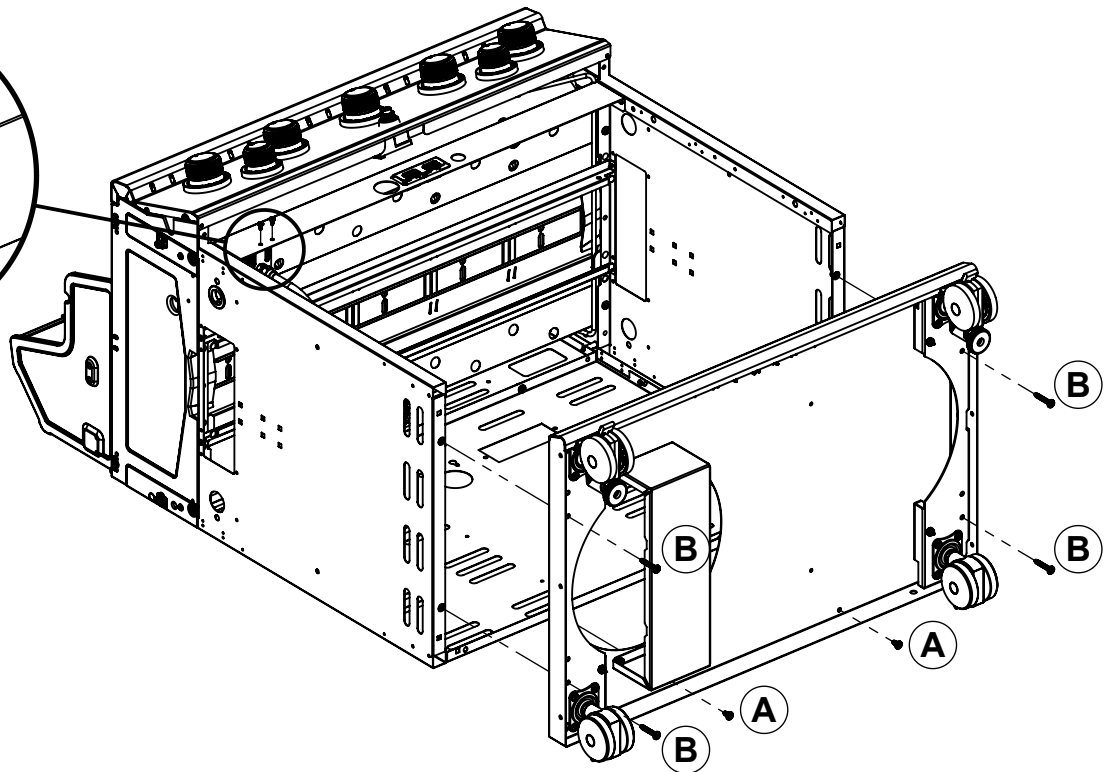
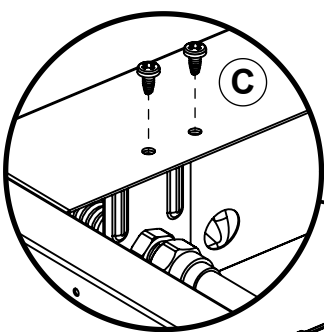
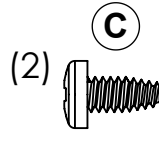
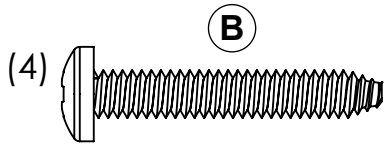
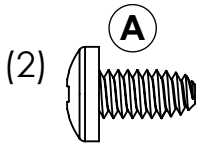
(4) 



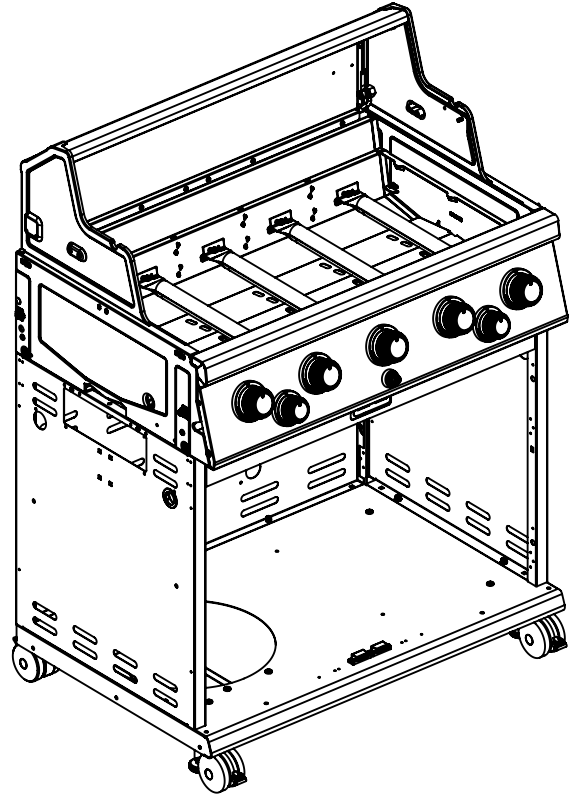
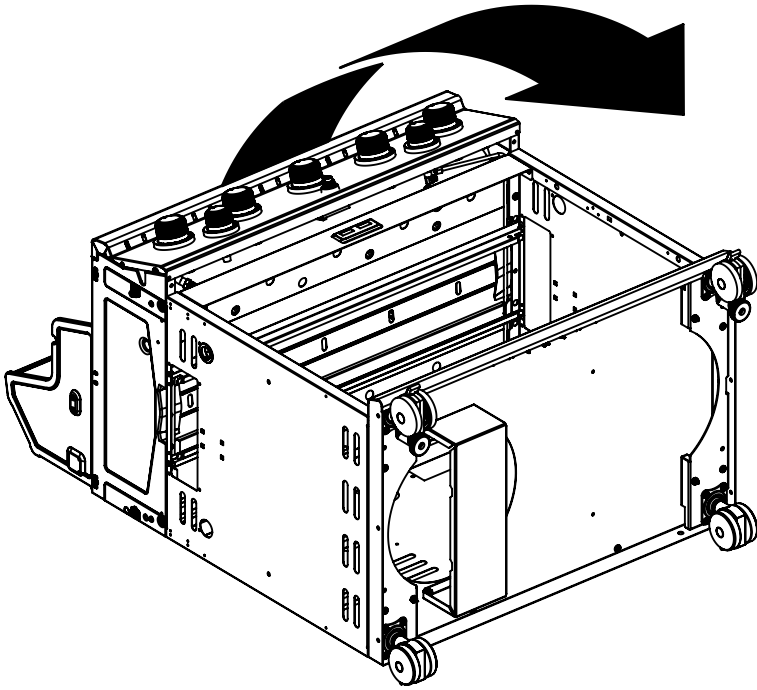
4



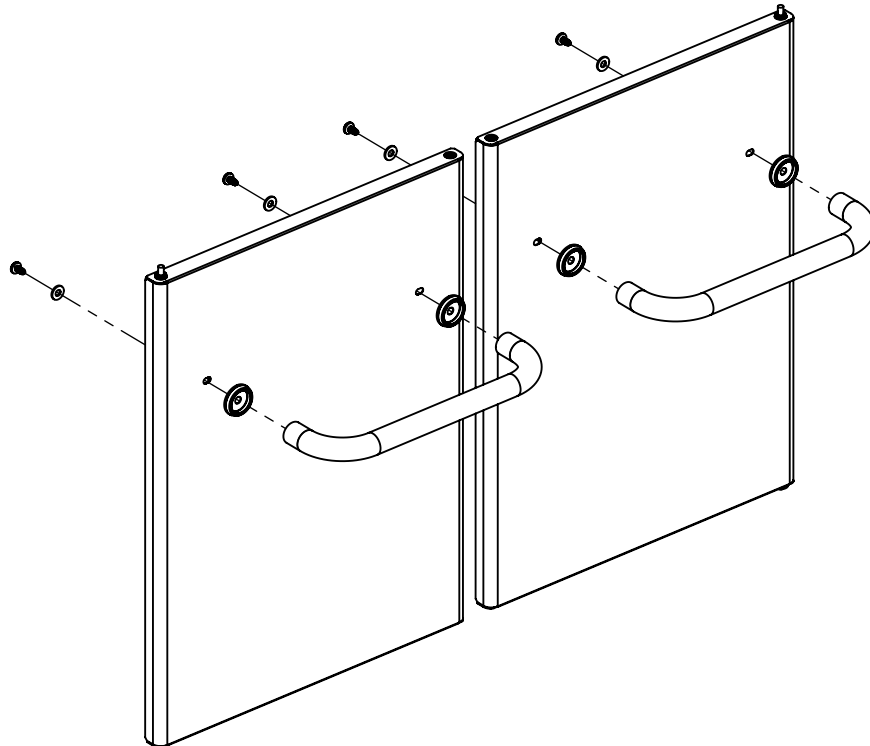
5



6

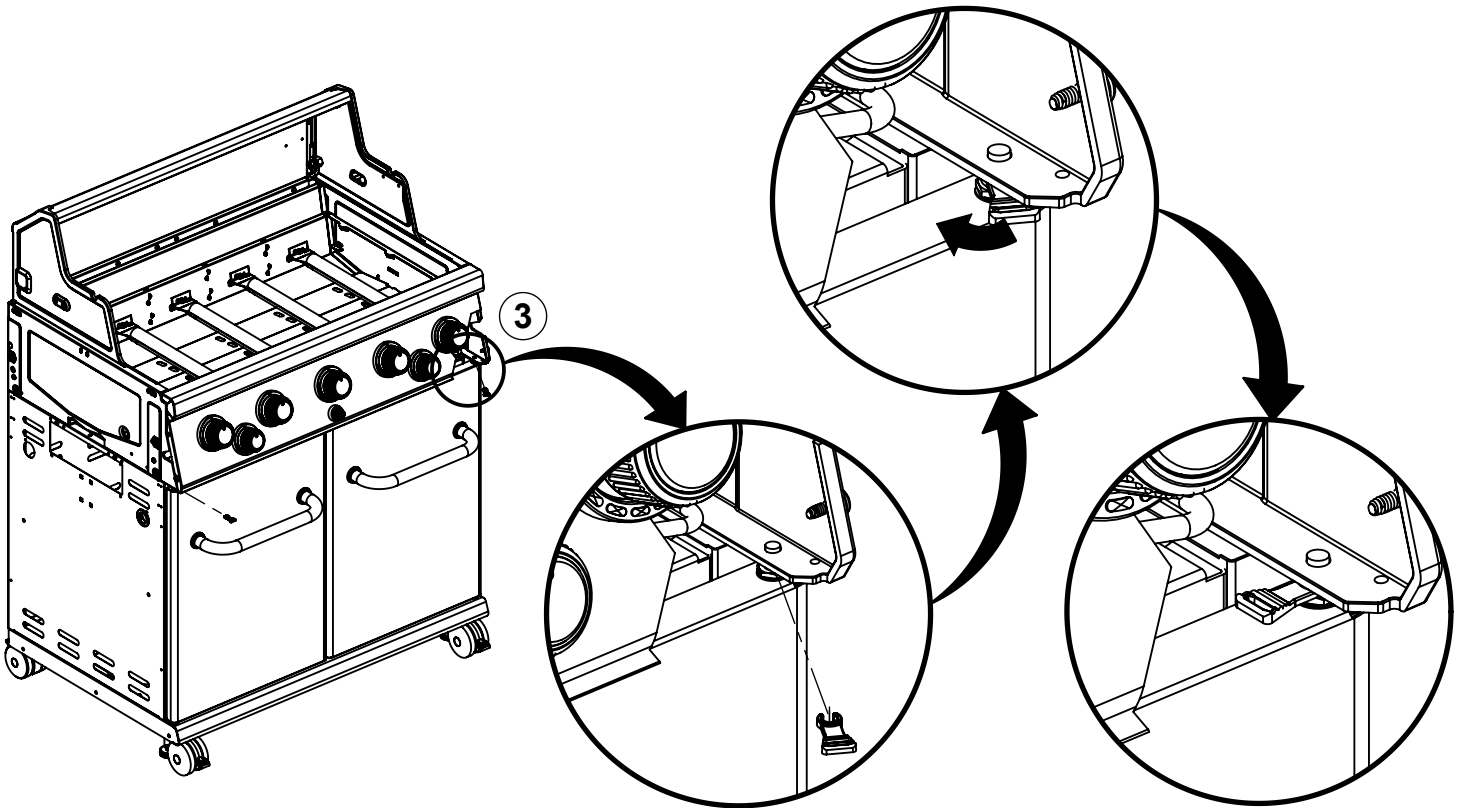
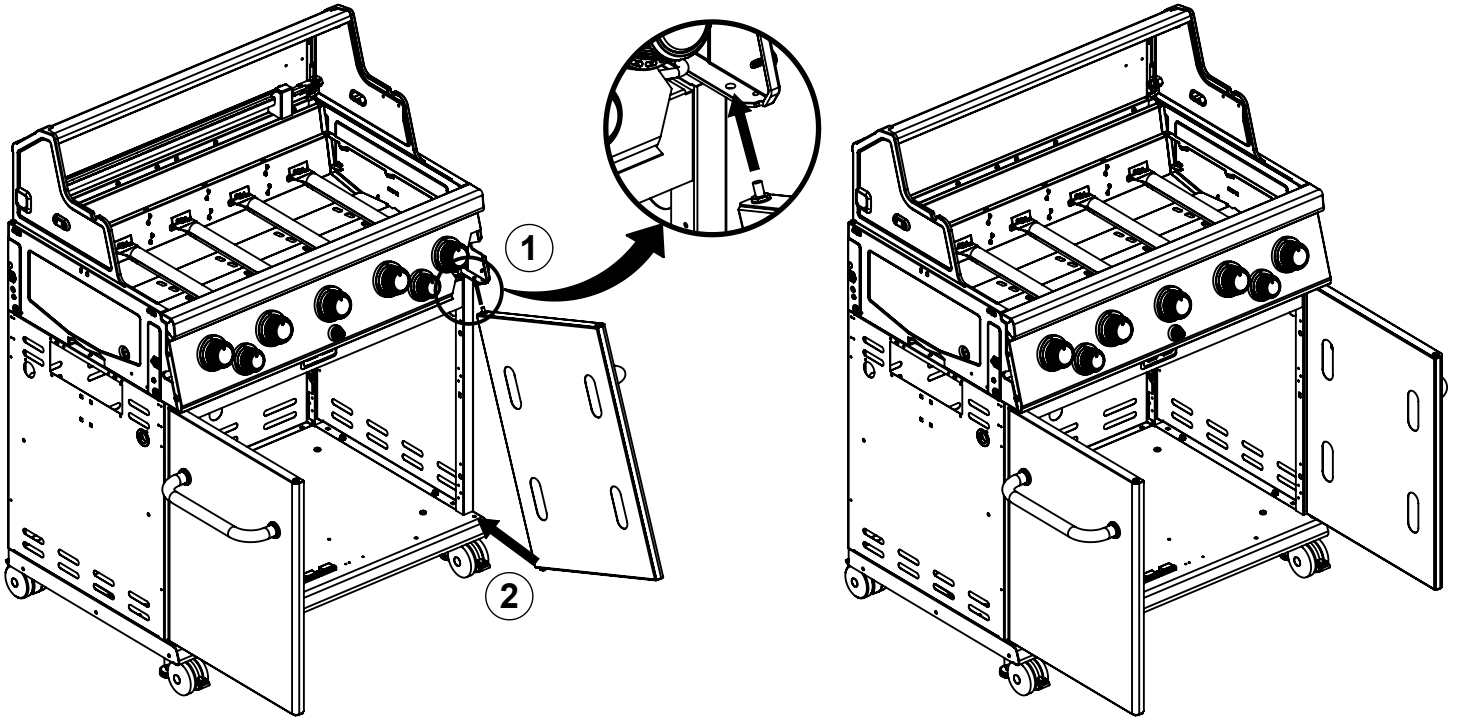
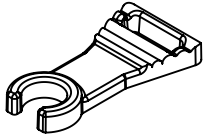


7

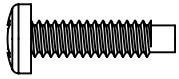


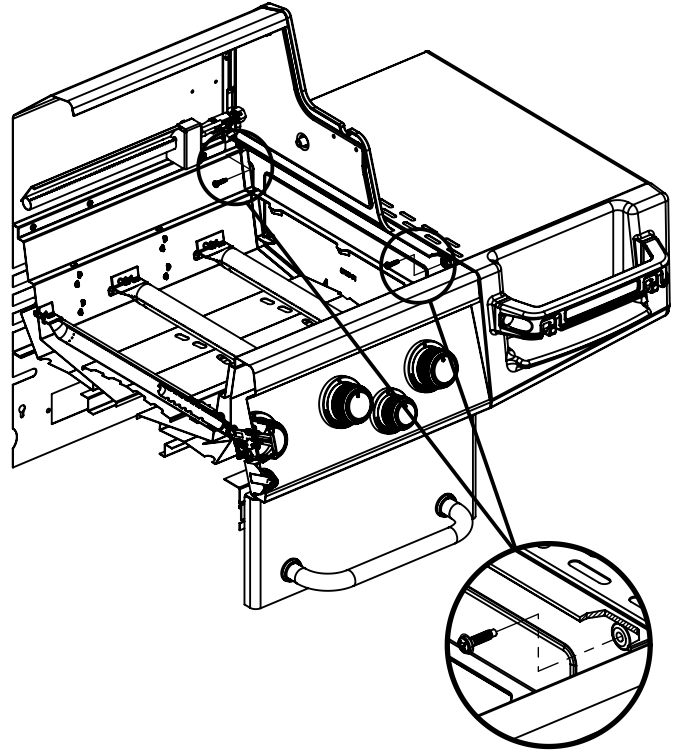
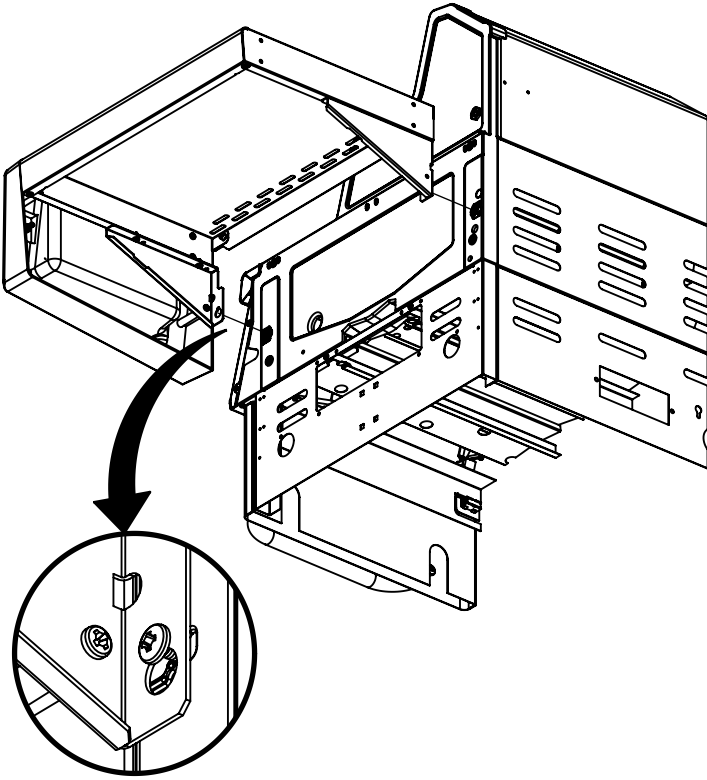
8

(2)

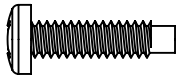


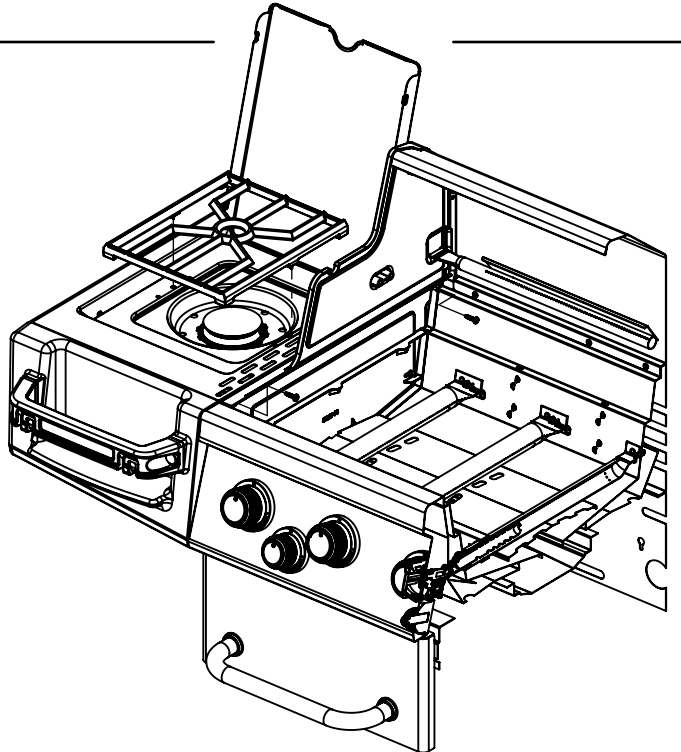
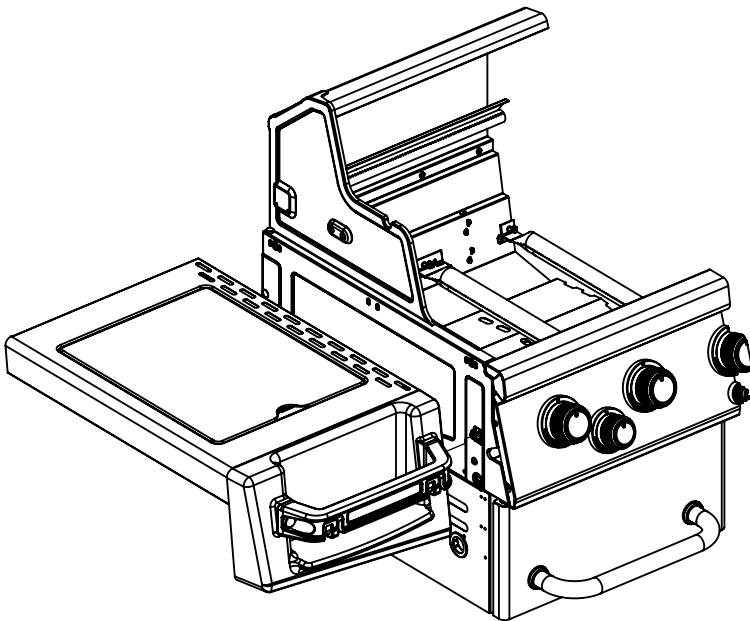
9

(2) 



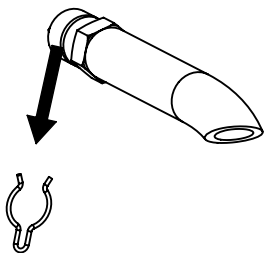
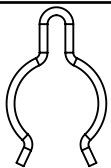
10

(2) 

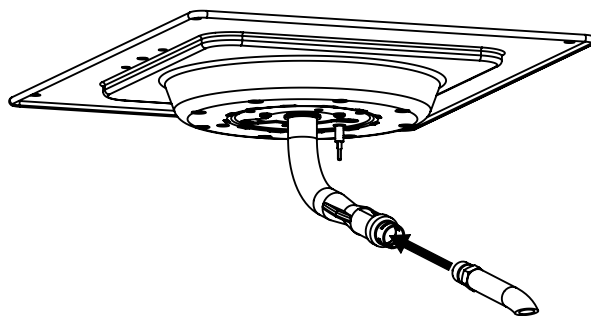


11

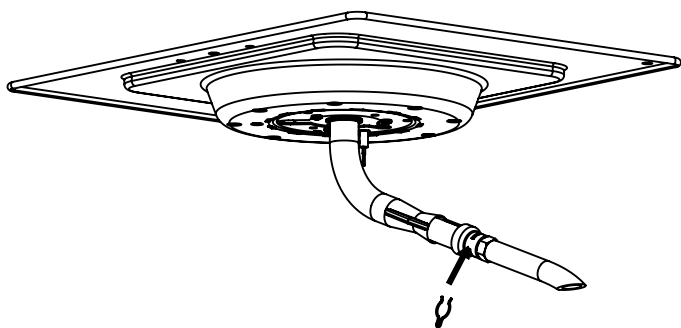
(1)



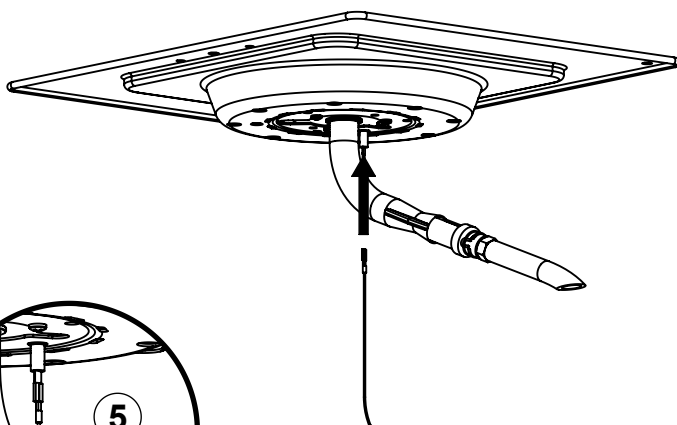
1



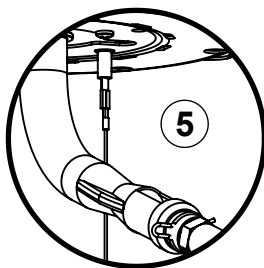
2



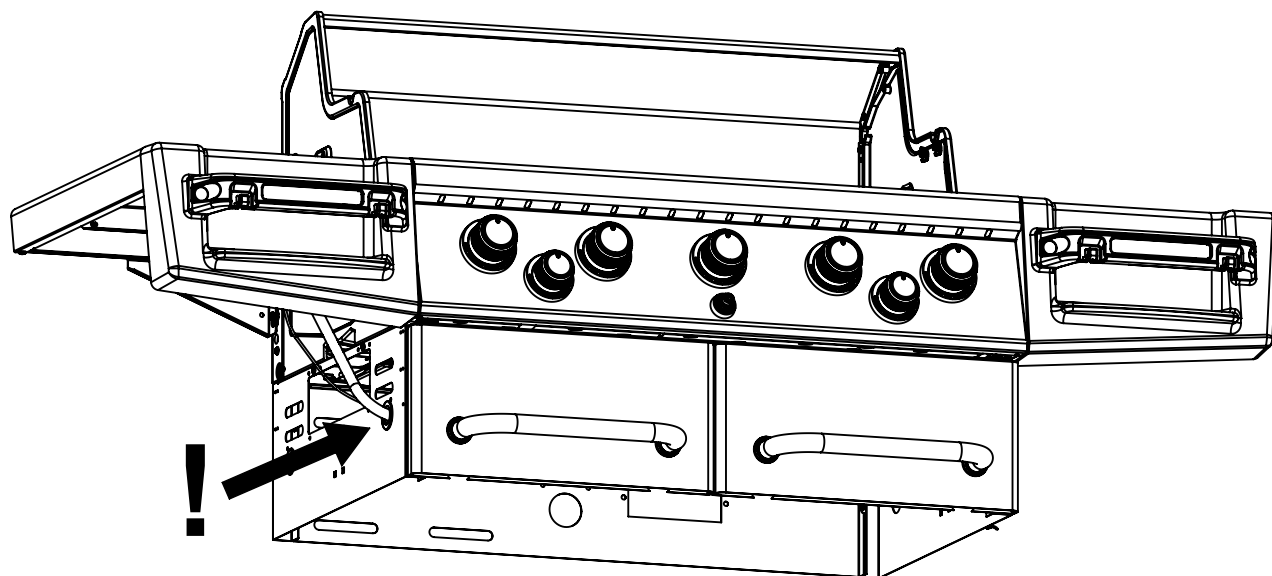
3



4

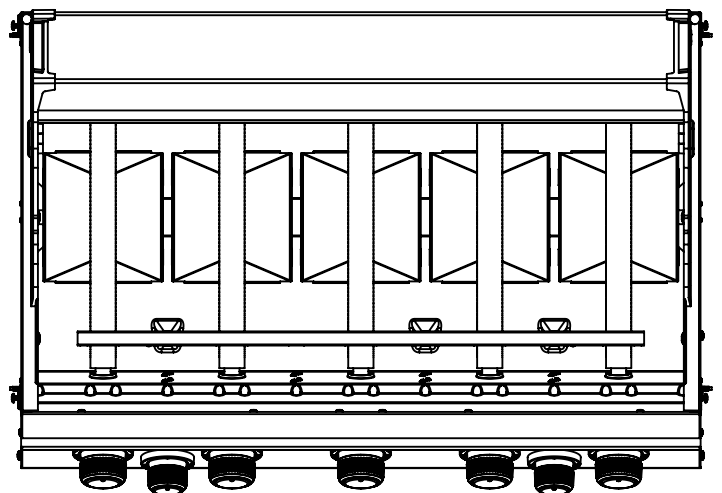
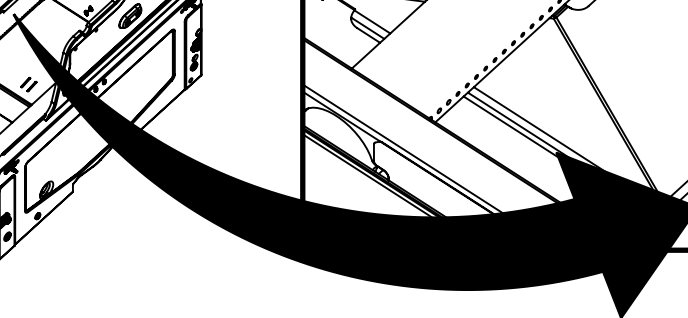
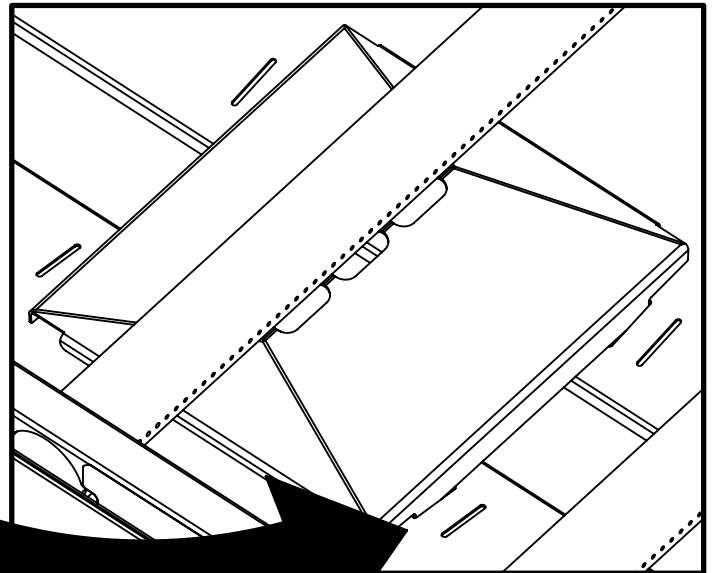
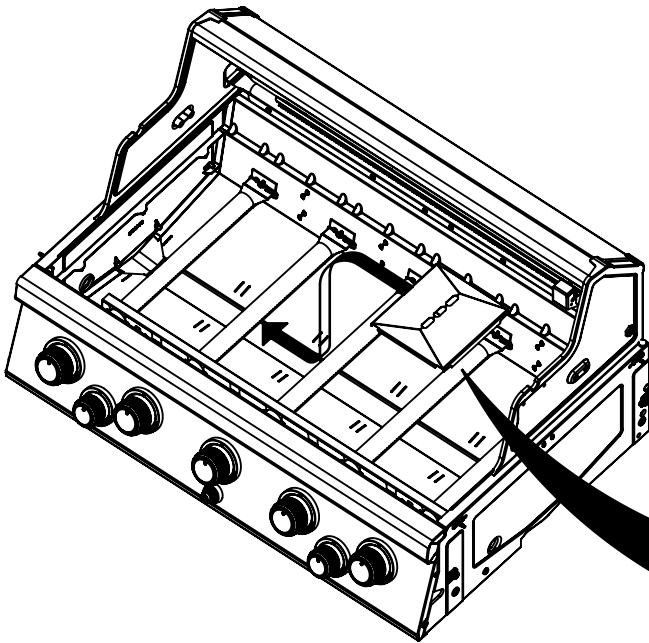
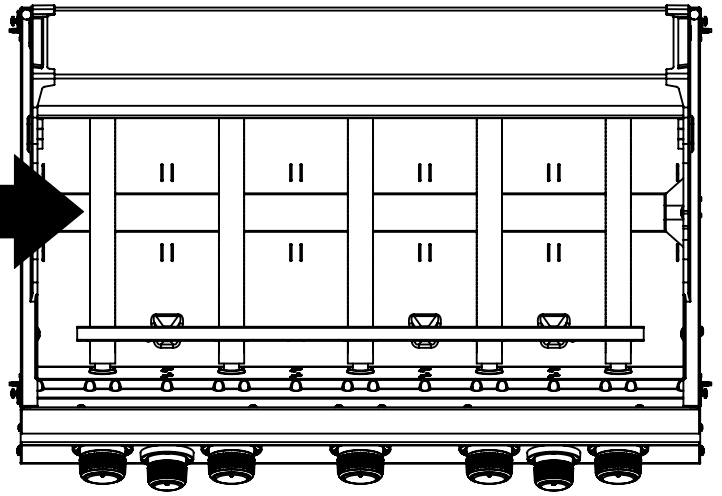
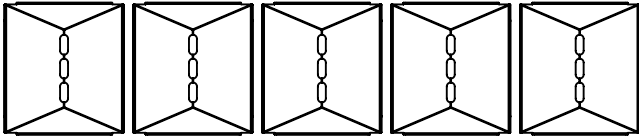


5

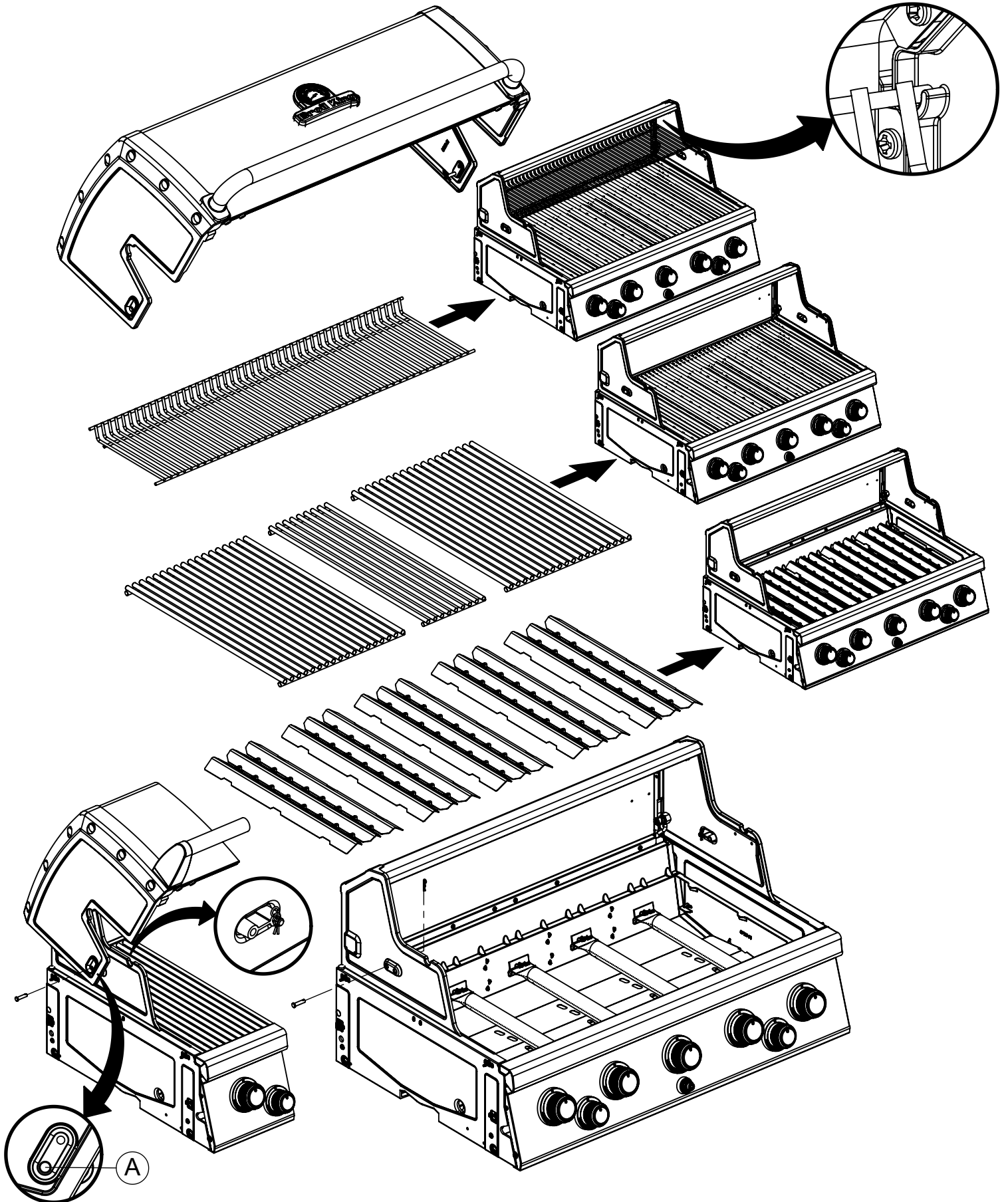
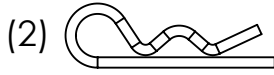
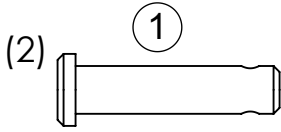




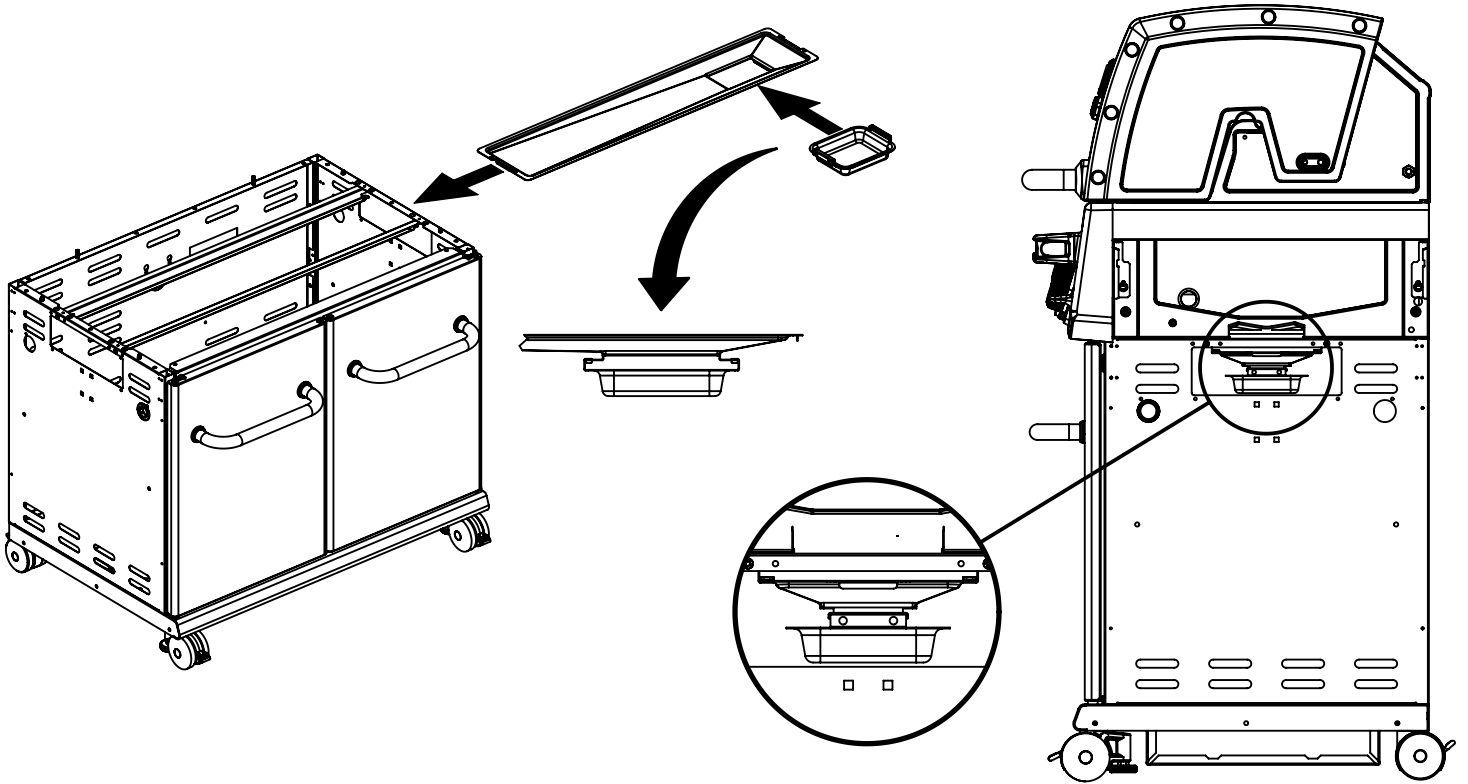
12



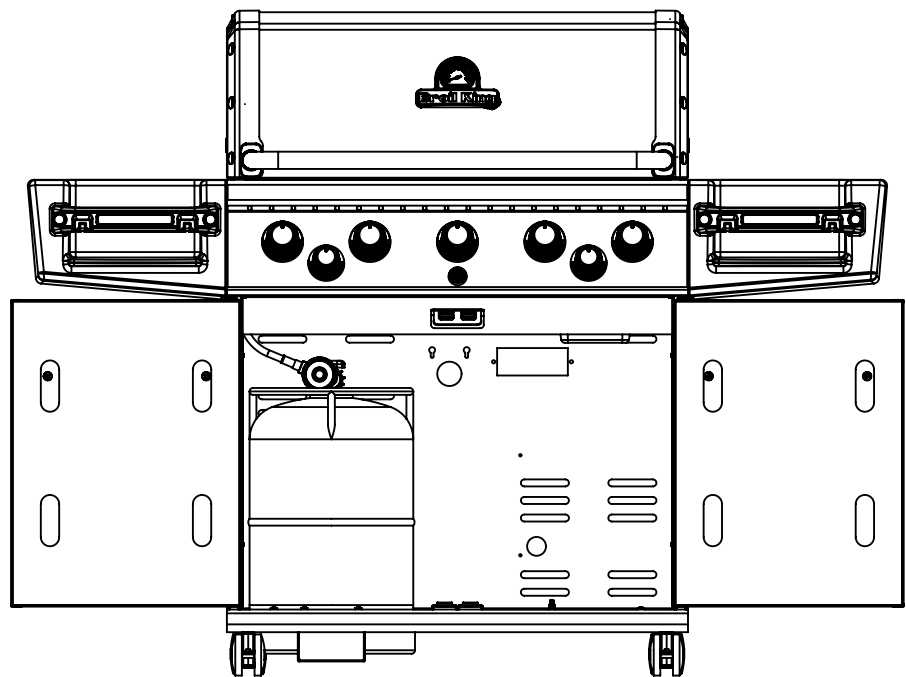
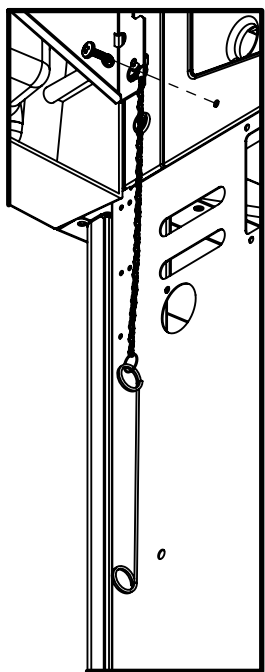
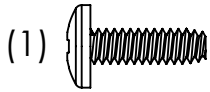
13



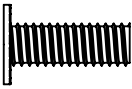
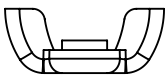
14

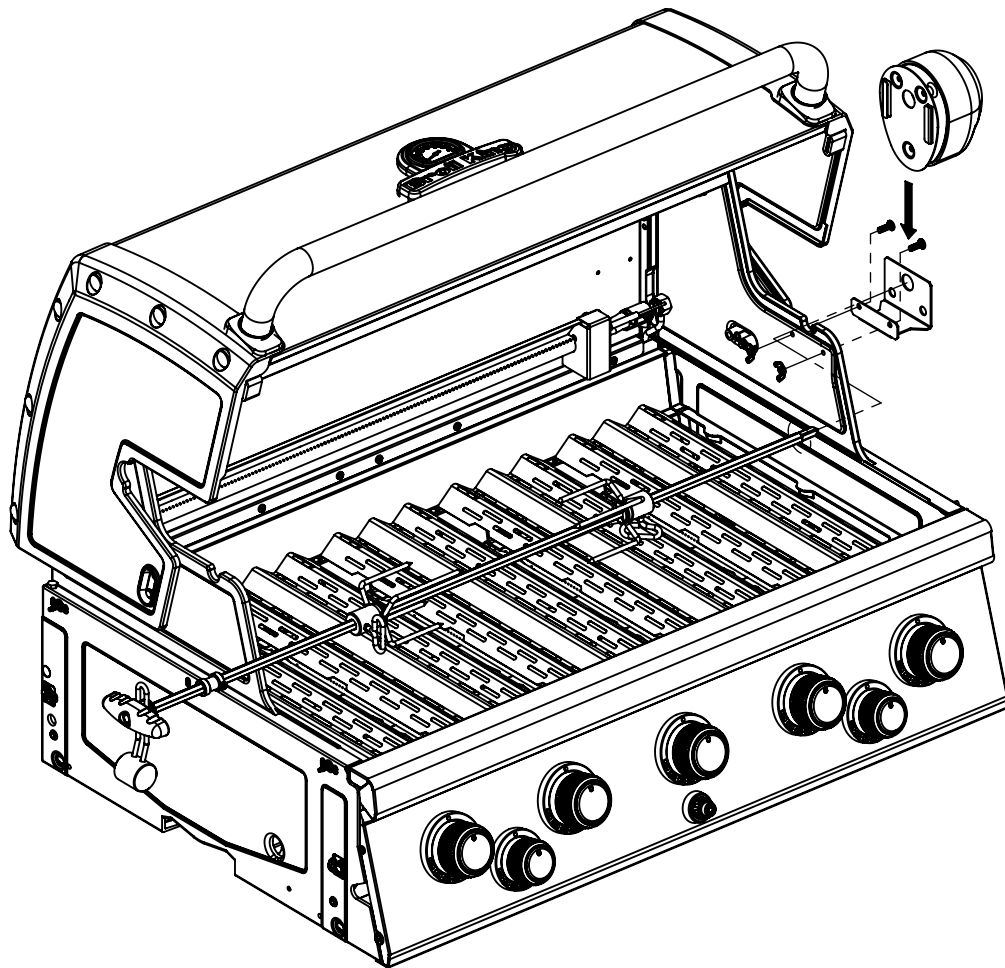
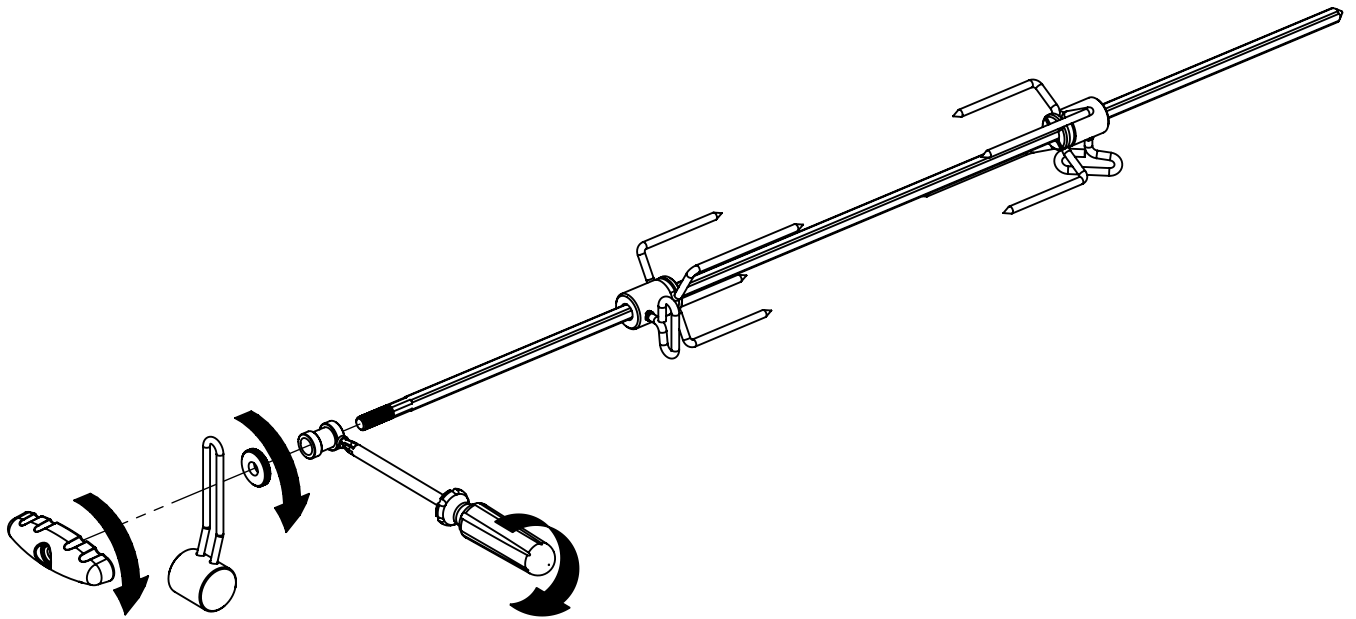


15



16

(2)  (2) 





## PARTS LIST / LISTE DES PIECES

| KEY # | ITEM #       | DESCRIPTION               | 9581-82 | 9581-83 | 9581-86 | 9585-42 | 9585-43 | 9585-46 | 9585-82 | 9585-83 | 9585-86 |
|-------|--------------|---------------------------|---------|---------|---------|---------|---------|---------|---------|---------|---------|
| 101   | 21039-301    | LOWER TANK SUPPORT        | 1       | 1       | 1       | 1       | 1       | 1       | 1       | 1       | 1       |
| 102   | 10892-23     | CASTOR                    | 2       | 2       | 2       | 2       | 2       | 2       | 2       | 2       | 2       |
| 102A  | 10892-285    | CASTOR                    | 2       | 2       | 2       | 2       | 2       | 2       | 2       | 2       | 2       |
| 110   | 23030-631    | SHELF BRACKET             | 2       | 2       | 2       | 2       | 2       | 2       | 2       | 2       | 2       |
| 111   | 23030-611    | SHELF BRACKET             | 2       | 2       | 2       | 2       | 2       | 2       | 2       | 2       | 2       |
| 114   | 23101-614    | SHELF                     | 1       | 1       | 1       | 1       | 1       | 1       | 1       | 1       | 1       |
| 115   | 23100-654    | SHELF                     | 1       | 1       | 1       | 1       | 1       | 1       | 1       | 1       | 1       |
| 116   | 23401-631    | SHELF FRONT               | 1       | 1       | 1       | 1       | 1       | 1       | 1       | 1       | 1       |
| 116A  | 23401-611    | SHELF FRONT               | 1       | 1       | 1       | 1       | 1       | 1       | 1       | 1       | 1       |
| 117   | 23009-608    | HANDLE                    | 2       | 2       | 2       | 2       | 2       | 2       | 2       | 2       | 2       |
| 124   | 23000-271    | SHELF-SIDE BURNER         | 1       | 1       | 1       | 1       | 1       | 1       | 1       | 1       | 1       |
| 125   | 23000-254    | COVER-SIDE BURNER         | 1       | 1       | 1       | 1       | 1       | 1       | 1       | 1       | 1       |
| 126   | 23909-20D    | SIDE BURNER               | 1       | •       | •       | 1       | •       | •       | 1       | •       | •       |
|       | 23909-20E    | SIDE BURNER               | •       | 1       | •       | •       | 1       | •       | •       | 1       | •       |
|       | 23909-20NGE  | SIDE BURNER               | •       | •       | 1       | •       | •       | 1       | •       | •       | 1       |
| 128   | 23009-98     | GRID                      | 1       | 1       | 1       | 1       | 1       | 1       | 1       | 1       | 1       |
| 130   | 27906-354D   | BURNER ROTISSERIE         | 1       | •       | •       | 1       | •       | •       | 1       | •       | •       |
|       | 27906-354E   | BURNER ROTISSERIE         | •       | 1       | •       | •       | 1       | •       | •       | 1       | •       |
|       | 27906-354NGE | BURNER ROTISSERIE         | •       | •       | 1       | •       | •       | 1       | •       | •       | 1       |
| 131   | 10693-099    | REAR BURNER-ORIFICE       | 1       | •       | •       | 1       | •       | •       | 1       | •       | •       |
|       | 10693-102    | REAR BURNER-ORIFICE       | •       | 1       | •       | •       | 1       | •       | •       | 1       | •       |
|       | 10693-155    | REAR BURNER-ORIFICE       | •       | •       | 1       | •       | •       | 1       | •       | •       | 1       |
| 133   | S15271       | HANDLE                    | 1       | 1       | 1       | 1       | 1       | 1       | 1       | 1       | 1       |
| 134   | S15270       | BALANCER                  | 1       | 1       | 1       | 1       | 1       | 1       | 1       | 1       | 1       |
| 135   | S15299       | WASHER                    | 1       | 1       | 1       | 1       | 1       | 1       | 1       | 1       | 1       |
| 136   | S15263       | BUSHING                   | 1       | 1       | 1       | 1       | 1       | 1       | 1       | 1       | 1       |
| 137   | S15259       | SPIT ROD                  | 1       | 1       | 1       | 1       | 1       | 1       | 1       | 1       | 1       |
| 138   | S15287       | 4 PRONG FORKS             | 2       | 2       | 2       | 2       | 2       | 2       | 2       | 2       | 2       |
| 139   | 57039-901    | ROTISSERIE BRACKET        | 1       | 1       | 1       | 1       | 1       | 1       | 1       | 1       | 1       |
| 140   | S21125       | SCREW #8 X 1/2            | 28      | 28      | 28      | 28      | 28      | 28      | 28      | 28      | 28      |
| 141   | Y-12860      | BOLT                      | 2       | 2       | 2       | 2       | 2       | 2       | 2       | 2       | 2       |
| 143   | Y-12855      | BOLT 1/4-20 X 3/8         | 40      | 40      | 40      | 40      | 40      | 40      | 40      | 40      | 40      |
| 144   | Y-12220      | BUSHING                   | 1       | 1       | 1       | 1       | 1       | 1       | 1       | 1       | 1       |
| 145   | S21235       | HINGE PIN                 | 2       | 2       | 2       | 2       | 2       | 2       | 2       | 2       | 2       |
| 146   | S21233       | HITCH PIN CLIP            | 2       | 2       | 2       | 2       | 2       | 2       | 2       | 2       | 2       |
| 147   | Y-11231      | LID BUMPER                | 2       | 2       | 2       | 2       | 2       | 2       | 2       | 2       | 2       |
| 147A  | SP11-25      | LID BUMPER                | 2       | 2       | 2       | 2       | 2       | 2       | 2       | 2       | 2       |
| 148   | 10240-20     | DOOR PIN                  | 2       | 2       | 2       | 2       | 2       | 2       | 2       | 2       | 2       |
| 149   | 10240-19     | DOOR PIN                  | 2       | 2       | 2       | 2       | 2       | 2       | 2       | 2       | 2       |
| 150   | Y-12124      | DOOR PIN CAP              | 2       | 2       | 2       | 2       | 2       | 2       | 2       | 2       | 2       |
| 151   | Y-12857      | WASHER                    | 4       | 4       | 4       | 4       | 4       | 4       | 4       | 4       | 4       |
| 152   | Y-12222      | MAGNET                    | 2       | 2       | 2       | 2       | 2       | 2       | 2       | 2       | 2       |
| 153   | Y-12223      | SNAP IN MAGNET            | 2       | 2       | 2       | 2       | 2       | 2       | 2       | 2       | 2       |
| 154   | Y-11560      | SCREW 1/4-20 X 1-1/2      | 8       | 8       | 8       | 8       | 8       | 8       | 8       | 8       | 8       |
| 155   | S21124       | SCREW #8 X 1/2            | 25      | 25      | 25      | 25      | 25      | 25      | 25      | 25      | 25      |
| 156   | Y-11793      | NUT 1/4-20                | 24      | 24      | 20      | 24      | 24      | 20      | 24      | 24      | 20      |
| 157   | Y-12835      | SCREW #6-32 X 1/4         | 3       | 3       | 3       | 3       | 3       | 3       | 3       | 3       | 3       |
| 158   | Y-12646      | SCREW - SHOULDER #8 X 1/2 | 2       | 2       | 2       | 2       | 2       | 2       | 2       | 2       | 2       |
| 160   | Y-29304      | BOLT #10-24 X 3/8         | 37      | 37      | 37      | 37      | 37      | 37      | 37      | 37      | 37      |
| 161   | Y-29310      | SCREW                     | 4       | 4       | 4       | 4       | 4       | 4       | 4       | 4       | 4       |
| 163   | S35094       | SCREW #10-24 X 5/8        | 7       | 7       | 7       | 7       | 7       | 7       | 7       | 7       | 7       |
| 165   | Y-12127      | DOOR CLIP                 | 2       | 2       | 2       | 2       | 2       | 2       | 2       | 2       | 2       |
| 166   | Y-11981      | BOLT 1/4-20 X 3/4         | 12      | 12      | 12      | 12      | 12      | 12      | 12      | 12      | 12      |
| 167   | Y-11987      | BOLT 1/4-20 X 1           | 4       | 4       | 4       | 4       | 4       | 4       | 4       | 4       | 4       |
| 169   | S21061       | WING NUT                  | 2       | 2       | 2       | 2       | 2       | 2       | 2       | 2       | 2       |
| 171   | S15245       | MOTOR                     | 1       | 1       | 1       | 1       | 1       | 1       | 1       | 1       | 1       |
| 173   | S21362       | SPRING                    | 1       | 1       | 1       | 1       | 1       | 1       | 1       | 1       | 1       |
| 180   | S35095       | SCREW #10-24 X 5/8        | 2       | 2       | 2       | 2       | 2       | 2       | 2       | 2       | 2       |
| 186   | Y-12865      | SCREW                     | 16      | 16      | 12      | 16      | 16      | 12      | 16      | 16      | 12      |

