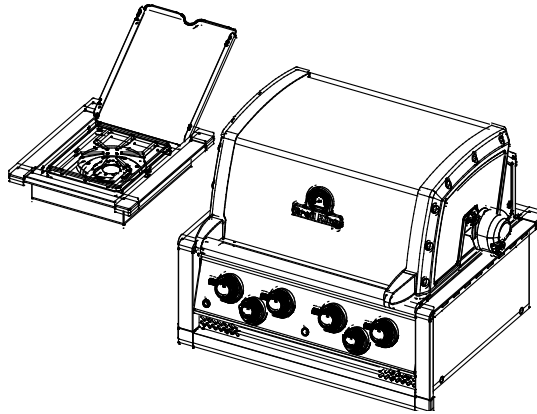
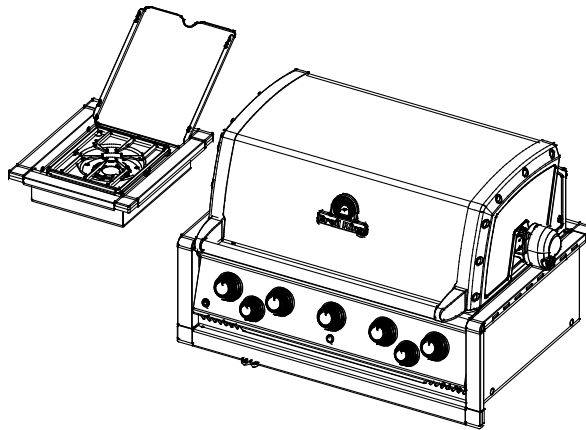


Broil King®

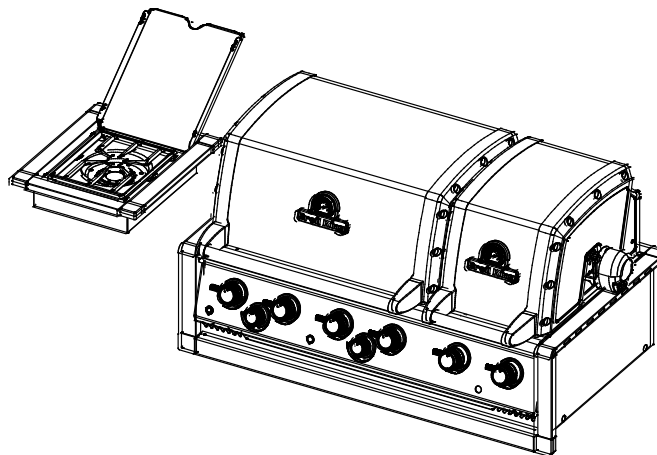
Broil King
IMPERIAL 490 BUILT-IN
9560-82
9560-83
9560-86



Broil King
IMPERIAL 590 BUILT-IN
9580-82
9580-83
9580-86



Broil King
IMPERIAL XLS BUILT-IN
9570-82
9570-83
9570-86

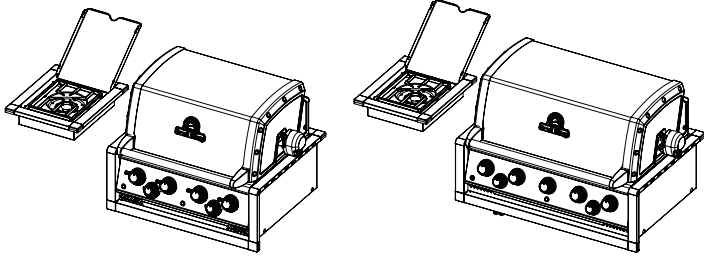


Onward
MANUFACTURING COMPANY LIMITED
585 KUMPF DRIVE
WATERLOO, ONTARIO, CANADA
N2V 1K3

SINCE 1906

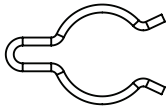
70084-E75EU REV B 09/17

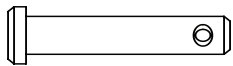
HARDWARE INCLUDED

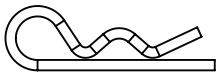


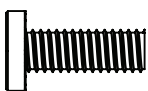
Y-29304  X4

Y-29301  X2


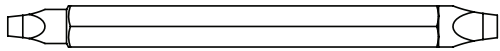

Y-11230  X1

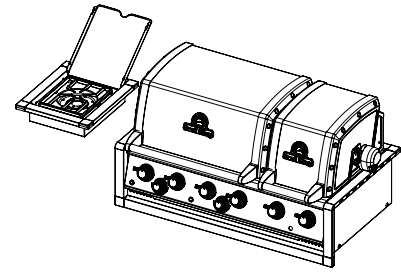
S21235  X2

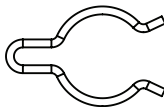
S21233  X2

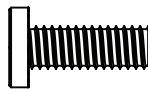
S35095  X2


S21061  X2


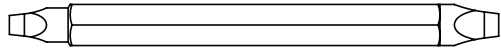

  
 #2 ROBERTSON #3 ROBERTSON



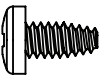
Y-11230  X1

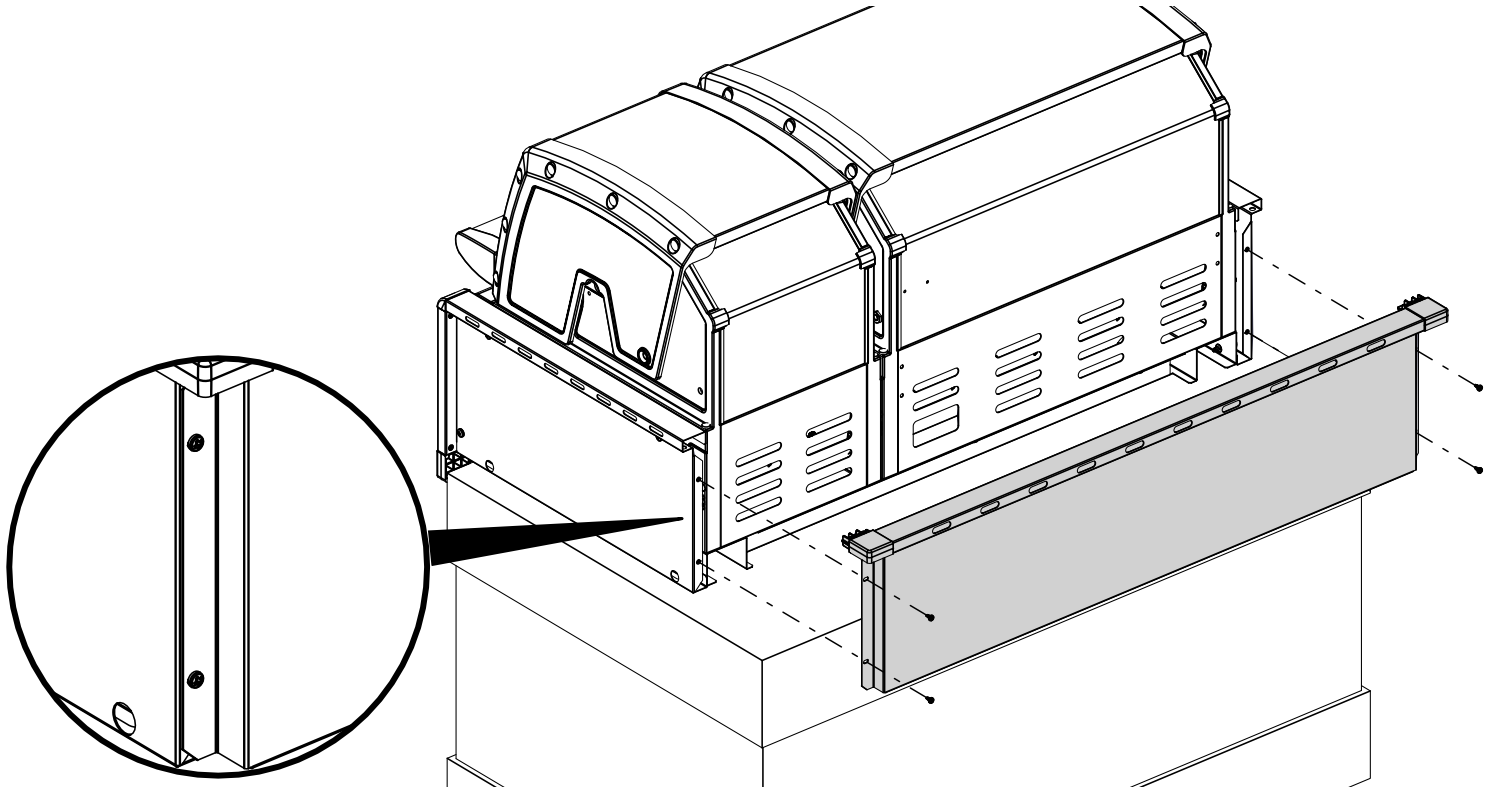
S35095  X2

S21061  X2


  
 #2 ROBERTSON #3 ROBERTSON

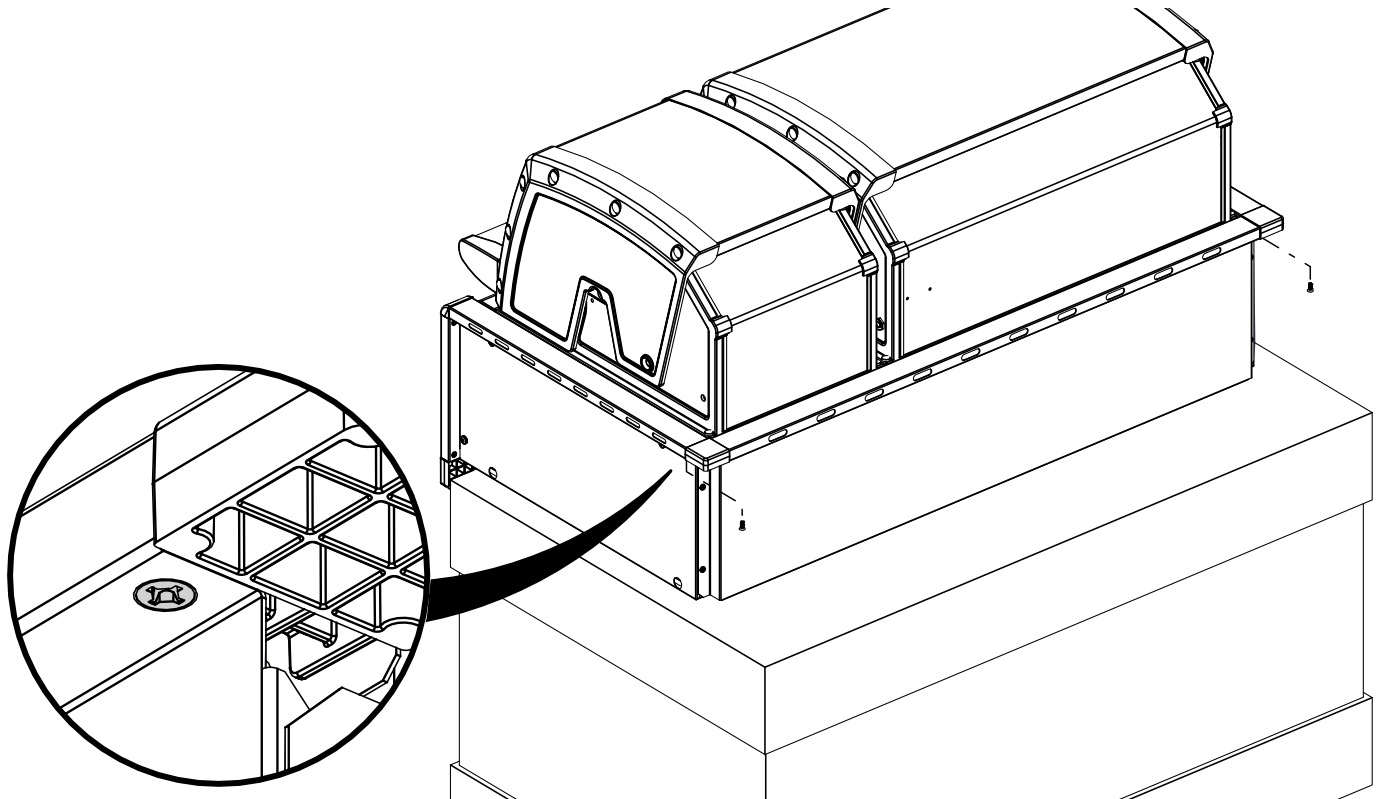
1

(4) 

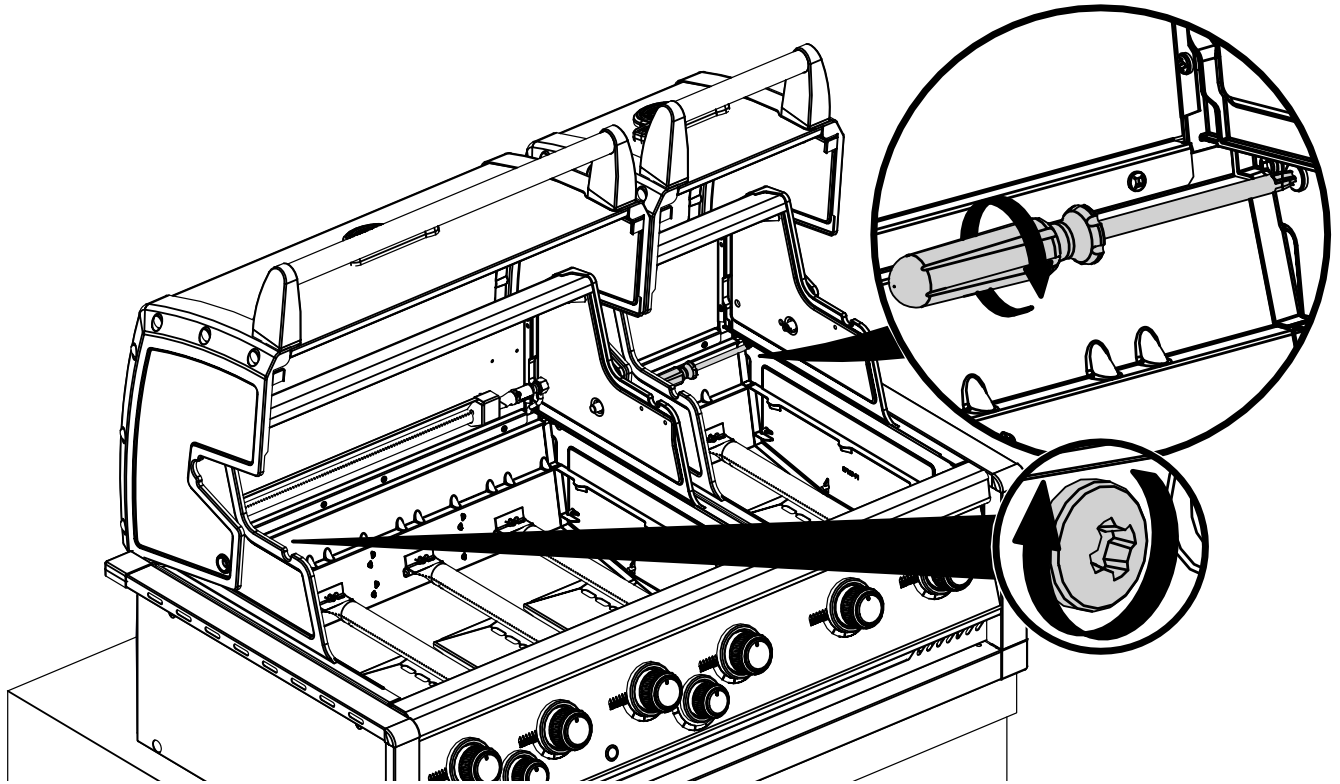


2

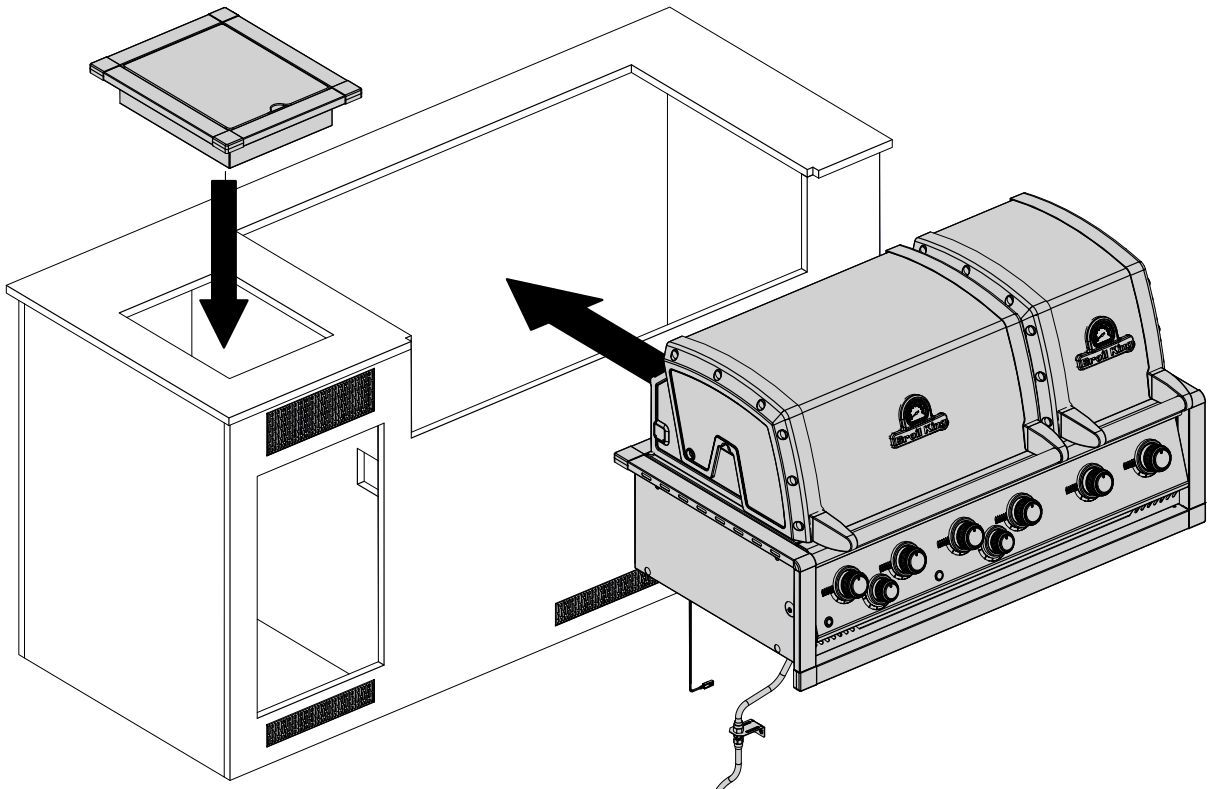
(2) 



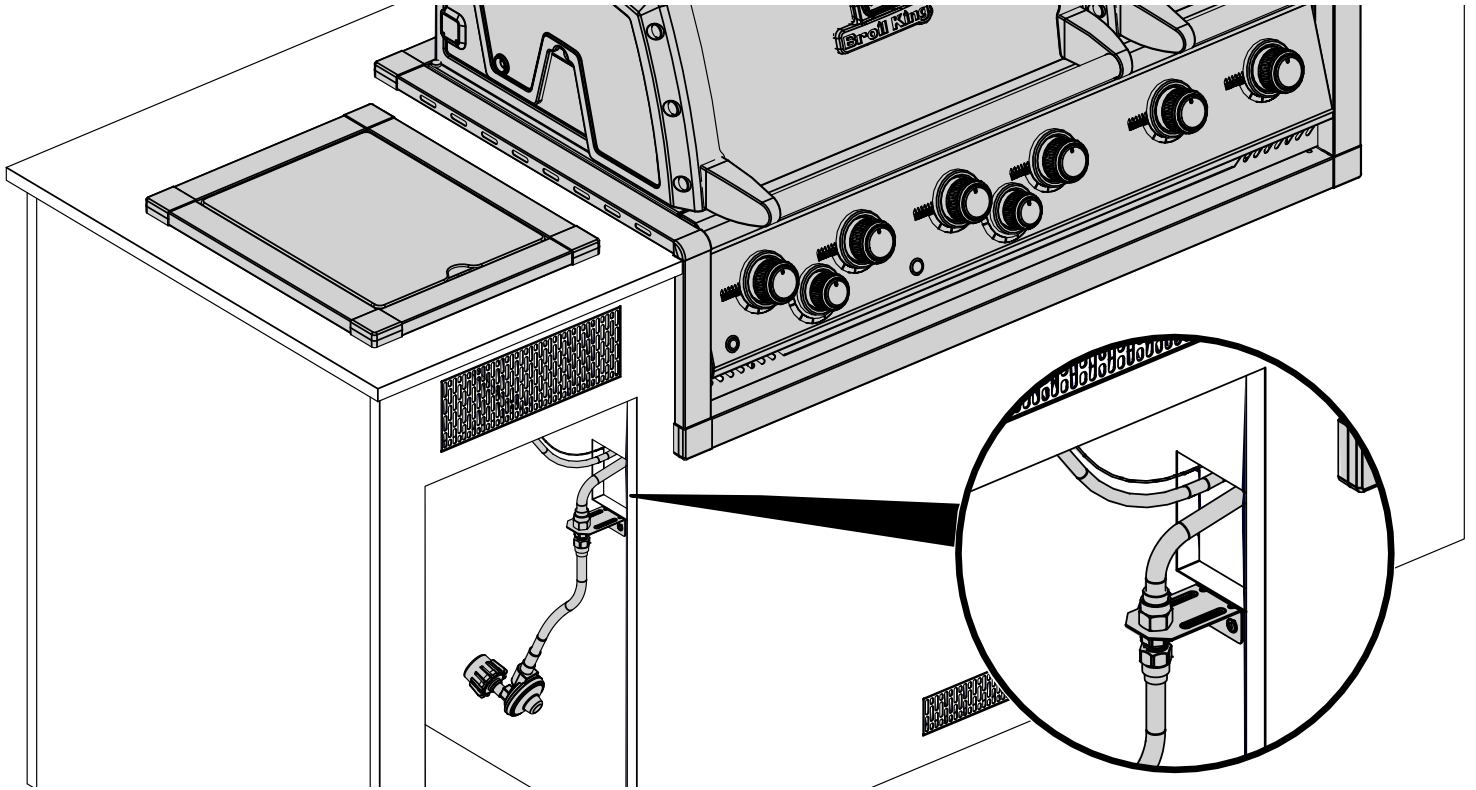
3



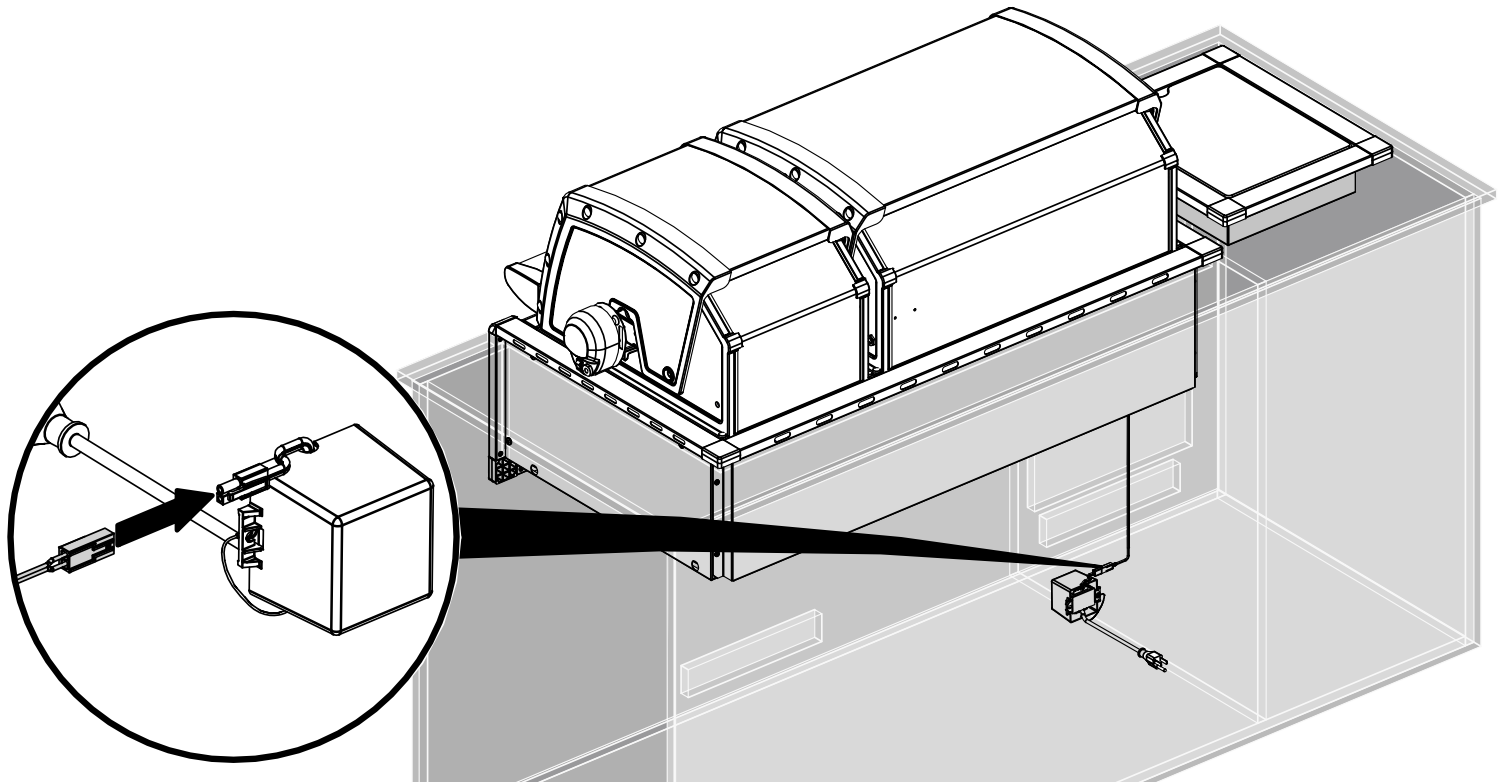
4



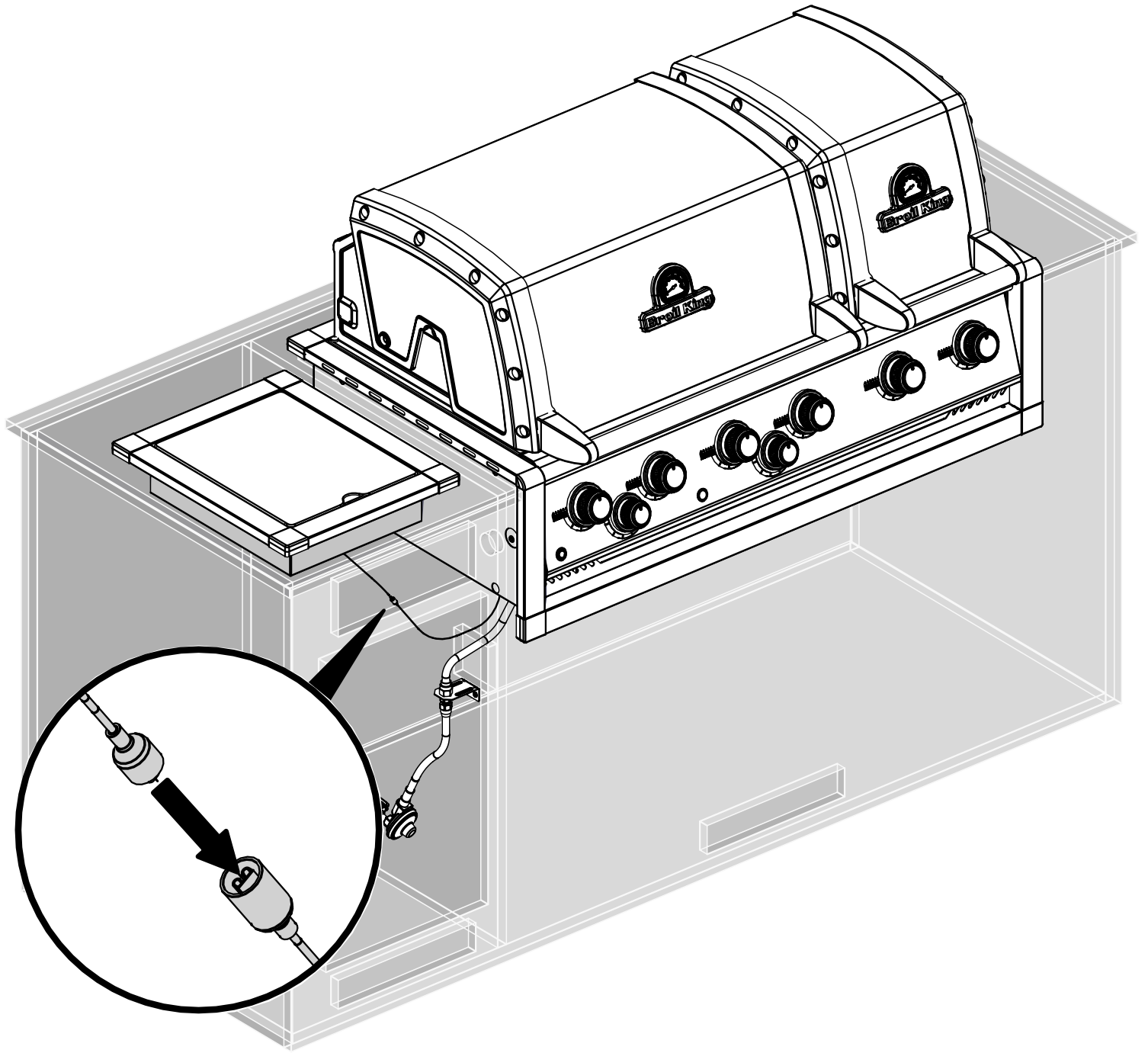
5



6

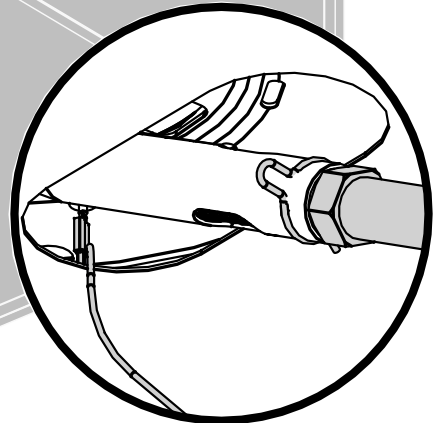
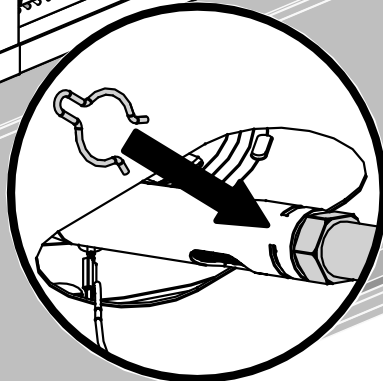
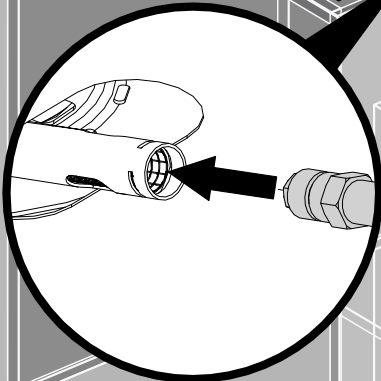
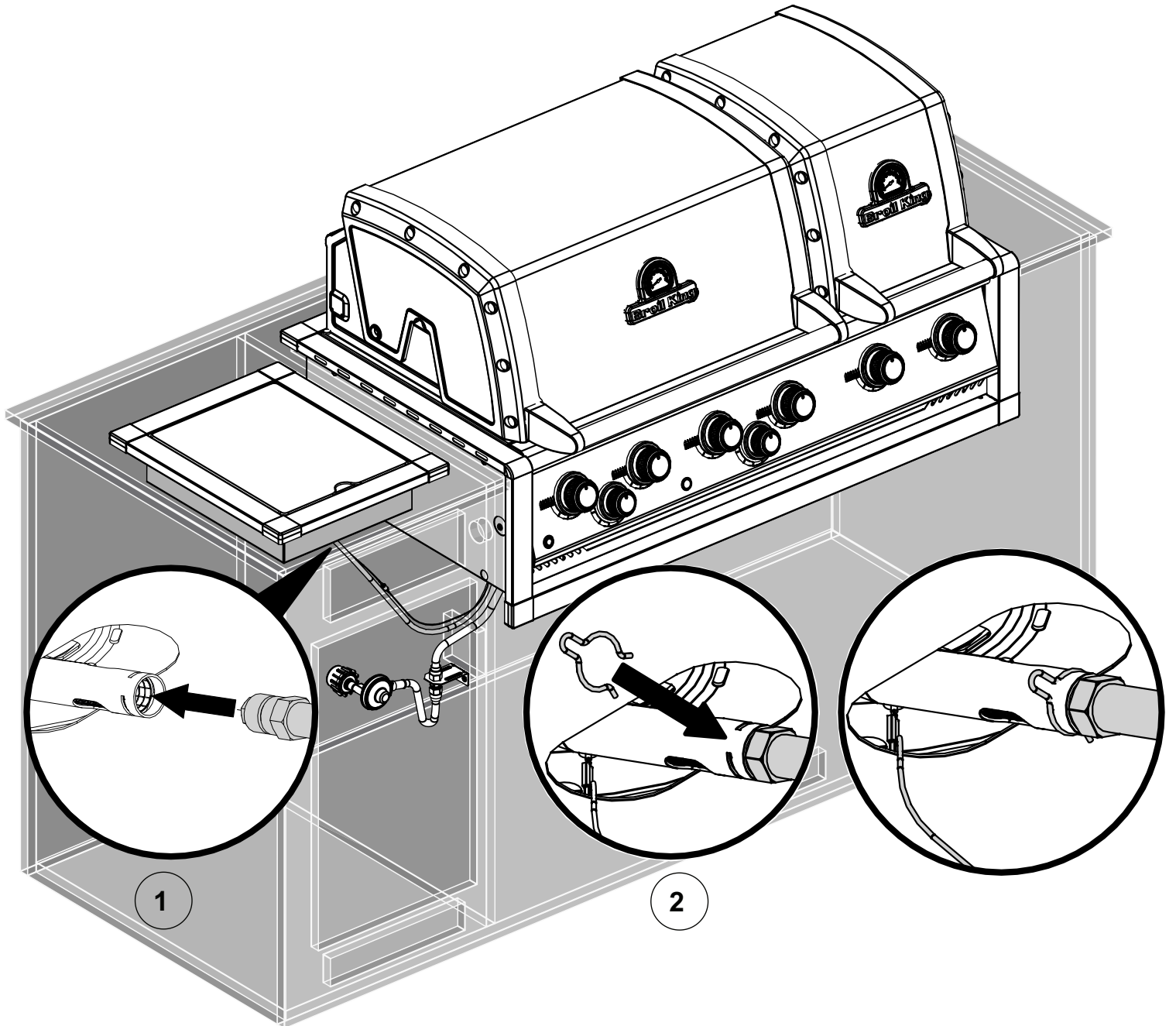
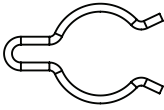


7

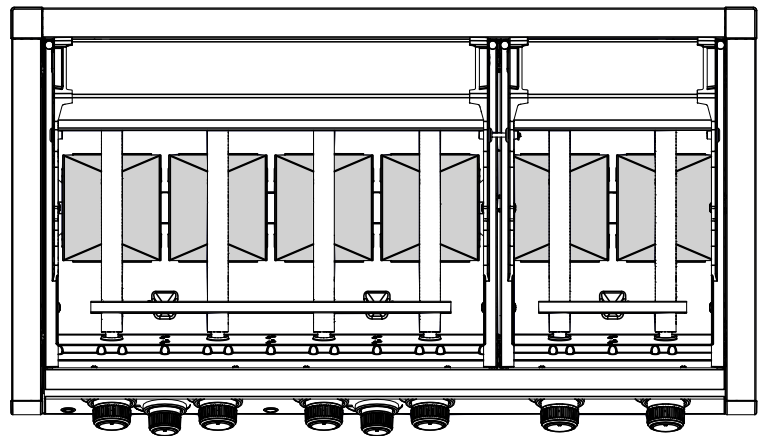
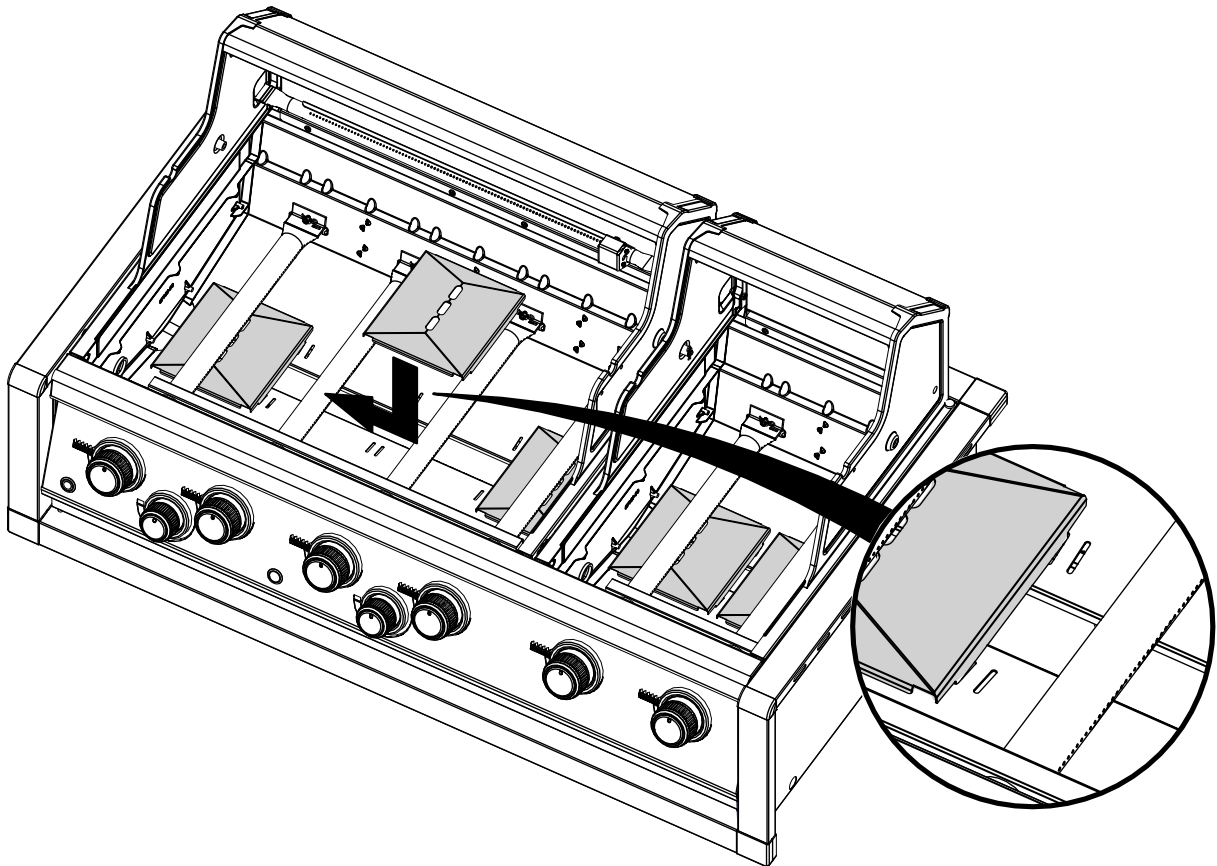
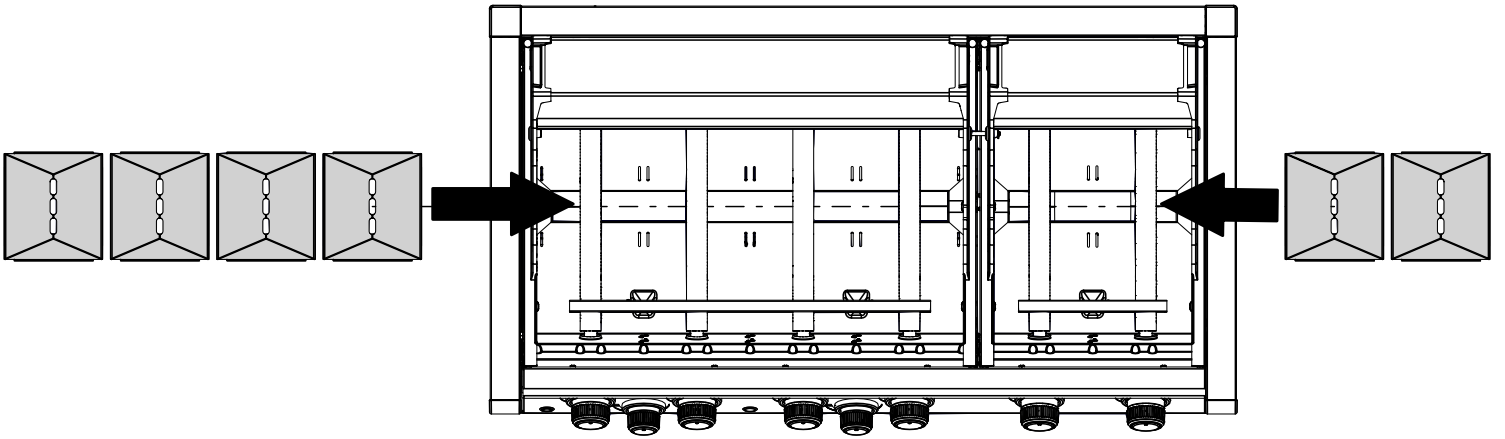


8

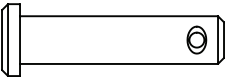
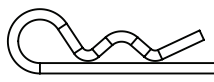
(1)

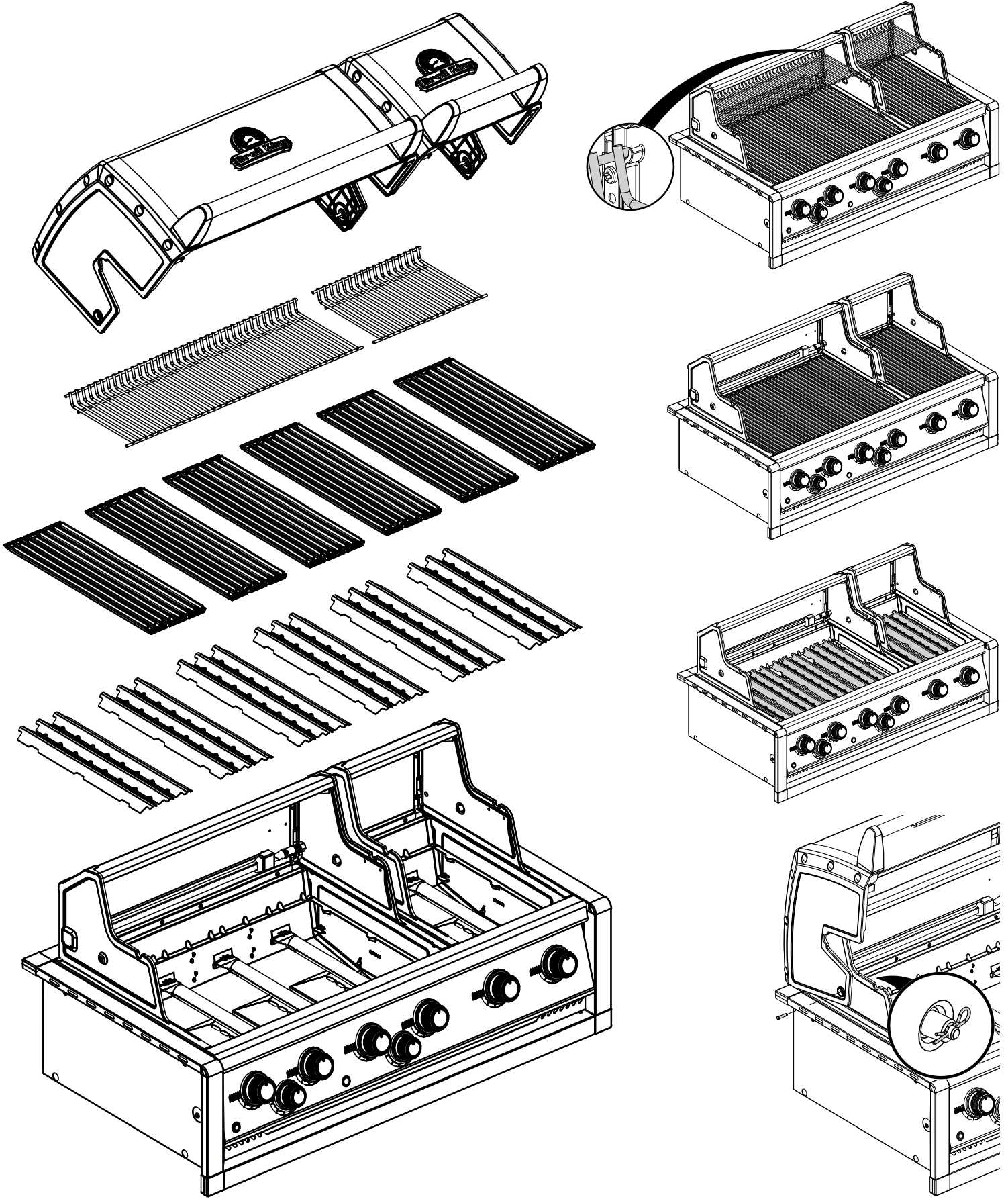


9

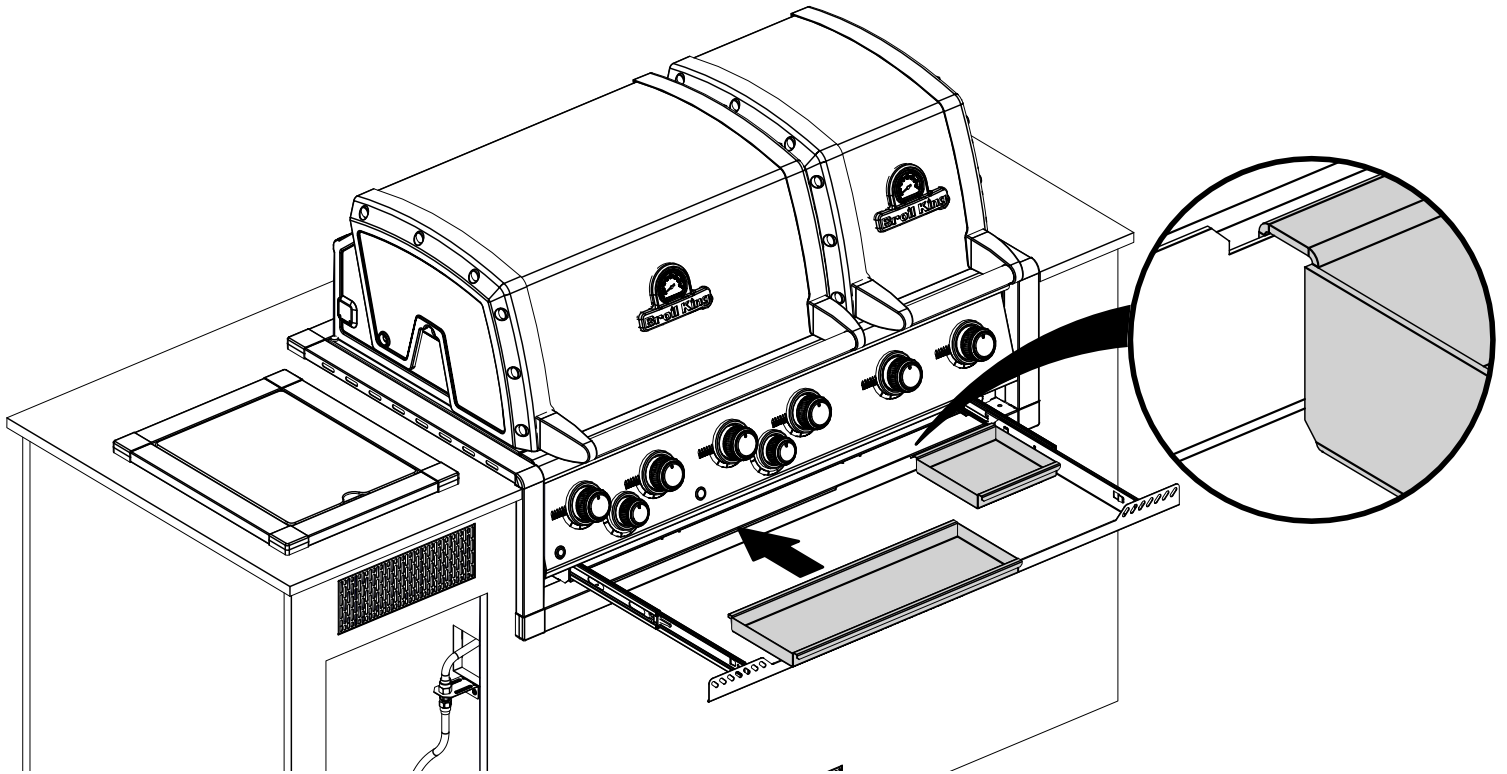


10

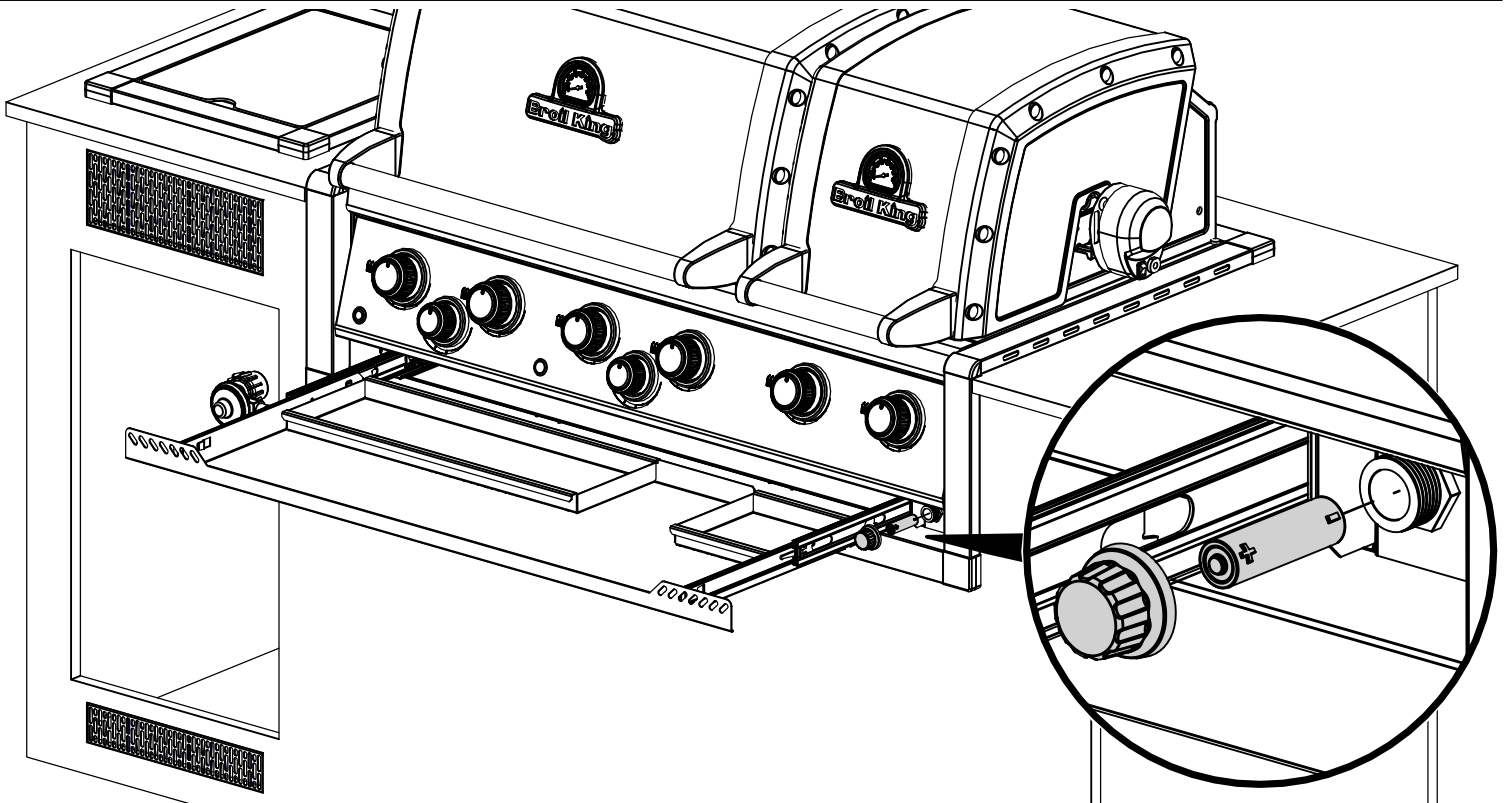
(2)  (2) 



11

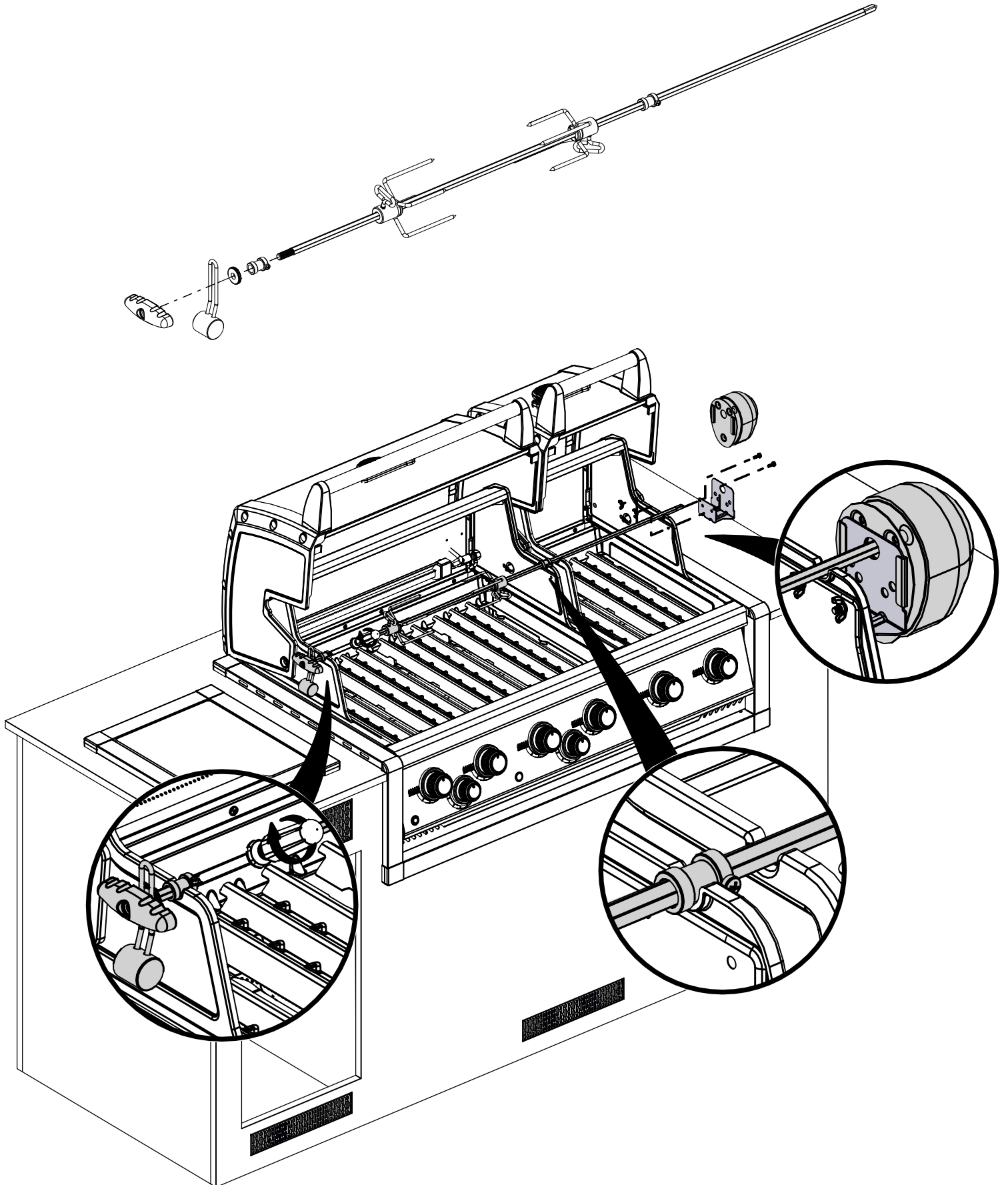


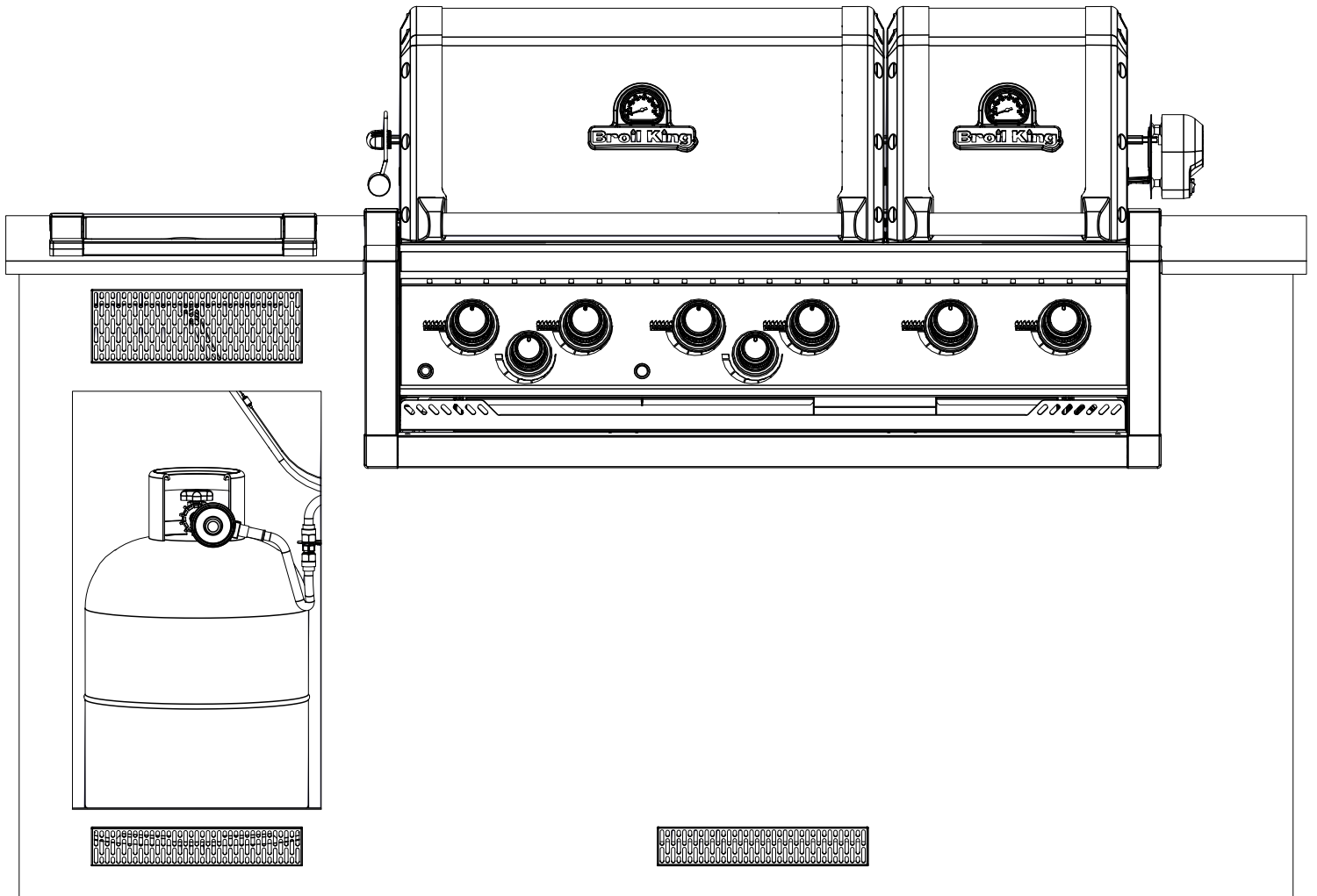
12



13

(2)  (2) 





PARTS LIST

<u>KEY #</u>	<u>ITEM #</u>	<u>DESCRIPTION</u>	<u>9560-82DE</u>	<u>9560-83CH</u> <u>9560-83EU</u> <u>9560-83UK</u>	<u>9560-86CH</u> <u>9560-86DE</u> <u>9560-86EU</u> <u>9560-86UK</u>	<u>9580-82DE</u>	<u>9580-83CH</u> <u>9580-83EU</u> <u>9580-83UK</u>	<u>9580-86CH</u> <u>9580-86DE</u> <u>9580-86EU</u> <u>9580-86UK</u>	<u>9570-82DE</u>	<u>9570-83CH</u> <u>9570-83EU</u> <u>9570-83UK</u>	<u>9570-86CH</u> <u>9570-86DE</u> <u>9570-86EU</u> <u>9570-86UK</u>
1	77005-704	FIRE BOX ASSEMBLY	1	1	1	•	•	•	•	•	•
	77006-704	FIRE BOX ASSEMBLY	•	•	•	1	1	1	•	•	•
	77008-704	FIRE BOX ASSEMBLY	•	•	•	•	•	•	1	1	1
1A	77003-704	FIRE BOX ASSEMBLY	•	•	•	•	•	•	1	1	1
2	86005-304	LID ASSEMBLY - S.S	1	1	1	•	•	•	1	1	1
	86006-304	LID ASSEMBLY - S.S	•	•	•	1	1	1	•	•	•
2A	86003-304	LID ASSEMBLY - S.S	•	•	•	•	•	•	1	1	1
5	27249-904	GREASE SHIELD	4	4	4	5	5	5	6	6	6
7	Y-11544	BURNER SCREW	4	4	4	5	5	5	6	6	6
8	S21242	BURNER CLIP	4	4	4	5	5	5	6	6	6
18	22005-283	CAST STAINLESS STEEL GRID	4	4	4	5	5	5	6	6	6
20	22005-991	GRID - WARMING RACK	1	1	1	•	•	•	1	1	1
	22006-991	GRID - WARMING RACK	•	•	•	1	1	1	•	•	•
20A	22003-991	GRID - WARMING RACK	•	•	•	•	•	•	1	1	1
22	22225-014A	COLLECTOR BOX	1	1	1	•	•	•	1	1	1
	22226-014A	COLLECTOR BOX	•	•	•	1	1	1	•	•	•
22A	22223-014A	COLLECTOR BOX	•	•	•	•	•	•	1	1	1
25	22909-104D	BURNER	4	•	•	5	•	•	6	•	•
	22909-104E	BURNER	•	4	•	•	5	•	•	6	•
	22909-104NGE	BURNER	•	•	4	•	•	5	•	•	6
26	22001-769	CONTROL KNOB	4	4	4	5	5	5	6	6	6
26A	22001-669	CONTROL KNOB	2	2	2	2	2	2	2	2	2
27	22002-264	CONTROL BEZEL	4	4	4	5	5	5	6	6	6
27A	22001-164	CONTROL BEZEL	2	2	2	2	2	2	2	2	2
28	22025-494	CONTROL COVER	1	1	1	•	•	•	•	•	•
	22026-494	CONTROL COVER	•	•	•	1	1	1	•	•	•
	27028-494	CONTROL COVER	•	•	•	•	•	•	1	1	1
32	10111-15A	PIG TAIL HOSE ASSEMBLY	2	2	2	2	2	2	2	2	2
34	S13475-073	HOSE-SIDE BURNER	1	•	•	1	•	•	1	•	•
	S13475-079	HOSE-SIDE BURNER	•	1	•	•	1	•	•	1	•
	S13475-109	HOSE-SIDE BURNER	•	•	1	•	•	1	•	•	1
34A	Y-11230	COTTER PIN	1	1	1	1	1	1	1	1	1
35	29005-072	CONTROL ASSEMBLY	1	•	•	•	•	•	•	•	•
	29005-075	CONTROL ASSEMBLY	•	1	•	•	•	•	•	•	•
	29005-076	CONTROL ASSEMBLY	•	•	1	•	•	•	•	•	•
	29006-072	CONTROL ASSEMBLY	•	•	•	1	•	•	•	•	•
	29006-075	CONTROL ASSEMBLY	•	•	•	•	1	•	•	•	•
	29006-076	CONTROL ASSEMBLY	•	•	•	•	•	1	•	•	•

PARTS LIST

<u>KEY #</u>	<u>ITEM #</u>	<u>DESCRIPTION</u>	<u>9560-82DE</u>	<u>9560-83CH</u> <u>9560-83EU</u> <u>9560-83UK</u>	<u>9560-86CH</u> <u>9560-86DE</u> <u>9560-86EU</u> <u>9560-86UK</u>	<u>9580-82DE</u>	<u>9580-83CH</u> <u>9580-83EU</u> <u>9580-83UK</u>	<u>9580-86CH</u> <u>9580-86DE</u> <u>9580-86EU</u> <u>9580-86UK</u>	<u>9570-82DE</u>	<u>9570-83CH</u> <u>9570-83EU</u> <u>9570-83UK</u>	<u>9570-86CH</u> <u>9570-86DE</u> <u>9570-86EU</u> <u>9570-86UK</u>
157	Y-12835	SCREW - #6-32 X 1/4	2	2	2	2	2	2	2	2	2
158	Y-12646	SCREW - SHOULDER #8 X 1/2	2	2	2	2	2	2	2	2	2
159	S21136	SCREW - #8-32 X 3/8	12	12	12	14	14	14	16	16	16
161	Y-29304	SCREW - #10-24 X 3/8	21	21	21	21	21	21	23	23	23
162	S35095	SCREW - #10-24 X 5/8	2	2	2	2	2	2	2	2	2
167	Y-29301	SCREW - #10-24 X 1/2	20	20	20	20	20	20	20	20	20
169	S21061	WING NUT	2	2	2	2	2	2	2	2	2
171	S15244 (UK)	MOTOR	•	0/0/1	0/0/0/1	•	0/0/1	0/0/0/1	•	0/0/1	0/0/0/1
	S15245 (CH)	MOTOR	•	1/0/0	1/0/0/0	•	1/0/0	1/0/0/0	•	1/0/0	1/0/0/0
	S15246 (EU)	MOTOR	1	0/1/0	0/1/1/0	1	0/1/0	0/1/1/0	1	0/1/0	0/1/1/0
173	S21362	SPRING	1	1	1	1	1	1	1	1	1
181	25070-91	LIGHT SWITCH WIRE	1	1	1	1	1	1	1	1	1
181A	25070-95	LIGHT SWITCH BUTTON	1	1	1	1	1	1	1	1	1
182	25020-71	OVEN LIGHT	2	2	2	2	2	2	3	3	3
184	25080-90CH	TRANSFORMER	•	1/0/0	1/0/0/0	•	1/0/0	1/0/0/0	•	1/0/0	1/0/0/0
	25080-90EU	TRANSFORMER	1	0/1/0	0/1/1/0	1	0/1/0	0/1/1/0	1	0/1/0	0/1/1/0
	25080-90UK	TRANSFORMER	•	0/0/1	0/0/0/1	•	0/0/1	0/0/0/1	•	0/0/1	0/0/0/1
185	25030-72	WIRE - OVEN LIGHT	1	1	1	1	1	1	1	1	1
187	25030-70	WIRE - OVEN LIGHT	•	•	•	•	•	•	1	1	1
188	Y-12865	BOLT 1/4-20 X 1/2	16	16	16	16	16	16	17	17	17
190	25020-83	WIRE - LED LIGHT	1	1	1	•	•	•	•	•	•
	25020-84	WIRE - LED LIGHT	•	•	•	1	1	1	1	1	1
191	25020-83	WIRE - LED LIGHT	1	1	1	1	1	1	•	•	•
	25020-84	WIRE - LED LIGHT	•	•	•	•	•	•	1	1	1

