

Broil King®



Broil King Imperial™

590
9588-82
9588-83

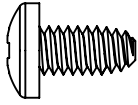
Onward
MANUFACTURING COMPANY
585 KUMPF DRIVE LIMITED
WATERLOO, ONTARIO, CANADA
N2V 1K3

SINCE 1906

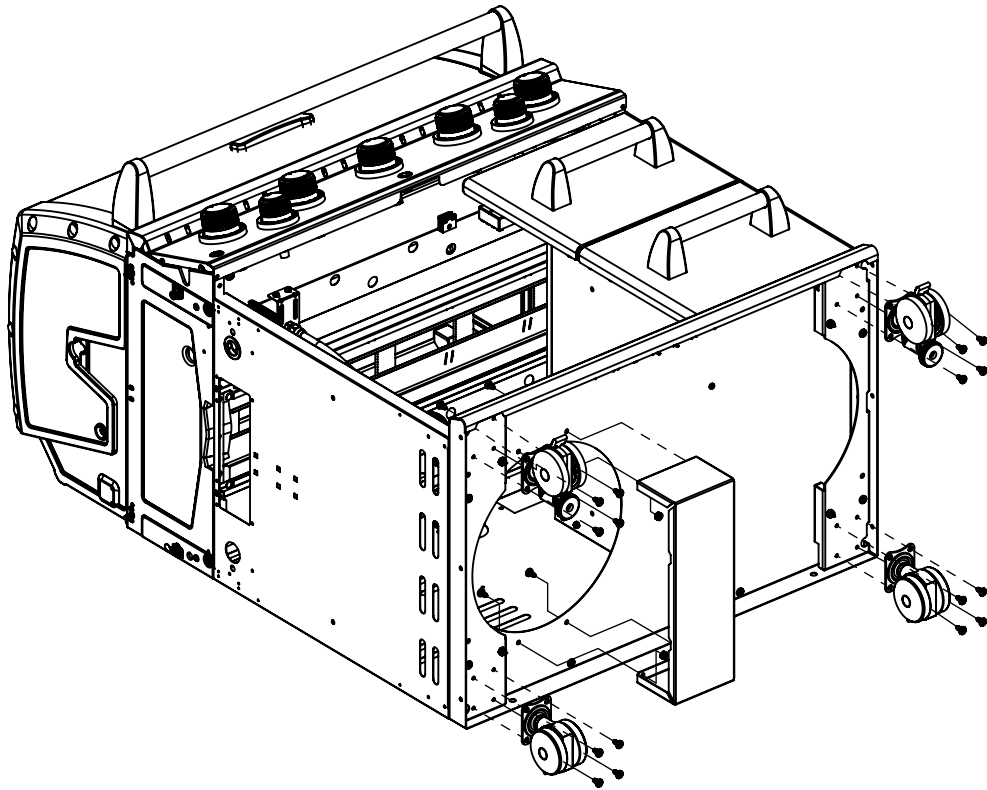
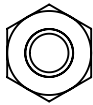
20084-E86EU REV F 10/16

1

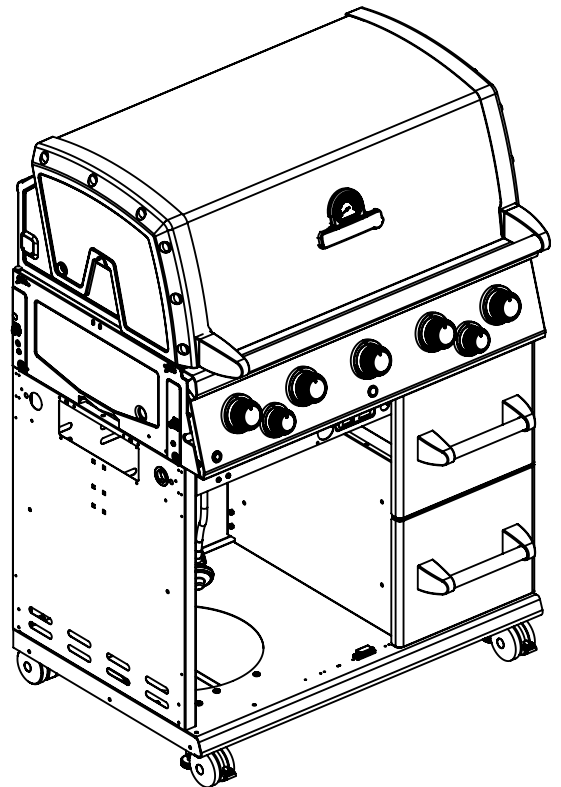
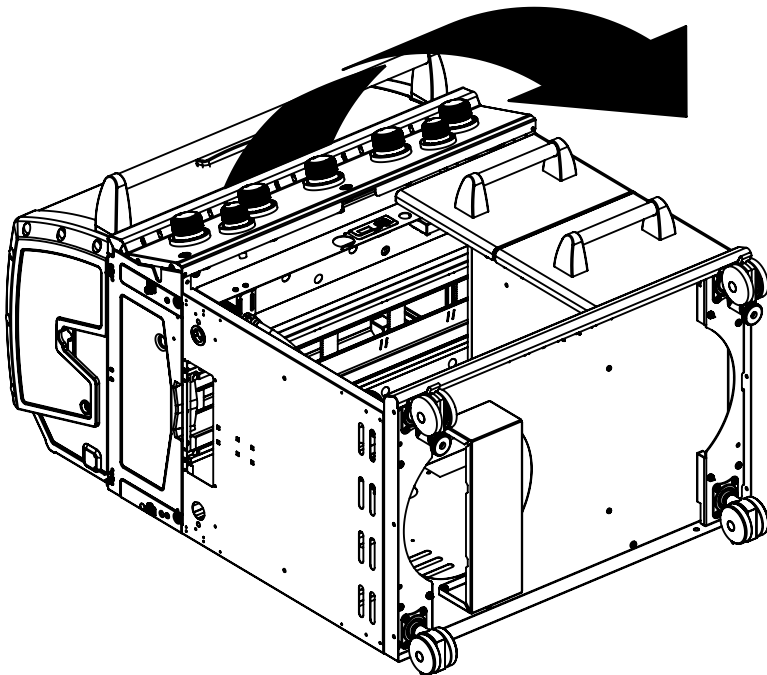
(20)



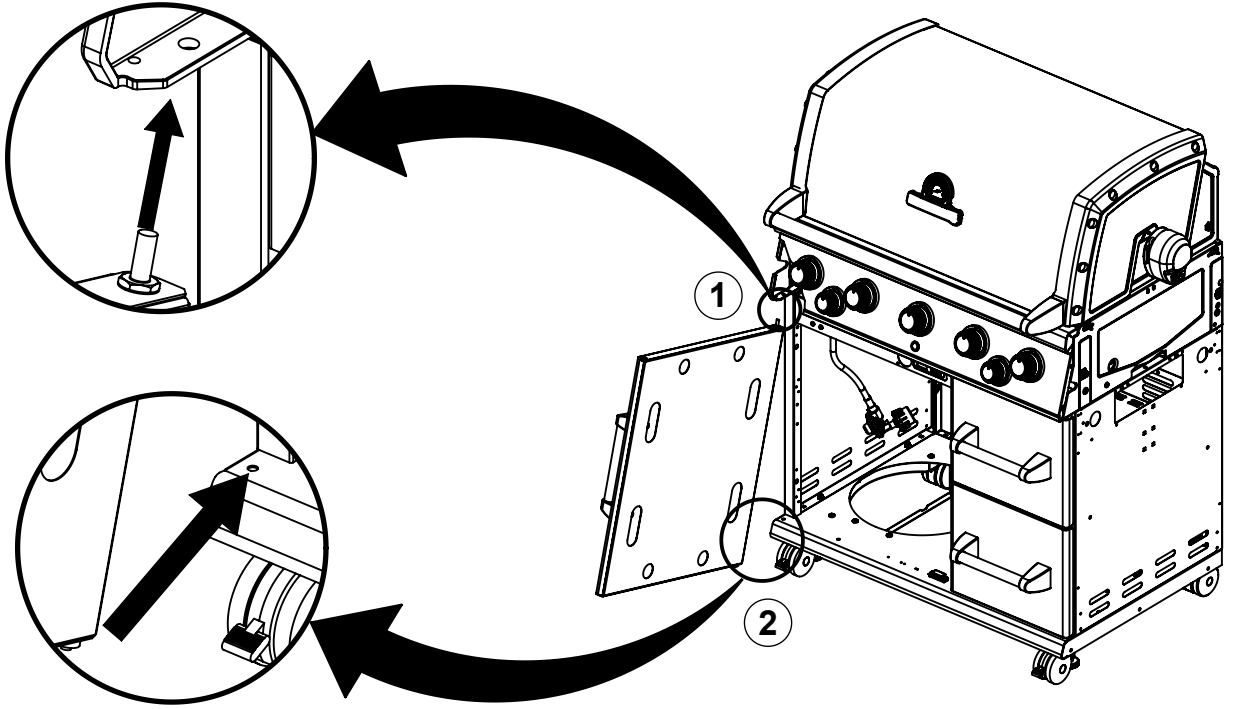
(4)



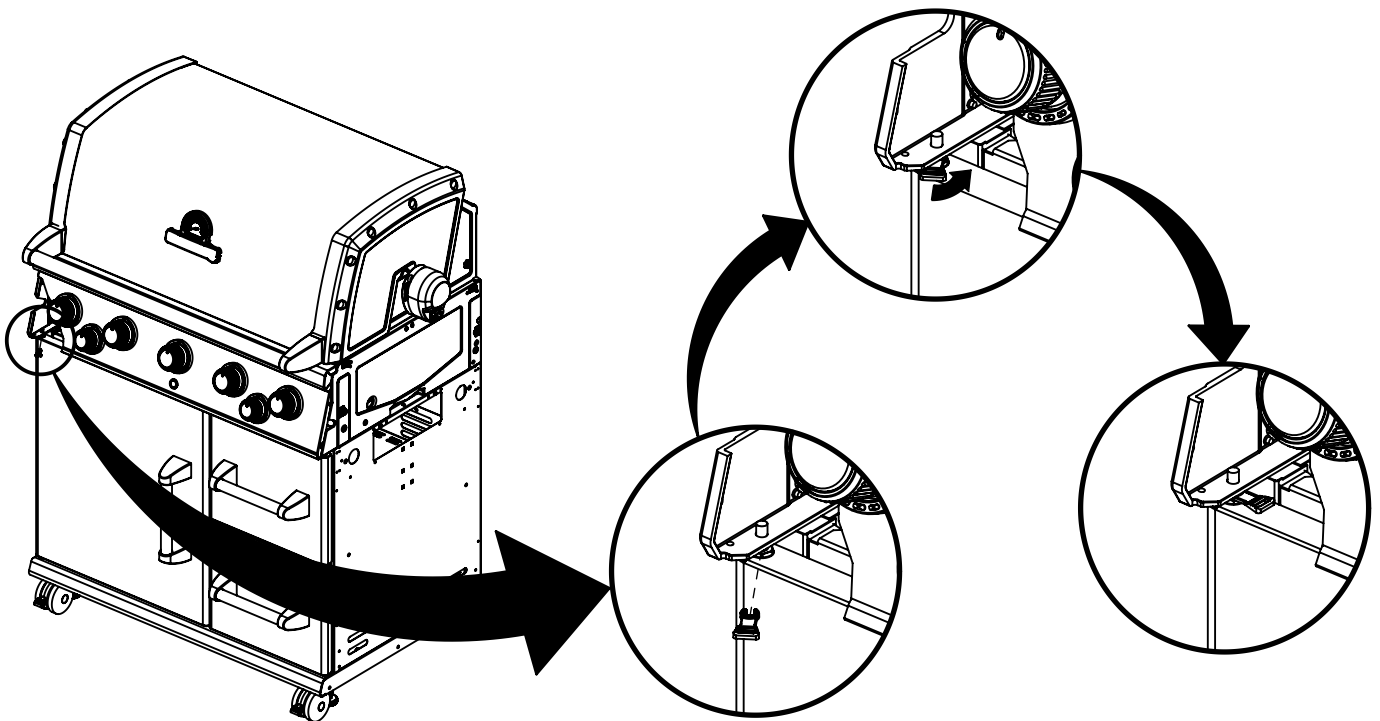
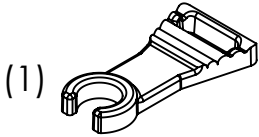
2



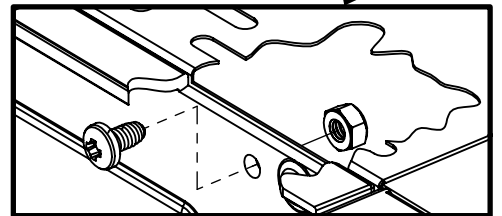
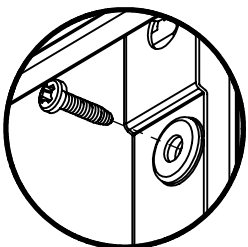
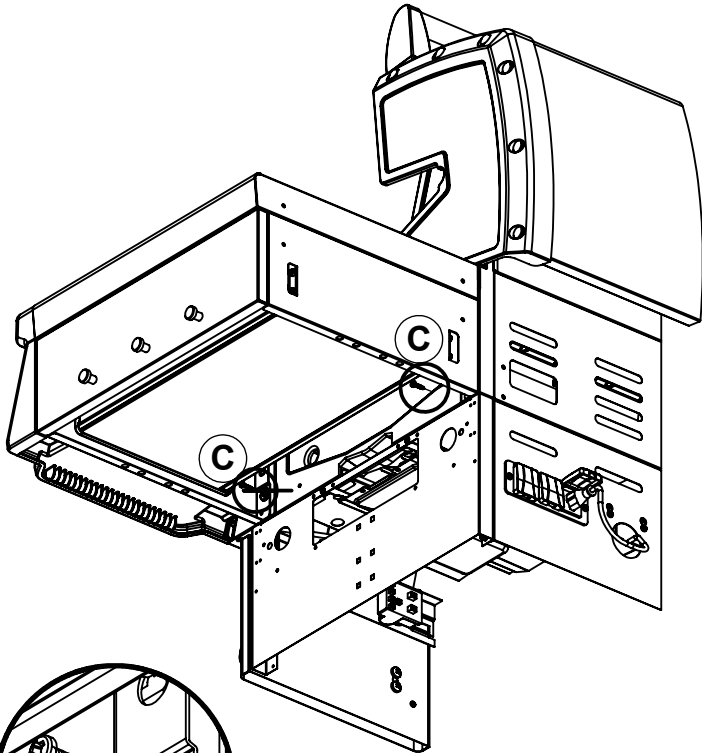
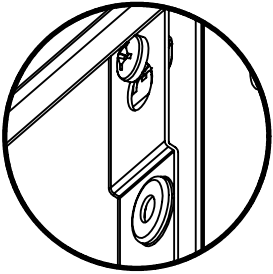
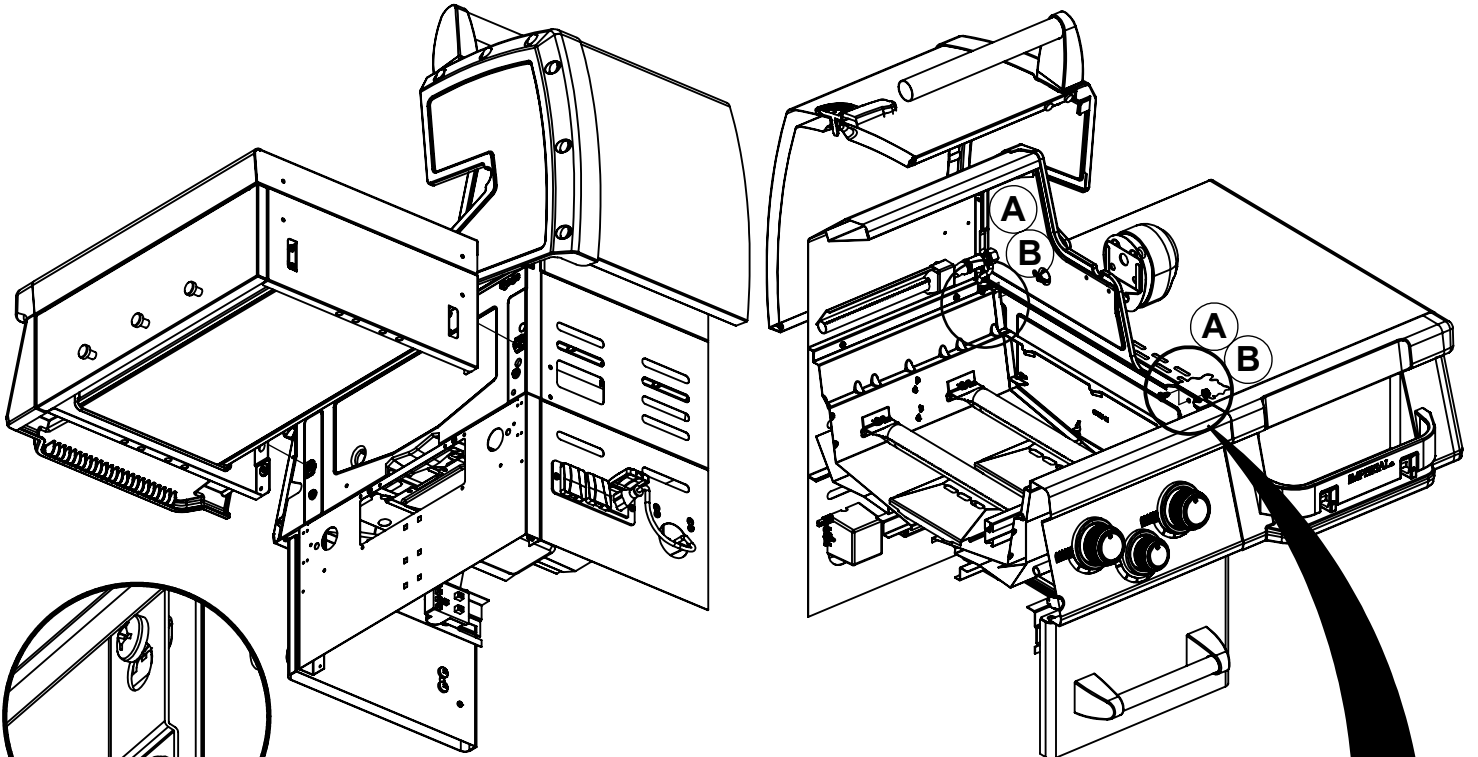
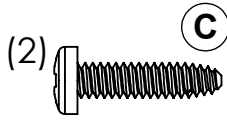
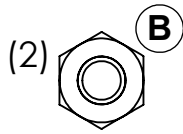
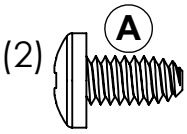
3



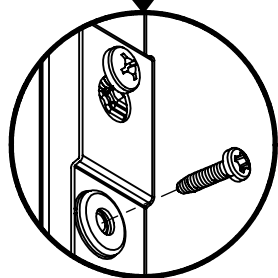
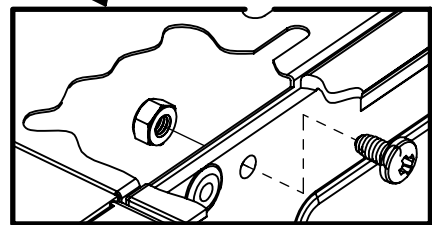
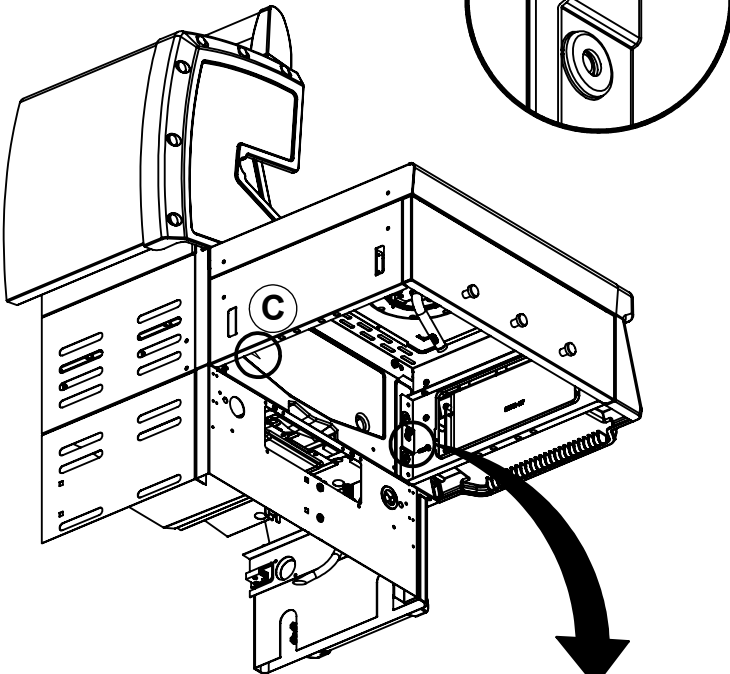
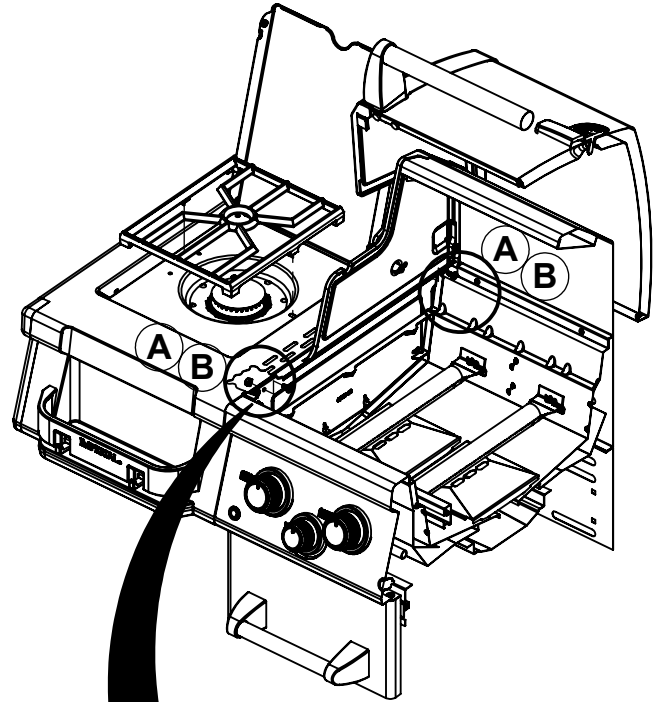
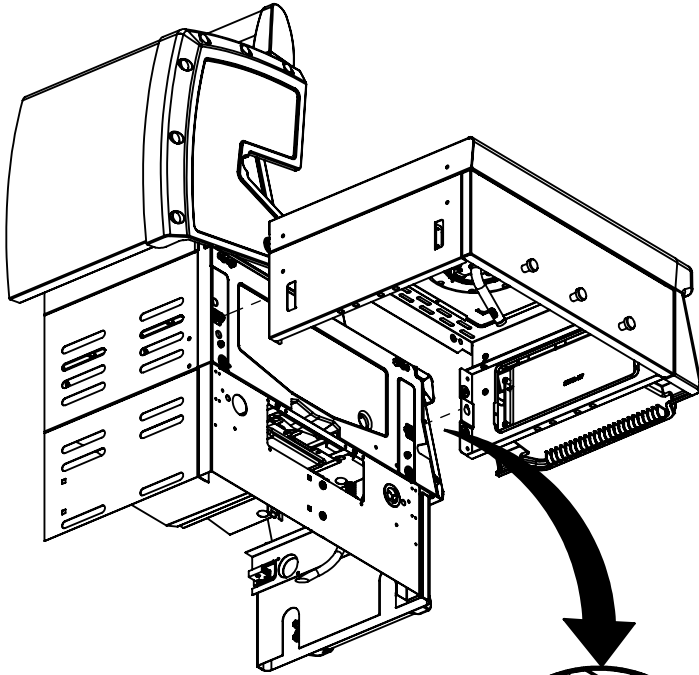
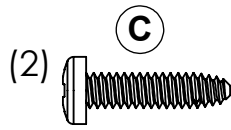
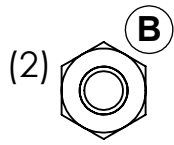
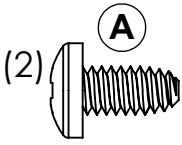
4



5

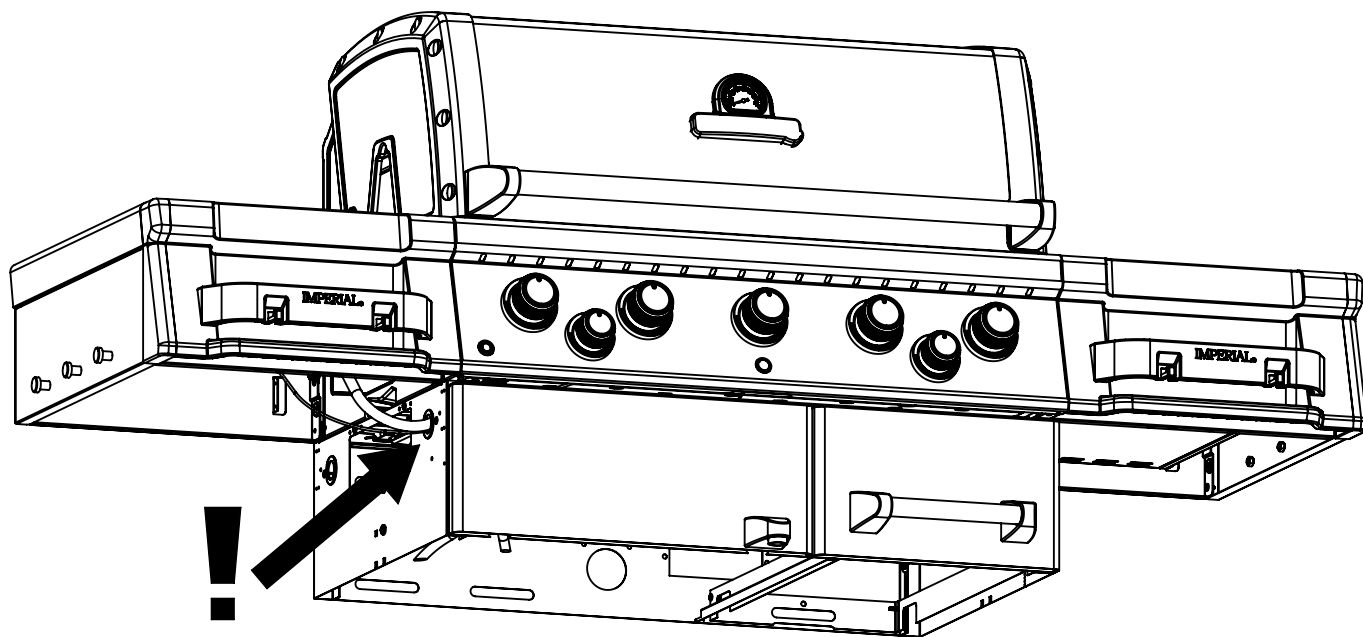
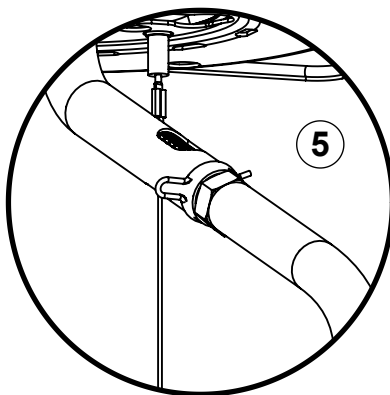
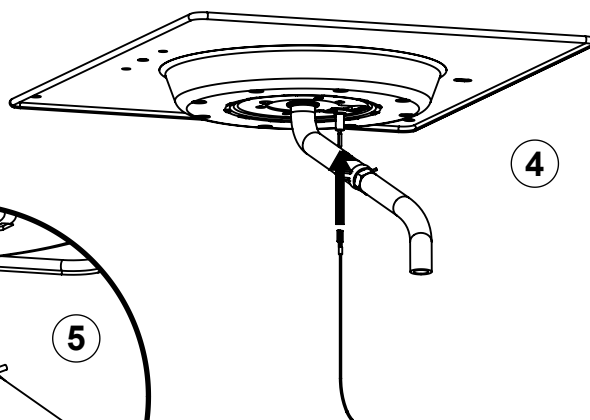
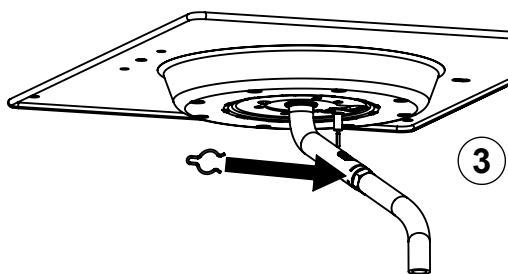
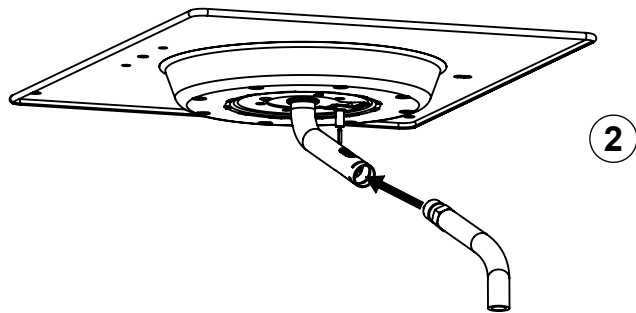
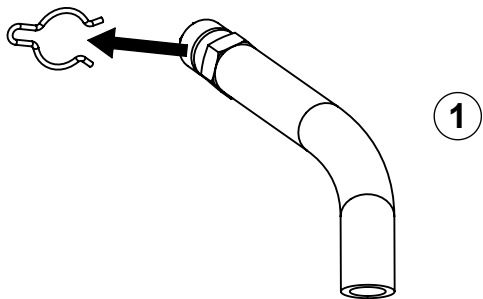
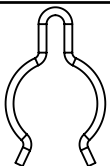


6

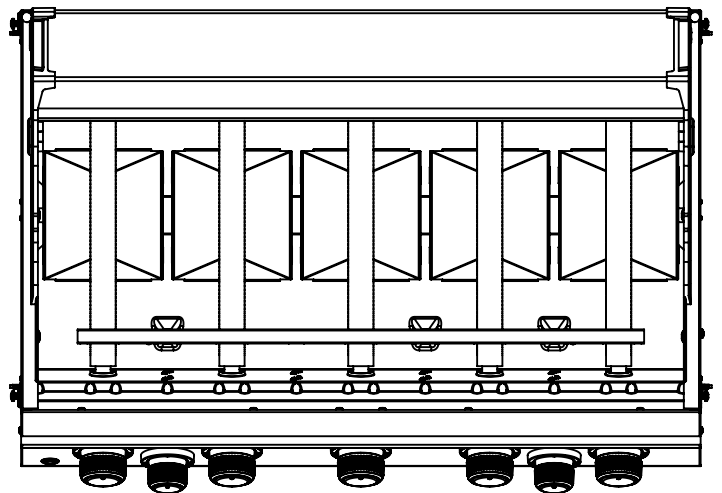
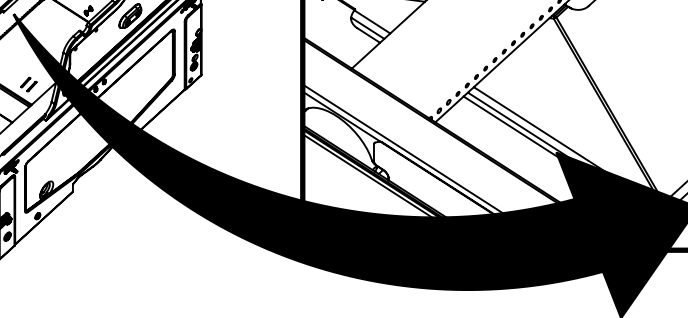
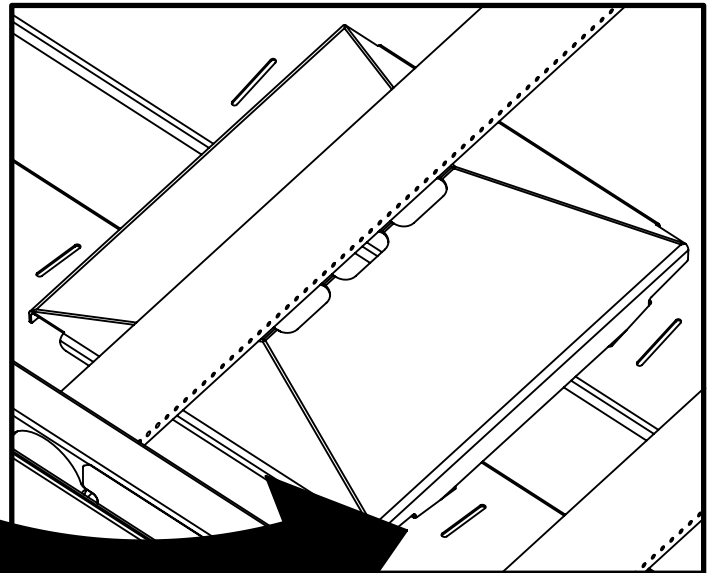
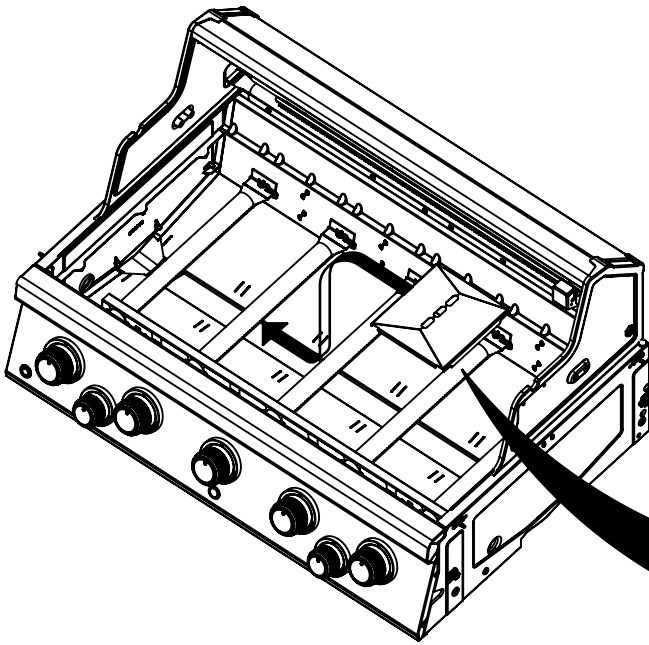
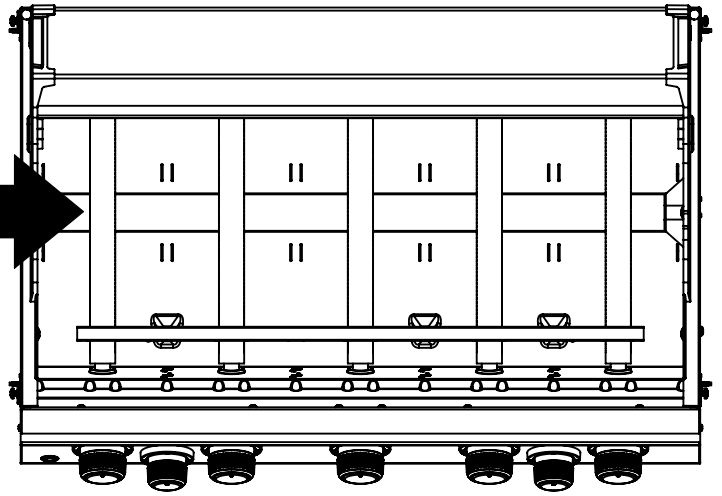
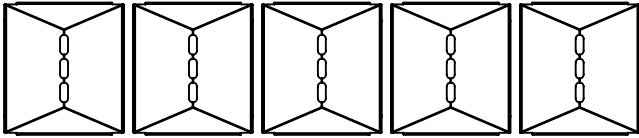


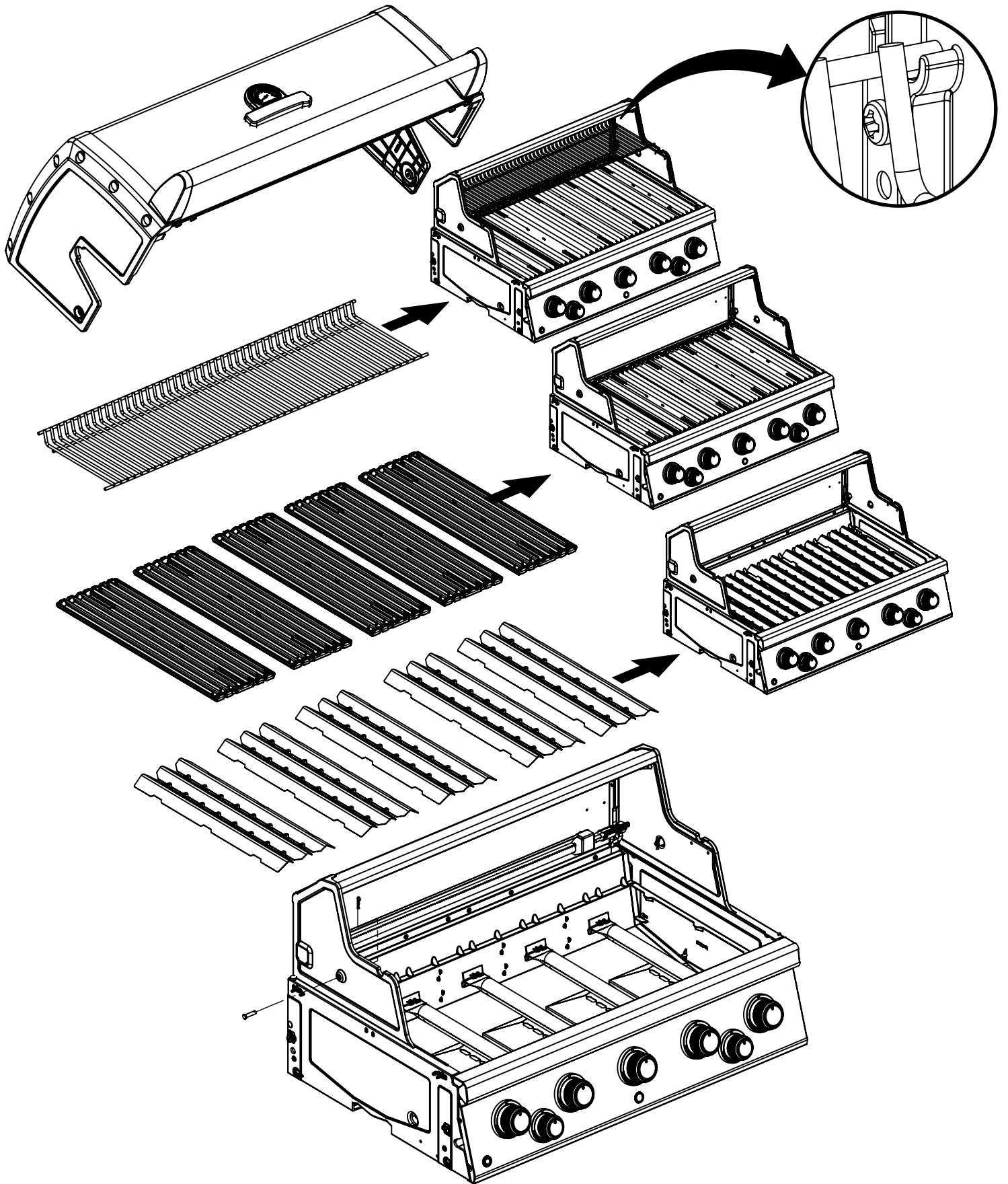
7

(1)

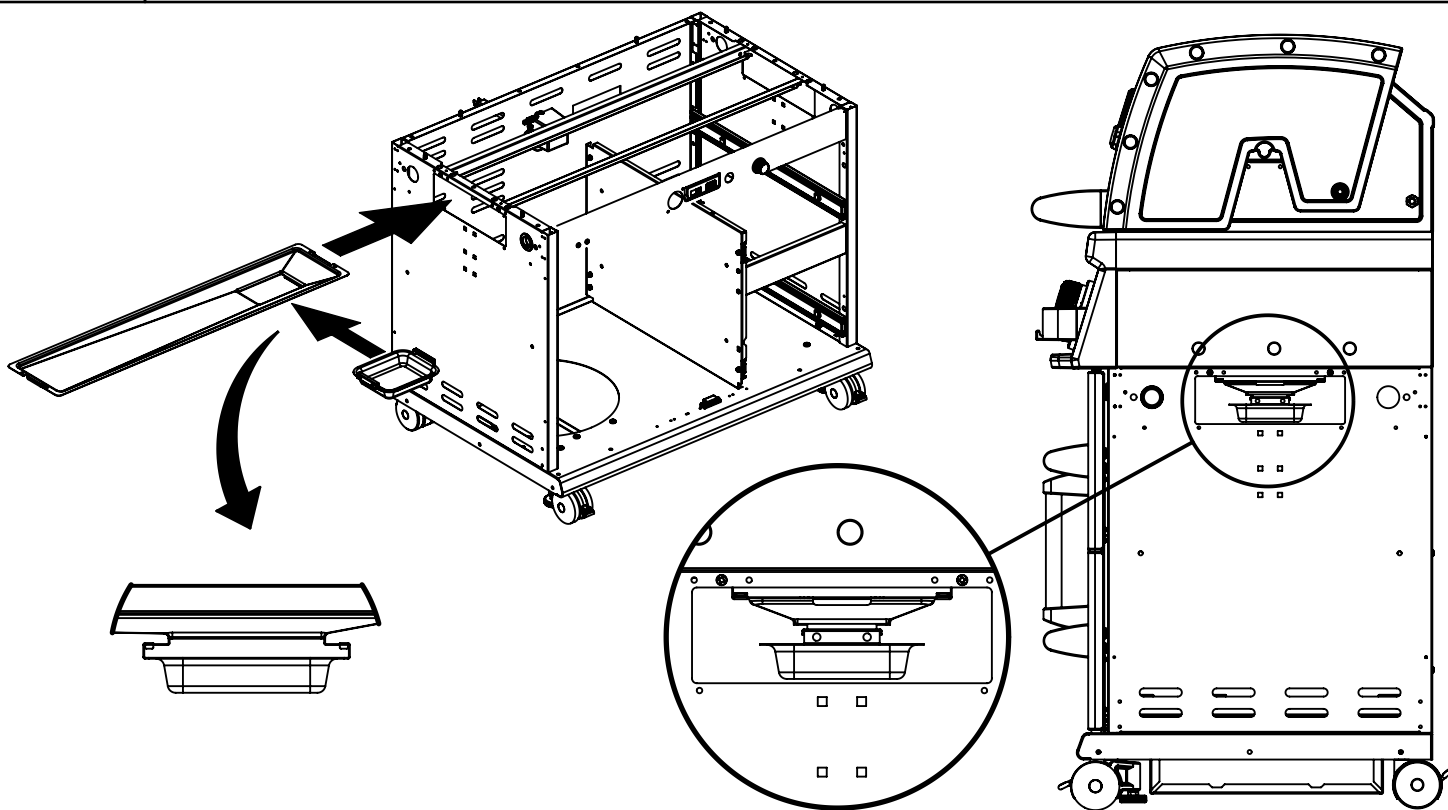


8

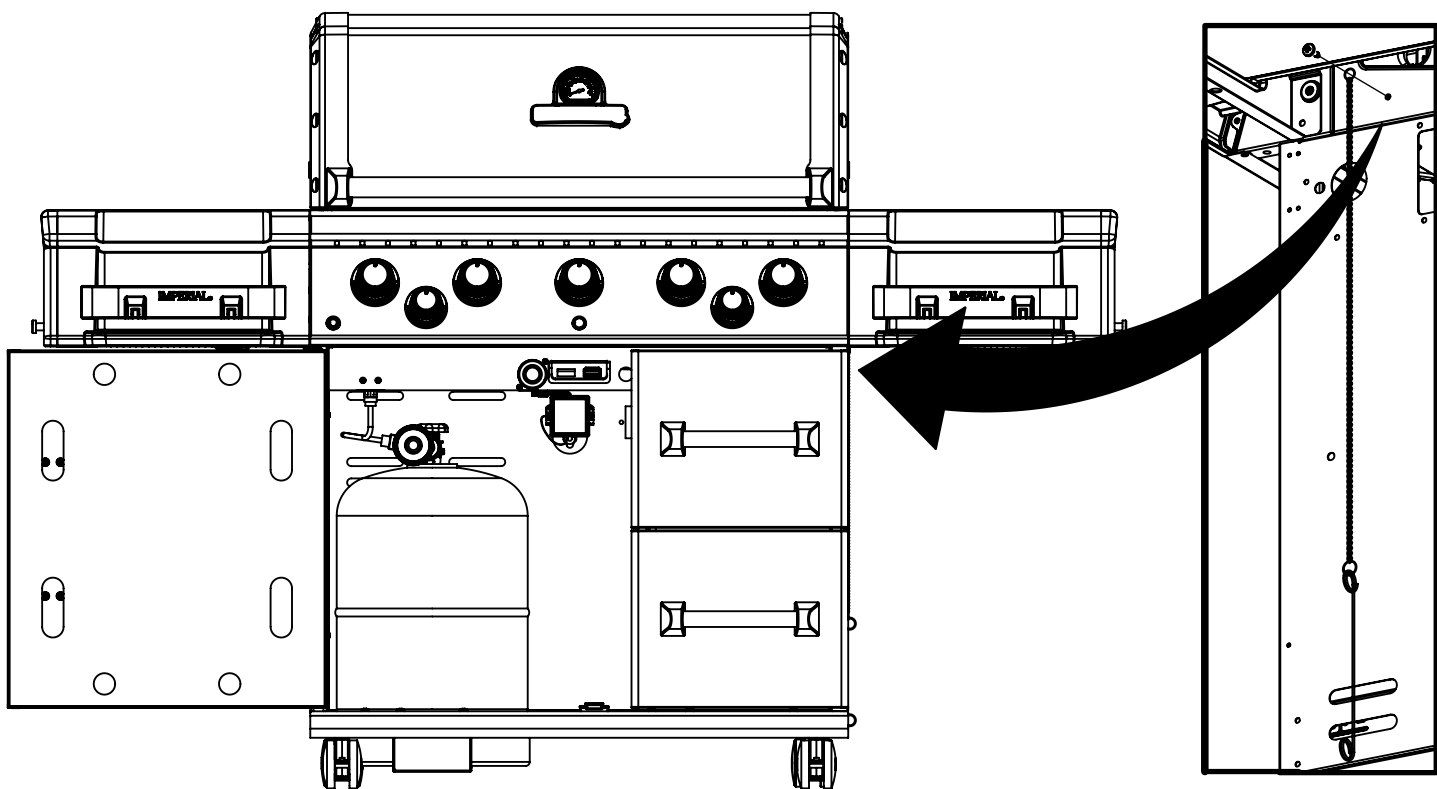




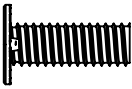
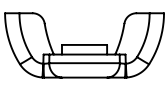
10

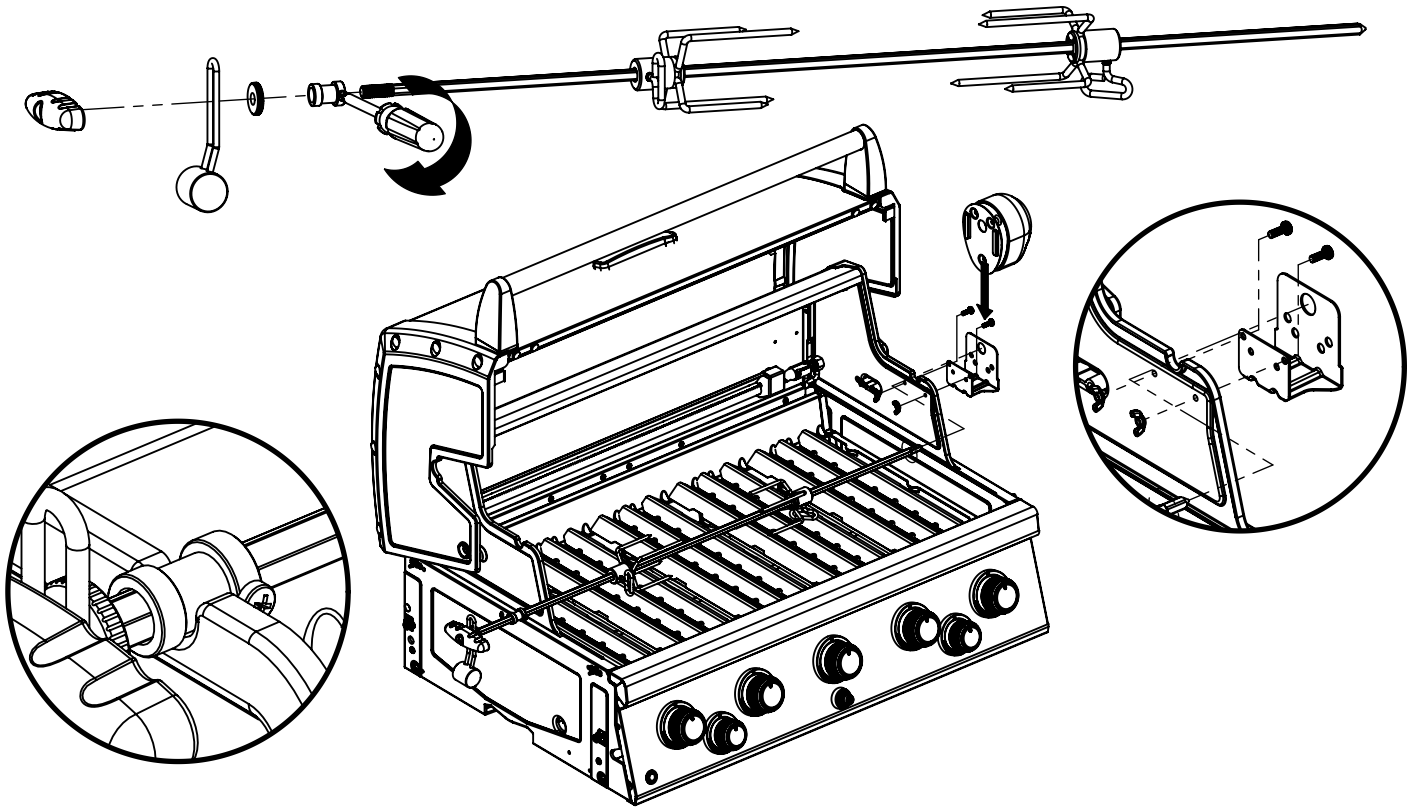


11

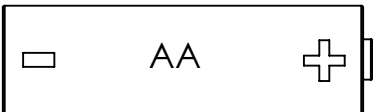


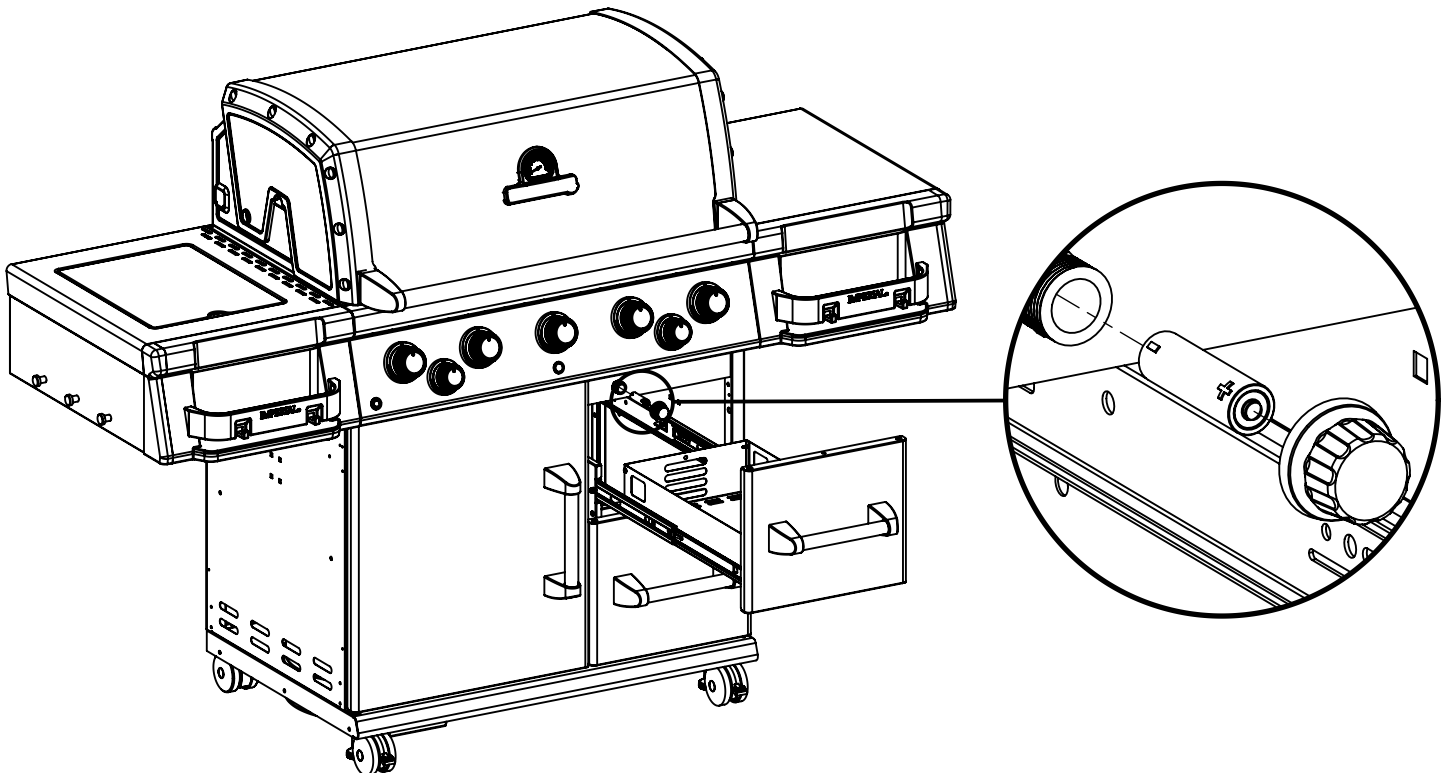
12

(2)  (2) 



13

(1) 



PARTS LIST / LISTE DES PIECES

<u>KEY #</u>	<u>ITEM #</u>	<u>DESCRIPTION</u>	<u>9588-82DE</u>	<u>9588-83EU</u>	<u>9588-83UK</u>
1	87109-931	PANEL - SIDE LEFT	1	1	1
2	87109-911	PANEL - SIDE RIGHT	1	1	1
3	27206-014	PANEL - FRONT INNER	1	1	1
4	27206-924R	PANEL - INNER REAR	1	1	1
5	27249-904	GREASE SHIELD	5	5	5
6	27006-91	HEAT SHIELD	3	3	3
7	Y-11544	BURNER SCREW	5	5	5
8	S21242	BURNER CLIP	5	5	5
10	82306-021R	PANEL - REAR COOKBOX	1	1	1
12	82316-021	PANEL - HOOD	1	1	1
13	27036-701	PANEL - LIGHTS	1	1	1
18	22005-283	GRID - CAST SS	5	5	5
20	22006-991	GRID - WARMING RACK	1	1	1
22	22226-014	COLLECTOR BOX - LOWER	1	1	1
24	22216-014	COLLECTOR BOX - UPPER	1	1	1
25	22909-104E	BURNER	5	5	5
26	22001-769	CONTROL KNOB	5	5	5
26A	22001-669	CONTROL KNOB	2	2	2
27	22002-264	CONTROL BEZEL	5	5	5
27A	22001-164	CONTROL BEZEL	2	2	2
28	22026-494	CONTROL COVER	1	1	1
32	10111-15A	SS HOSE ASSEMBLY	1	1	1
34	S13473-079	HOSE-SIDE BURNER	1	1	1
34A	Y-11230	HAIR PIN -COTTER	1	1	1
35	29006-075	CONTROL ASSEMBLY	1	1	1
36	10342-T41	ELECTRODE - SIDE BURNER	1	1	1
37	20809-957	TUBE-REAR BURNER ASSY	1	1	1
38	Y-11990	HEX NUT	1	1	1
43	10342-E13	ELECTRODE	2	2	2
43A	10342-E22	ELECTRODE	1	1	1
44	10342-45	ELECTRONIC IGNITOR	1	1	1
44A	25070-93	IGNITOR BUTTON	1	1	1
44B	25070-92	IGNITOR HARNESS	1	1	1
47	21036-991	GREASE RAIL	2	2	2
48	22009-901	GREASE PAN	1	1	1
49	27056-901	GREASE TRAY	1	1	1
51	22209-904	FLAV-R-WAVE ®	5	5	5
52	86101-631	SIDE PANEL - LEFT	1	1	1
53	86101-611	SIDE PANEL - RIGHT	1	1	1
54	86306-614	LID - OUTER PANEL	1	1	1
55	86206-61	LID - INNER PANEL	1	1	1
56	24006-239	HANDLE	1	1	1
58	26009-917	HANDLE END CAP	2	2	2
58A	24009-938	HANDLE STANDOFF	2	2	2
59	10081-BK630	NAMEPLATE	1	1	1
60	10571-6	HEAT INDICATOR	1	1	1
65	20005-000	MATCH LIGHT - STICK	1	1	1
68	21172-234A	DOOR	1	1	1
70	21079-906	HANDLE END CAP	6	6	6
71	21171-23	HANDLE - SMALL	3	3	3
74	Y-99100	DRAWER SLIDE	3	3	3
75	21365-904	DRAWER FRONT - OUTER	2	2	2
76	21265-901	DRAWER FRONT - INNER	2	2	2
77	21269-901	DRAWER	3	3	3
78	21336-111	BRACKET - DOOR CATCH	1	1	1
80	21109-905R	SIDE PANEL	2	2	2
83	21065-901R	DRAWER CENTER MOUNT	1	1	1
84	21069-901	DRAWER SUPPORT	1	1	1
88	21306-925R	PANEL - REAR	1	1	1
90	51096-935	BASE	1	1	1
100	21039-911	CASTOR BRACKET	2	2	2
101	21039-301	TANK BRACKET	1	1	1
102	10892-23	CASTOR	2	2	2
102A	10892-285	CASTOR	2	2	2
110	23729-351	SHELF SUPPORT	2	2	2
111	23729-341	SHELF SUPPORT	2	2	2
112	23512-431	SHELF FRONT	1	1	1
113	23512-411	SHELF FRONT	1	1	1
114	23102-614	SHELF	1	1	1
115	23102-654	SHELF-SIDEBURNER	1	1	1

PARTS LIST / LISTE DES PIECES

<u>KEY #</u>	<u>ITEM #</u>	<u>DESCRIPTION</u>	<u>9588-82DE</u>	<u>9588-83EU</u>	<u>9588-83UK</u>
117	23002-205	SHELF STRAP	2	2	2
120	23729-614	SHELF SUPPORT	2	2	2
124	23000-271	SHELF-SIDE BURNER	1	1	1
125	23000-254	COVER-SIDE BURNER	1	1	1
126	10390-R81A	SIDE BURNER	1	1	1
128	23009-99	GRID	1	1	1
130	27906-354E	BURNER ROTISSERIE	1	1	1
131	10693-102	REAR BURNER ORIFICE	1	1	1
133	S15271	HANDLE	1	1	1
134	S15270	BALANCER	1	1	1
135	S15299	WASHER	1	1	1
136	S15263	BUSHING	1	1	1
137	S15259	SPIT ROD	1	1	1
138	S15287	4 PRONG FORKS	1	1	1
139	57039-901	ROTISSERIE BRACKET	1	1	1
140	S21125	SCREW #8 X 1/2	31	31	31
141	Y-12310	SCREW 1/4-20 X 3/4	4	4	4
143	Y-12855	SCREW 1/4-20 X 3/8	24	24	24
144	Y-12220	BUSHING	1	1	1
145	S21235	HINGE PIN	2	2	2
146	S21233	HITCH PIN CLIP	2	2	2
147	Y-11231	LID BUMPER	2	2	2
148	10240-20	DOOR PIN	1	1	1
149	10240-19	DOOR PIN	1	1	1
150	Y-12124	DOOR PIN CAP	1	1	1
151	Y-11567	SCREW M8 SHOULDER	8	8	8
152	Y-12222	MAGNET	1	1	1
153	Y-12223	SNAP IN MAGNET	1	1	1
154	Y-11560	SCREW 1/4-20 X 1-1/2	8	8	8
155	S21124	SCREW #8 X 1/2	46	46	46
156	Y-11793	NUT 1/4-20	30	30	30
157	Y-12835	SCREW #6-32 X 1/4	2	2	2
158	Y-12646	SCREW - SHOULDER #8 X 1/2	2	2	2
159	S21136	SCREW #8-32 X 3/8	26	26	26
160	Y-29304	SCREW #10-24 X 3/8	50	50	50
161	Y-29310	SCREW #10-24 X 3/4	2	2	2
163	S35094	SCREW #10-24 X 5/8	1	1	1
165	Y-12127	DOOR CLIP	1	1	1
166	Y-11981	SCREW 1/4-20 X 3/4	18	18	18
168	Y-11208	WASHER	1	1	1
169	S21061	WING NUT	2	2	2
170	Y-12084	NUT - 10-24	10	10	10
171	S15246	MOTOR	1	1	1
172	23502-507	WASHER	6	6	6
173	S21362	SPRING	1	1	1
176	Y-29307	NUT #10-24	2	2	2
177	Y-12860	SCREW 1/4-20 X 1	4	4	4
180	S35095	SCREW #10-24 X 5/8	2	2	2
181	25070-91	WIRE HARNESS - LIGHT SWITCH	1	1	1
181A	25070-95	LIGHT SWITCH	1	1	1
182	25020-71	OVEN LIGHT	2	2	2
184	25080-90EU	TRANSFORMER	1	1	•
	25080-90UK	TRANSFORMER	•	•	1
185	25030-72	WIRE HARNESS - OVEN LIGHTS	1	1	1
186	Y-12865	SCREW 1/4-20 X 1/2	36	36	36
190	25020-83	WIRE HARNESS - LED X3	1	1	1
191	25020-84	WIRE HARNESS - LED X4	1	1	1
192	Y-29306	SCREW #10-24 X 3/4	4	4	4
193	Y-11235	LID BUMPER	4	4	4
194	S15508	ELECTRODE	1	1	1

