

Broil King®



Broil King Imperial™

S590 IR

9989-82

9989-83

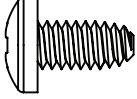


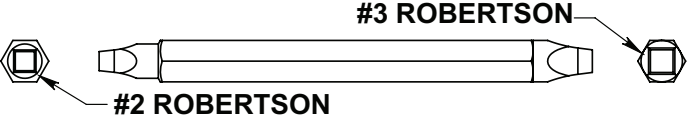
9989-86

Onward
MANUFACTURING COMPANY
585 KUMPF DRIVE LIMITED
WATERLOO, ONTARIO, CANADA
N2V 1K3

SINCE 1906

20084-E36EU REV A 11/19

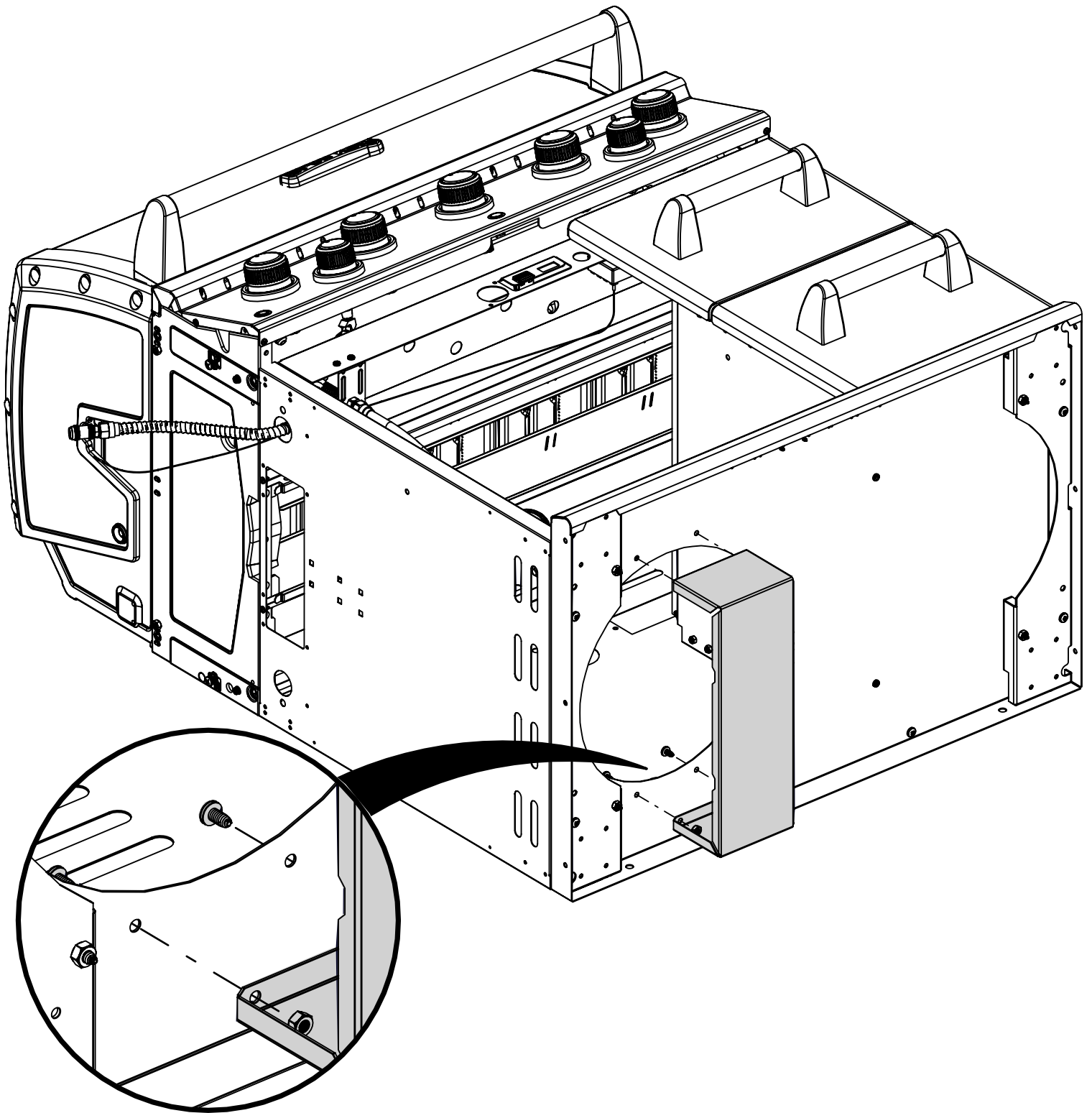
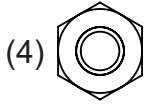
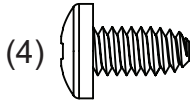
HARDWARE INCLUDED

Y-12865		(24)	Y-11793		(8)
Y-29306		(4)	 #3 ROBERTSON #2 ROBERTSON		

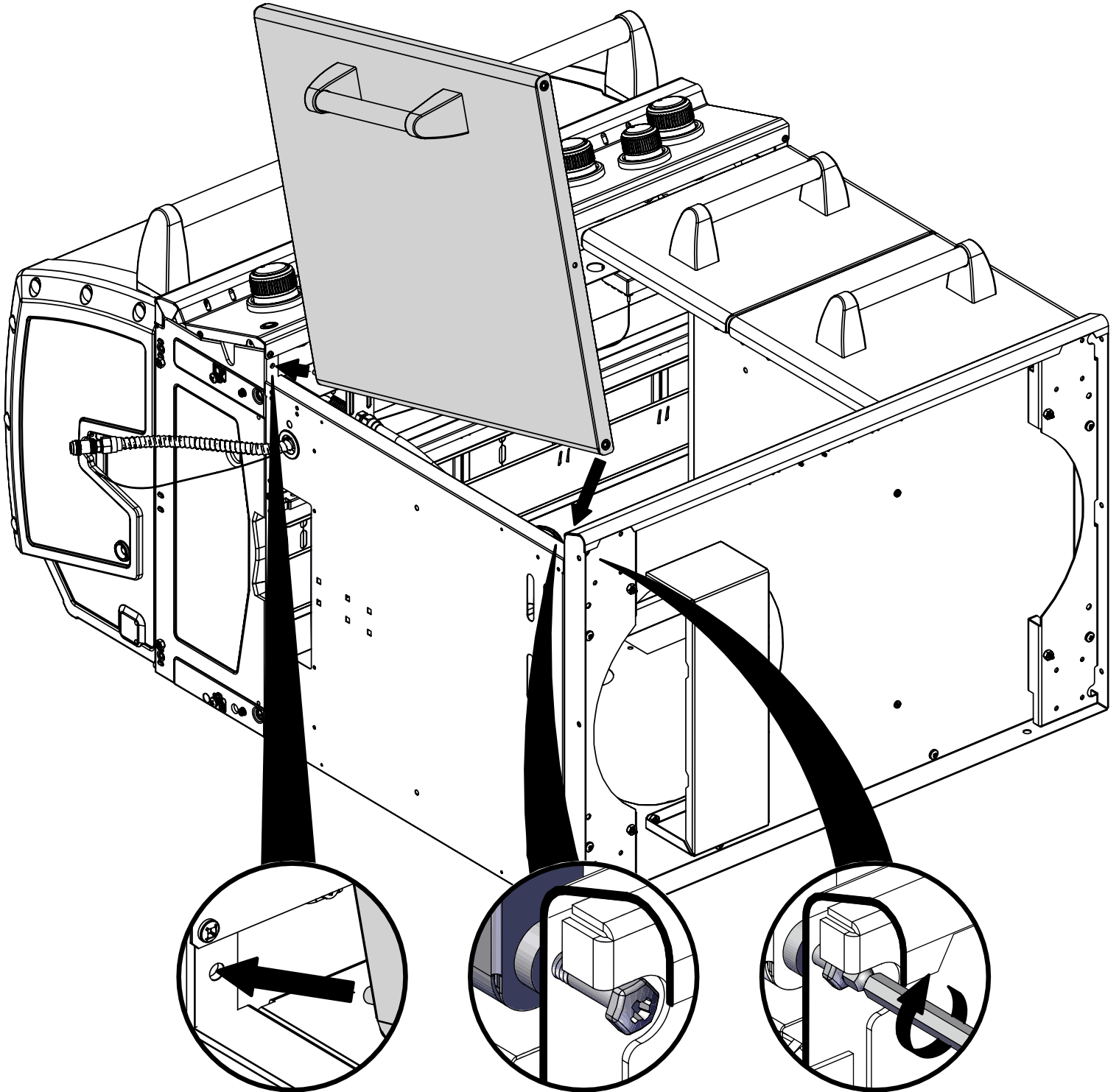
TOOLS REQUIRED



1

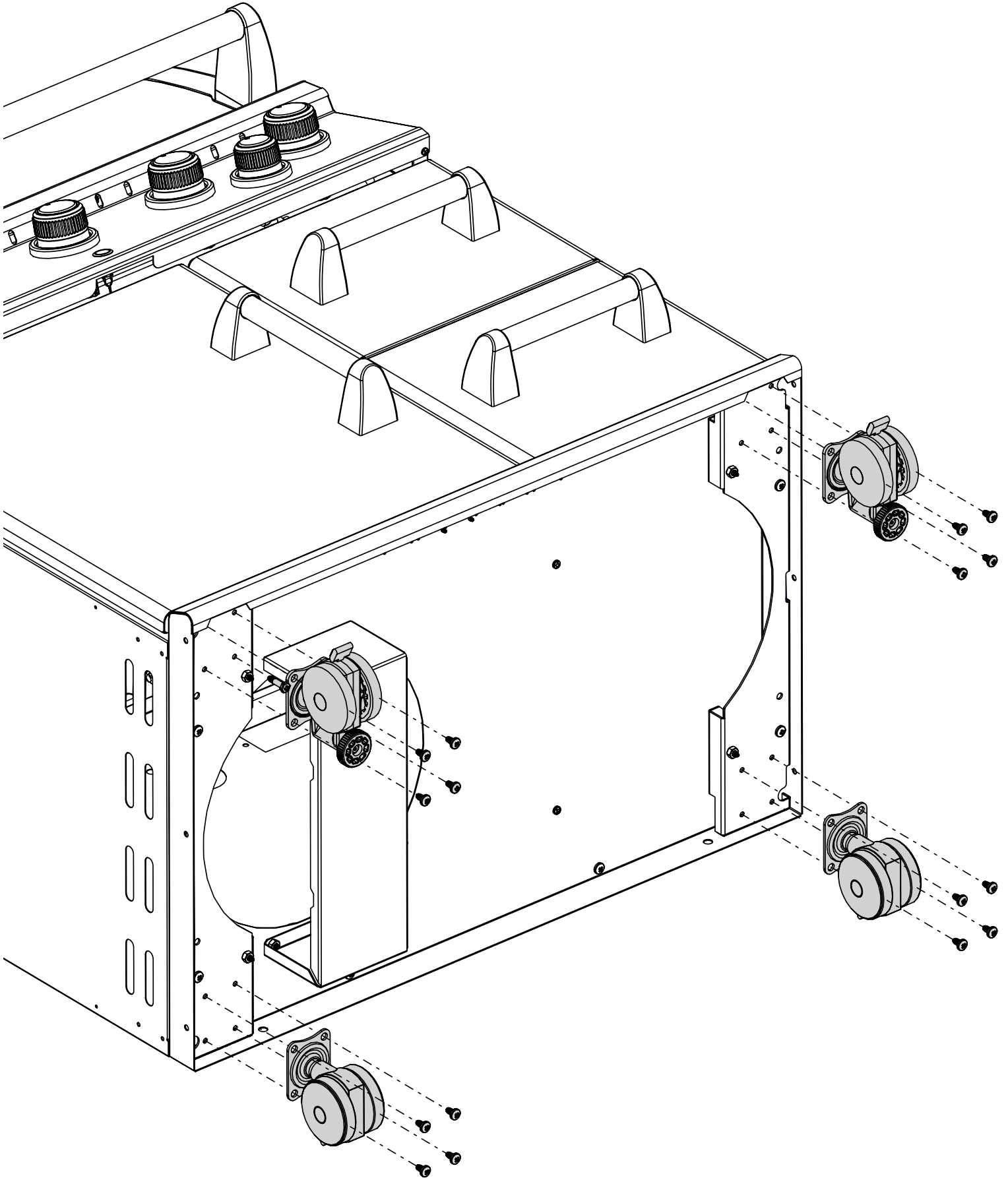
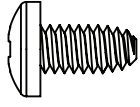


2

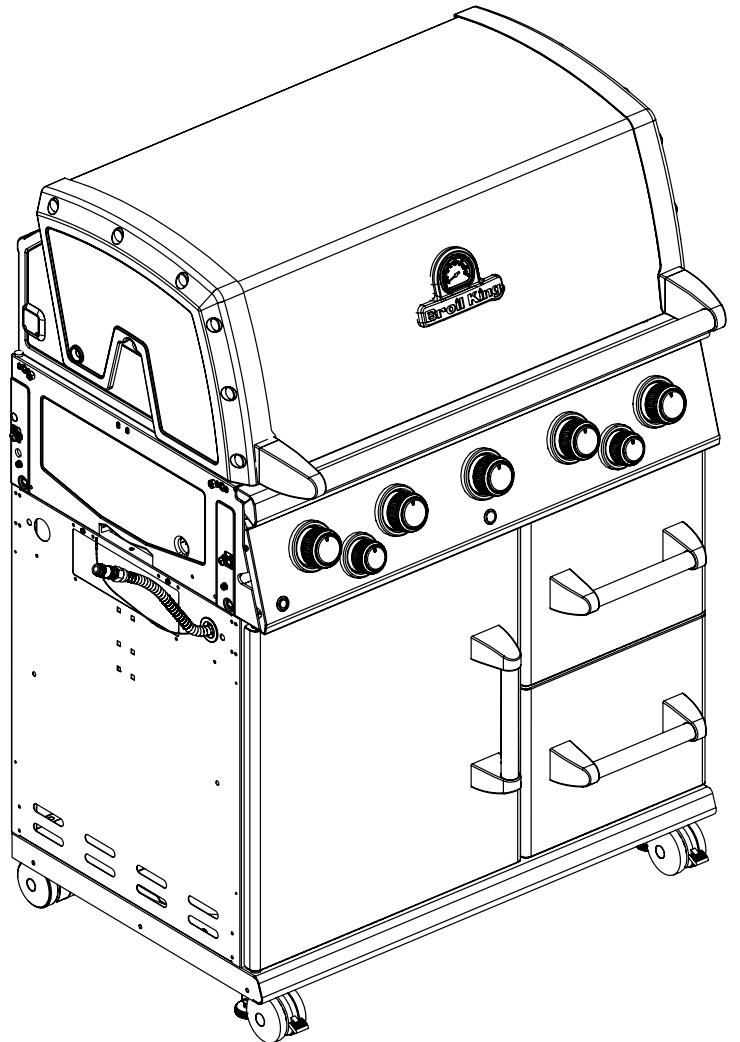
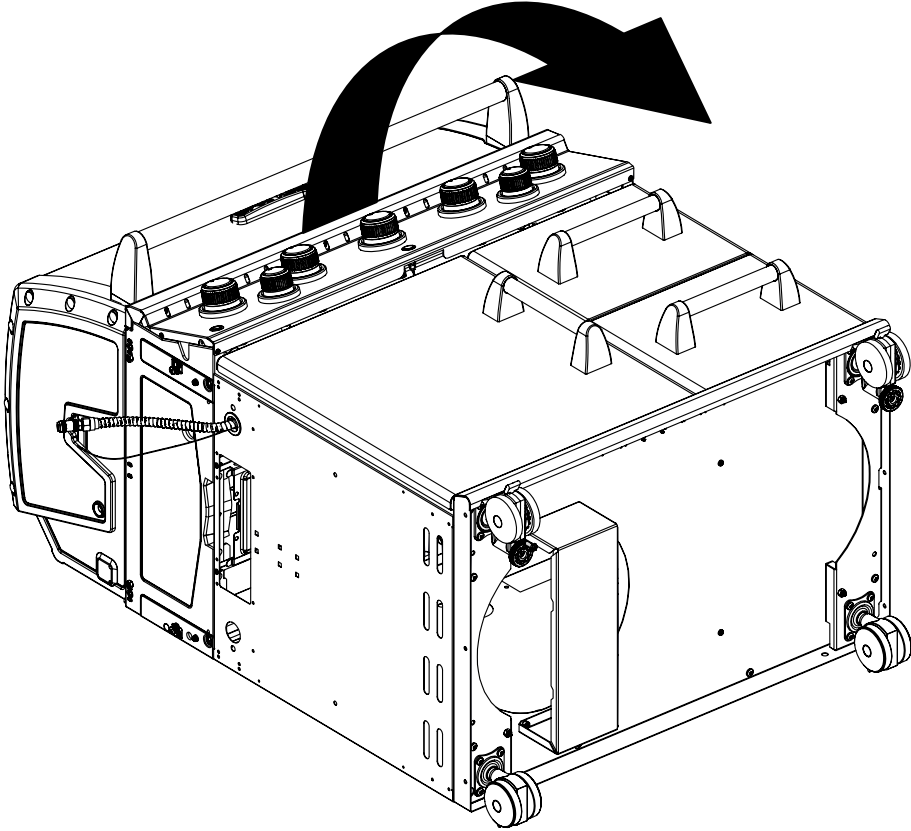


3

(16)



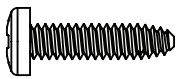
4



5

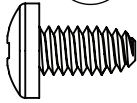
A

(2)



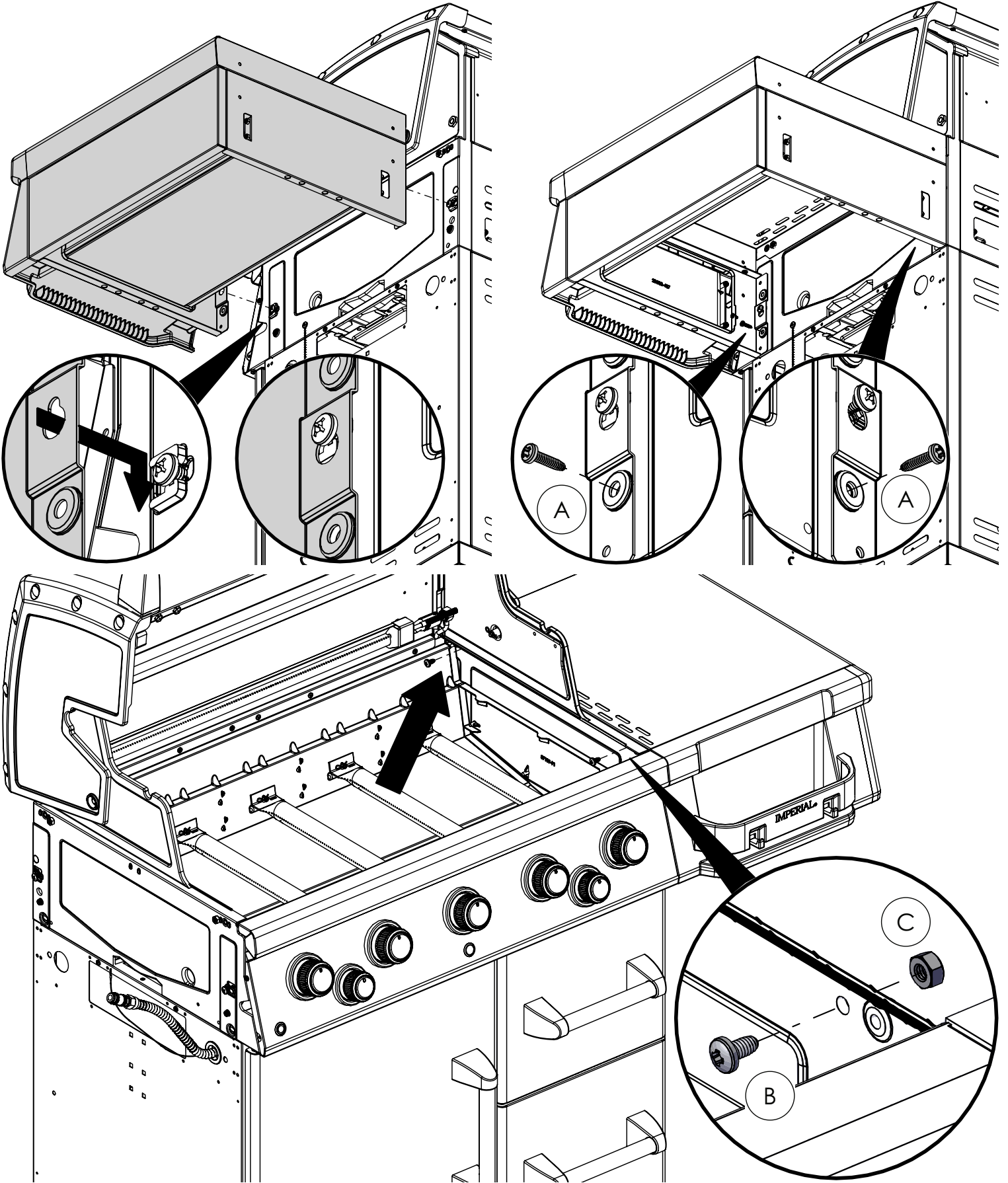
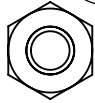
B

(2)



C

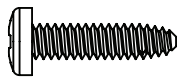
(2)



6

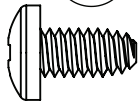
A

(2)



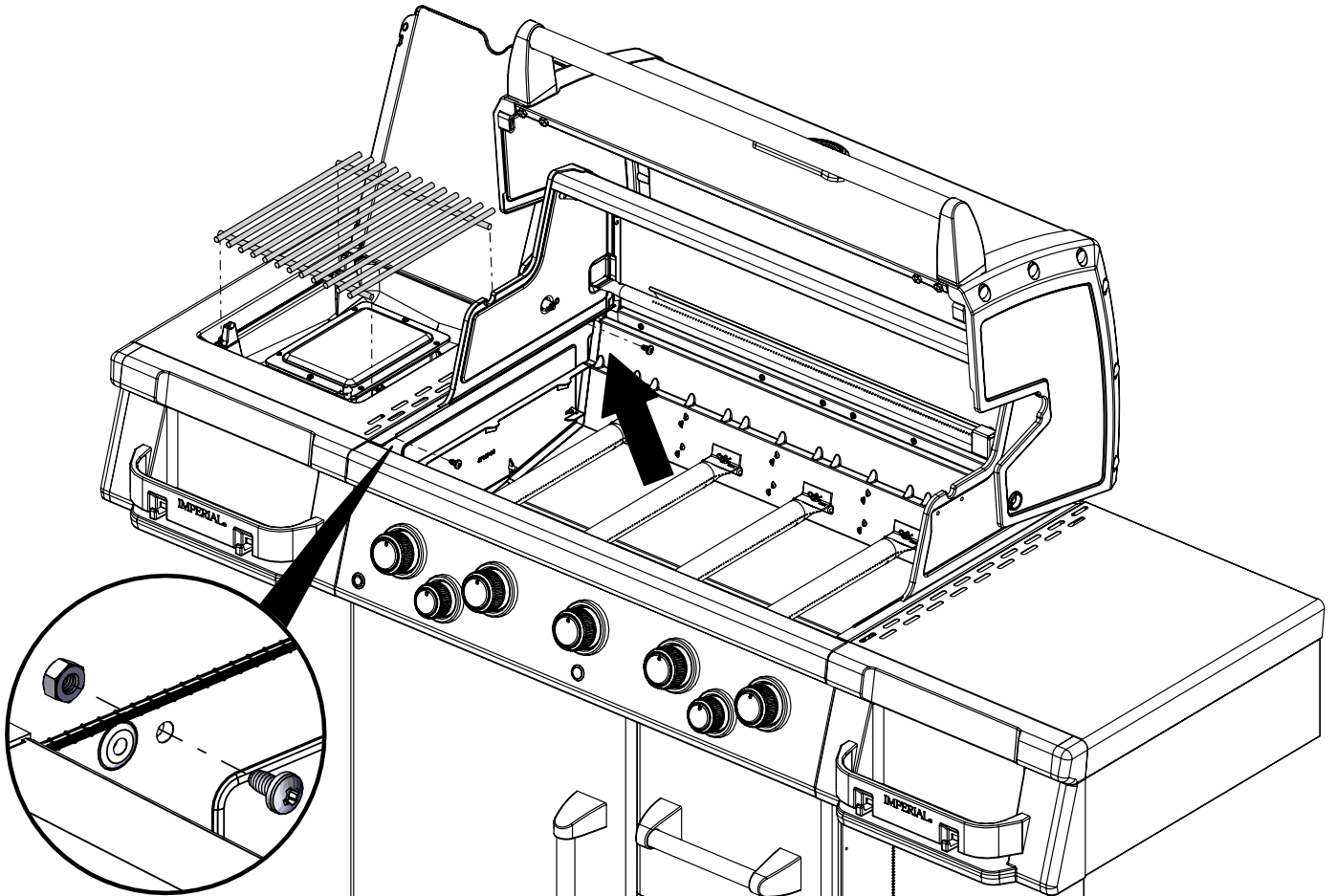
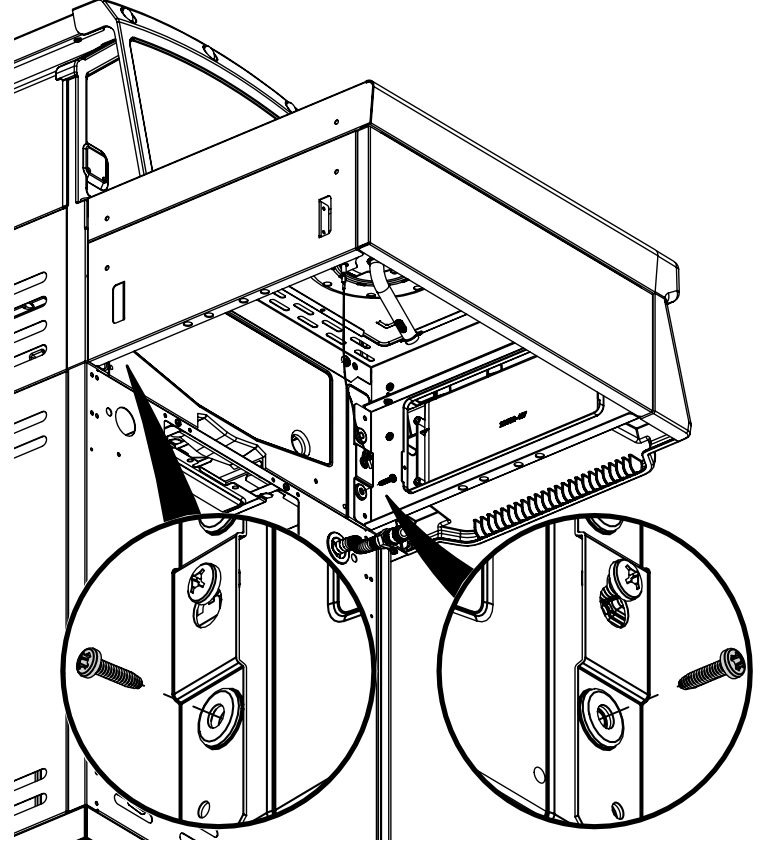
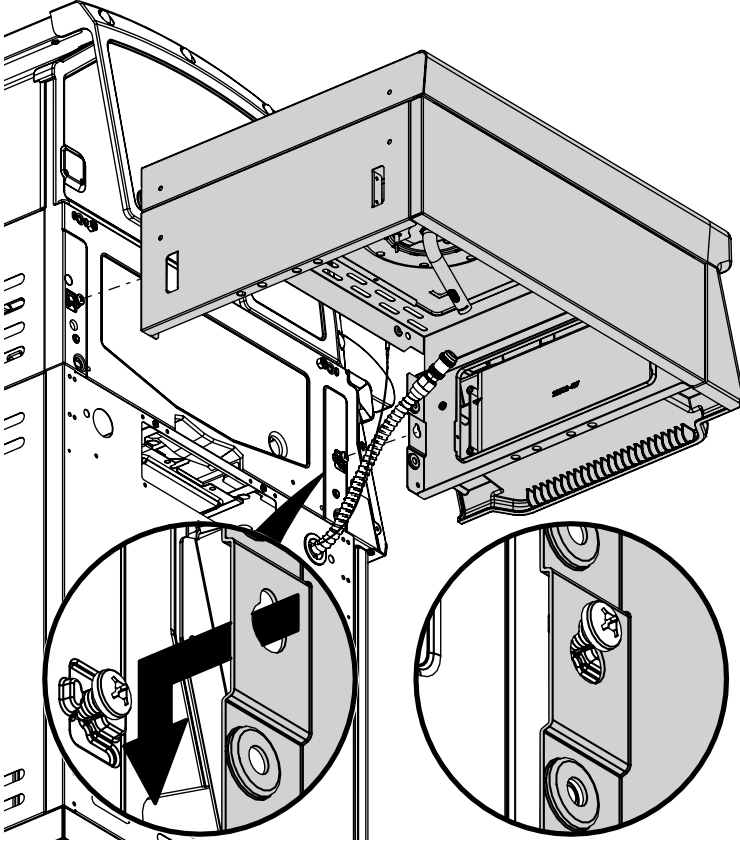
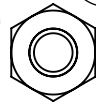
B

(2)

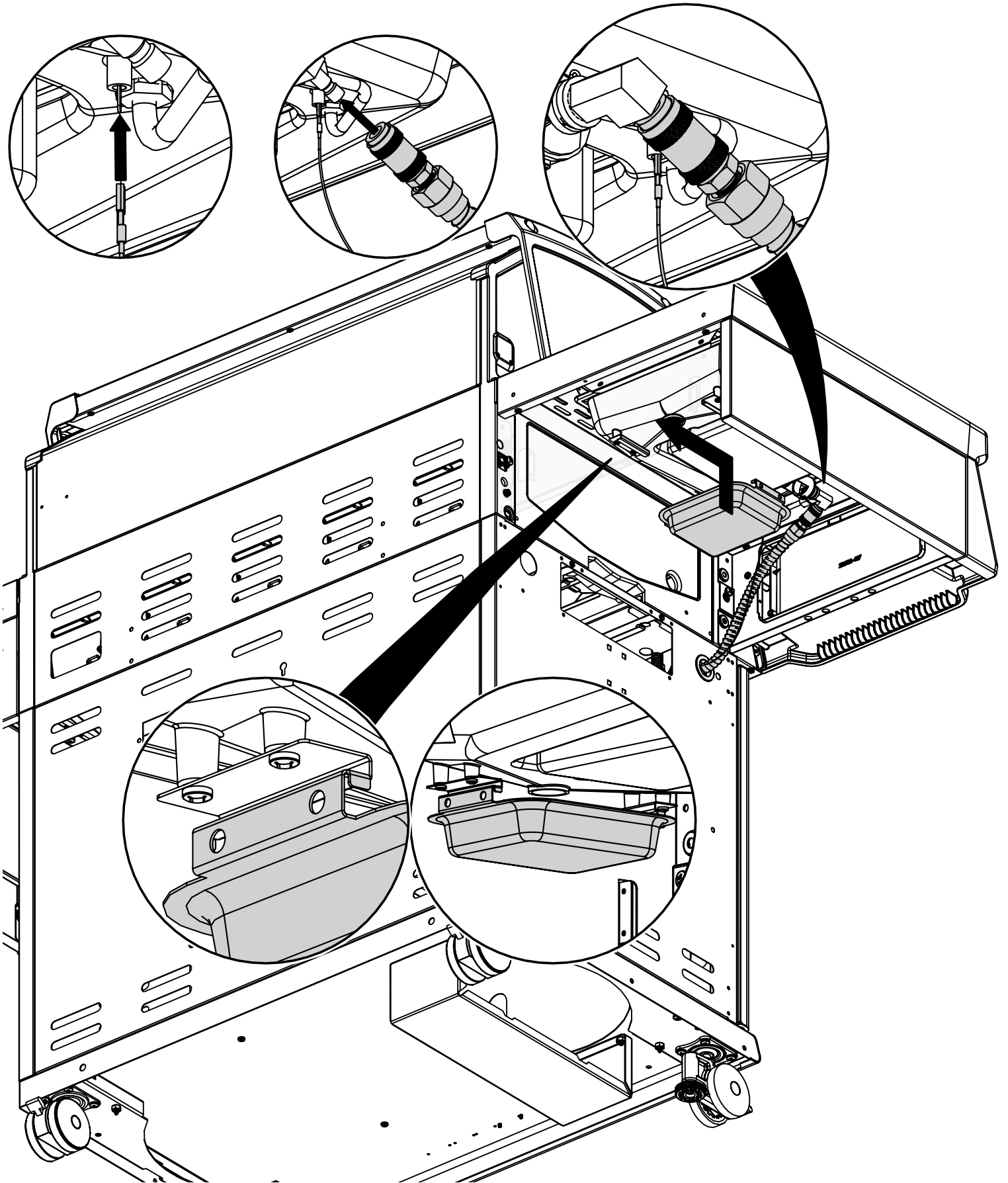


C

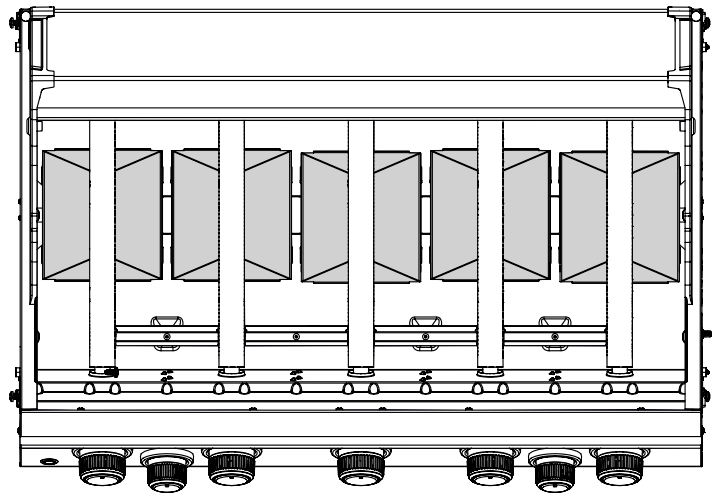
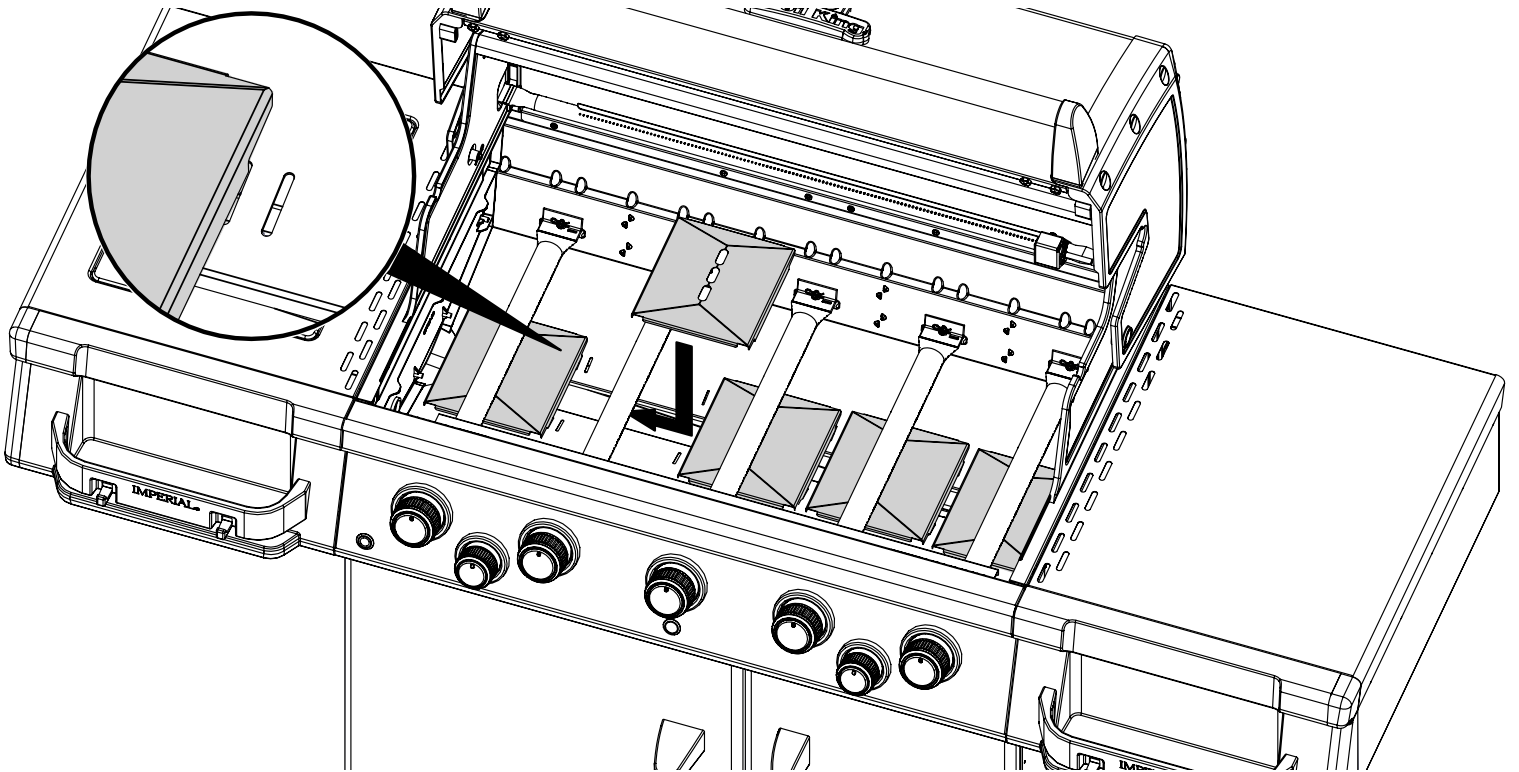
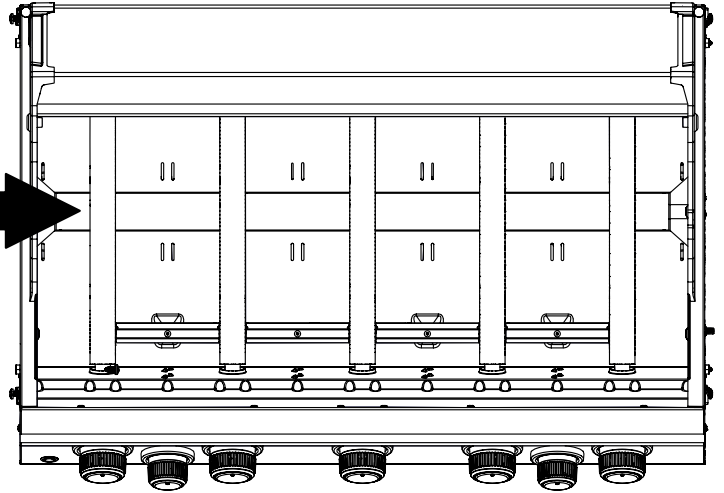
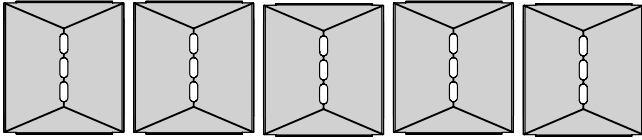
(2)

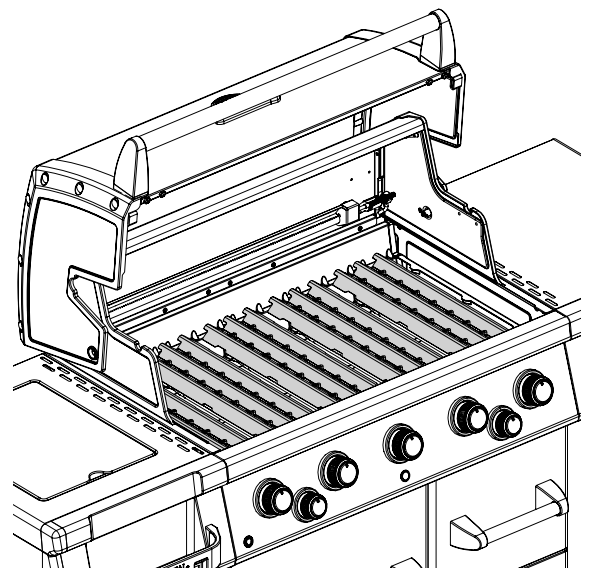
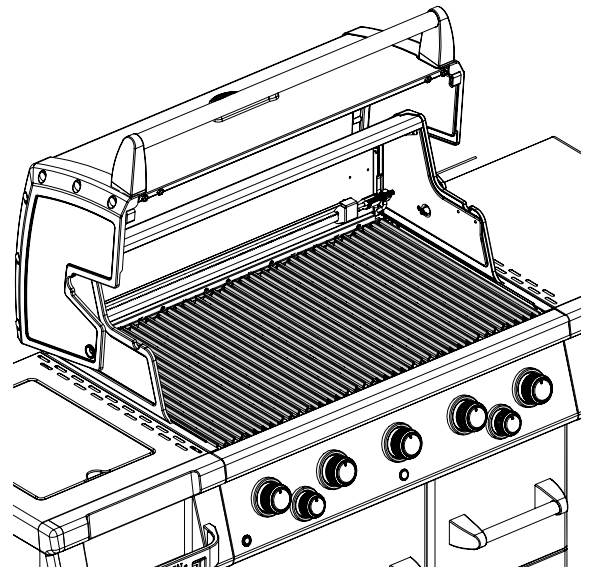
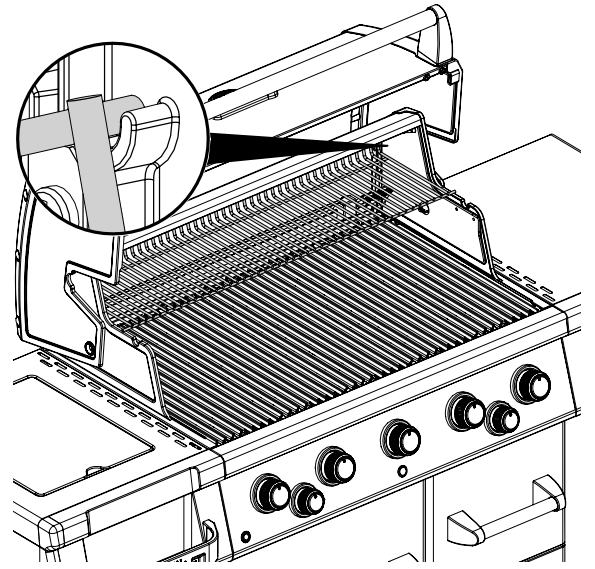
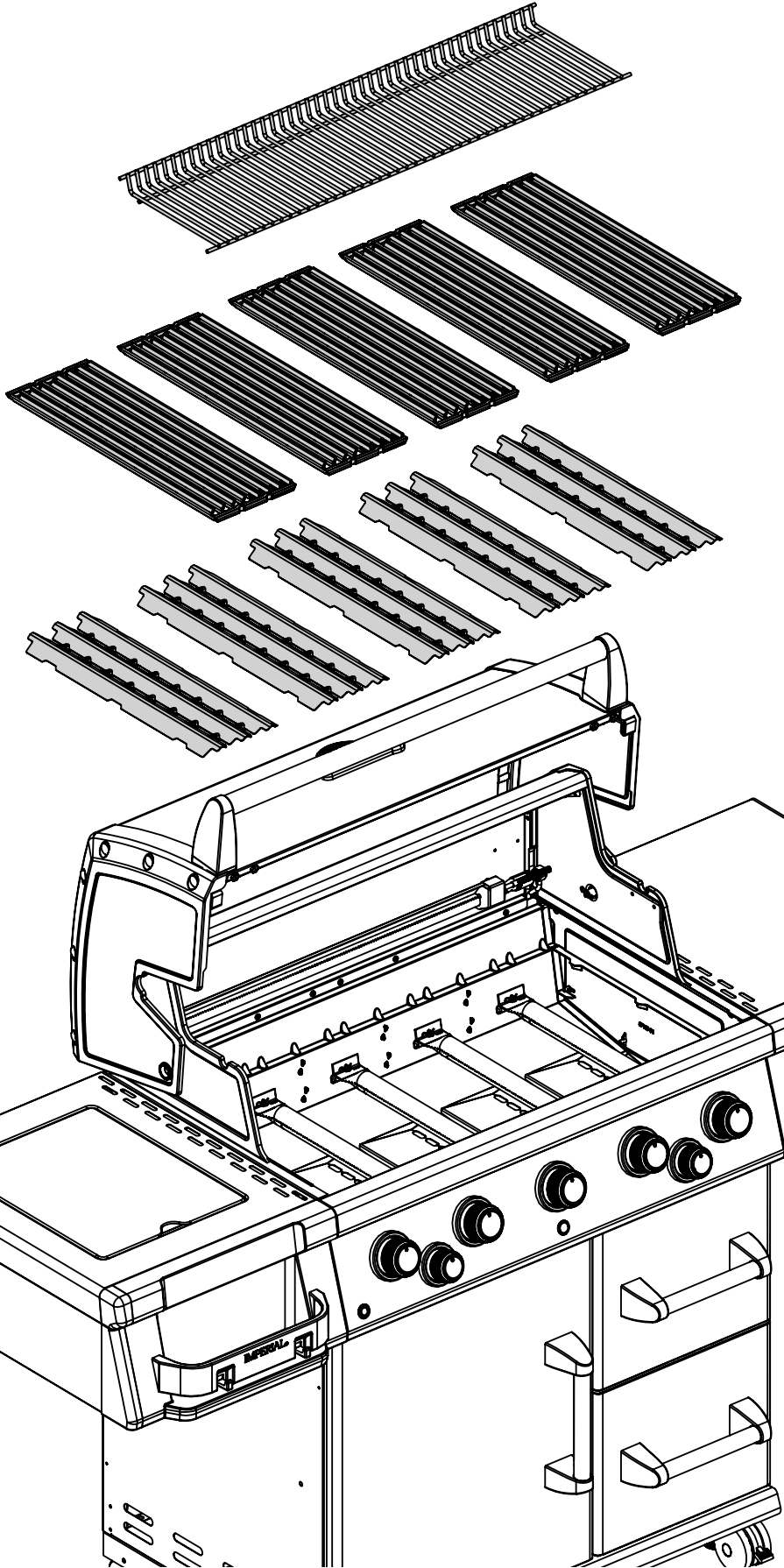


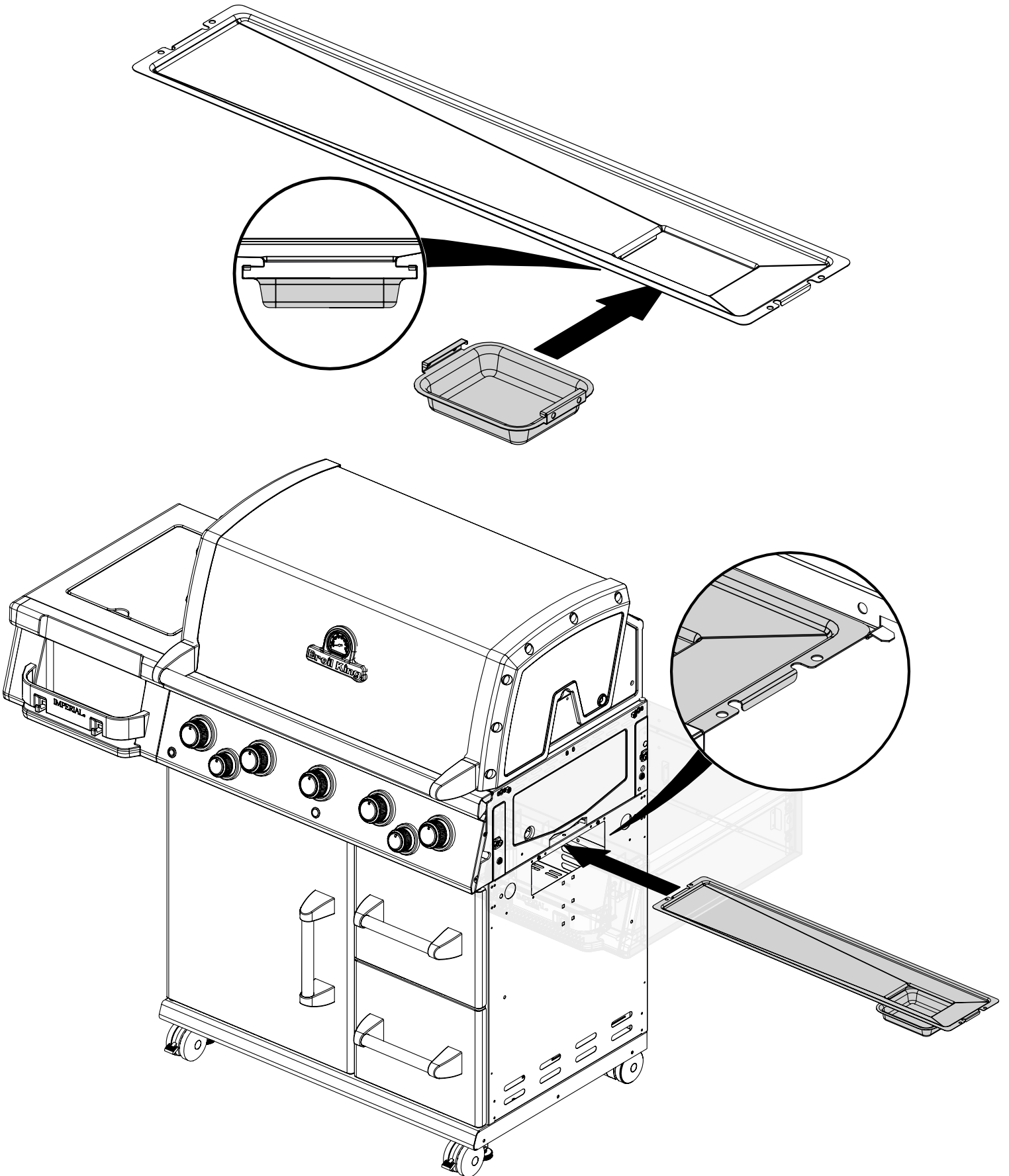
7



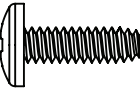
8

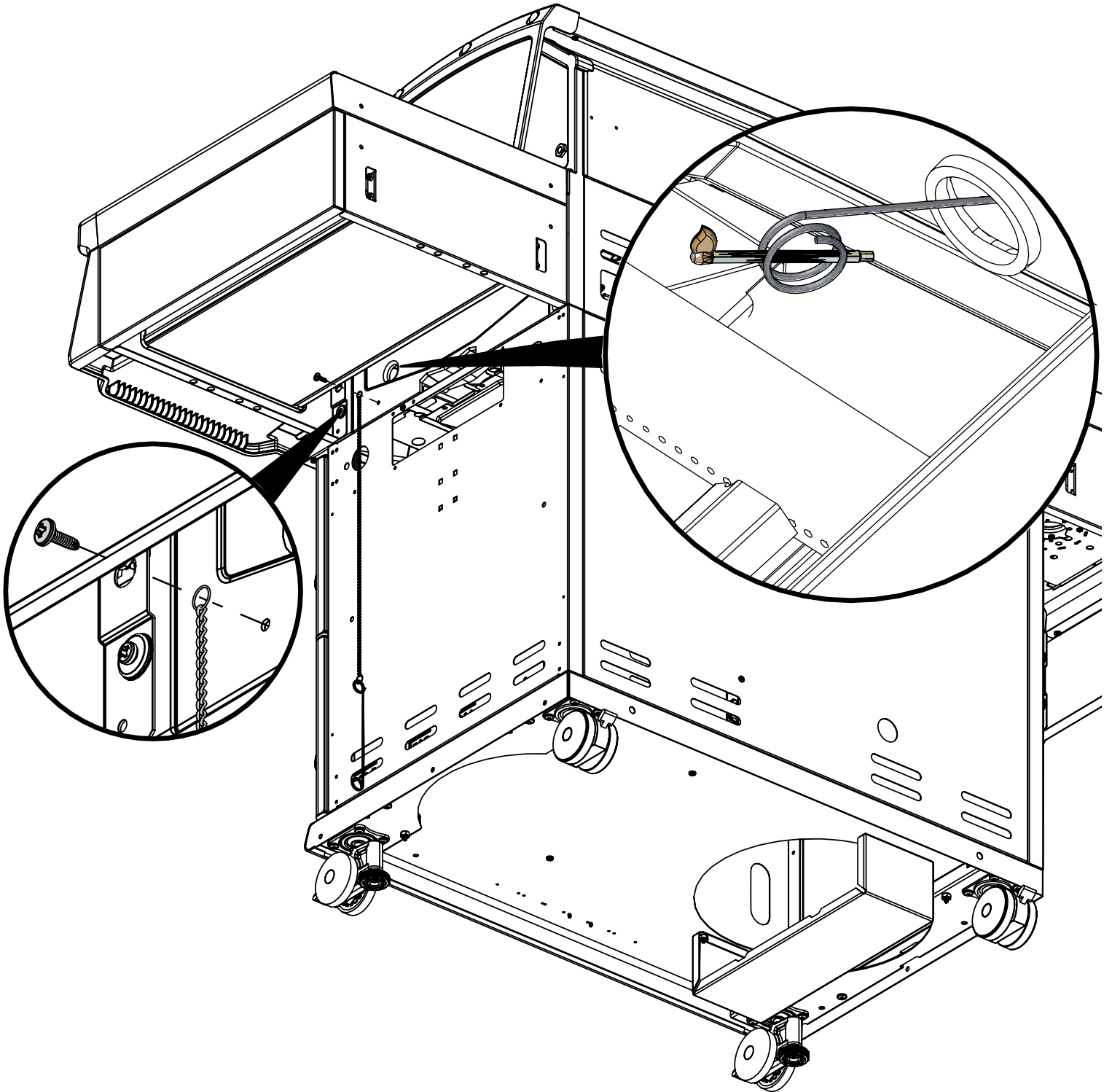




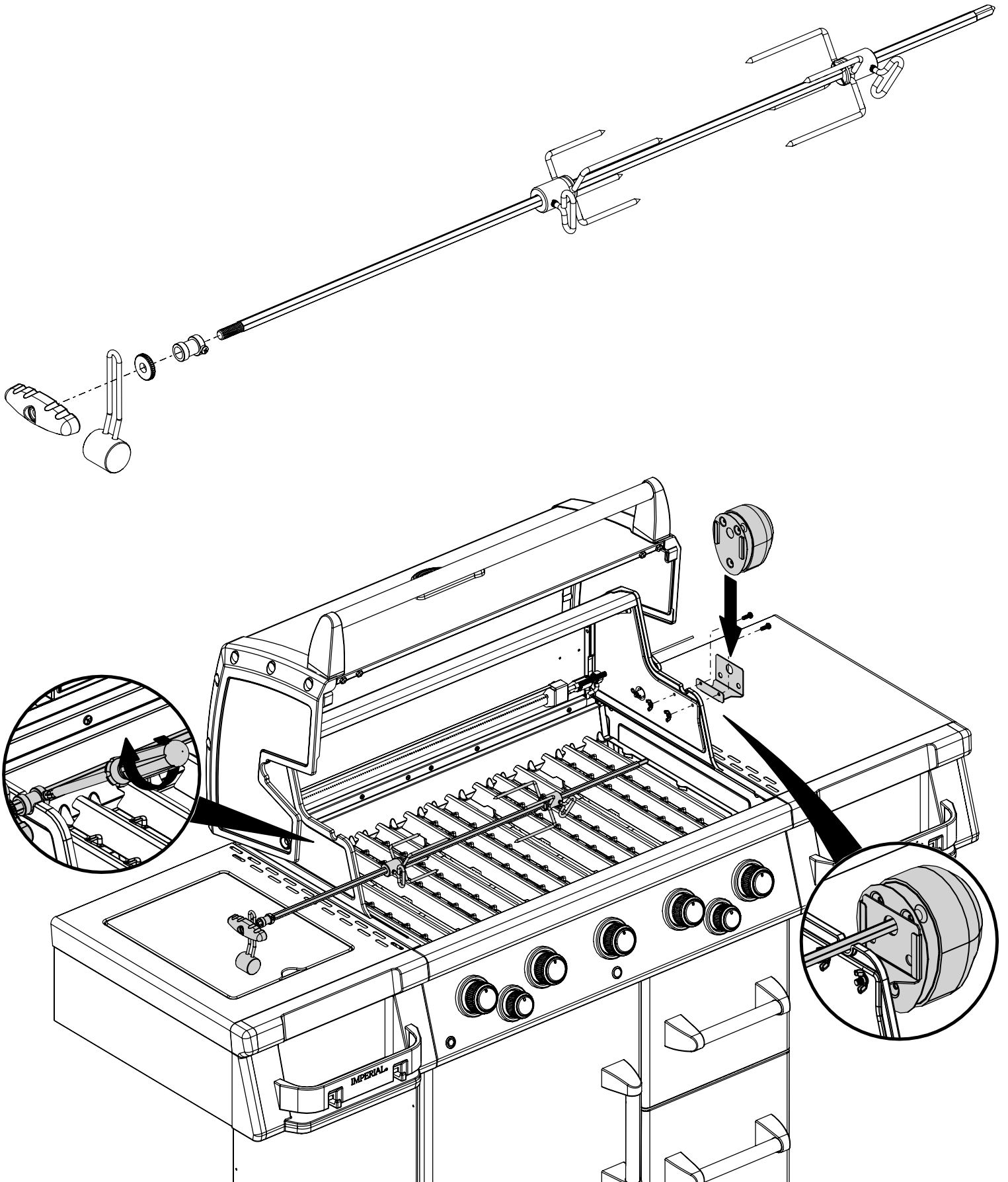


11

(1)  (1)

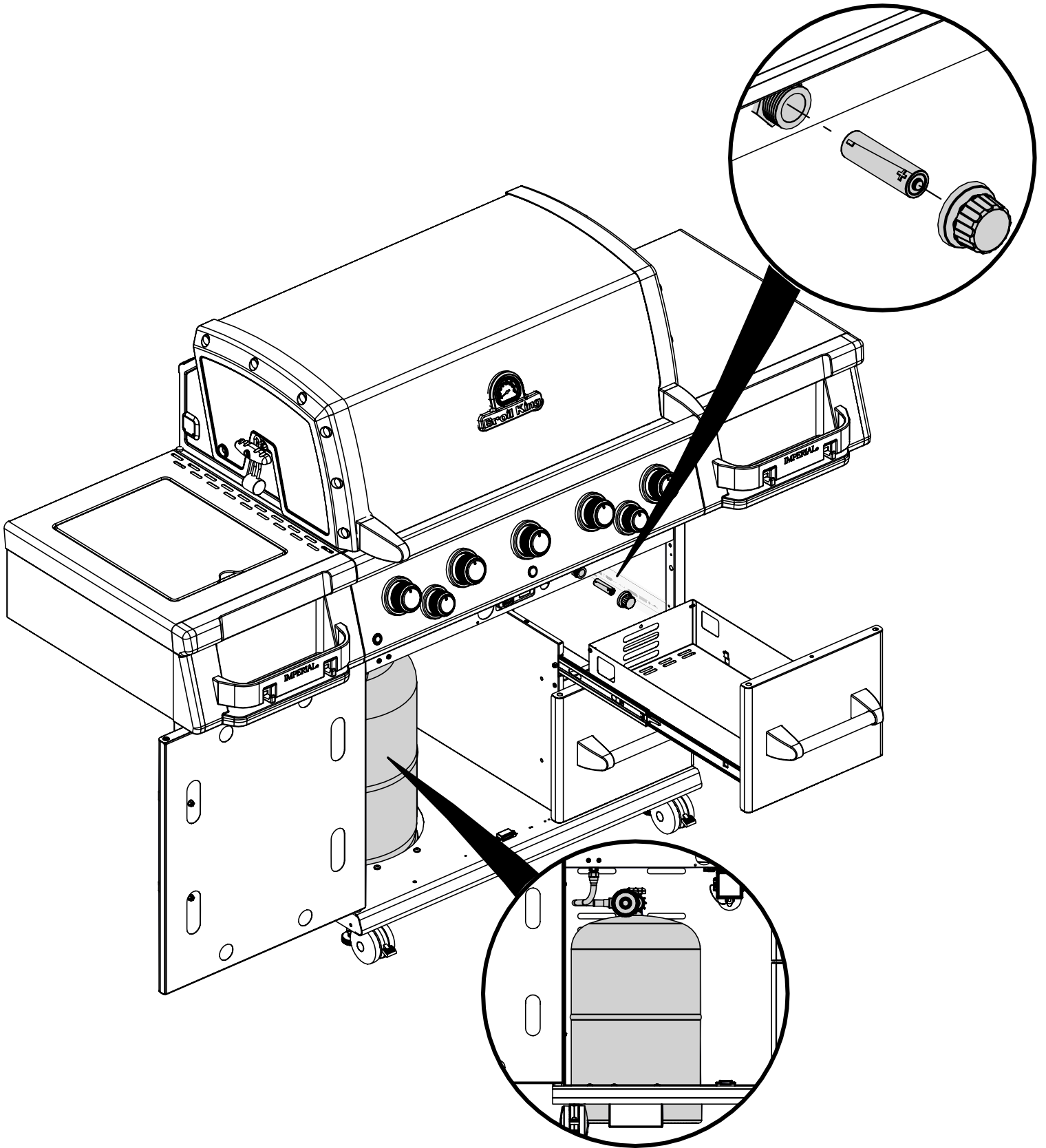
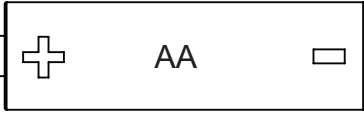


12

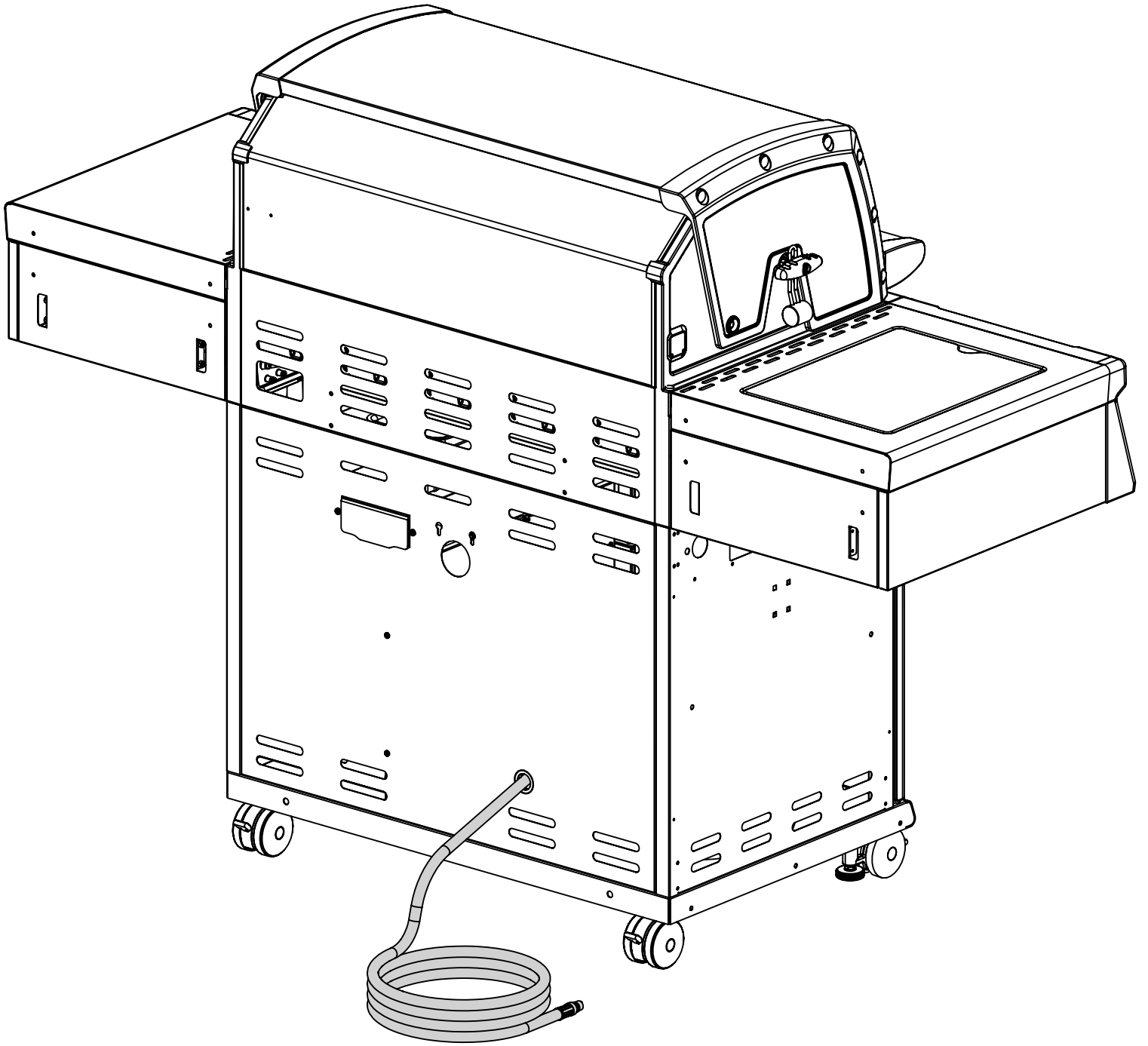


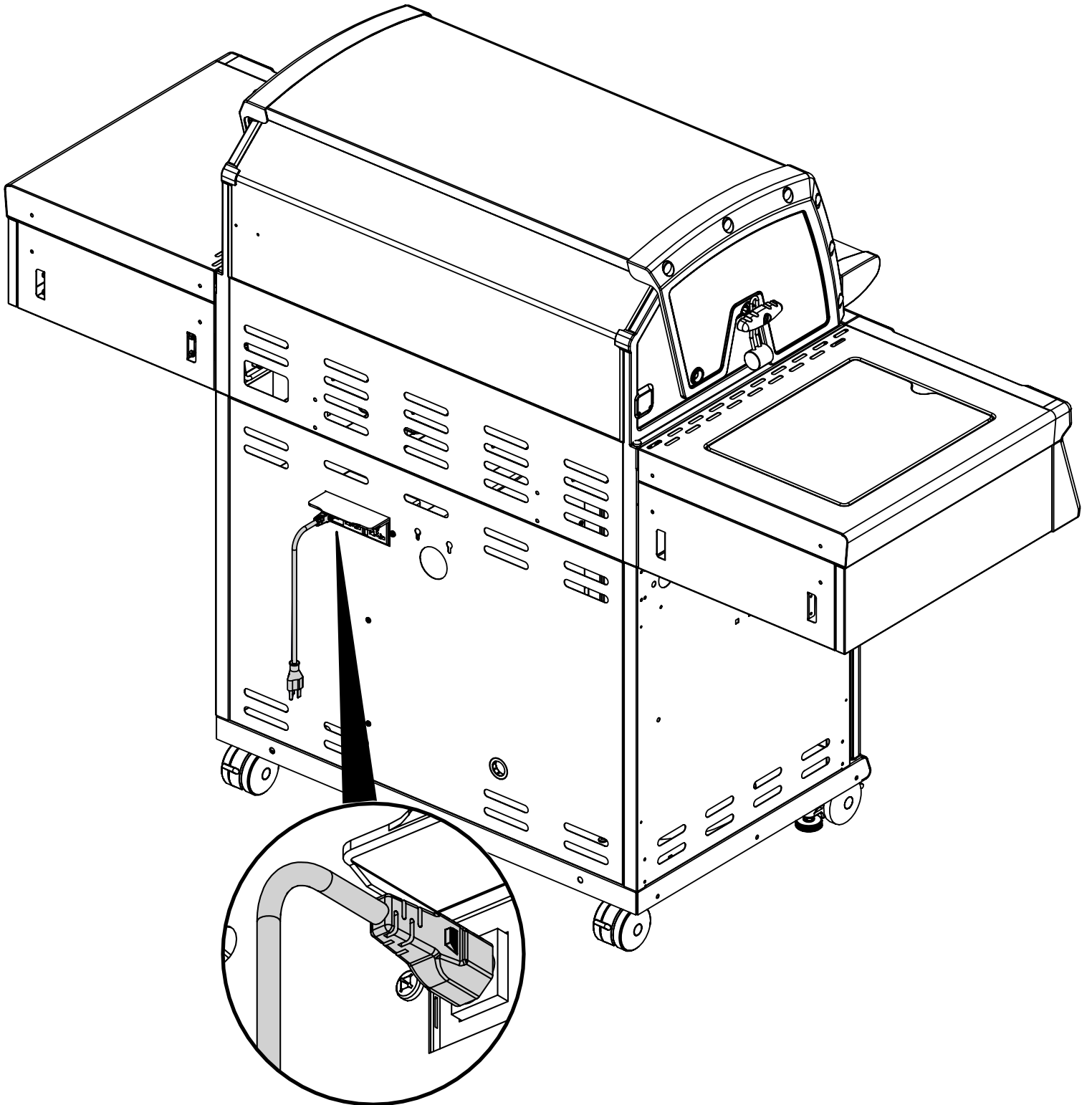
13

(1)



14





PARTS LIST / LISTE DES PIECES

<u>KEY #</u>	<u>ITEM #</u>	<u>DESCRIPTION</u>	<u>9989-82</u>	<u>9989-83</u>	<u>9989-86</u>
1	27006-703S	FIRE BOX ASSEMBLY	1	1	1
2	86006-303	LID ASSEMBLY	1	1	1
5	27249-904	GREASE SHIELD	5	5	5
7	Y-11544S	BURNER SCREW	5	5	5
8	S21242	BURNER CLIP	5	5	5
18	22005-283	GRID - CAST SS	5	5	5
20	22006-991	GRID - WARMING RACK	1	1	1
22	22226-014A	COLLECTOR BOX	1	1	1
25	22909-104D	BURNER	5	•	•
	22909-104E	BURNER	•	5	•
	22909-104NGE	BURNER	•	•	5
26	22001-769	CONTROL KNOB	5	5	5
26A	22001-669	CONTROL KNOB	2	2	2
27	22002-264	CONTROL BEZEL	5	5	5
27A	22001-164	CONTROL BEZEL	2	2	2
28	22026-493	CONTROL COVER	1	1	1
29	Y-12678	BEZEL STOP	1	1	1
30	Y-12674	KNOB ADAPTER	1	1	1
32	10111-15A	PIGTAIL HOSE ASSEMBLY	1	1	1
33	10153-93	QUICK DISCONNECT FITTING	1	1	1
34	S13473-073	HOSE-SIDE BURNER	1	•	•
	S13473-079	HOSE-SIDE BURNER	•	1	•
	S13473-109	HOSE-SIDE BURNER	•	•	1
34A	Y-11230	HAIR PIN -COTTER	1	1	1
35	29006-072IR	CONTROL ASSEMBLY	1	•	•
	29006-075IR	CONTROL ASSEMBLY	•	1	•
	29006-076IR	CONTROL ASSEMBLY	•	•	1
36	10342-T41	ELECTRODE – SIDE BURNER	1	1	1
37	20809-957	TUBE-REAR BURNER ASSY	1	1	1
38	Y-11990	HEX NUT	1	1	1
39	10110-74	TUBE - COMPRESSION FITTING	1	1	1
41	20153-64	ORIFICE ADAPTER	1	1	1
42	10153-79	FITTING	1	1	1
43	10342-E13	ELECTRODE	2	2	2
43A	10342-E22	ELECTRODE	1	1	1
44	10342-45	ELECTRONIC IGNITOR	1	1	1
44A	25070-93	IGNITOR BUTTON	1	1	1
44B	25070-92	IGNITOR HARNESS	1	1	1
45	10693-073	ORIFICE	1	•	•
	10693-079	ORIFICE	•	1	•
	10693-109	ORIFICE	•	•	1
46	23039-274	GREASE PAN SUPPORT	2	2	2
47	21036-991	GREASE RAIL	2	2	2
48	22009-901	GREASE PAN	1	1	1
49	27056-901	GREASE TRAY	1	1	1
51	22209-904	FLAV-R-WAVE ®	5	5	5
56	24006-239	HANDLE	1	1	1
58	26009-917	HANDLE END CAP	2	2	2

PARTS LIST / LISTE DES PIECES

<u>KEY #</u>	<u>ITEM #</u>	<u>DESCRIPTION</u>	<u>9989-82</u>	<u>9989-83</u>	<u>9989-86</u>
58A	24009-938	HANDLE STANDOFF	2	2	2
59	10081-BK630	NAMEPLATE	1	1	1
60	10571-6	HEAT INDICATOR	1	1	1
65	20005-000	MATCH LIGHT - STICK	1	1	1
68	23272-233A	DOOR	1	1	1
70	21079-906	HANDLE END CAP	6	6	6
71	21171-23	HANDLE - SMALL	3	3	3
74	Y-99100	DRAWER SLIDE	4	4	4
77	21165-113A	DRAWER ASSEMBLY	2	2	2
78	21336-111	BRACKET - DOOR CATCH	1	1	1
80	21109-905R	SIDE PANEL	2	2	2
83	21065-901R	DRAWER CENTER MOUNT	1	1	1
84	21069-901	DRAWER SUPPORT	1	1	1
88	21306-925R	PANEL - REAR	1	1	1
90	51096-935	BASE	1	1	•
	51096-955	BASE	•	•	1
100	21039-911	CASTOR BRACKET	2	2	2
101	21039-301	TANK BRACKET	1	1	•
102	10892-23	CASTOR	2	2	2
102A	10892-285	CASTOR	2	2	2
114	23102-813	SHELF	1	1	1
115	23102-853	SHELF-SIDEBURNER	1	1	1
124	23090-27	SIDE BURNER BODY	1	1	1
125	23000-253	COVER-SIDE BURNER	1	1	1
126	20390-74	SIDE BURNER	1	1	1
127	18670	SIDE BURNER SCREEN	1	1	1
128	23001-79	GRID	1	1	1
130	27906-354E	BURNER ROTISSERIE	1	1	1
131	10693-099	REAR BURNER ORIFICE	1	•	•
	10693-102	REAR BURNER ORIFICE	•	1	•
	10693-155	REAR BURNER ORIFICE	•	•	1
133	S15271	HANDLE	1	1	1
134	S15270	BALANCER	1	1	1
135	S15299	WASHER	1	1	1
136	S15263	BUSHING	1	1	1
137	S15259	SPIT ROD	1	1	1
138	S15287	4 PRONG FORKS	2	2	2
139	57039-901	ROTISSERIE BRACKET	1	1	1
140	S21125	SCREW #8 X 1/2	4	4	4
141	Y-11559	SCREW 1/4-20 X 3/4	8	8	8
142	S21127S	SCREW #8-32 x 7/16	8	8	8
144	Y-12220	BUSHING	1	1	2
145	S21235	HINGE PIN	2	2	2
146	S21233	HITCH PIN CLIP	2	2	2
147	Y-11231	LID BUMPER	2	2	2
148	10240-20	DOOR PIN	1	1	1
149	Y-11551	DOOR PIN 1/4-20 X 1	1	1	1
150	Y-12124	DOOR PIN CAP	1	1	1

PARTS LIST / LISTE DES PIECES

<u>KEY #</u>	<u>ITEM #</u>	<u>DESCRIPTION</u>	<u>9989-82</u>	<u>9989-83</u>	<u>9989-86</u>
151	Y-11567	SCREW M8 SHOULDER	8	8	8
152	Y-12222	MAGNET	1	1	1
153	Y-12223	SNAP IN MAGNET	1	1	1
154	Y-11560	SCREW 1/4-20 X 1-1/2	8	8	8
155	S21124	SCREW #8 X 1/2	20	20	20
156	Y-11793	NUT 1/4-20	8	8	8
157	Y-12835	SCREW #6-32 X 1/4	2	2	2
158	Y-12646	SCREW - SHOULDER #8 X 1/2	2	2	2
159	S21136	SCREW #8-32 X 3/8	20	20	20
160	Y-29304	SCREW #10-24 X 3/8	2	2	2
161	Y-29310	SCREW #10-24 X 3/4	4	4	4
163	S35094	SCREW #10-24 X 5/8	1	1	1
164	S21084	SCREW #14 X 5/8	4	4	4
169	S21061	WING NUT	2	2	2
170	Y-12084	NUT – 10-24	6	6	6
171	S15246	MOTOR	1	1	1
172	S15517-011	ELECTRODE ASSEMBLY	1	1	·
	S15517-018	ELECTRODE ASSEMBLY	·	·	1
173	S21362	SPRING	1	1	1
180	S35095	SCREW #10-24 X 5/8	2	2	2
181	25070-91	WIRE HARNESS - LIGHT SWITCH	1	1	1
181A	25070-95	LIGHT SWITCH	1	1	1
182	25020-71	OVEN LIGHT	2	2	2
183	20589-CH	TRANSFORMER PLUG	·	1	1
	20589-EU	TRANSFORMER PLUG	1	1	1
	20589-UK	TRANSFORMER PLUG	·	1	1
184	20589-90U	TRANSFORMER	1	1	1
185	25030-72	WIRE HARNESS - OVEN LIGHTS	1	1	1
186	Y-12865	SCREW 1/4-20 X 1/2	32	32	28
190	25020-83	WIRE HARNESS - LED X3	1	1	1
191	25020-84	WIRE HARNESS - LED X4	1	1	1
192	Y-29306	SCREW #10-24 X 3/4	4	4	4
193	SP11-25	LID BUMPER	2	2	2
194	S15508	ELECTRODE	1	1	1

