

Broil King®



Broil King Imperial™

490

9568-82

9568-83

9568-86

9968-82

9968-83

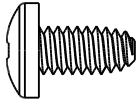
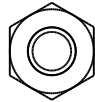
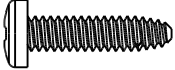
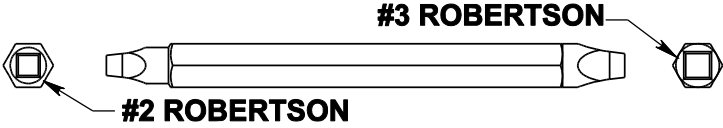
9968-86

Onward

SINCE 1906
MANUFACTURING COMPANY
585 KUMPF DRIVE LIMITED
WATERLOO, ONTARIO, CANADA
N2V 1K3

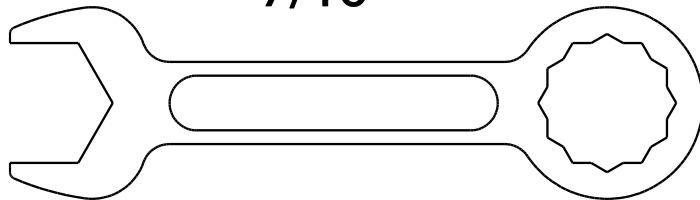
20084-E85EU REV D 10/18

HARDWARE INCLUDED / MATERIAL INCLUS / EQUIPOS INCLUIDO

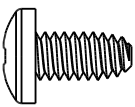
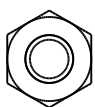
| | |
|---|--|
| <p>Y-12865</p>  <p>X24</p> | <p>Y-11793</p>  <p>X8</p> |
| <p>Y-29306</p>  <p>X4</p> |  <p>#3 ROBERTSON</p> <p>#2 ROBERTSON</p> |
| | |
| | |
| | |
| | |
| | |

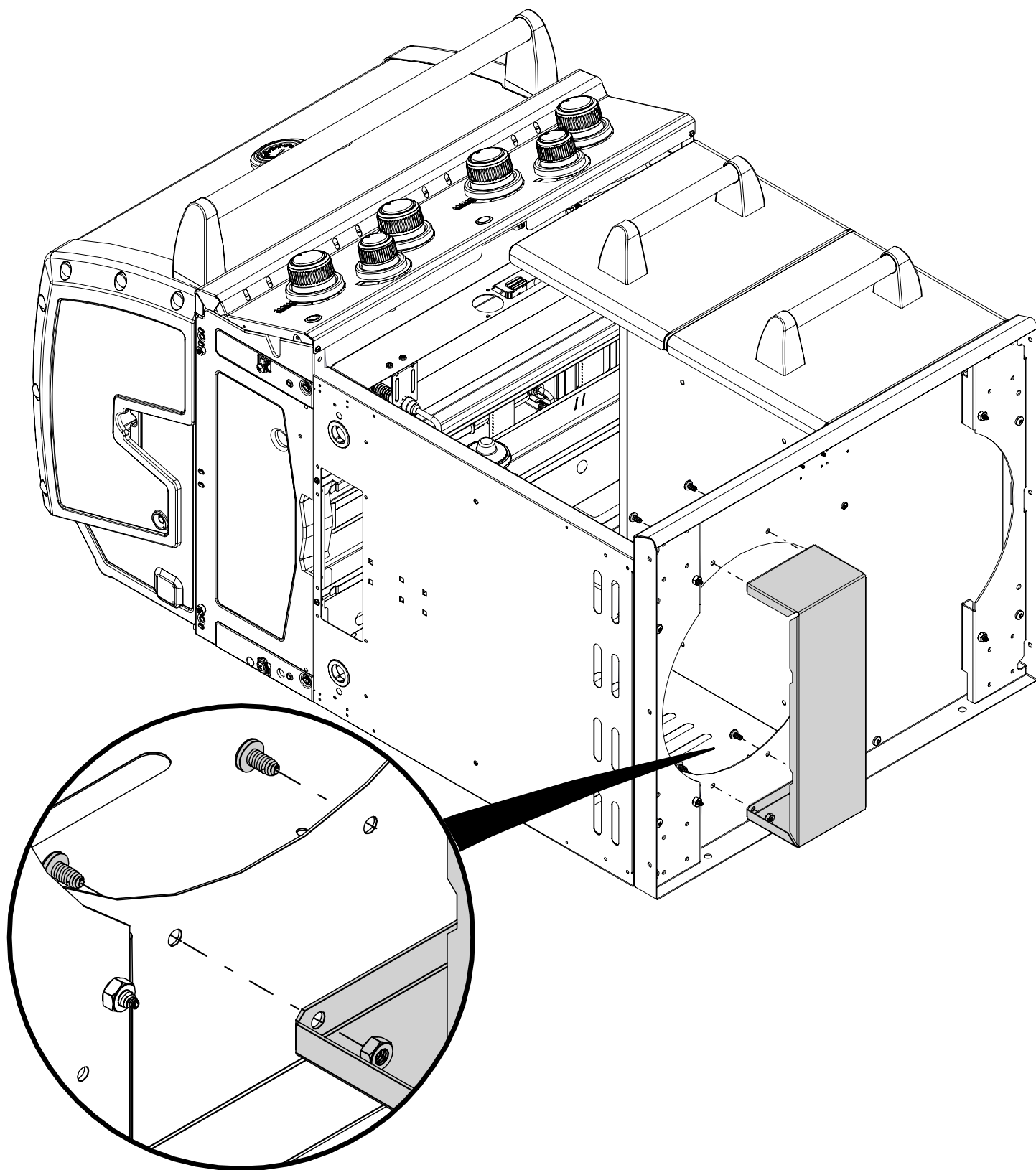
TOOLS REQUIRED / OUTILS NECESSAIRES / HERRAMIENTAS NECESARIAS

7/16"

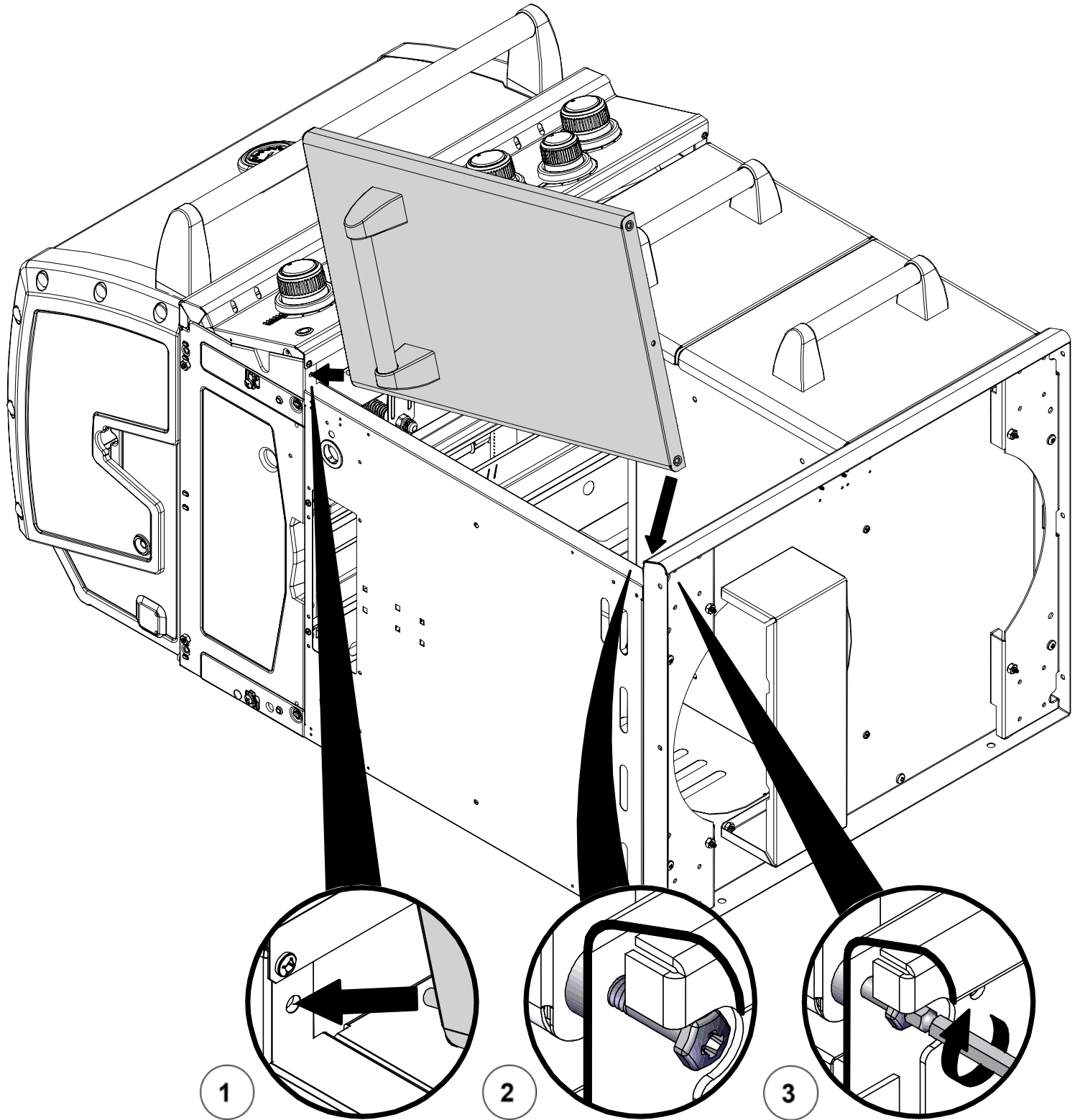


1

(4)  (4) 

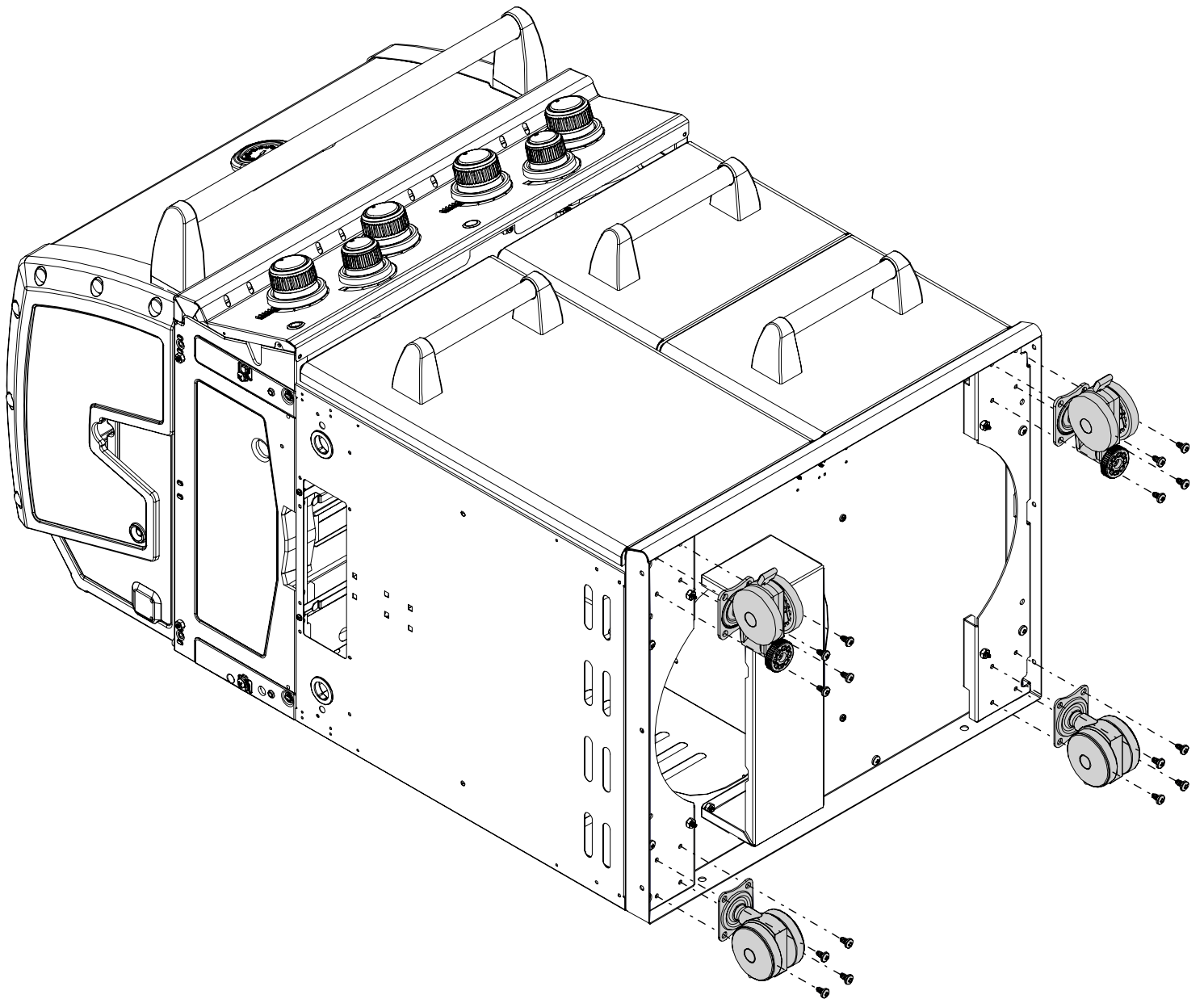
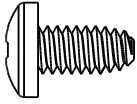


2

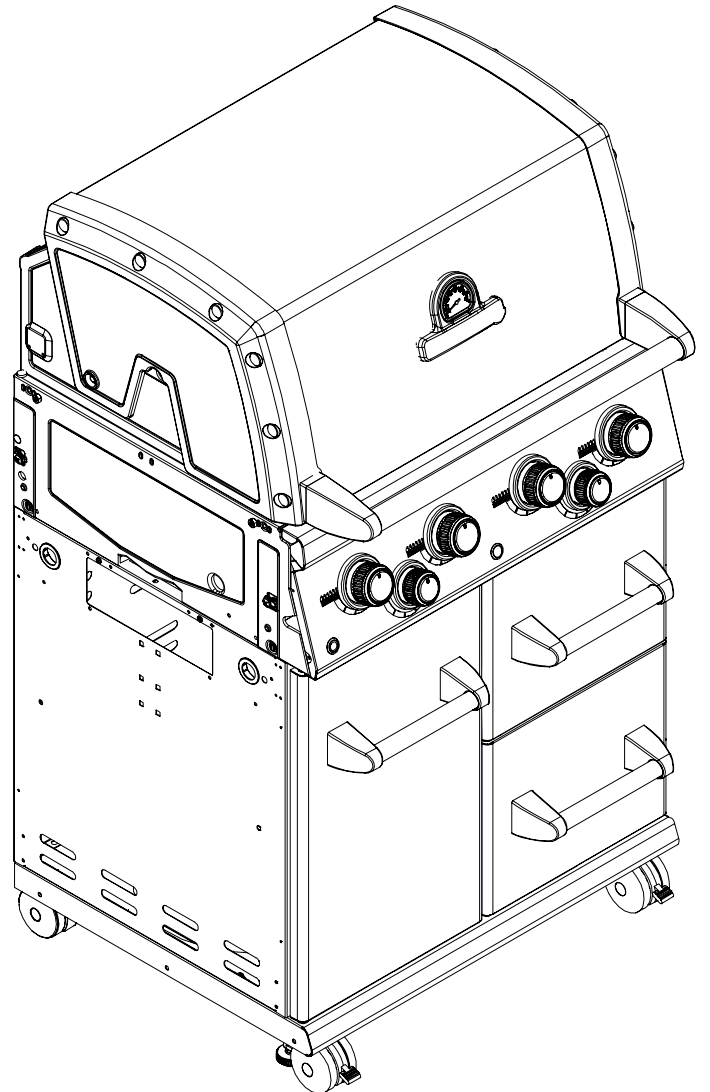
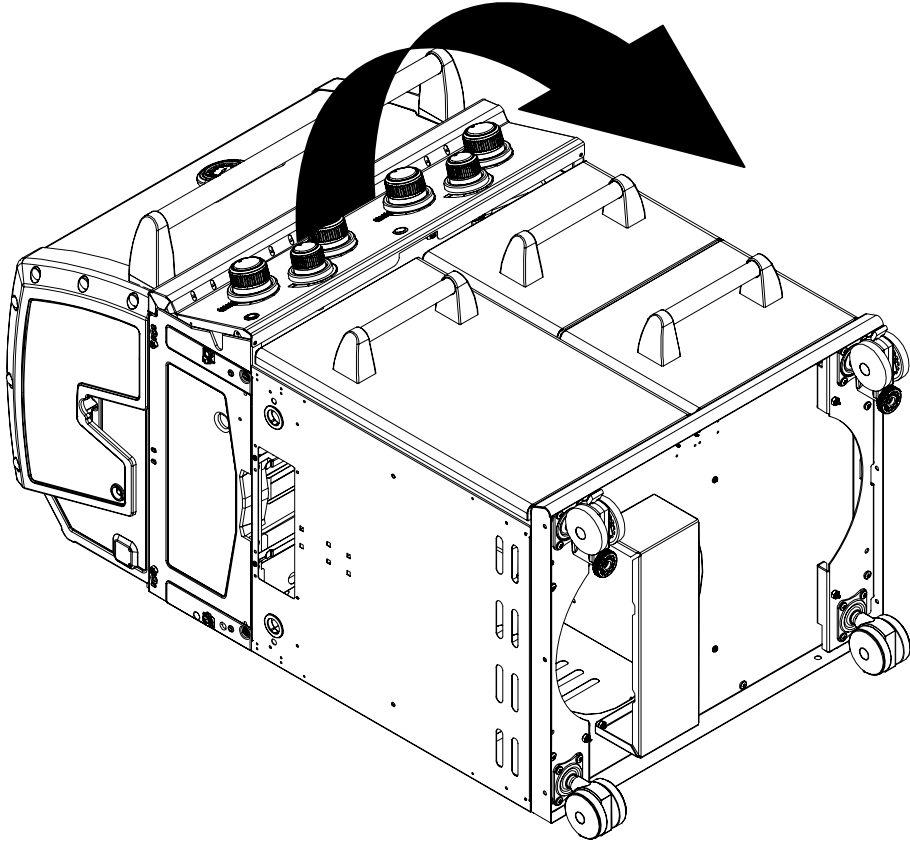


3

(16)

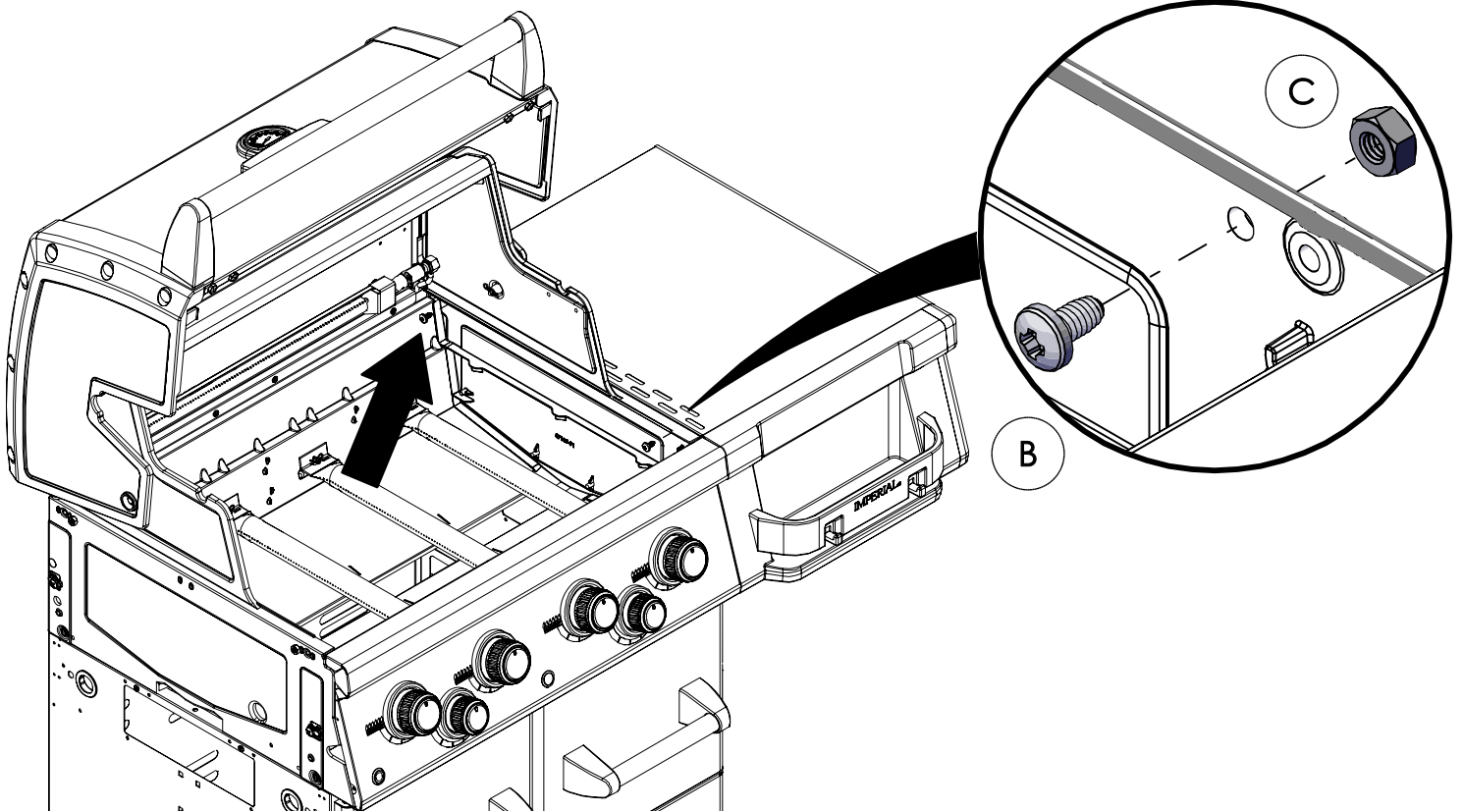
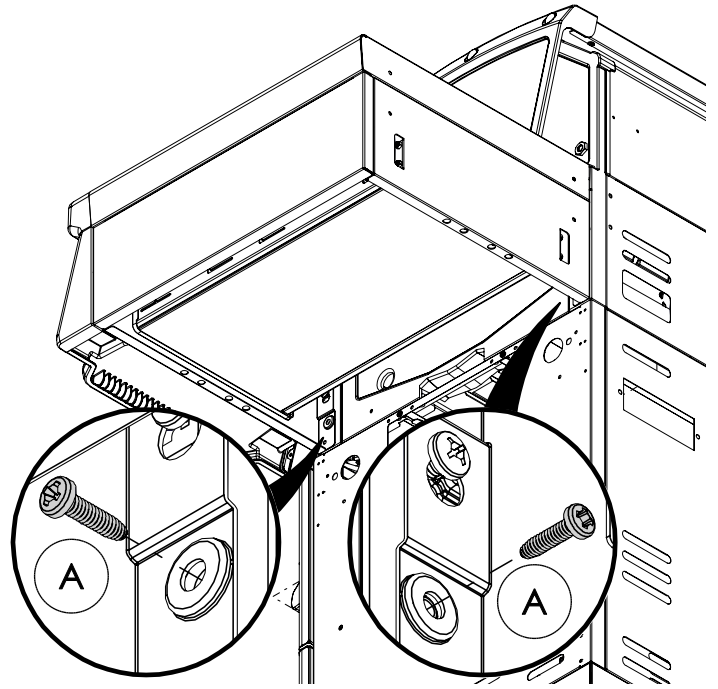
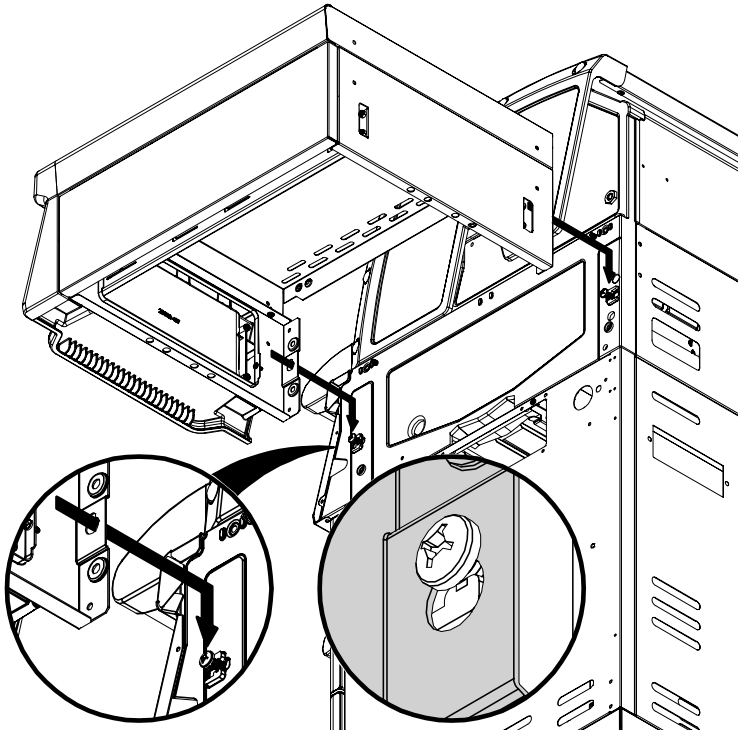


4

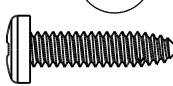
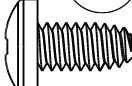



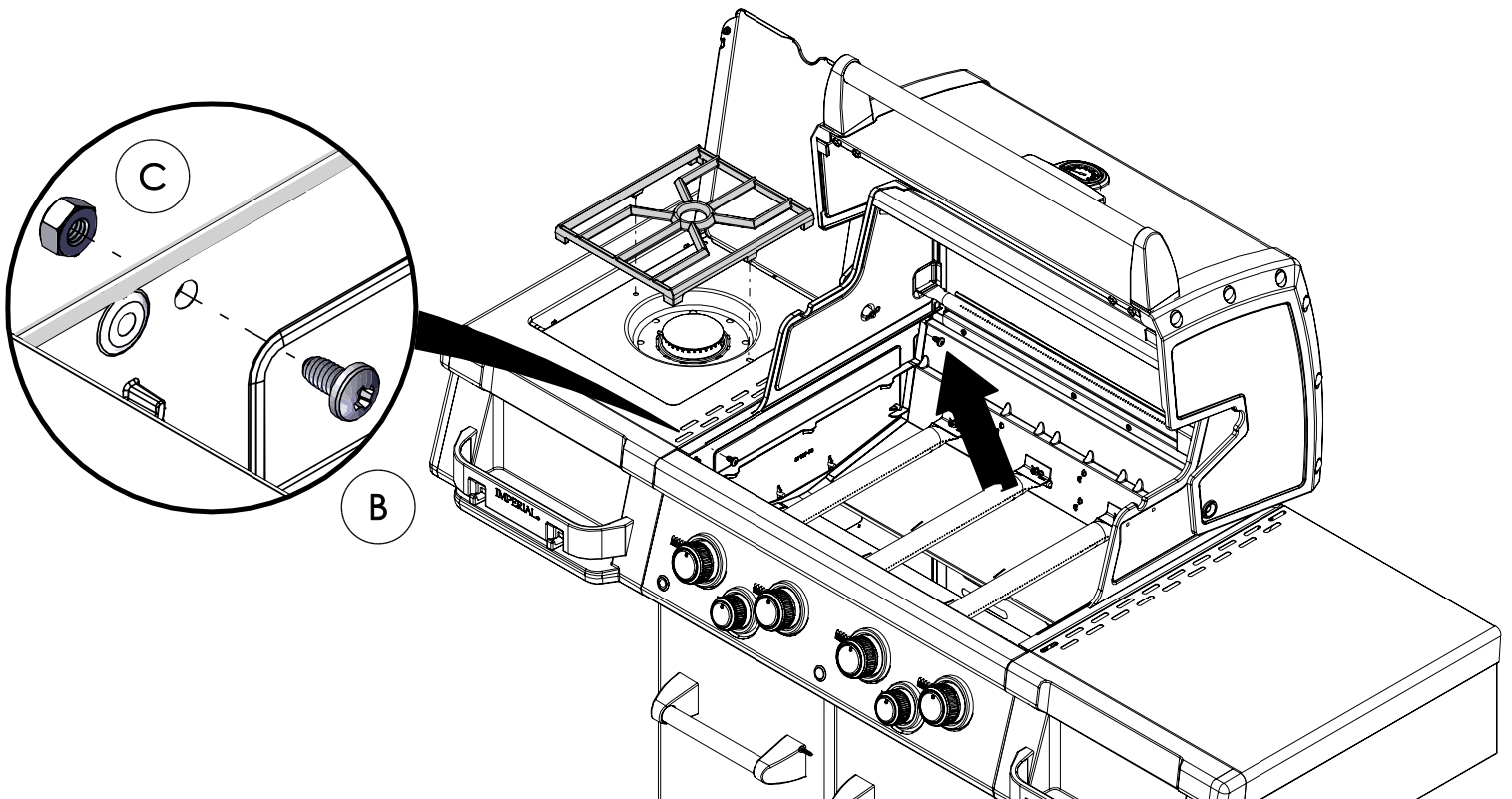
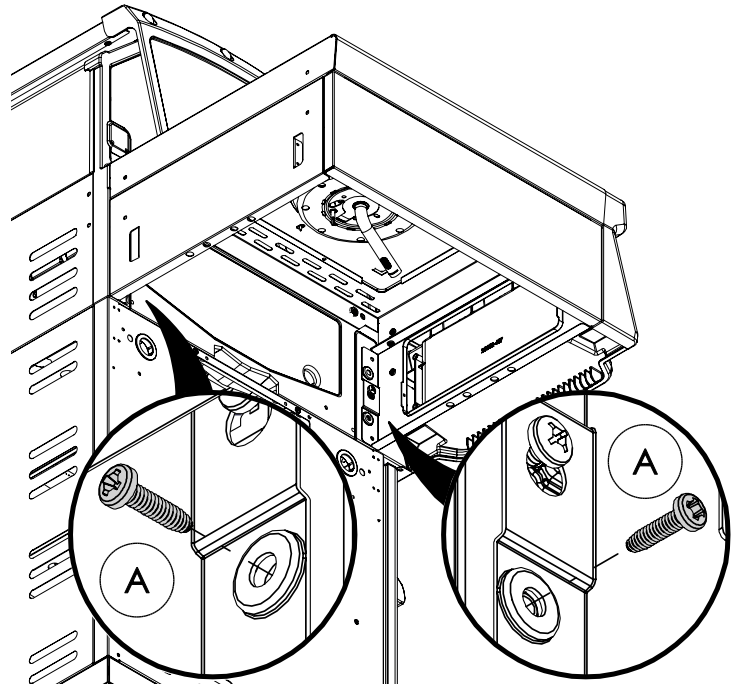
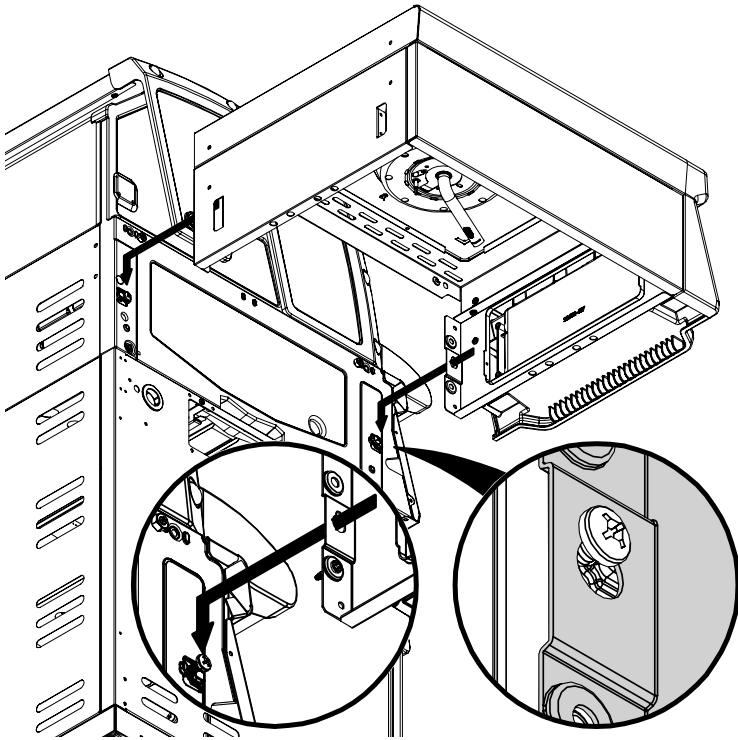
5

- (2) A
- (2) B
- (2) C

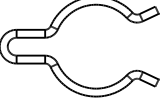


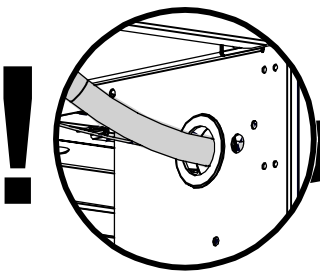
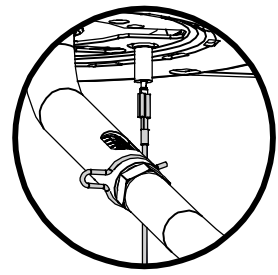
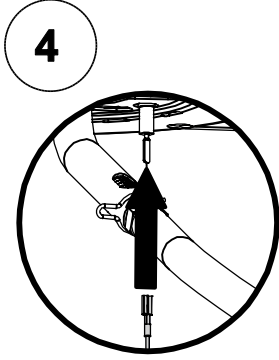
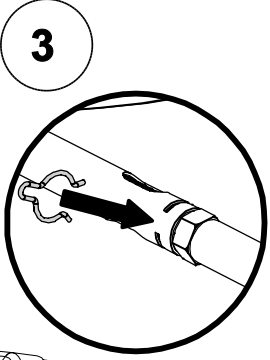
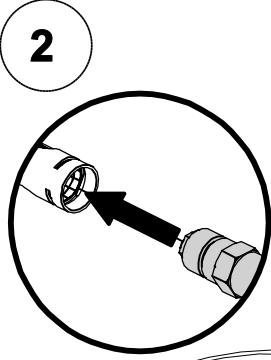
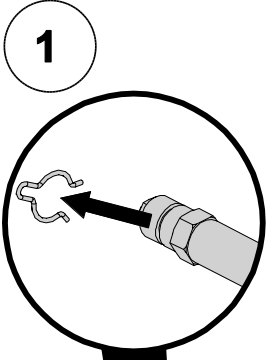
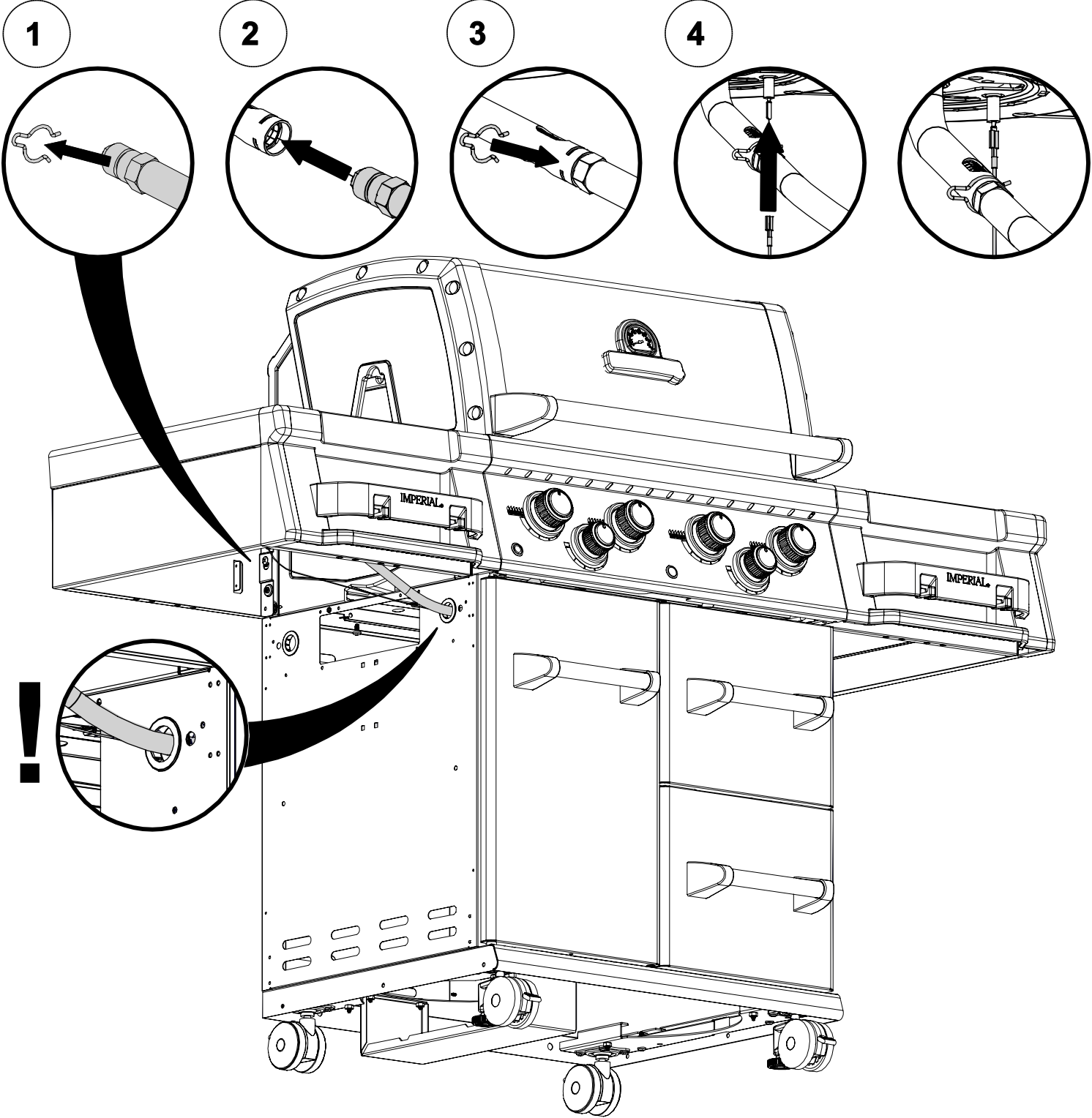
6

- (2) **A** 
- (2) **B** 
- (2) **C** 

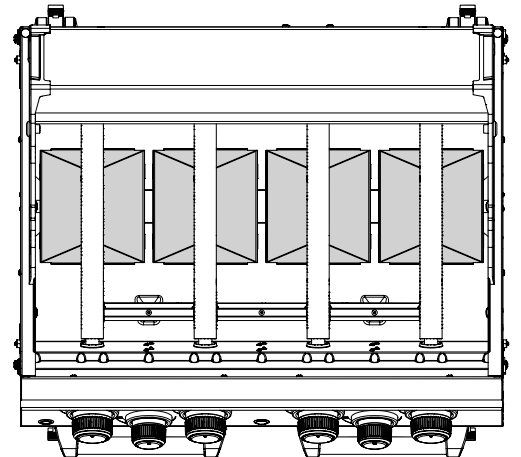
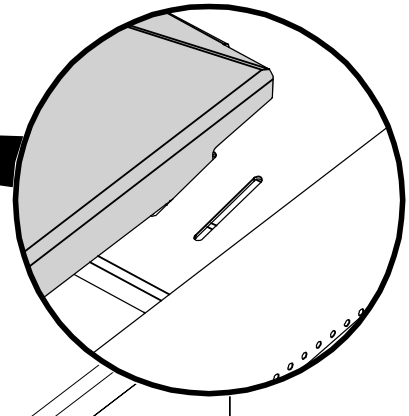
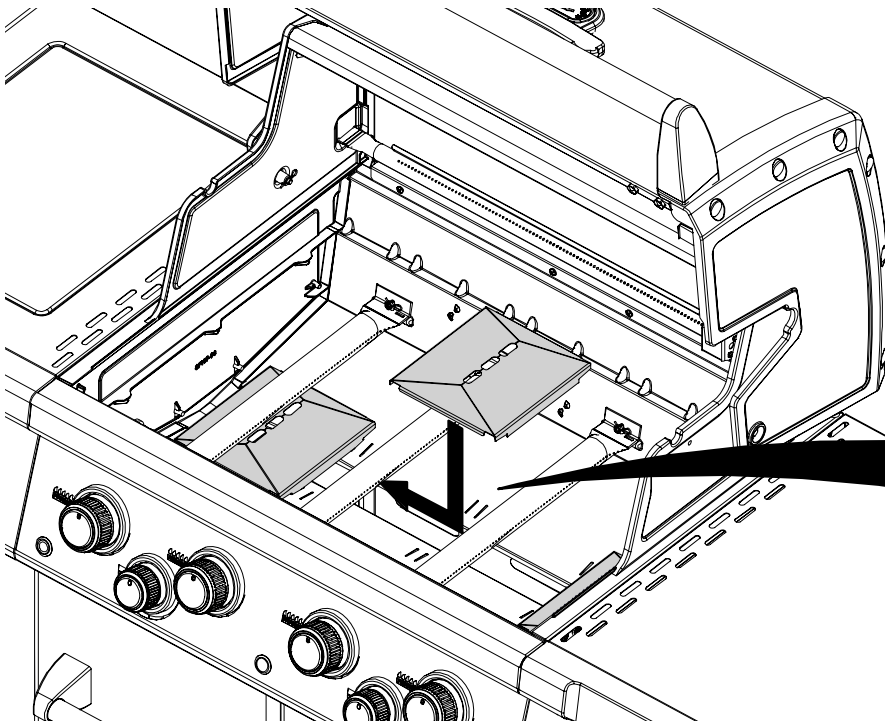
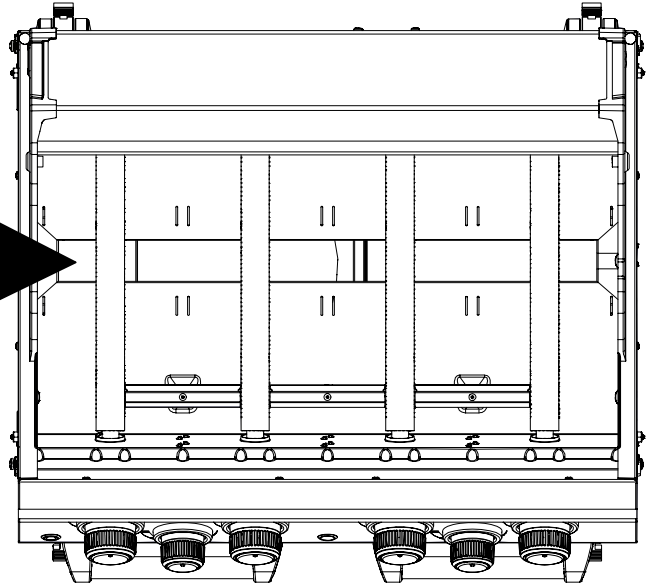
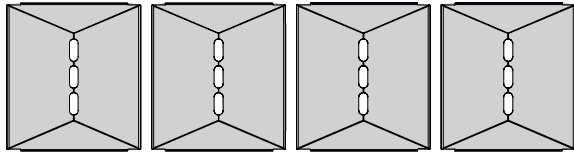


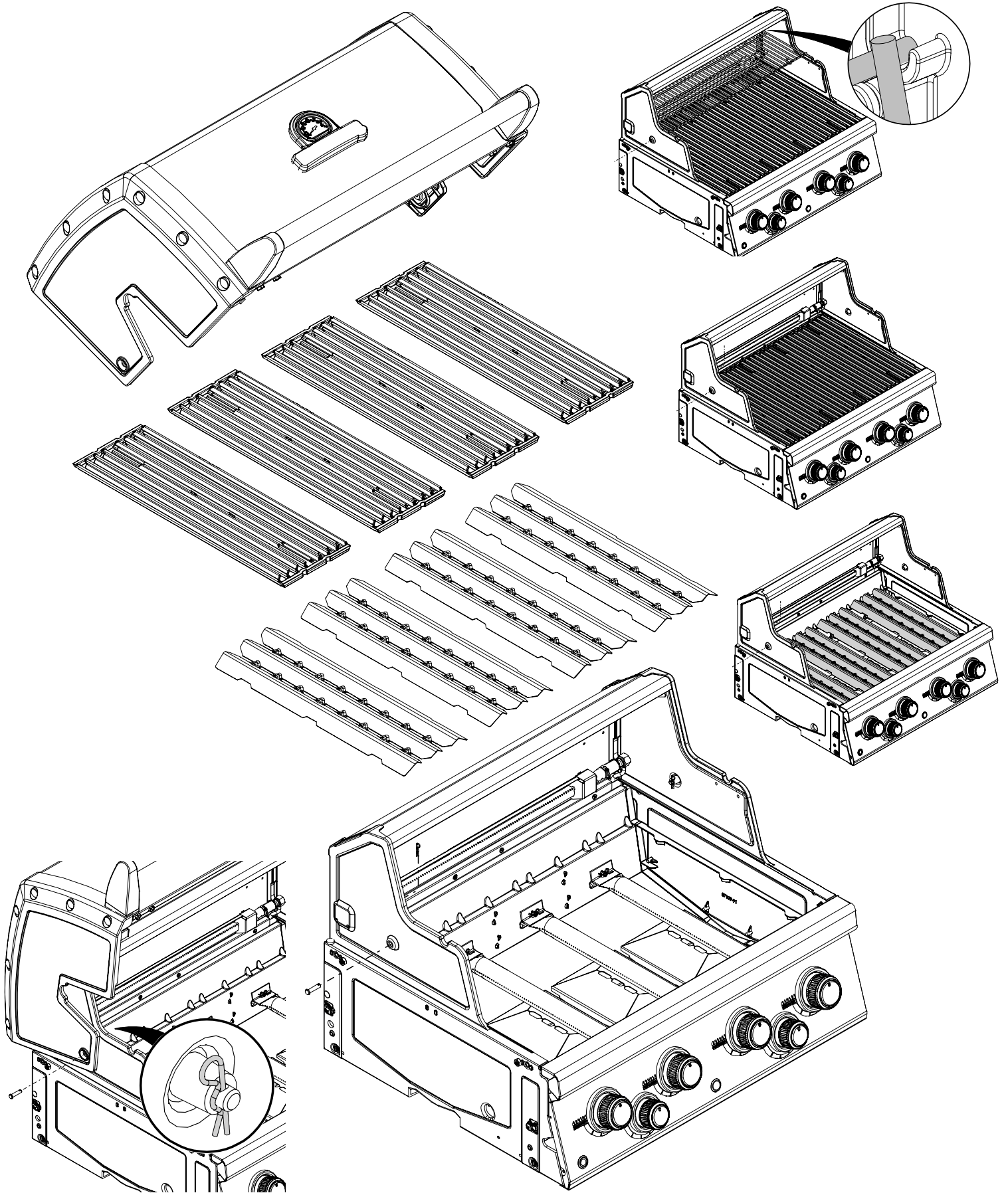
7

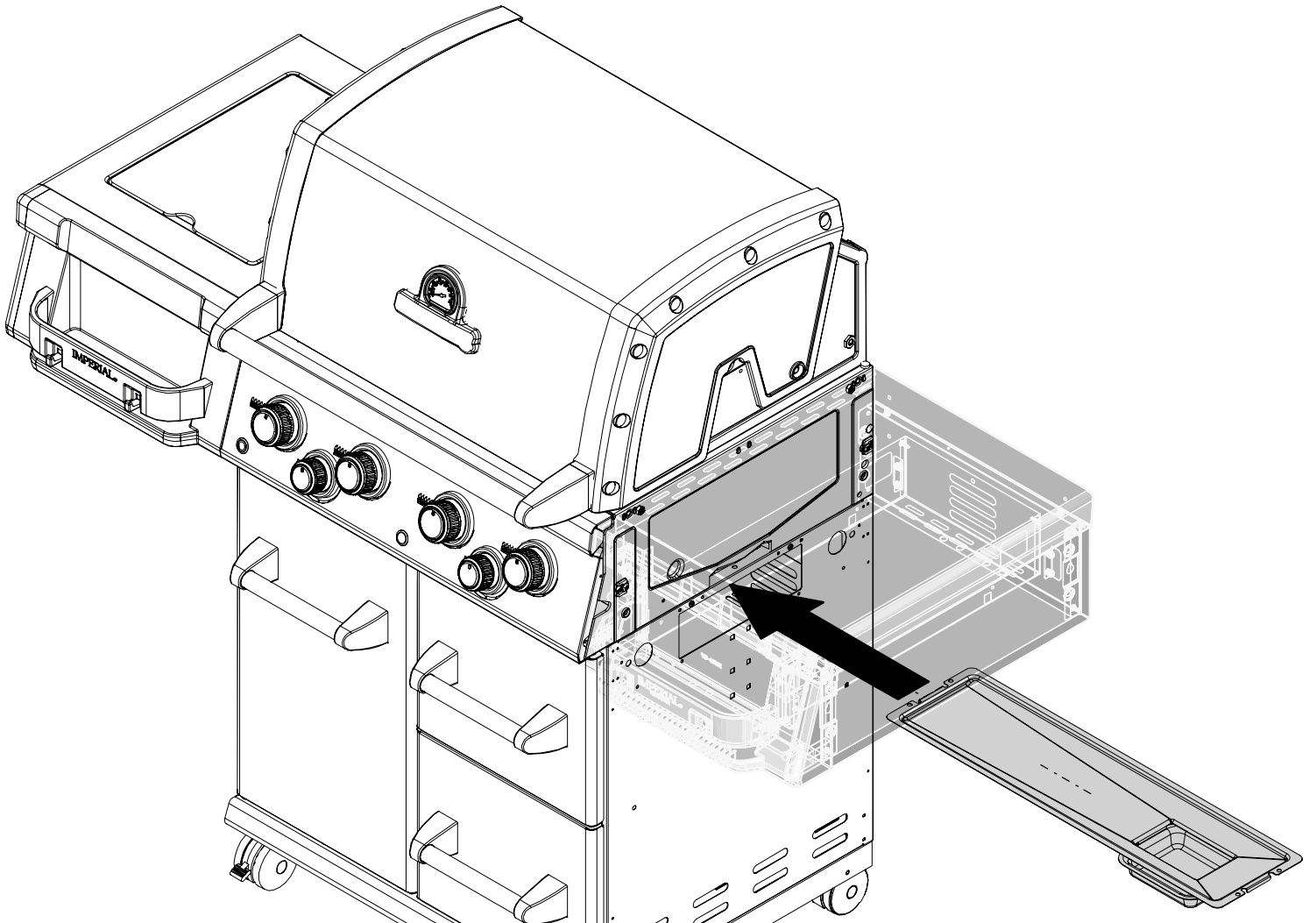
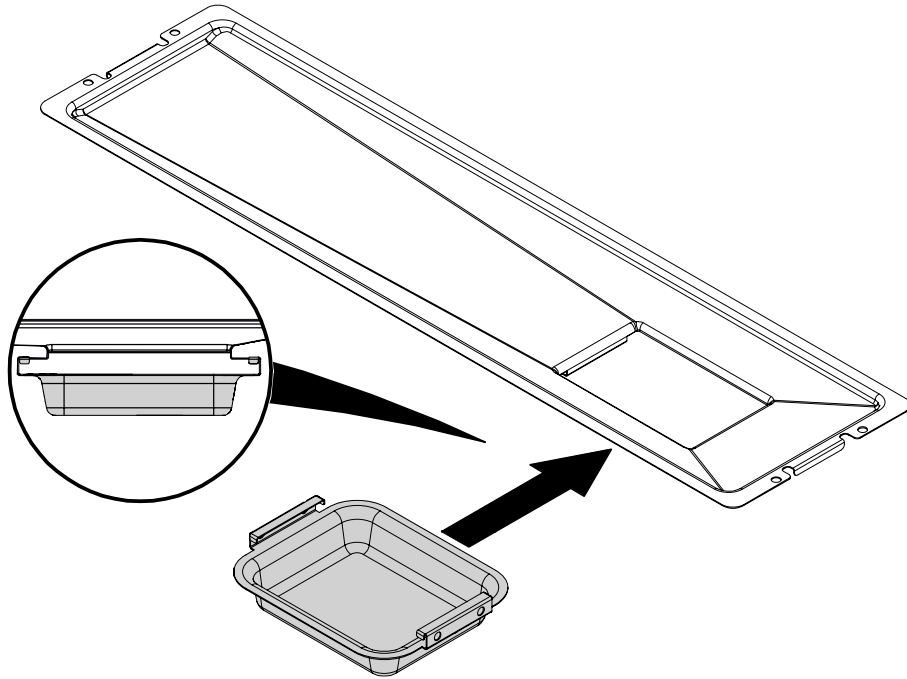
(1) 



8

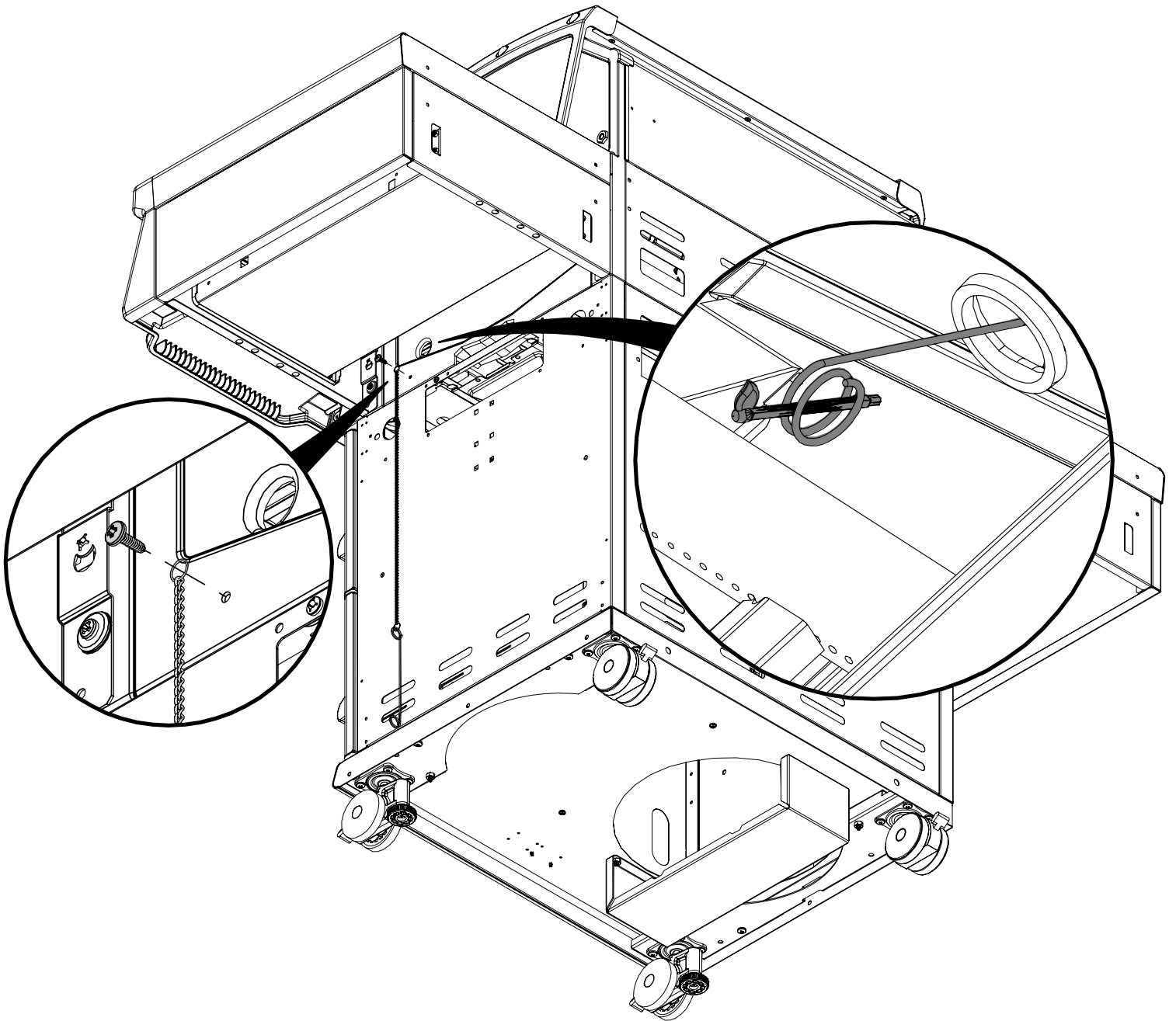




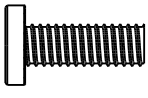



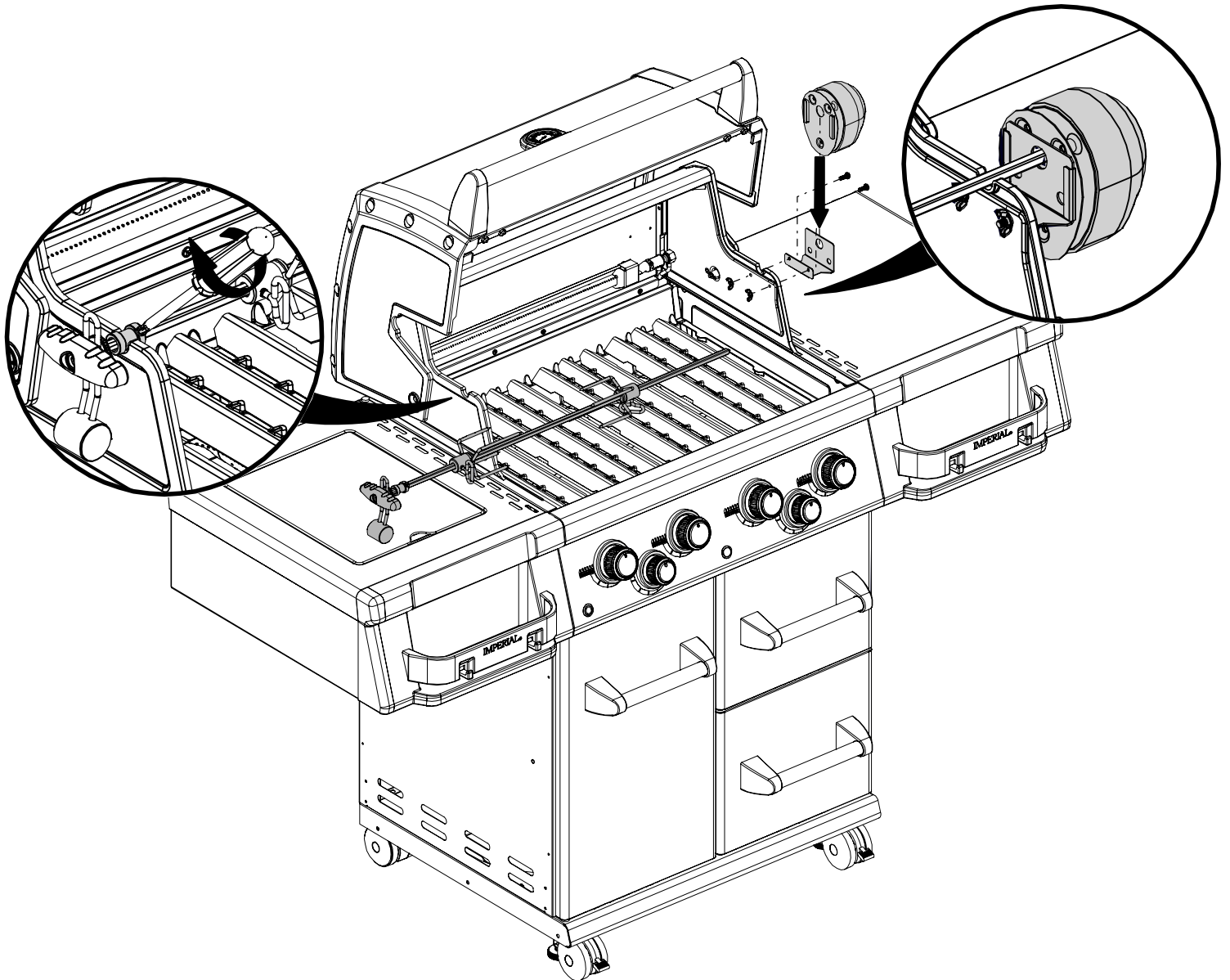
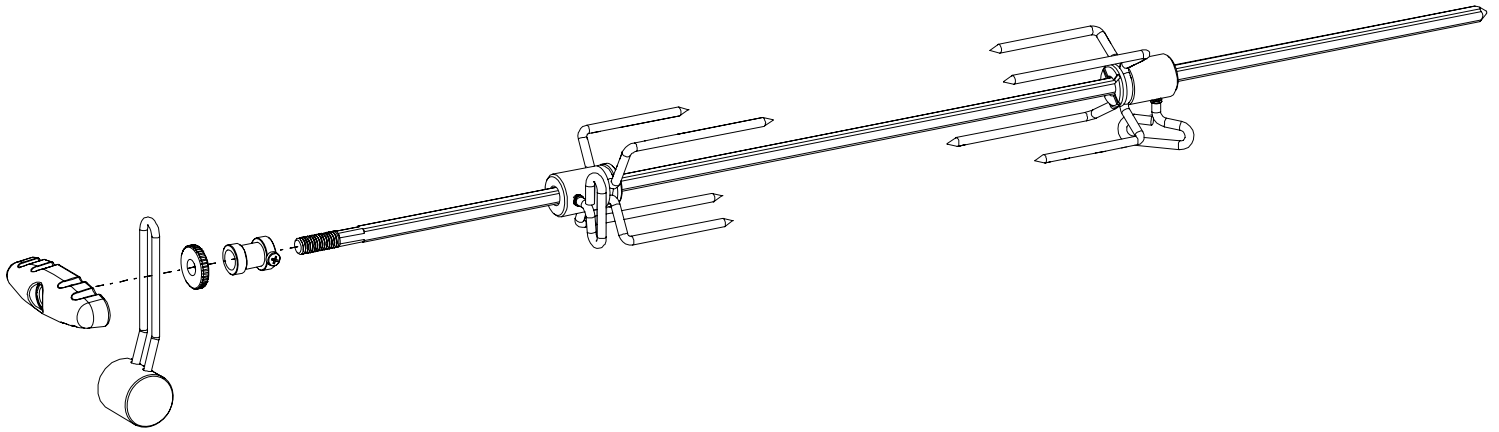
11

(1)  (1)



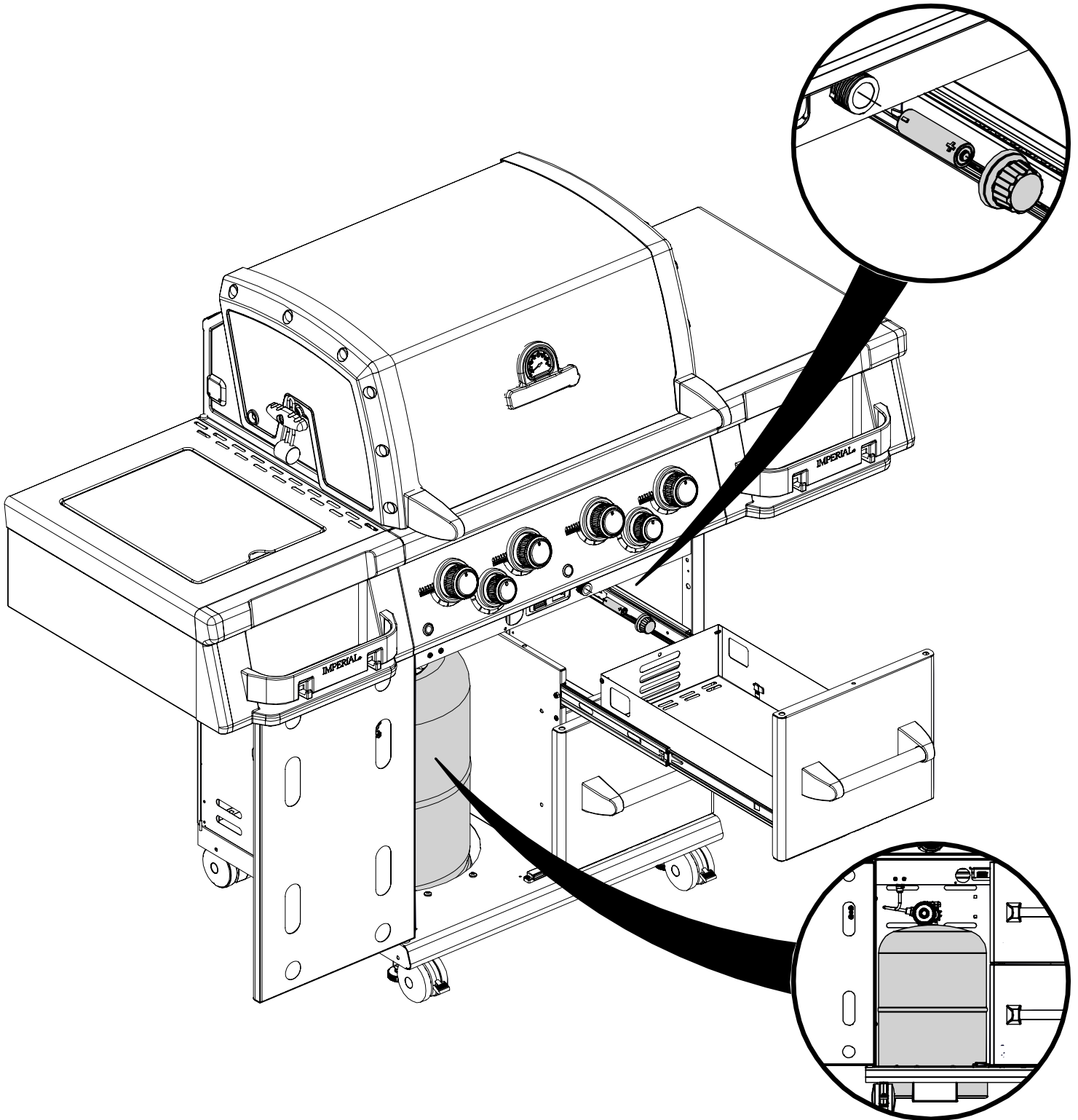
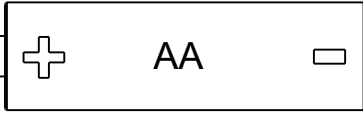
12

(2)  (2) 



13

(1)



PARTS LIST / LISTE DES PIECES

| <u>KEY #</u> | <u>ITEM #</u> | <u>DESCRIPTION</u> | <u>9568-82DE</u> | <u>9568-83EU</u> | <u>9568-83UK</u> | <u>9568-86UK</u> |
|--------------|---------------|--------------------------|------------------|------------------|------------------|------------------|
| | | | <u>9968-82DE</u> | <u>9996-83EU</u> | <u>9968-83UK</u> | <u>9968-86UK</u> |
| 1 | 27005-703 | FIRE BOX ASSEMBLY | 1 | 1 | 1 | 1 |
| 2 | 86005-303 | LID ASSEMBLY | 1 | 1 | 1 | 1 |
| 5 | 27249-904 | GREASE SHIELD | 4 | 4 | 4 | 4 |
| 7 | Y-11544 | SCREW - BURNER | 4 | 4 | 4 | 4 |
| 8 | S21242 | HITCH PIN CLIP | 4 | 4 | 4 | 4 |
| 18 | 22005-283 | CAST S.S. GRID | 4 | 4 | 4 | 4 |
| 20 | 22005-991 | GRID - WARMING RACK | 1 | 1 | 1 | 1 |
| 22 | 22025-904 | COLLECTOR BOX | 1 | 1 | 1 | 1 |
| 25 | 22909-104D | BURNER | 1 | • | • | • |
| | 22909-104E | BURNER | • | 1 | 1 | • |
| | 22909-104NGE | BURNER | • | • | • | 1 |
| 26 | 22001-769 | CONTROL KNOB | 4 | 4 | 4 | 4 |
| 26A | 22001-669 | CONTROL KNOB | 2 | 2 | 2 | 2 |
| 27 | 22002-264 | CONTROL BEZEL | 4 | 4 | 4 | 4 |
| 27A | 22001-164 | CONTROL BEZEL | 2 | 2 | 2 | 2 |
| 28 | 22025-493 | CONTROL COVER | 1 | 1 | 1 | 1 |
| 32 | 10111-15A | CORRUGATED STEEL HOSE | 1 | 1 | 1 | 1 |
| 34 | S13473-073 | HOSE-SIDE BURNER | 1 | • | • | • |
| | S13473-079 | HOSE-SIDE BURNER | • | 1 | 1 | • |
| | S12473-109 | HOSE-SIDE BURNER | • | • | • | 1 |
| 34A | Y-11230 | COTTER PIN | 1 | 1 | 1 | 1 |
| 35 | 29005-072 | CONTROL ASSEMBLY | 1 | • | • | • |
| | 29005-073 | CONTROL ASSEMBLY | • | 1 | 1 | • |
| | 29005-076 | CONTROL ASSEMBLY | • | • | • | 1 |
| 36 | 10342-T21 | ELECTRODE – SIDE BURNER | 1 | 1 | 1 | 1 |
| 37 | 20809-957 | TUBE-REAR BURNER ASSY | 1 | 1 | 1 | 1 |
| 38 | Y-11990 | HEX NUT | 1 | 1 | 1 | 1 |
| 43 | 10342-E13 | ELECTRODE | 2 | 2 | 2 | 2 |
| 44 | 10342-44 | ELECTRONIC IGNITOR | 1 | 1 | 1 | 1 |
| 44A | 25070-92 | WIRE - IGNITOR | 1 | 1 | 1 | 1 |
| 44B | 25070-93 | BUTTON -IGNITOR | 1 | 1 | 1 | 1 |
| 47 | 21035-991 | GREASE RAIL | 2 | 2 | 2 | 2 |
| 48 | 22009-901 | GREASE PAN | 1 | 1 | 1 | 1 |
| 49 | 27055-901 | GREASE TRAY | 1 | 1 | 1 | 1 |
| 51 | 22209-904 | FLAV-R-WAVE ® | 4 | 4 | 4 | 4 |
| 56 | 24005-239 | HANDLE | 1 | 1 | 1 | 1 |
| 58 | 26009-917 | HANDLE END CAP | 2 | 2 | 2 | 2 |
| 58A | 24009-938 | HANDLE STANDOFF | 2 | 2 | 2 | 2 |
| 59 | 10081-BK630 | NAMEPLATE | 1 | 1 | 1 | 1 |
| 60 | 10571-6 | HEAT INDICATOR | 1 | 1 | 1 | 1 |
| 65 | 20005-000 | MATCH LIGHT - STICK | 1 | 1 | 1 | 1 |
| 68 | 23275-133A | DOOR | 1 | 1 | 1 | 1 |
| 70 | 21079-906 | HANDLE END CAP | 6 | 6 | 6 | 6 |
| 71 | 21171-23 | HANDLE - SMALL | 3 | 3 | 3 | 3 |
| 74 | Y-99100 | DRAWER SLIDE | 2 | 2 | 2 | 2 |
| 77 | 21165-113A | DRAWER ASSEMBLY | 2 | 2 | 2 | 2 |
| 78 | 21335-111 | BRACKET - DOOR CATCH | 1 | 1 | 1 | 1 |
| 80 | 21109-905R | SIDE PANEL | 2 | 2 | 2 | 2 |
| 83 | 21065-901R | DRAWER CENTER MOUNT | 1 | 1 | 1 | 1 |
| 84 | 21069-901 | DRAWER SUPPORT | 1 | 1 | 1 | 1 |
| 88 | 21305-925R | PANEL - REAR | 1 | 1 | 1 | 1 |
| 90 | 21795-935 | BASE | 1 | 1 | 1 | 1 |
| 100 | 21039-911 | BRACKET – CASTOR SUPPORT | 2 | 2 | 2 | 2 |
| 101 | 21039-301 | TANK SUPPORT | 1 | 1 | 1 | 1 |
| 102 | 10892-23 | CASTOR | 2 | 2 | 2 | 2 |
| 102A | 10892-285 | CASTOR | 2 | 2 | 2 | 2 |
| 114 | 23102-813 | SHELF ASSEMBLY - RH | 1 | 1 | 1 | 1 |
| 115 | 23102-853 | SHELF ASSEMBLY - LH | 1 | 1 | 1 | 1 |
| 123 | Y-12117 | SIDE BURNER LID BUSHING | 2 | 2 | 2 | 2 |
| 124 | 23000-271 | SIDE BURNER BODY | 1 | 1 | 1 | 1 |

PARTS LIST / LISTE DES PIECES

| <u>KEY #</u> | <u>ITEM #</u> | <u>DESCRIPTION</u> | <u>9568-82DE</u> | <u>9568-83EU</u> | <u>9568-83UK</u> | <u>9568-86UK</u> |
|--------------|---------------|---------------------------|------------------|------------------|------------------|------------------|
| | | | <u>9968-82DE</u> | <u>9996-83EU</u> | <u>9968-83UK</u> | <u>9968-86UK</u> |
| 125 | 23000-253 | SIDE BURNER COVER | 1 | 1 | 1 | 1 |
| 126 | 10390-R81D | SIDE BURNER | 1 | • | • | • |
| | 10390-R81A | SIDE BURNER | • | 1 | 1 | 1 |
| 128 | 23009-99 | SIDE BURNER GRID | 1 | 1 | 1 | 1 |
| 130 | 27905-354E | BURNER ROTISSERIE | 1 | 1 | 1 | 1 |
| 131 | 10693-099 | REAR BURNER-ORIFICE | 1 | • | • | • |
| | 10693-132 | REAR BURNER-ORIFICE | • | 1 | 1 | • |
| | 10693-109 | REAR BURNER-ORIFICE | • | • | • | 1 |
| 133 | S15271 | HANDLE | 1 | 1 | 1 | 1 |
| 134 | S15270 | BALANCER | 1 | 1 | 1 | 1 |
| 135 | S15299 | WASHER | 1 | 1 | 1 | 1 |
| 136 | S15263 | BUSHING | 1 | 1 | 1 | 1 |
| 137 | S15256 | SPIT ROD | 1 | 1 | 1 | 1 |
| 138 | S15287 | 4 PRONG FORKS | 1 | 1 | 1 | 1 |
| 139 | 57039-901 | ROTISSERIE BRACKET | 1 | 1 | 1 | 1 |
| 140 | S21125 | SCREW #8 X 1/2 | 8 | 8 | 8 | 8 |
| 141 | Y-12310 | SCREW 1/4-20 X 3/4 | 8 | 8 | 8 | 8 |
| 144 | Y-12220 | BUSHING | 1 | 1 | 1 | 2 |
| 145 | S21235 | HINGE PIN | 2 | 2 | 2 | 2 |
| 146 | S21233 | HITCH PIN CLIP | 2 | 2 | 2 | 2 |
| 147 | Y-11231 | LID BUMPER | 2 | 2 | 2 | 2 |
| 148 | 10240-20 | DOOR PIN | 1 | 1 | 1 | 1 |
| 149 | Y-11551 | DOOR PIN - 1/4-20 X 1 | 1 | 1 | 1 | 1 |
| 150 | Y-12124 | DOOR PIN CAP | 1 | 1 | 1 | 1 |
| 151 | Y-11567 | SCREW M8 SHOULDER | 4 | 4 | 4 | 4 |
| 152 | Y-12222 | MAGNET | 1 | 1 | 1 | 1 |
| 153 | Y-12223 | SNAP IN MAGNET | 1 | 1 | 1 | 1 |
| 154 | Y-11560 | SCREW 1/4-20 X 1-1/2 | 8 | 8 | 8 | 8 |
| 155 | S21124 | SCREW #8 X 1/2 | 18 | 18 | 18 | 18 |
| 156 | Y-11793 | NUT 1/4-20 | 8 | 8 | 8 | 8 |
| 157 | Y-12835 | SCREW #6-32 X 1/4 | 2 | 2 | 2 | 2 |
| 158 | Y-12641 | SCREW - SHOULDER #8 X 1/2 | 2 | 2 | 2 | 2 |
| 159 | S21136 | SCREW #8-32 X 3/8 | 12 | 12 | 12 | 12 |
| 160 | Y-29304 | SCREW #10-24 X 3/8 | 2 | 2 | 2 | 2 |
| 161 | Y-29310 | SCREW #10-24 X 3/4 | 4 | 4 | 4 | 4 |
| 163 | S35094 | SCREW #10-24 X 5/8 | 1 | 1 | 1 | 1 |
| 164 | S21084 | SCREW #14 X 5/8 | 4 | 4 | 4 | 4 |
| 168 | Y-11208 | LOCK WASHER | 2 | 2 | 2 | 2 |
| 169 | S21061 | WING NUT | 2 | 2 | 2 | 2 |
| 170 | Y-12084 | NUT - 10-24 | 6 | 6 | 6 | 6 |
| 171 | S15246 | MOTOR | 1 | 1 | 1 | 1 |
| 172 | S15508 | REAR BURNER ELECTRODE | 1 | 1 | 1 | 1 |
| 173 | S21362 | SPRING | 1 | 1 | 1 | 1 |
| 174 | Y-12871 | SCREW M4 X 0.7 | 2 | 2 | 2 | 2 |
| 176 | Y-29307 | NUT #10-24 | 2 | 2 | 2 | 2 |
| 180 | S35095 | SCREW #10-24 X 5/8 | 2 | 2 | 2 | 2 |
| 181 | 25070-91 | WIRE - TRANSFORMER | 1 | 1 | 1 | 1 |
| 181A | 25070-95 | LIGHT SWITCH | 1 | 1 | 1 | 1 |
| 182 | 25020-71 | OVEN LIGHT | 2 | 2 | 2 | 2 |
| 184 | 25080-90EU | TRANSFORMER | 1 | 1 | • | • |
| | 25080-90UK | TRANSFORMER | • | • | 1 | 1 |
| 185 | 25030-72 | WIRE - OVEN LIGHT | 1 | 1 | 1 | 1 |
| 186 | Y-12865 | BOLT 1/4-20 X 1/2 | 32 | 32 | 32 | 32 |
| 190 | 25020-83 | WIRE - LED LIGHT | 1 | 1 | 1 | 1 |
| 191 | 25020-83 | WIRE - LED LIGHT | 1 | 1 | 1 | 1 |
| 192 | Y-29306 | SCREW #10-24 X 3/4 | 4 | 4 | 4 | 4 |
| 193 | SP11-25 | LID BUMPER | 2 | 2 | 2 | 2 |

