

Broil King®



BARON 590
923982
923983



BARON S590
923582
923583

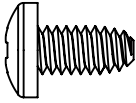
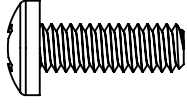
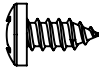
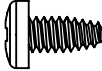
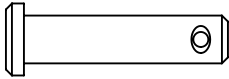
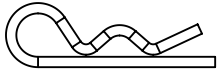
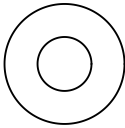
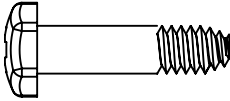
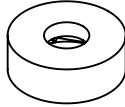
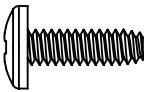
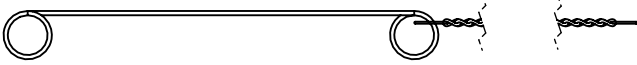
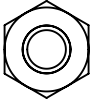
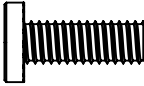
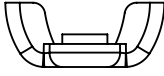


BARON 520
923952
923953



HARDWARE INCLUDED



Y-12865		x16	Y-12310		x8	S21125		x8
Y-29304		x6	S21235		x2	S21233		x2
Y-12857		x4	Y-11551		x2	Y-12124		x2
S35094		x1	20005-000					x1
Y-11793		x4	S35095		x2	S21061		x2

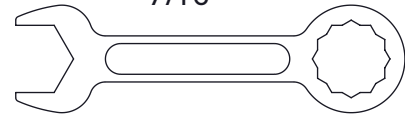
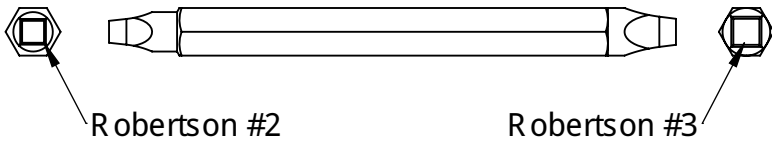


TOOLS REQUIRED

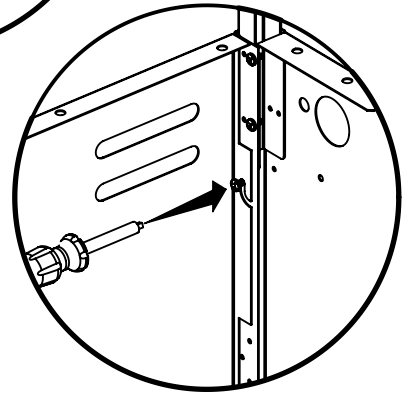
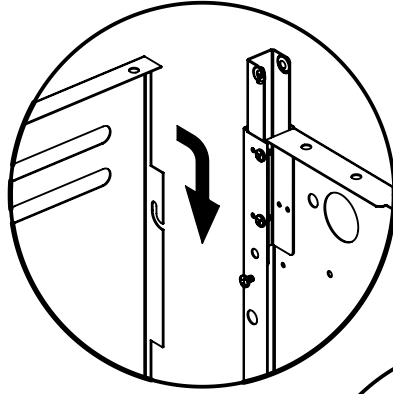
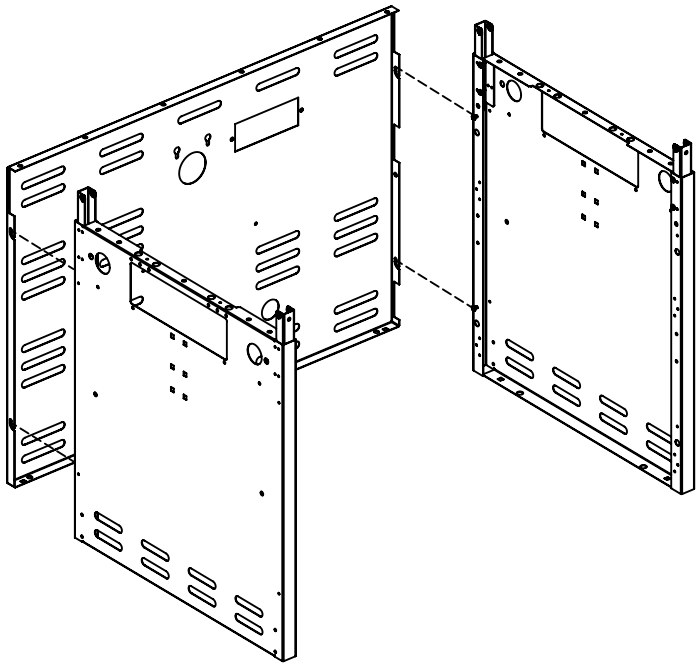


Y-31223

7/16"

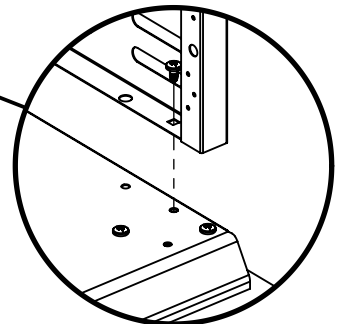
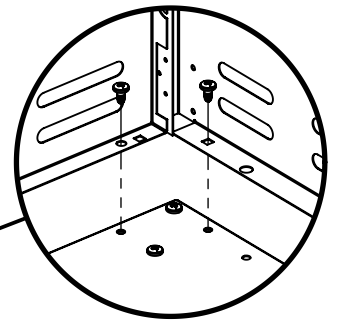
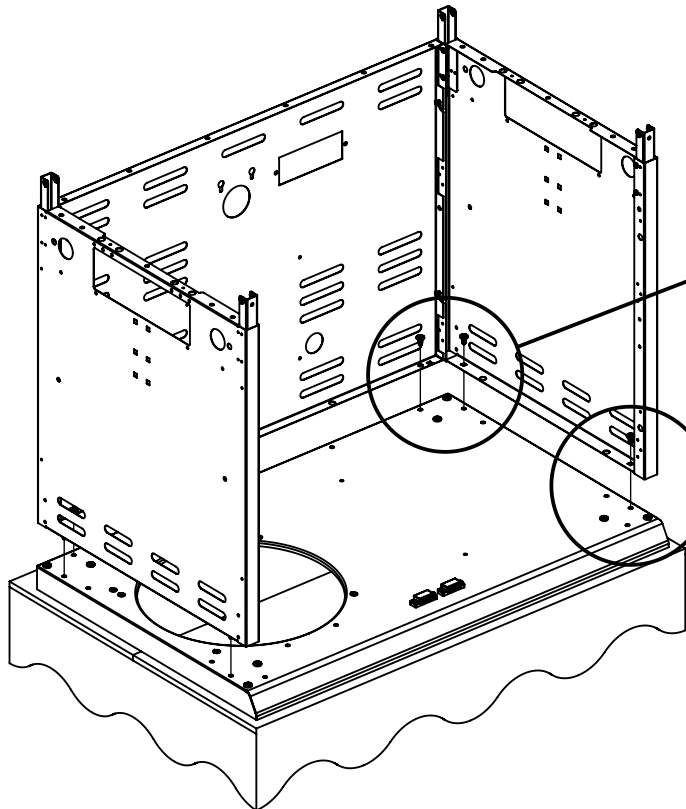
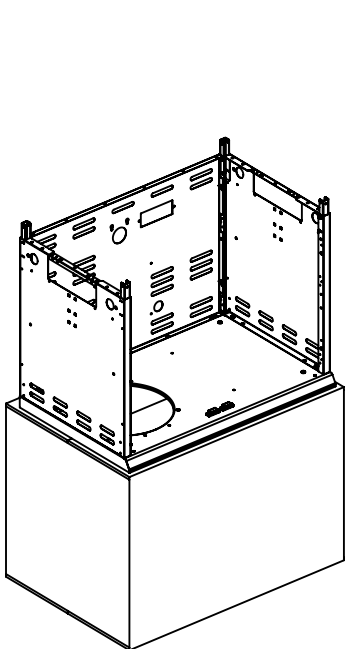
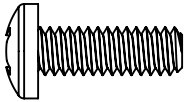


1

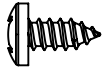


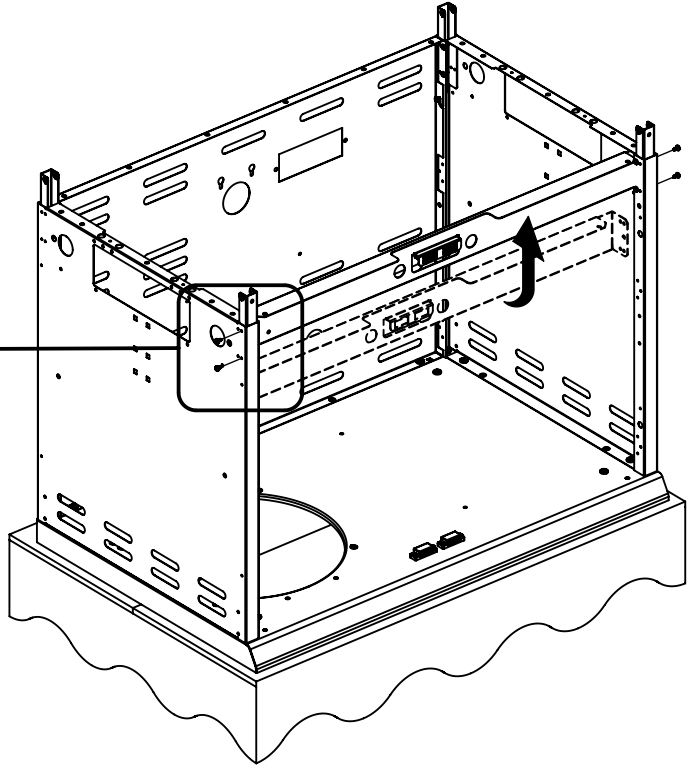
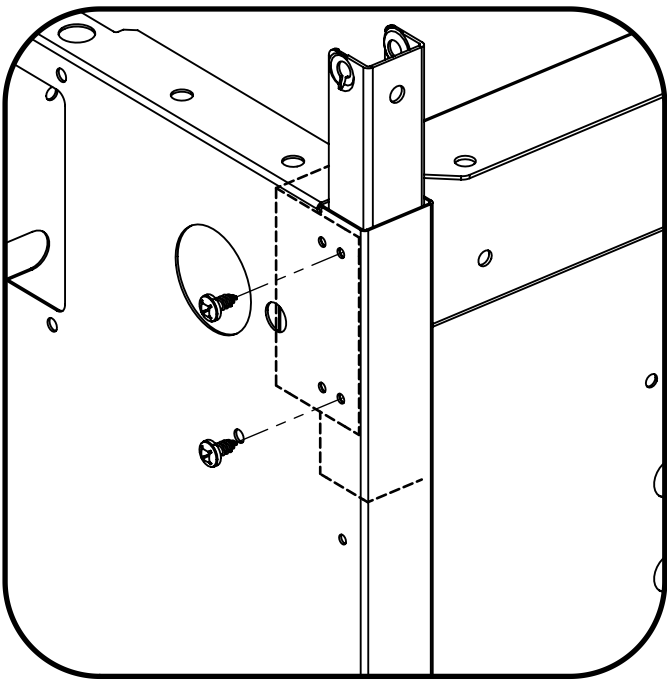
2

(6)

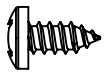


3

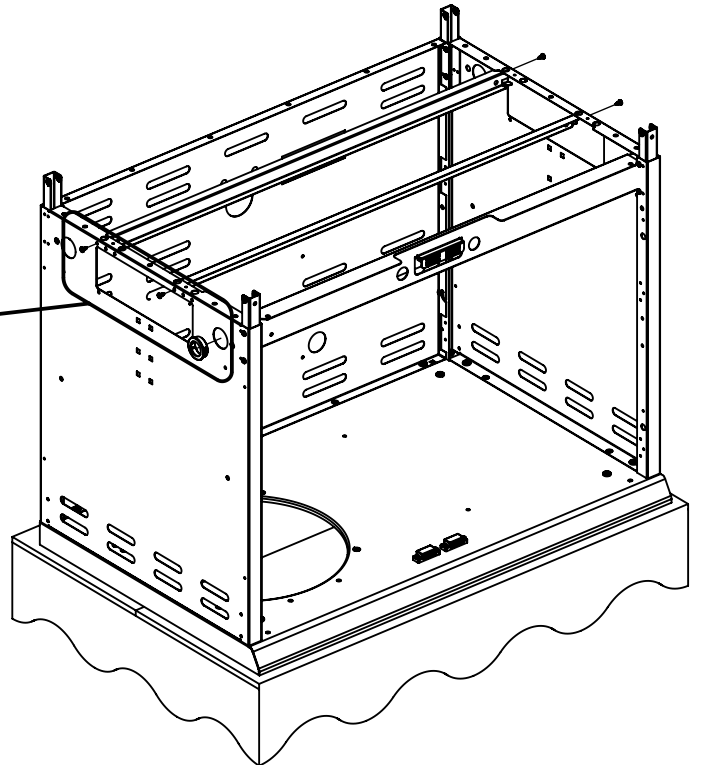
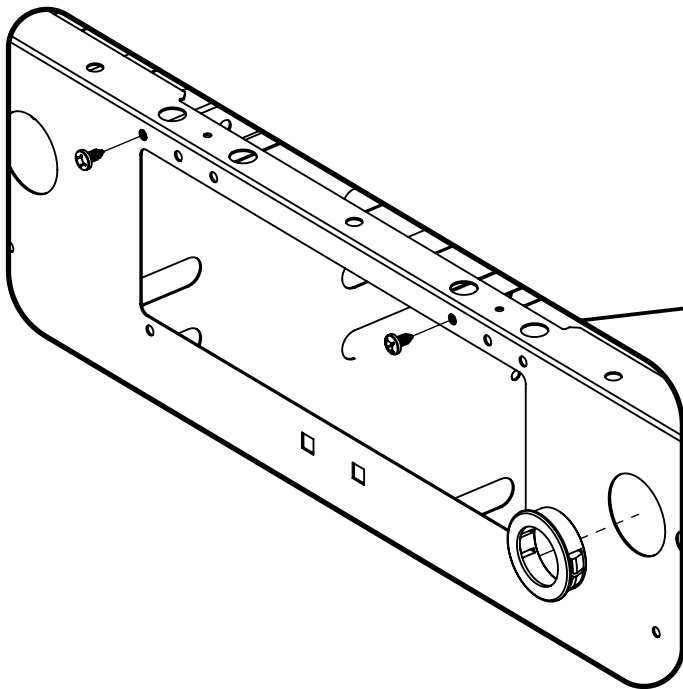
(4) 



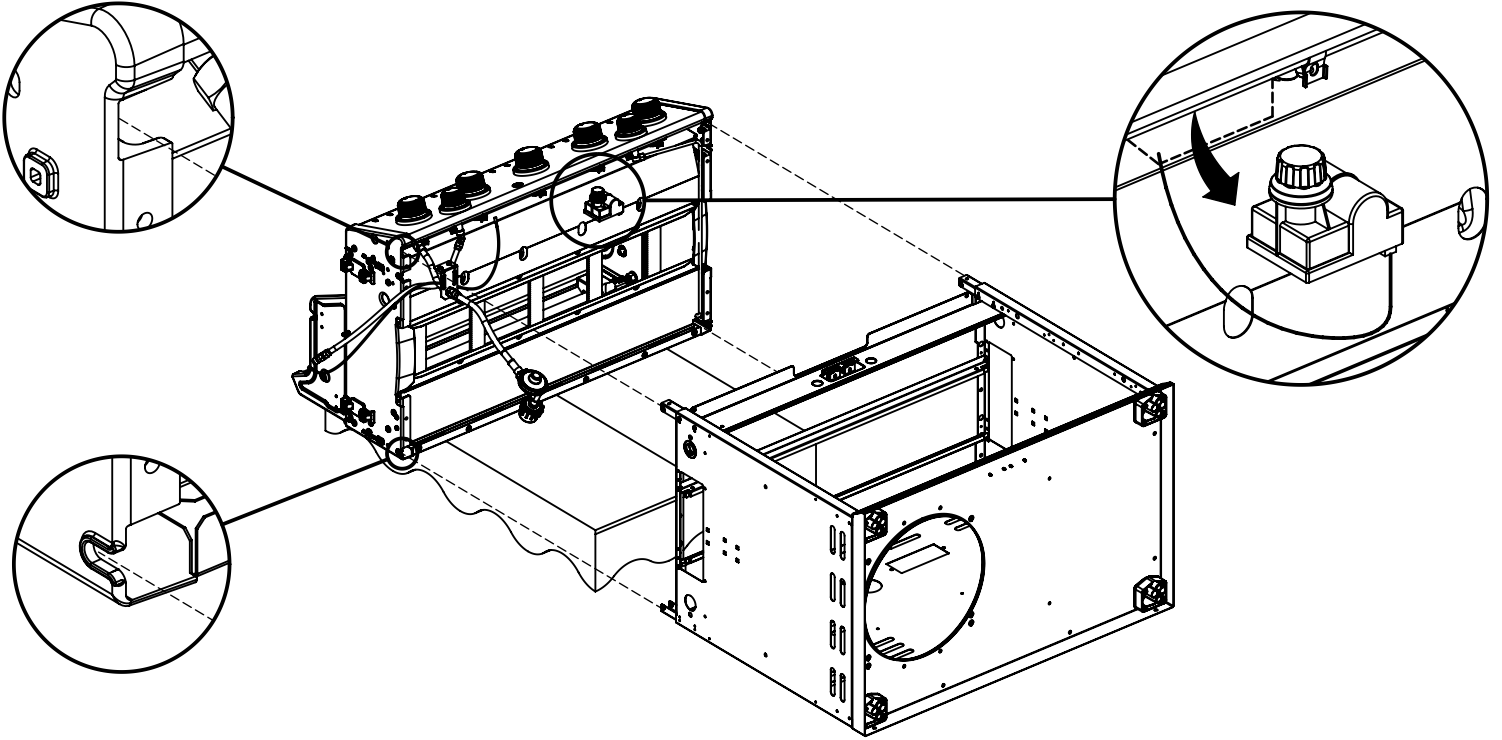
4

(4) 

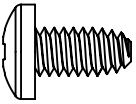
(1) 

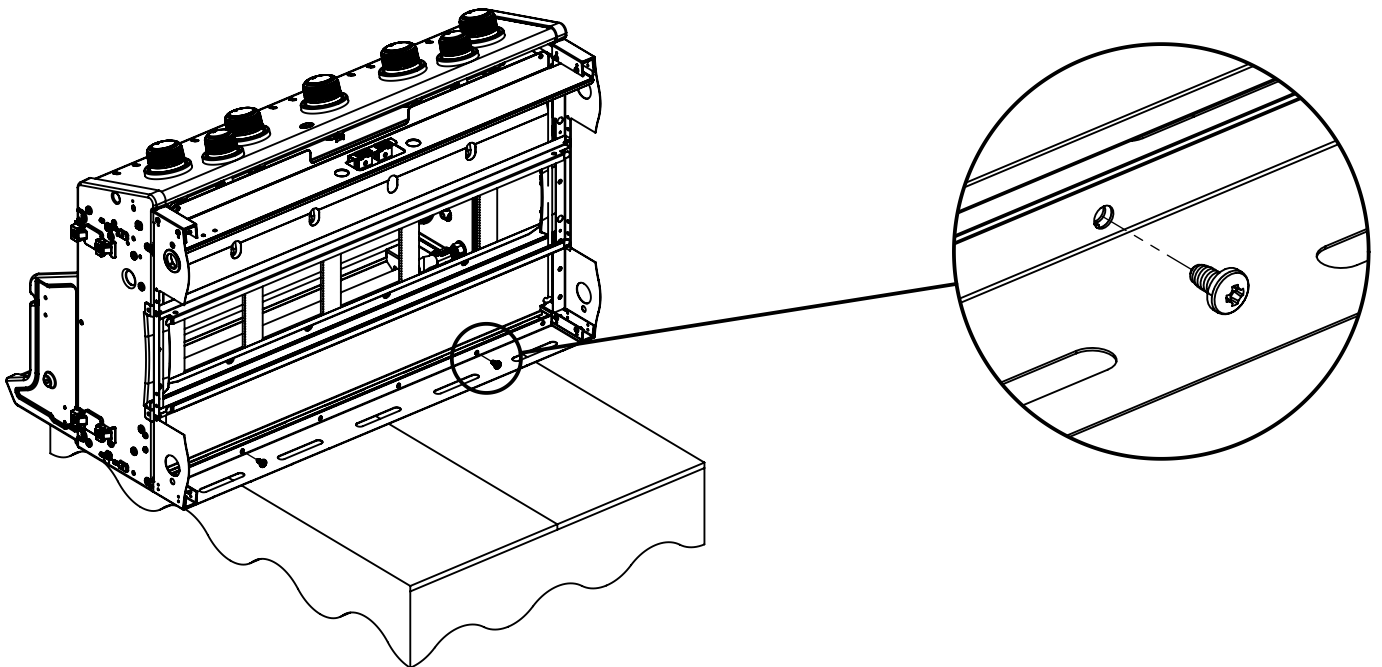


5



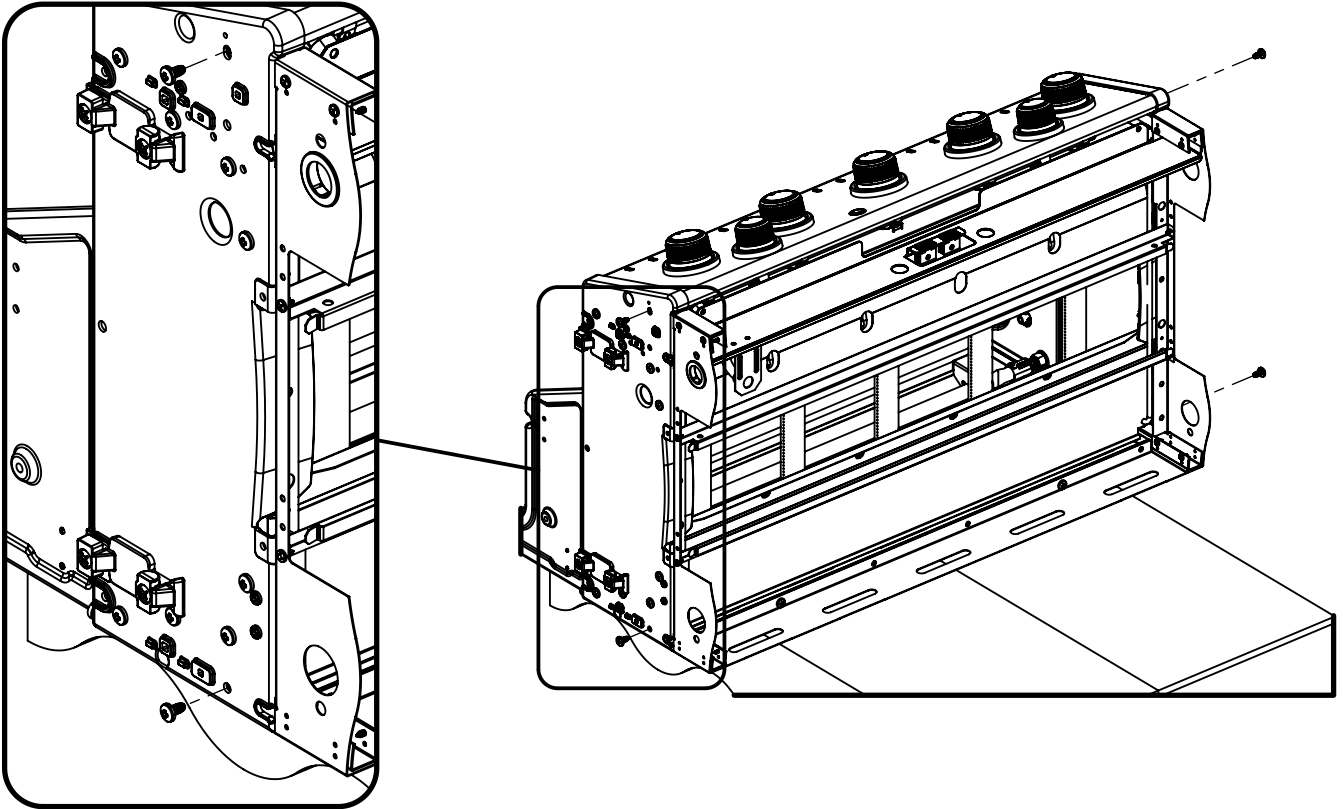
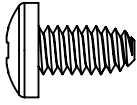
6

(2) 



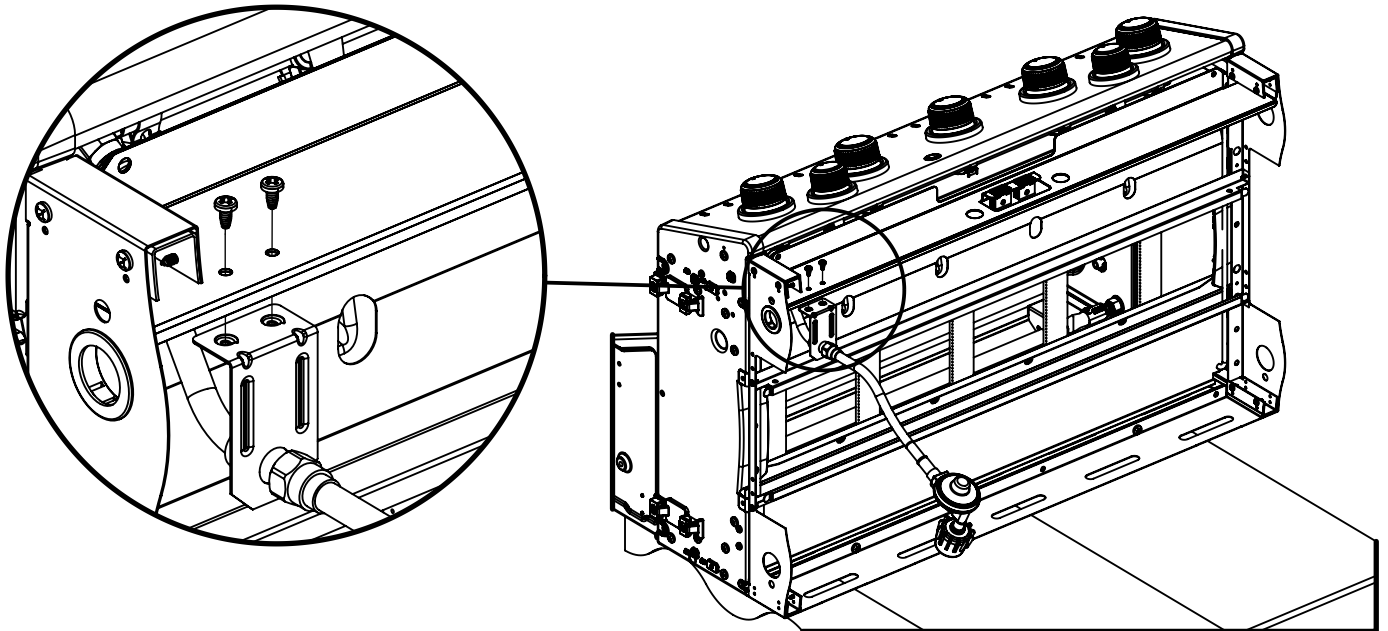
7

(4)



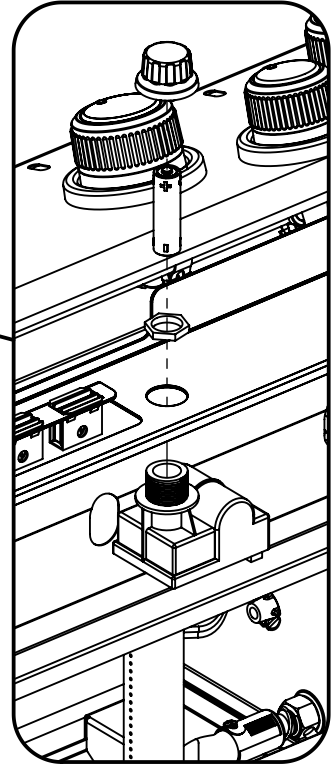
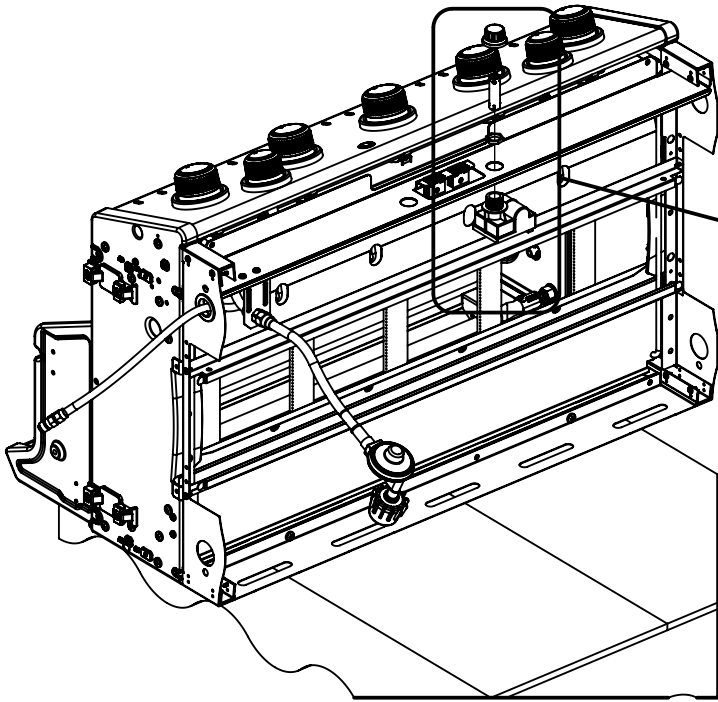
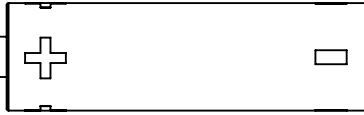
8

(2)



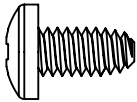
9

(1)

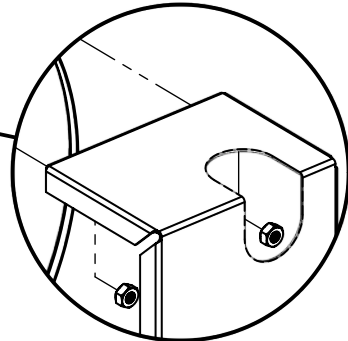
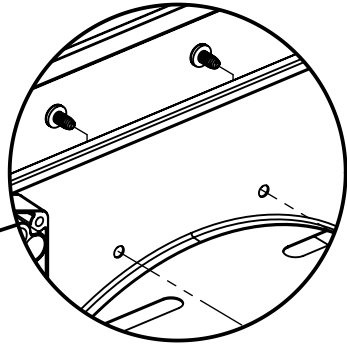
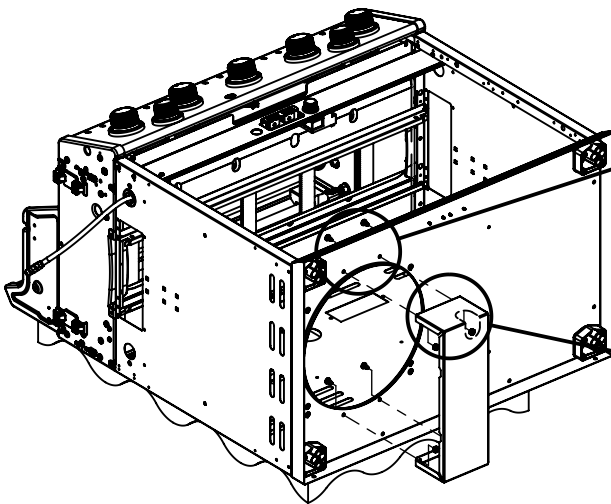
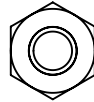


10

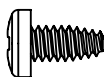
(4)

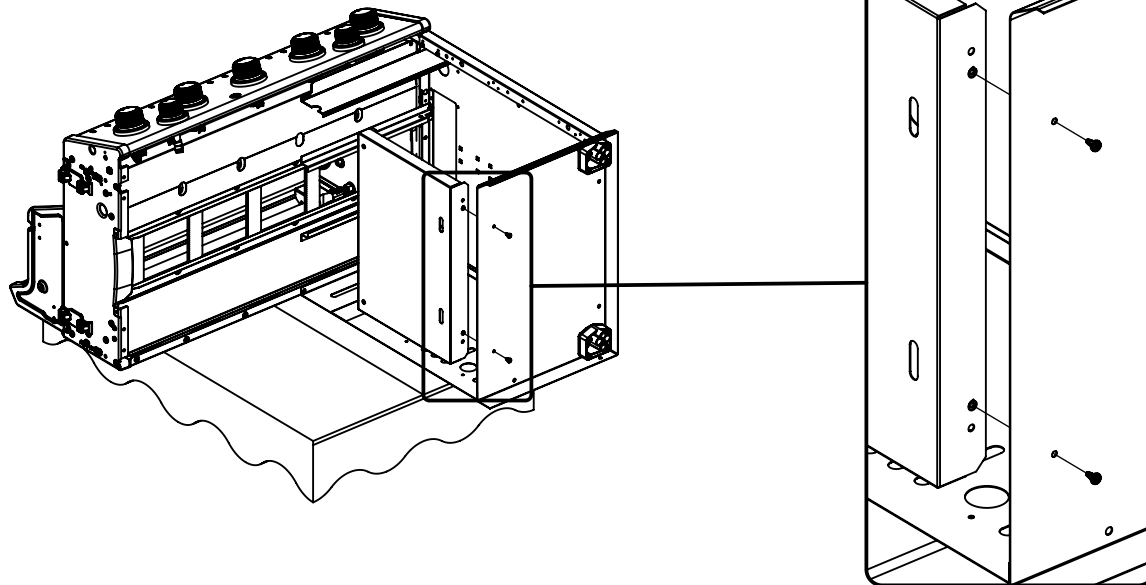


(4)

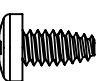


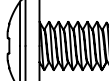
11

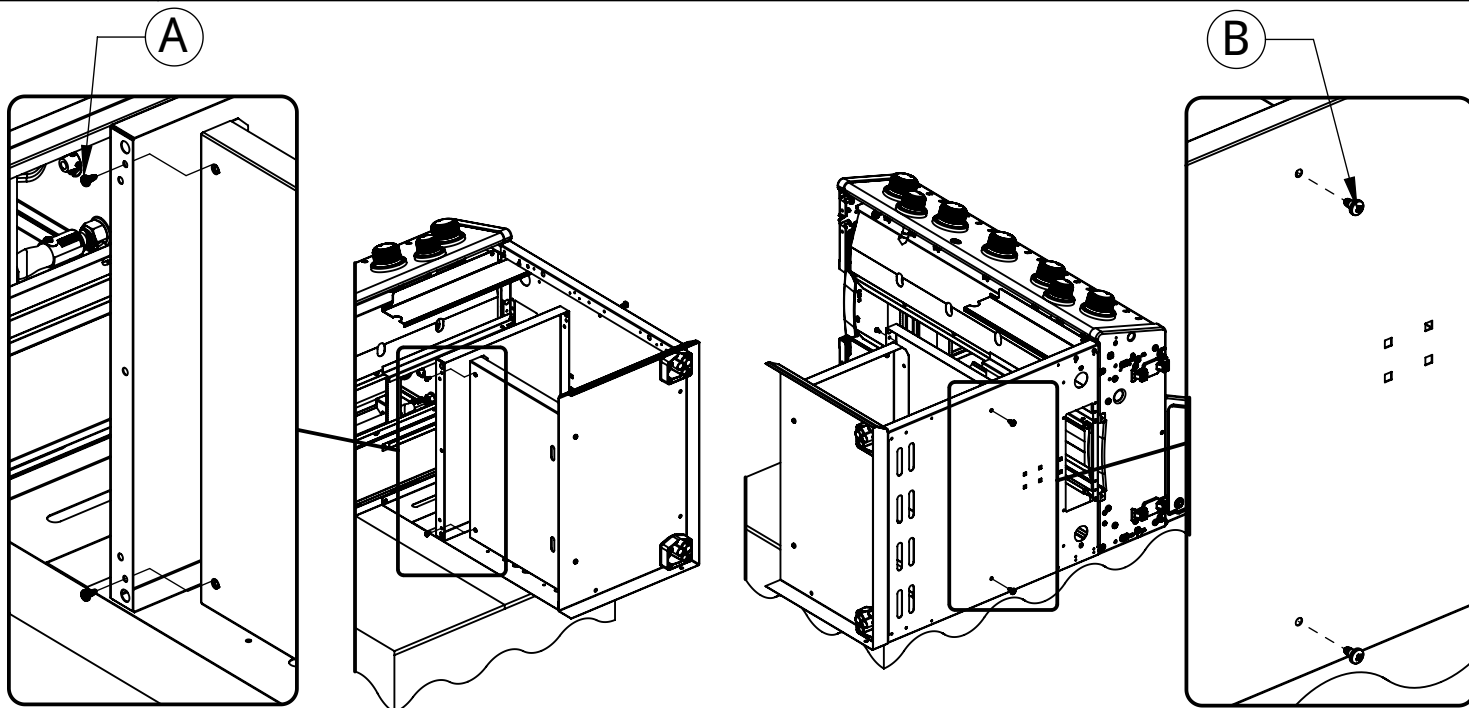
(2) 




12

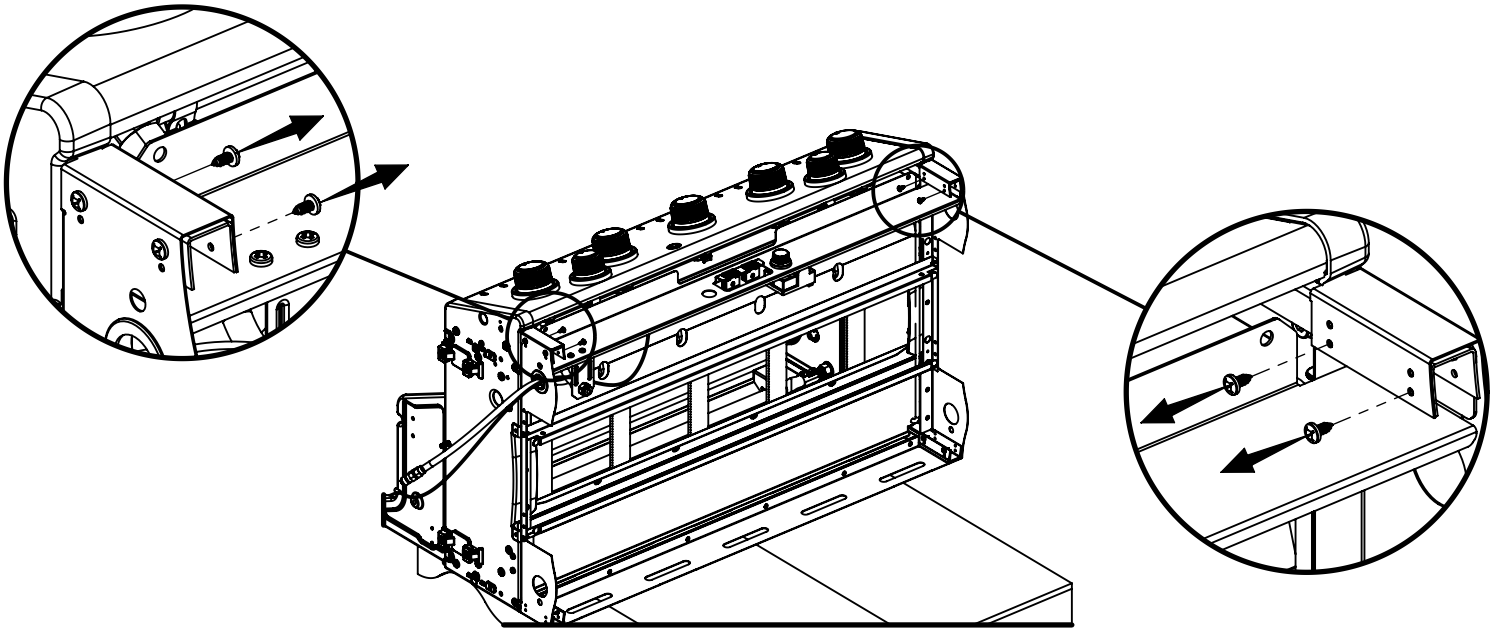
(2)  (A)

(2)  (B)

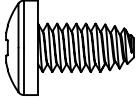


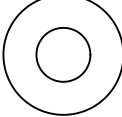
13

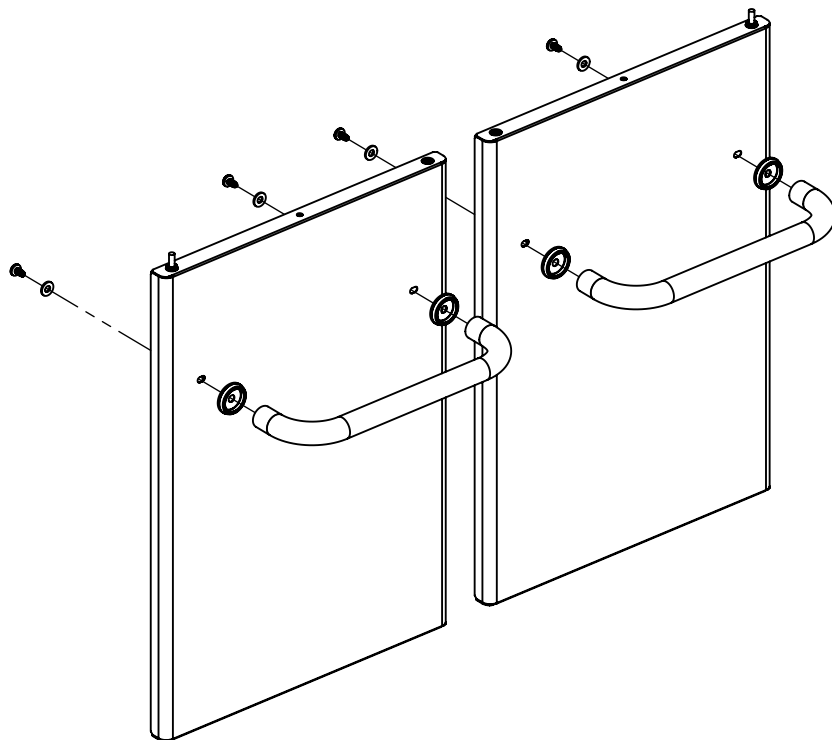
(4) 



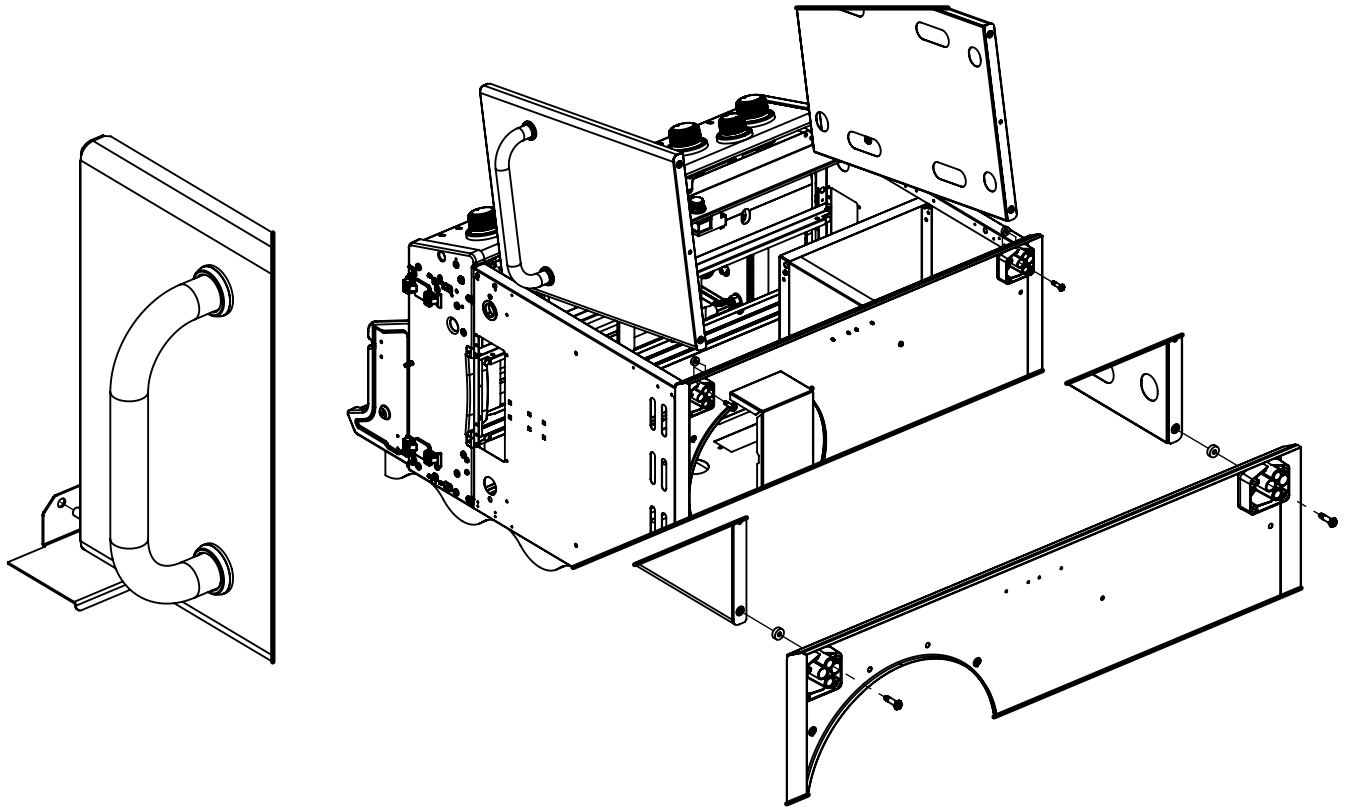
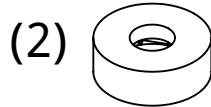
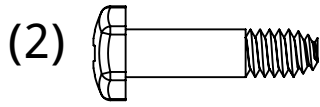
14

(4) 

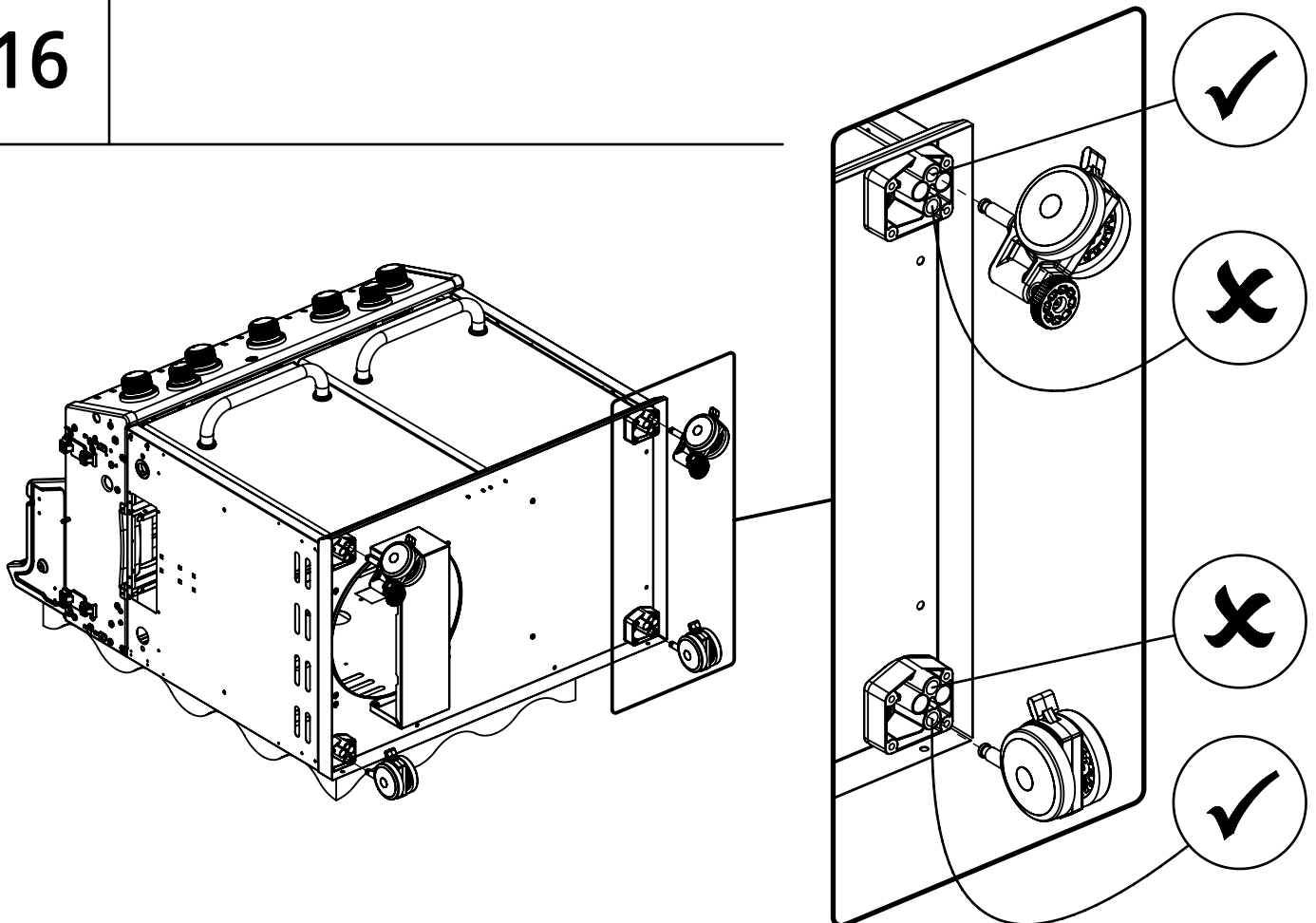
(4) 



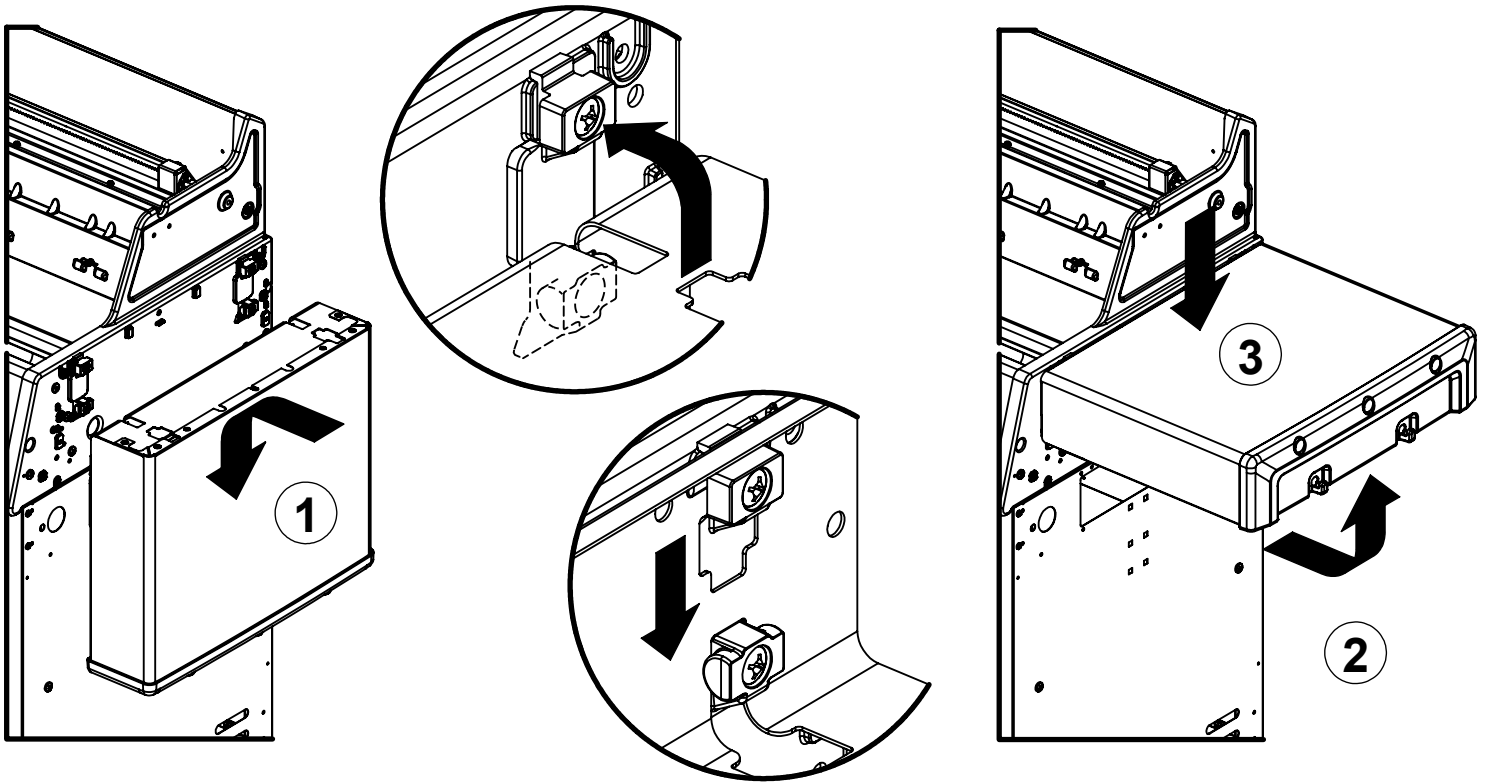
15



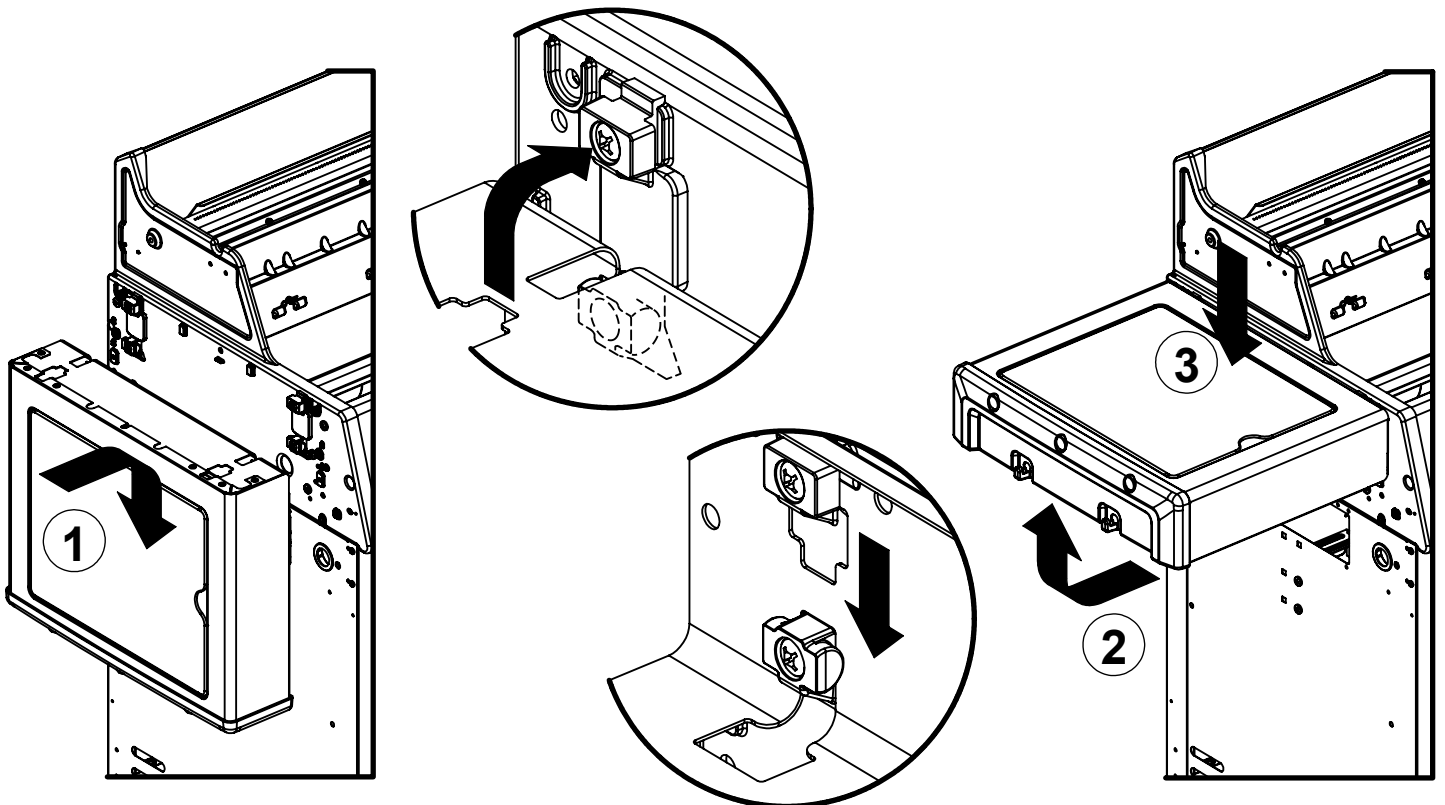
16



17

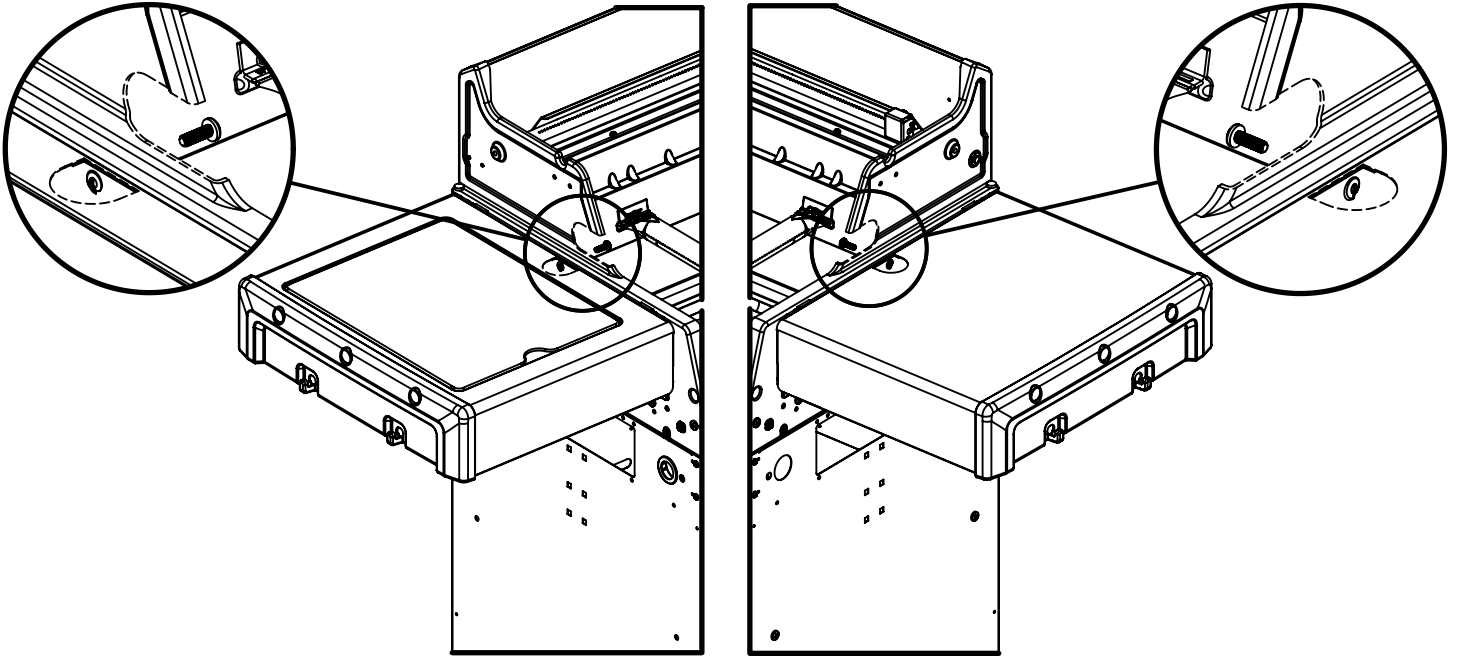
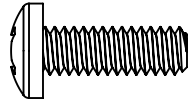


18

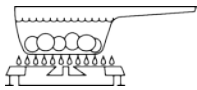


19

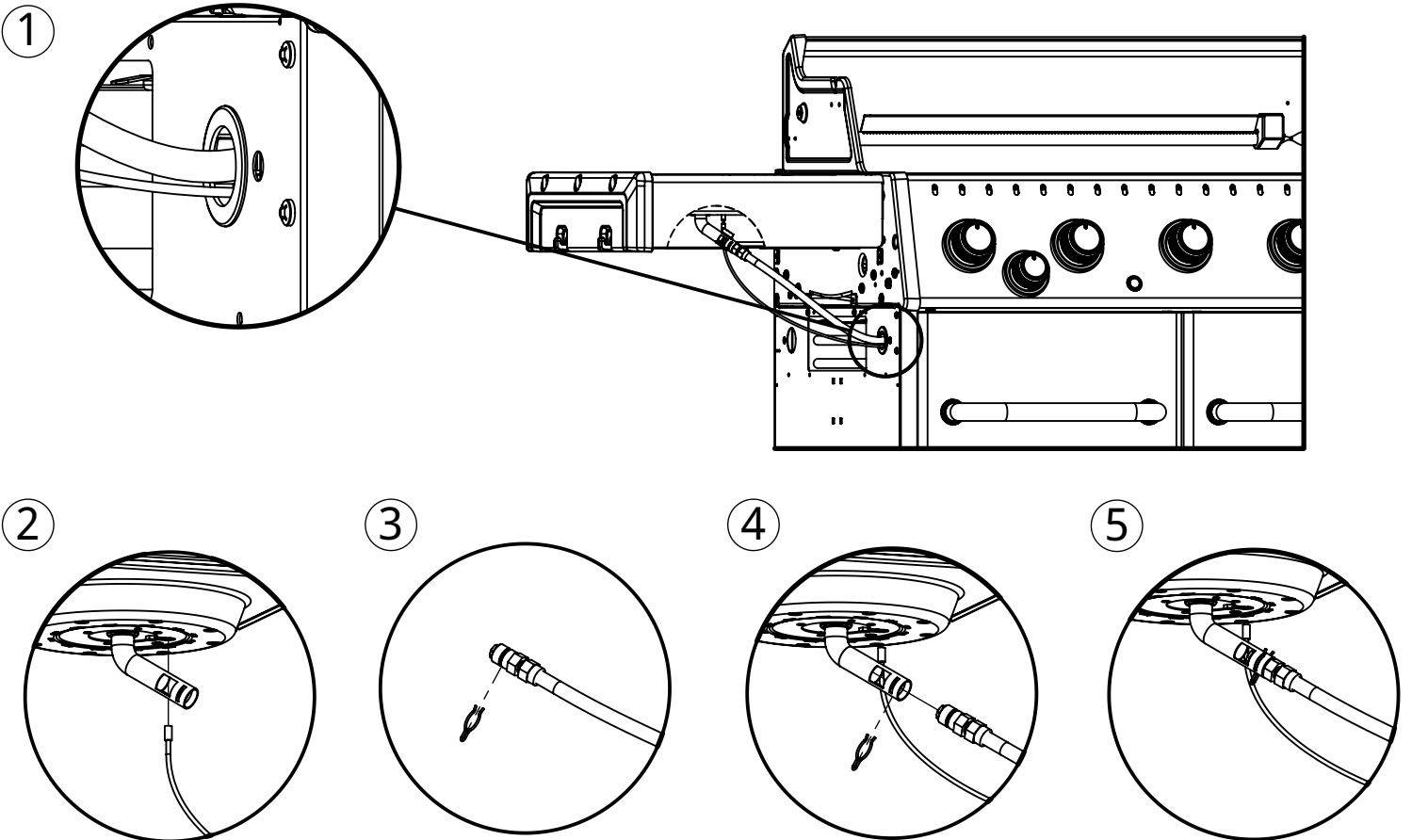
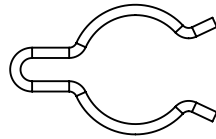
(2)



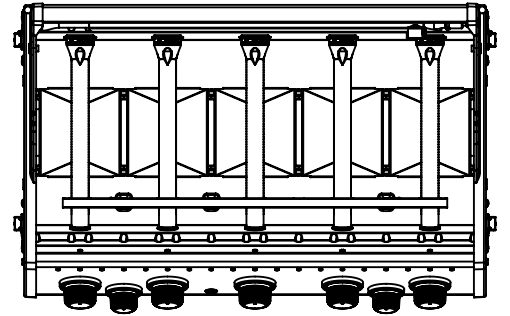
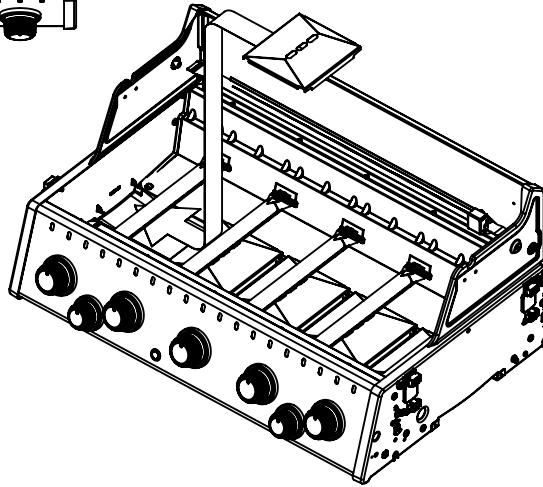
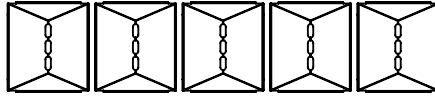
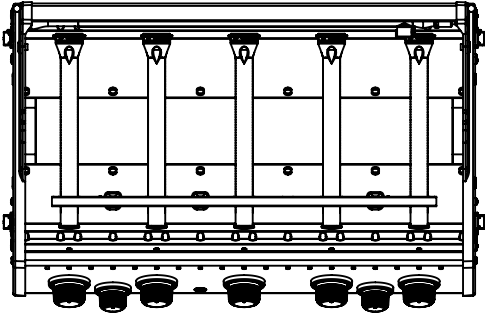
20



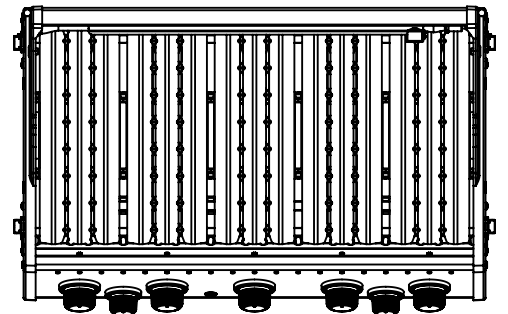
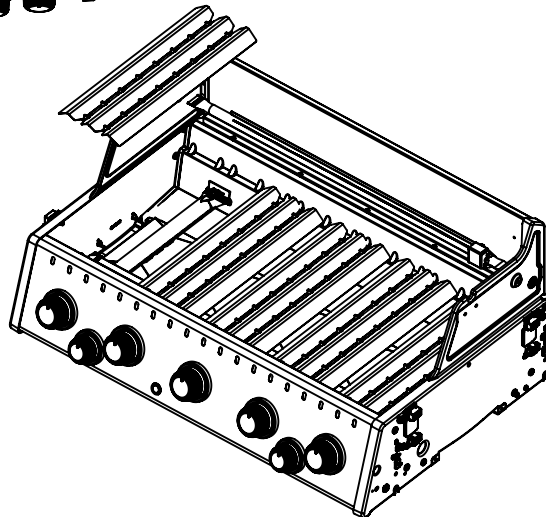
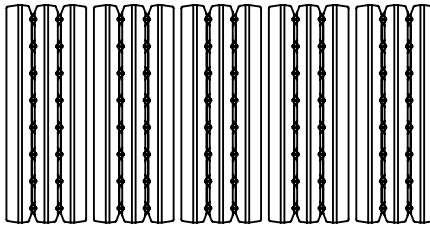
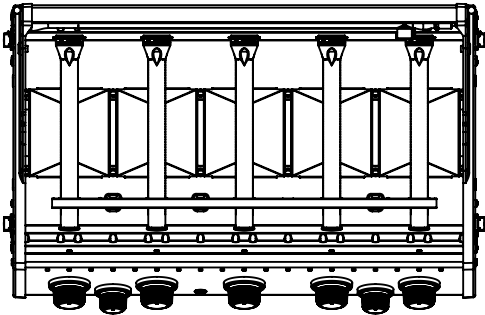
(1)



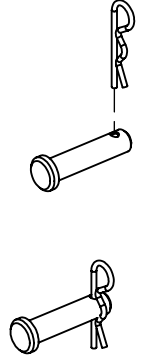
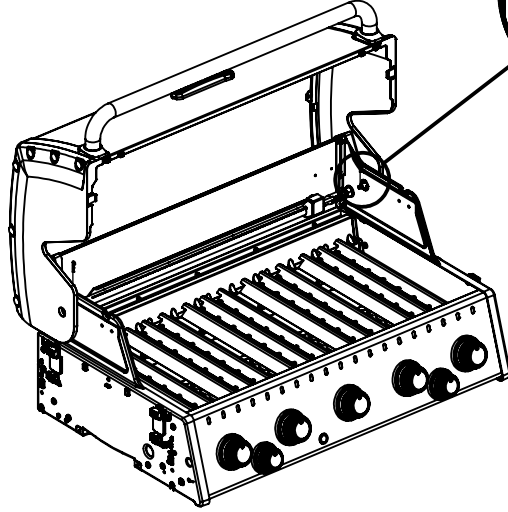
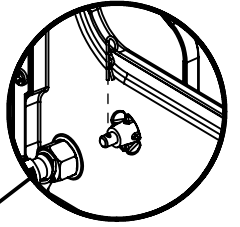
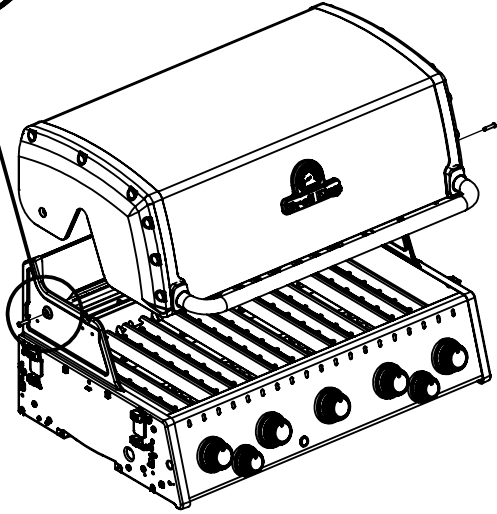
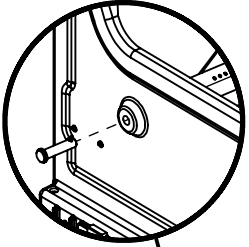
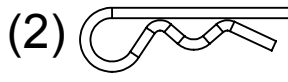
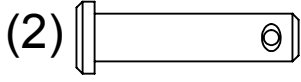
21



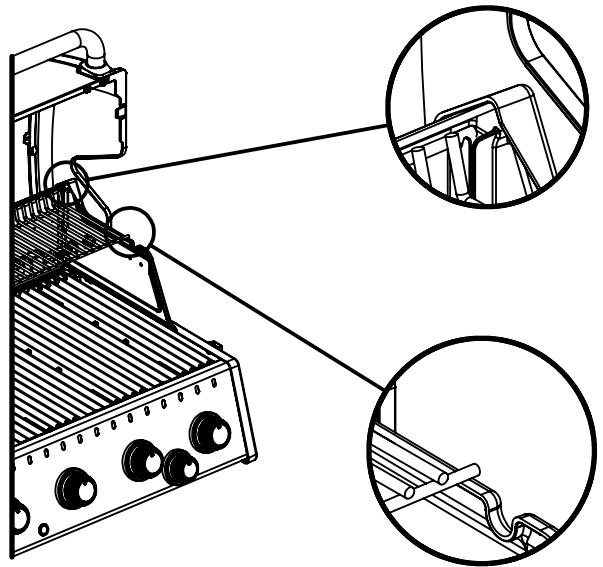
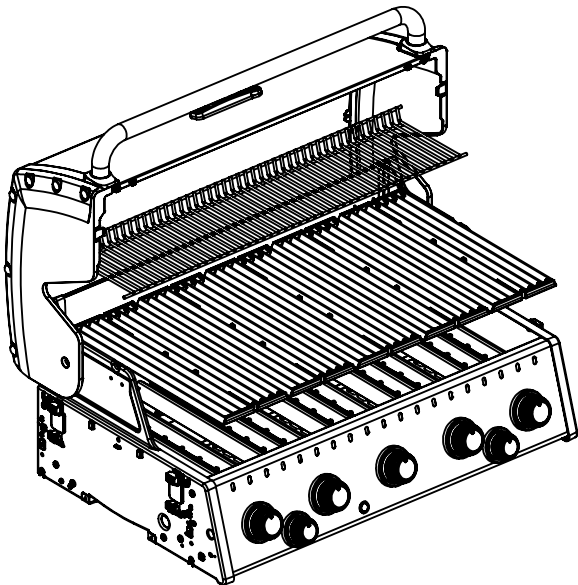
22



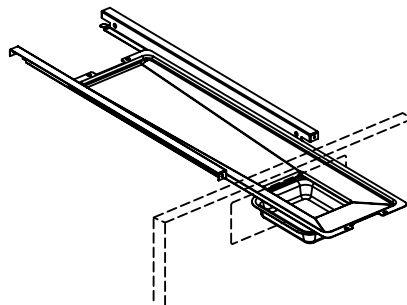
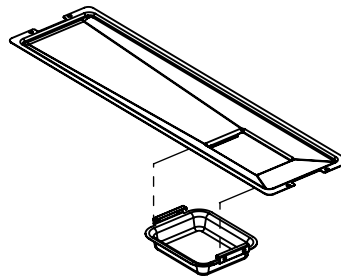
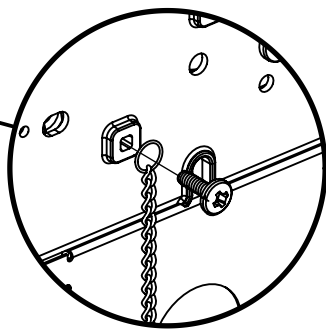
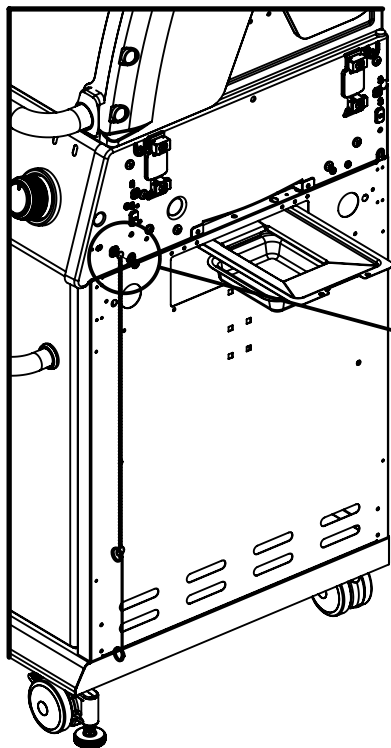
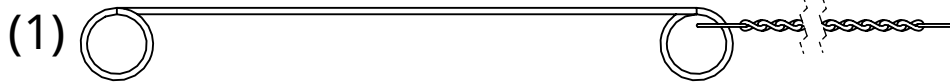
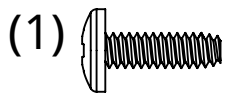
23



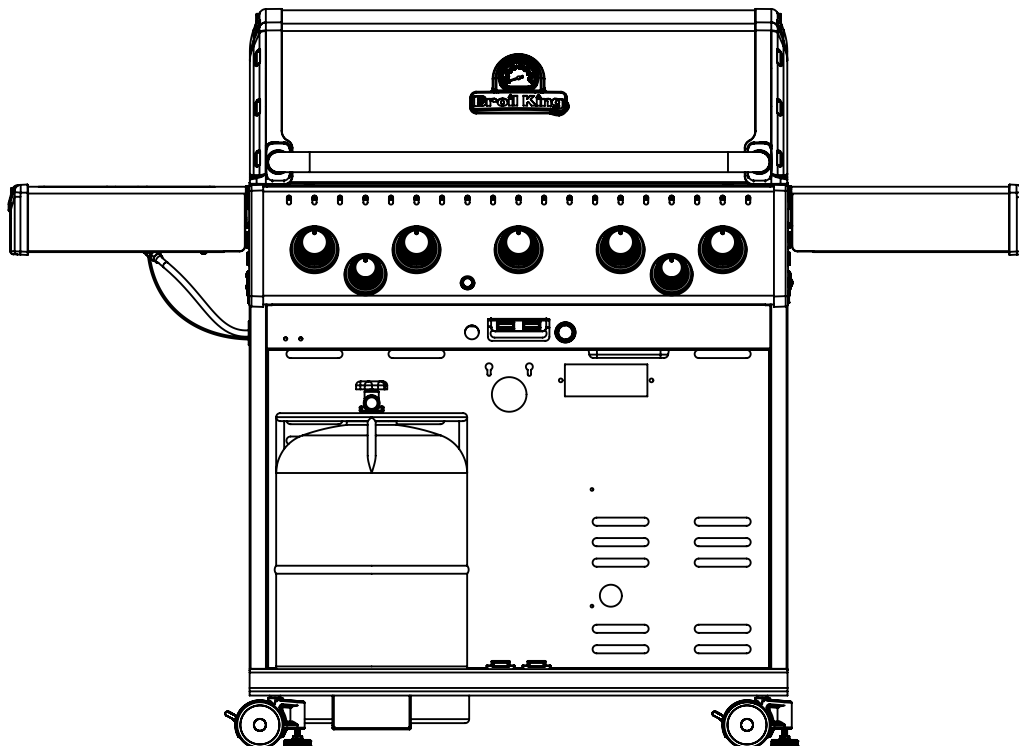
24



25



26



27



(2)



(2)

