

Broil King®

ASSEMBLY MANUAL & PARTS LIST • MANUEL DE MONTAGE & LISTE DE PIÈCES • MANUAL DE ARMADO Y LISTA DE PARTES



Broil King®
9239-82
9239-83
9239-86

RETAIN FOR FUTURE REFERENCE • VEUILLEZ CONSERVER POUR REFERENCE ULTERIEURE • CONSERVAR PARA FUTURAS CONSULTAS

ASSEMBLY VIDEO

VIDÉO MONTRANT
L'ASSEMBLAGE

VIDEO DE
ENSAMBLAJE



BROILKINGBBQ.COM

Onward
MANUFACTURING COMPANY
SINCE 1906
1000 EAST MARKET STREET
HUNTINGTON, INDIANA, 46750, USA

1-800-265-2150
info@omcbbq.com

50084-S57EU Rev F 08/15



HARDWARE INCLUDED / MATERIAL INCLUS / EQUIPOS INCLUIDO



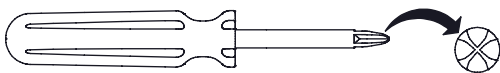
Y-12865		X28	S21125		X8
Y-11562		X4	Y-29304		X6
Y-29310		X4	Y-12310		X4
S35094		X1	Y-12857		X4
S35095		X2			
S21235		X2	Y-12127		X2
S21233		X2	S21061		X2
			Y-11793		X4



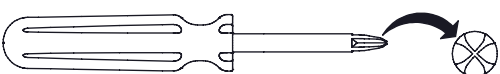
TOOLS REQUIRED / OUTILS NECESSAIRES / HERRAMIENTAS NECESARIAS



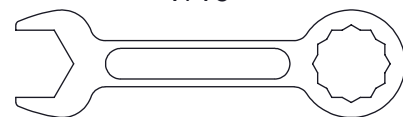
#3 PHILLIPS



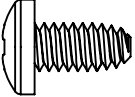
#2 PHILLIPS

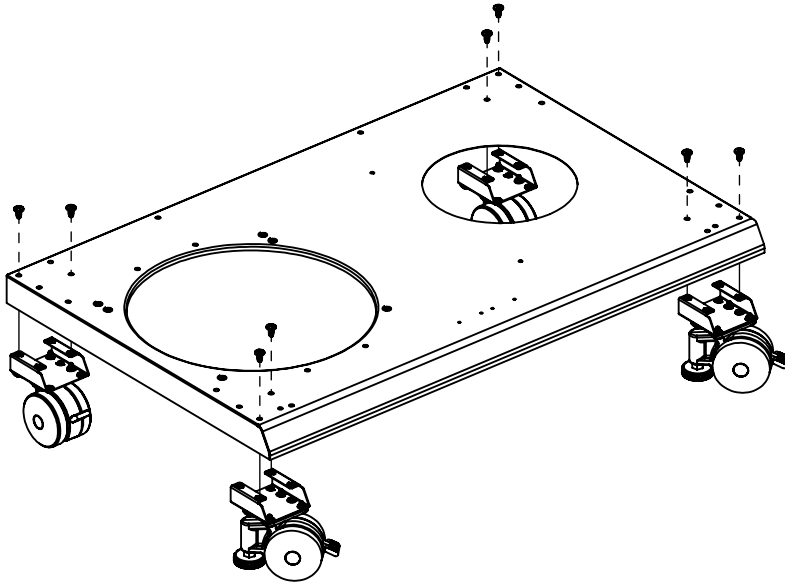


7/16"

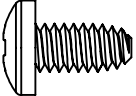
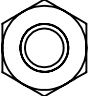


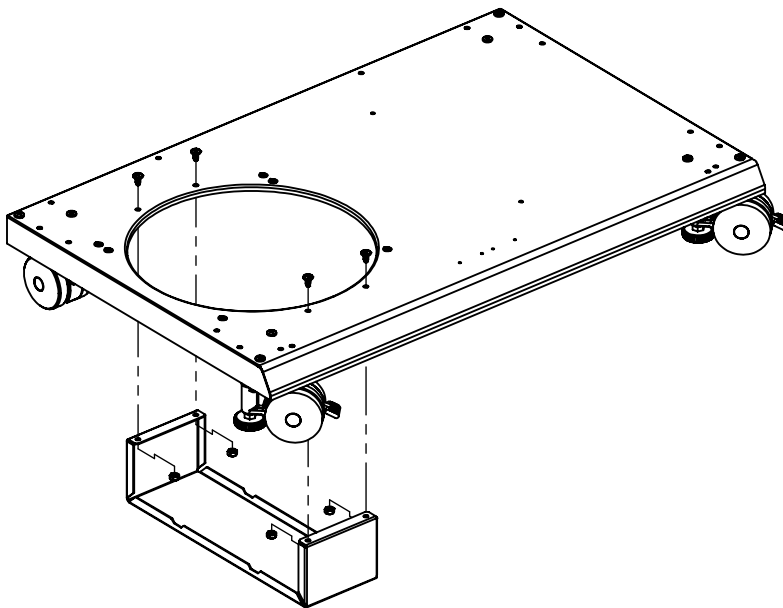
1

(8) 

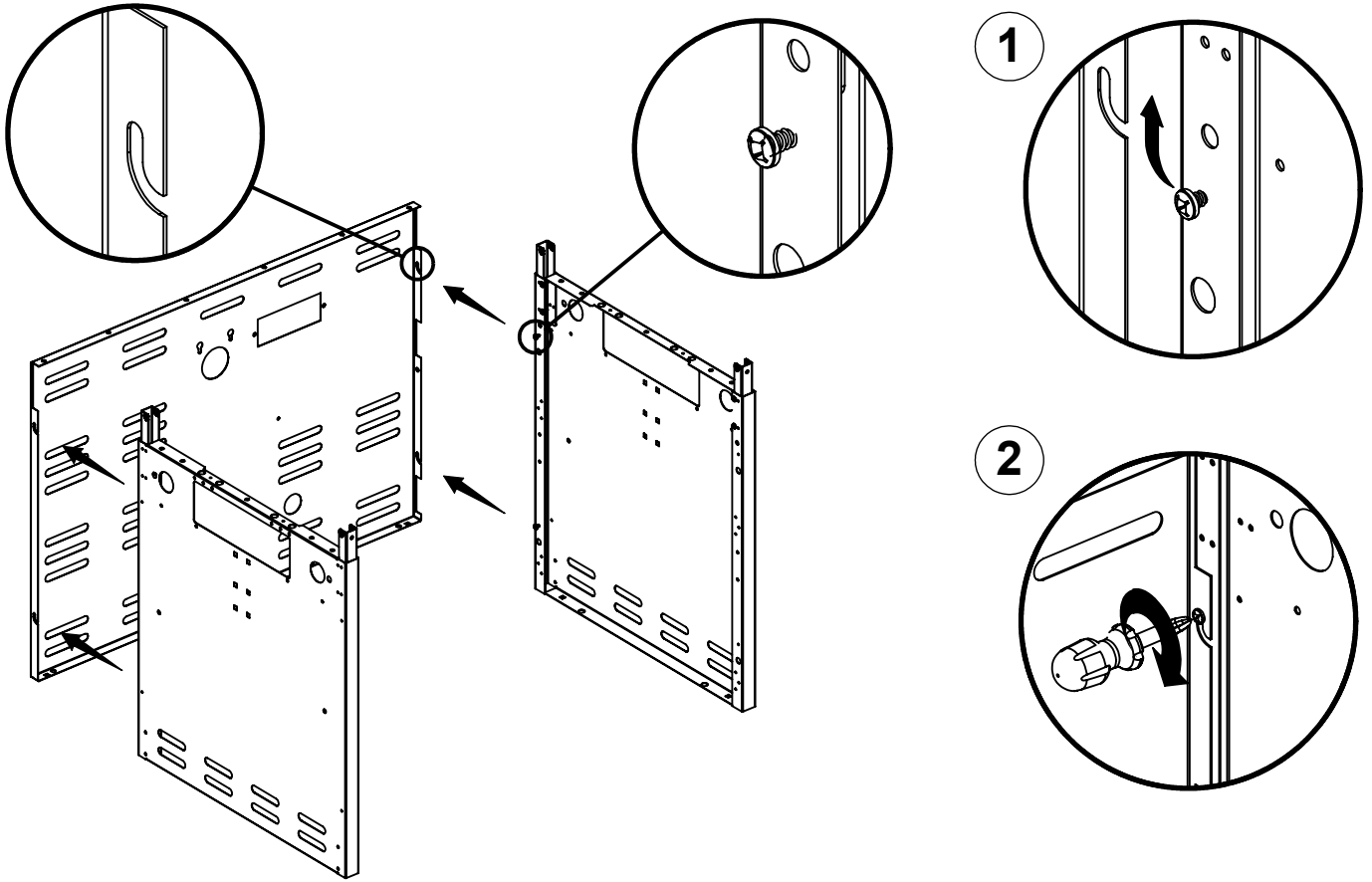


2

(4)  (4) 

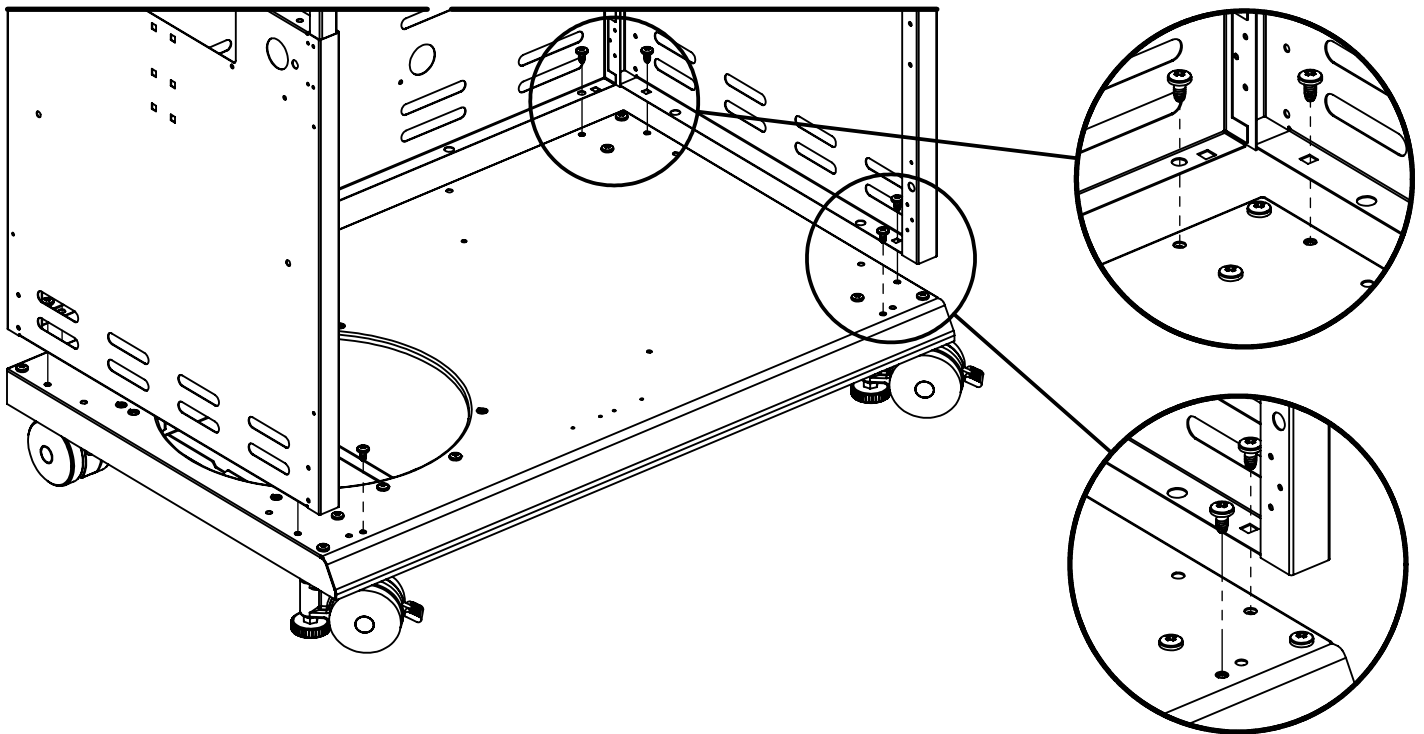
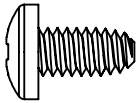


3



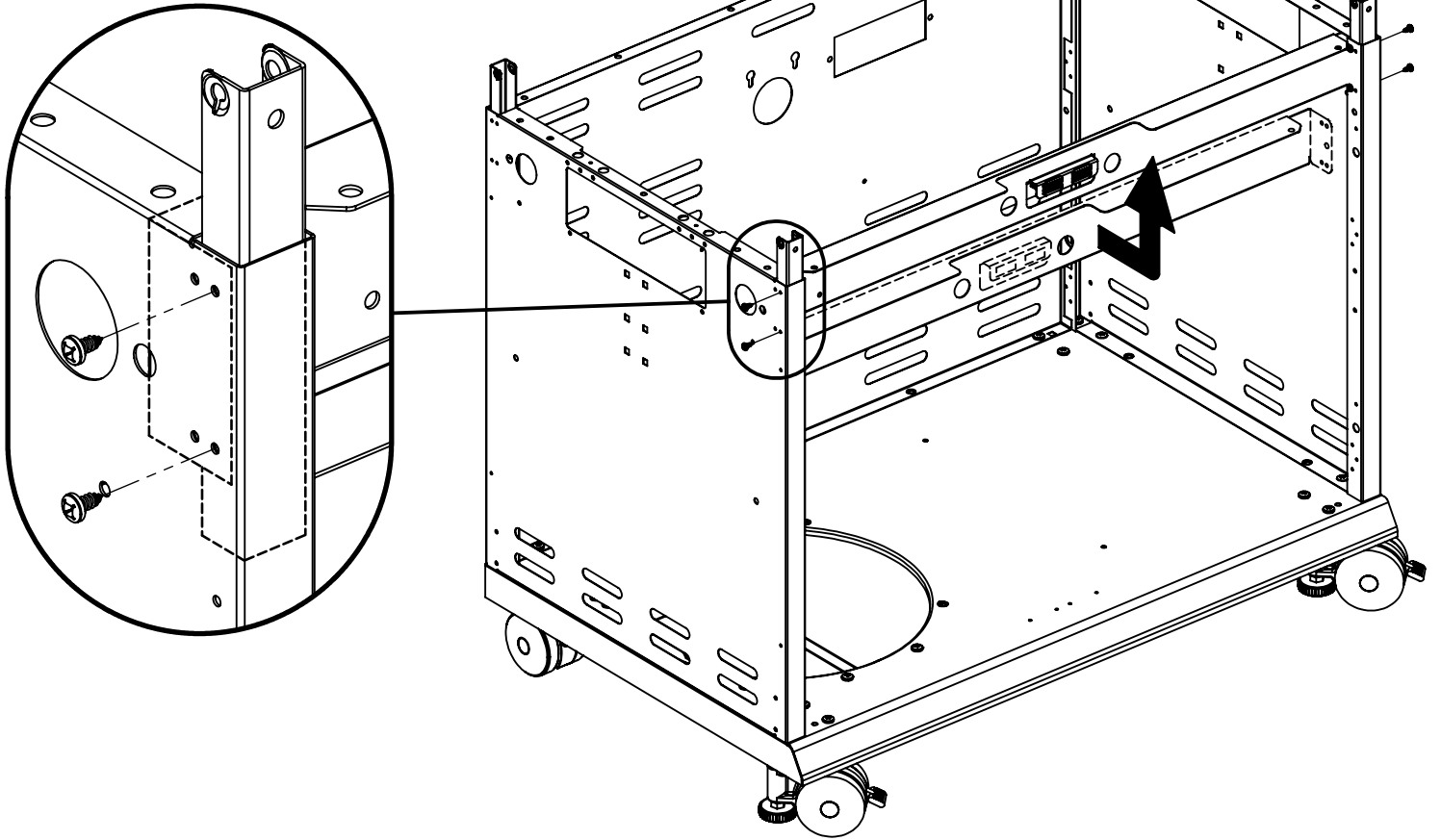
4

(8)




5

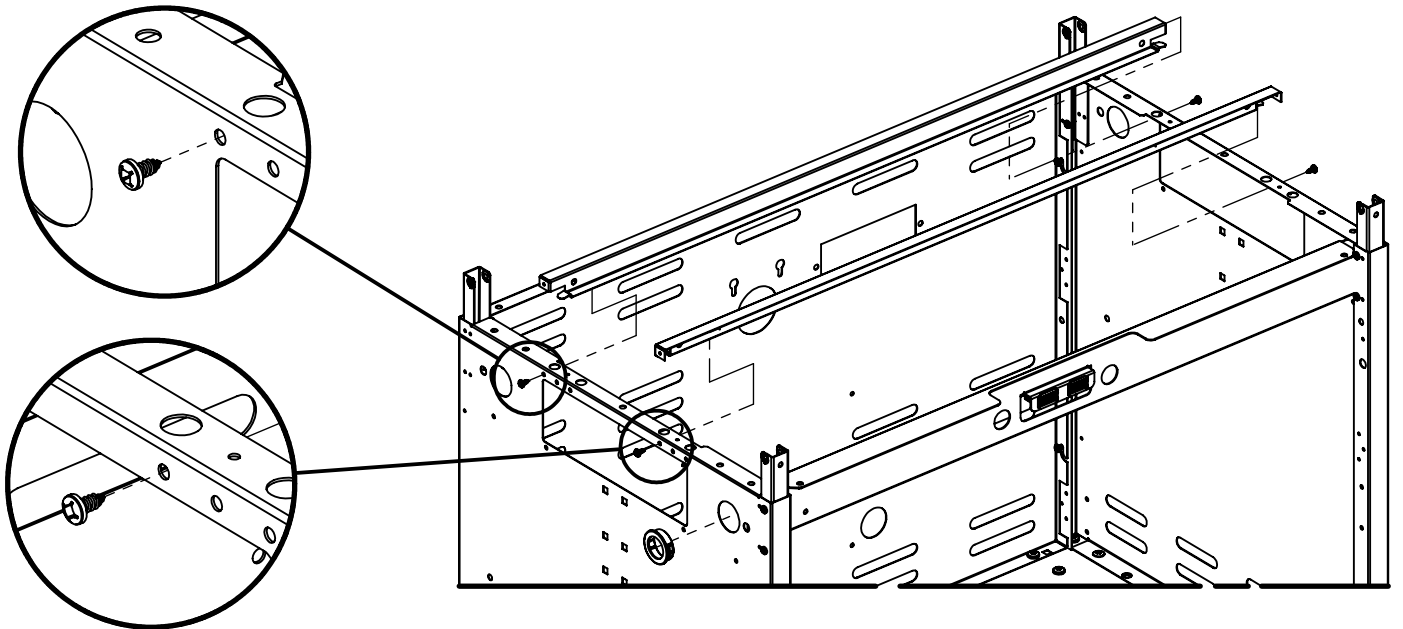
(4) 



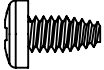
6

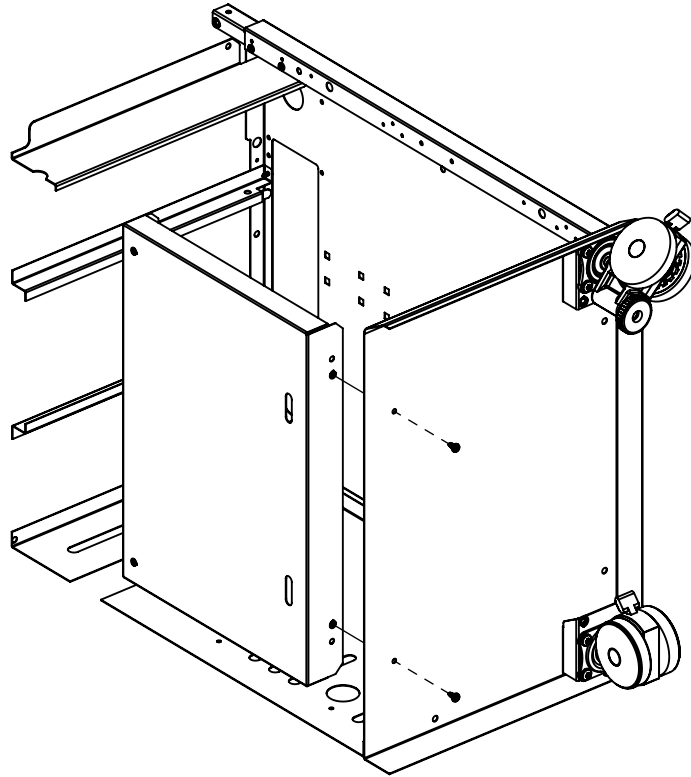
(4) 

(1) 

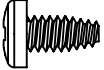


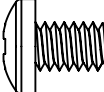
7

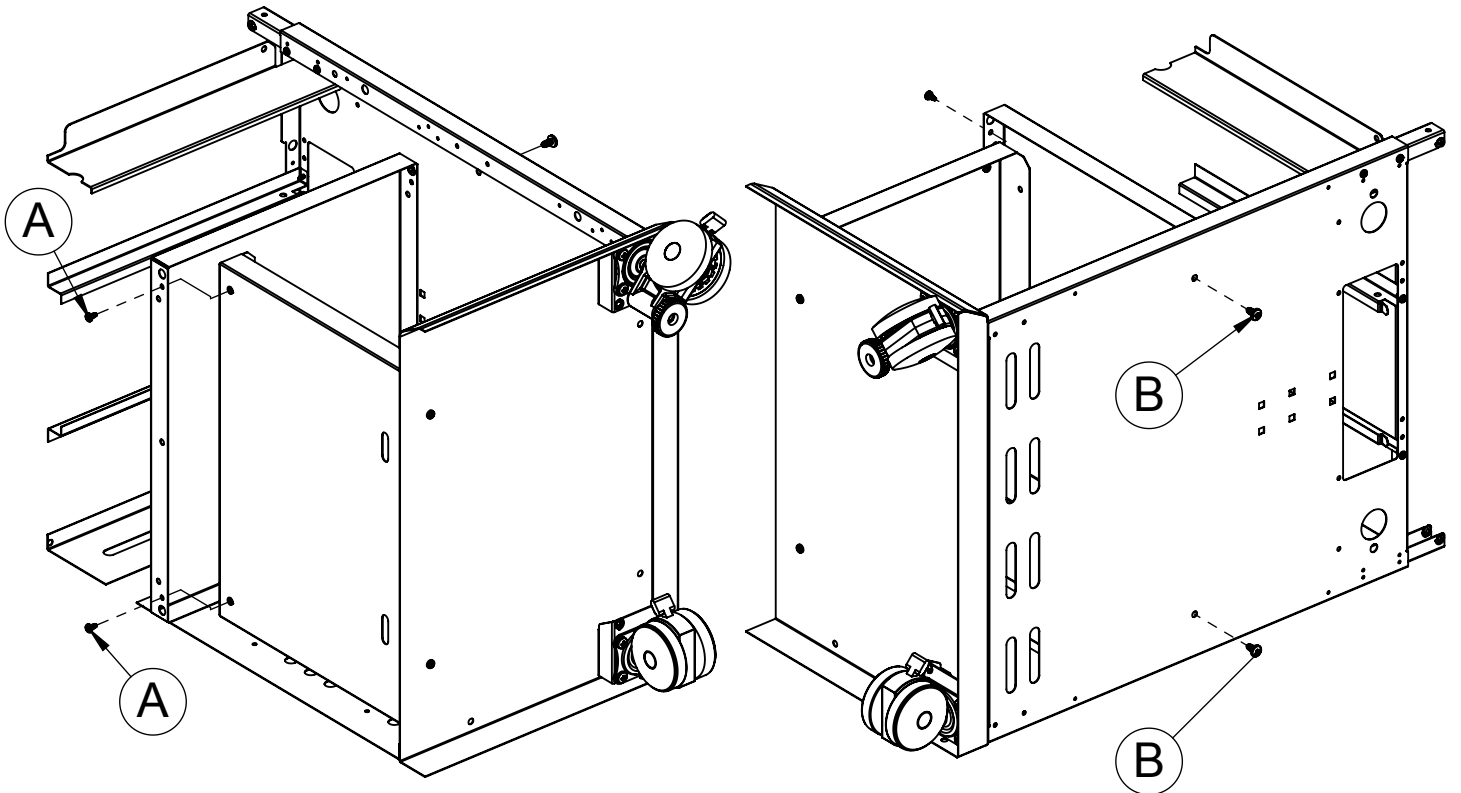
(2) 



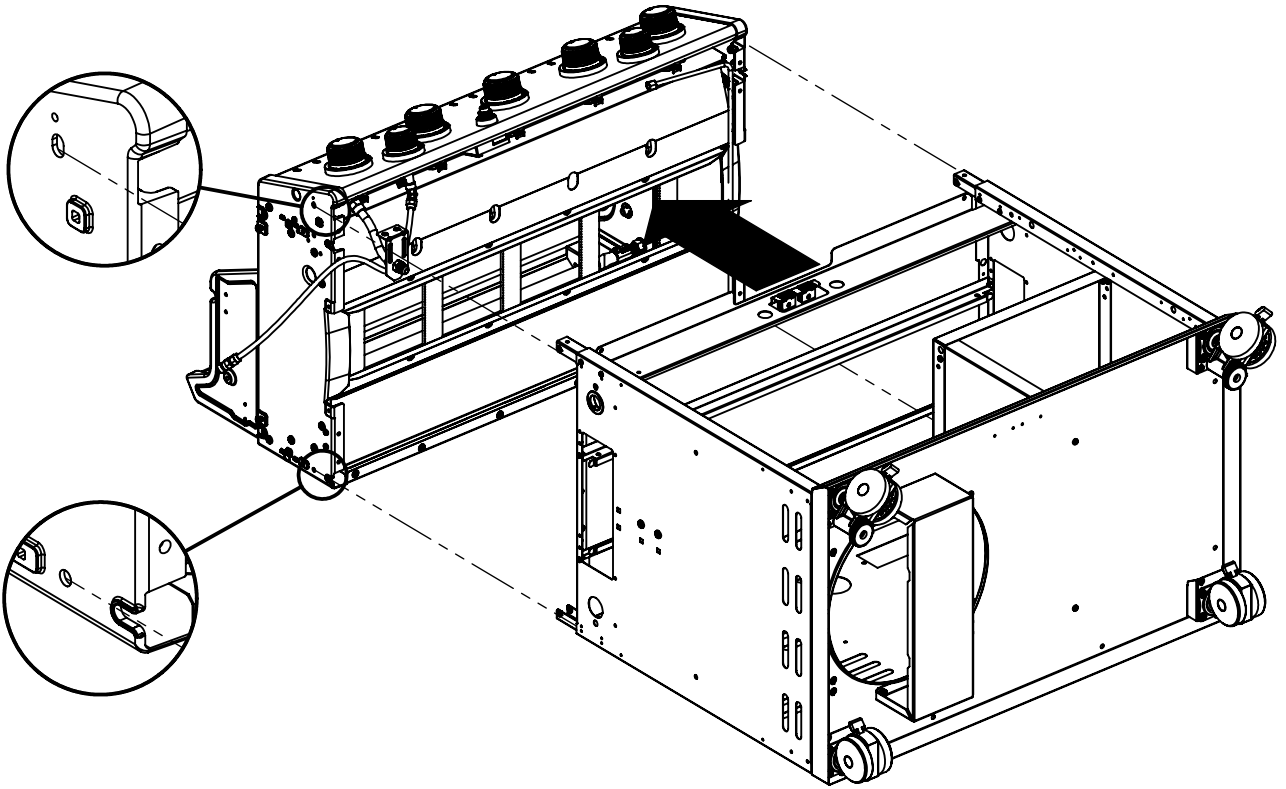
8

(2)  A

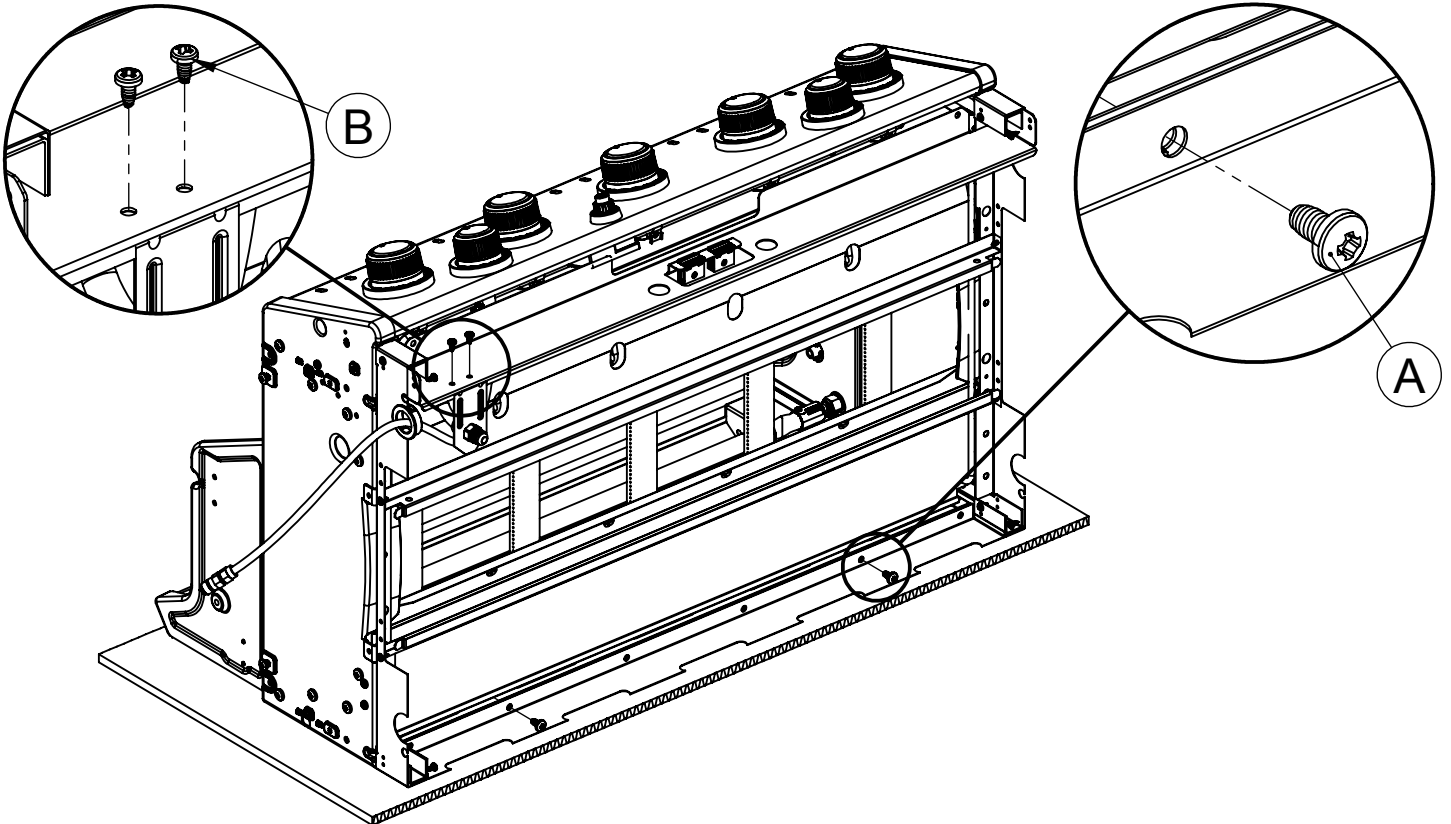
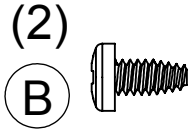
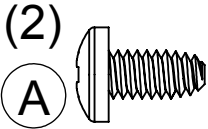
(2)  B



9

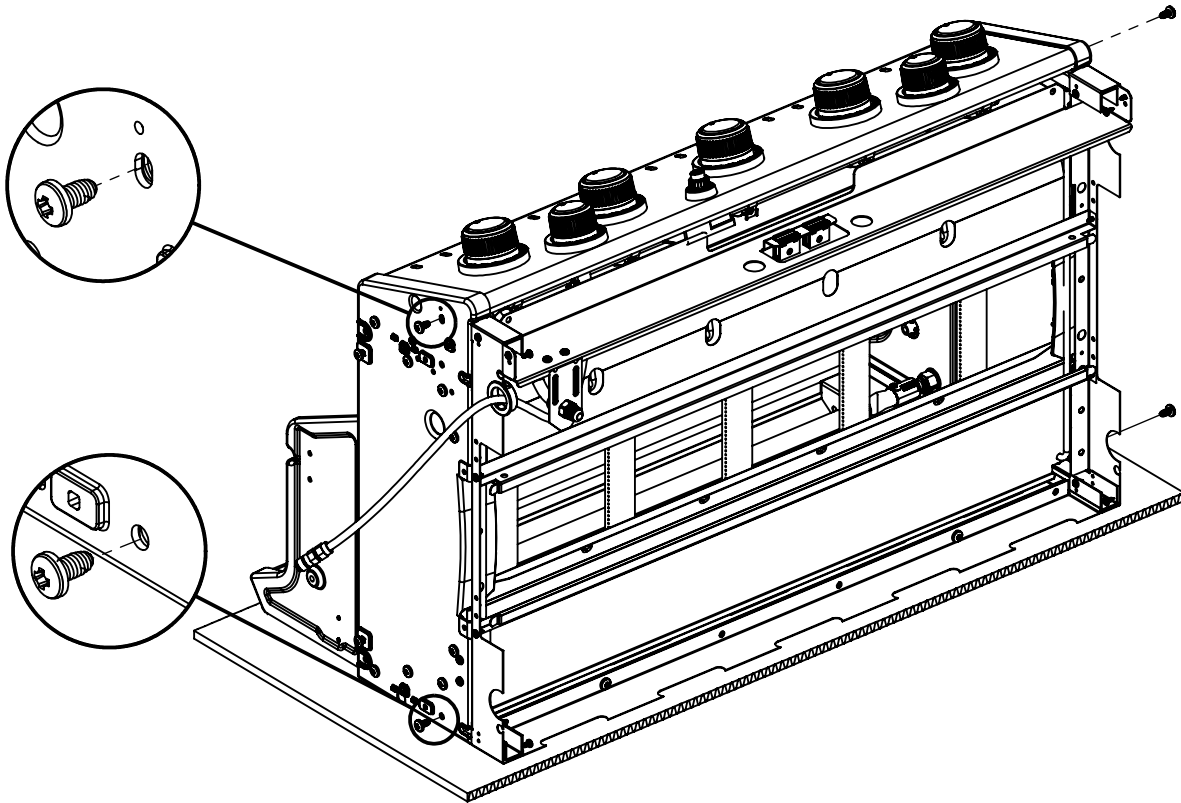
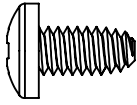


10

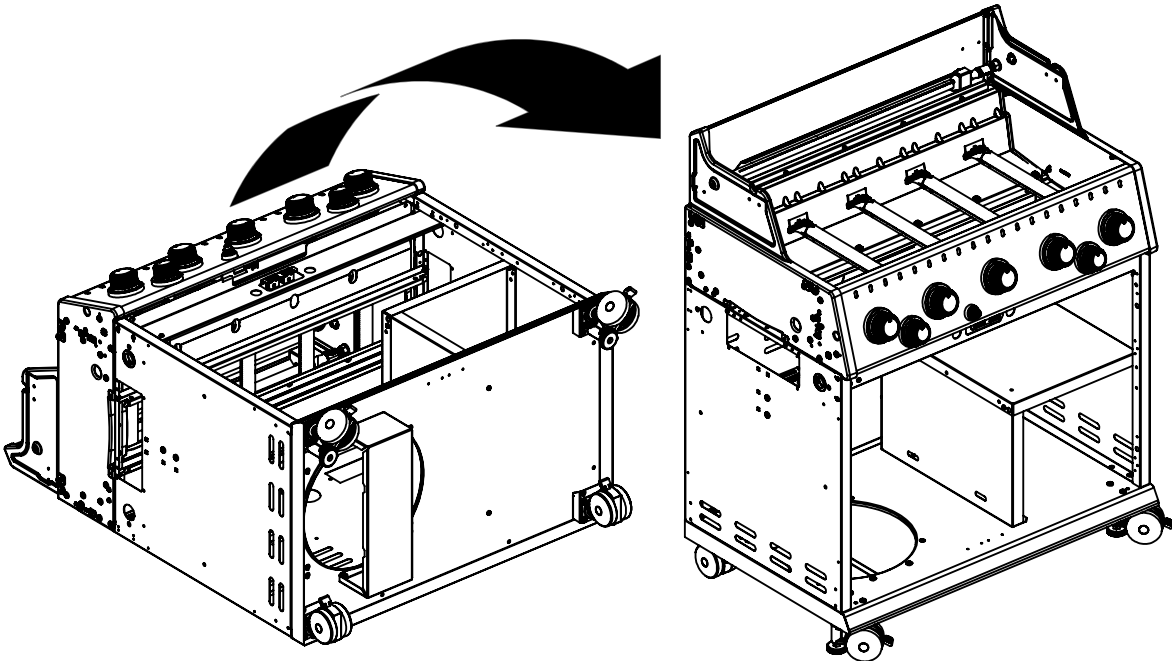


11

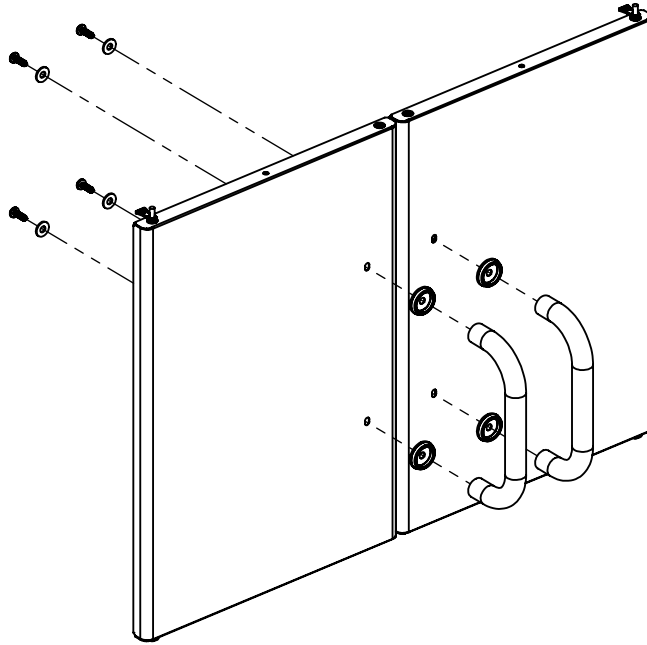
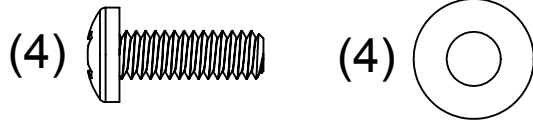
(4)



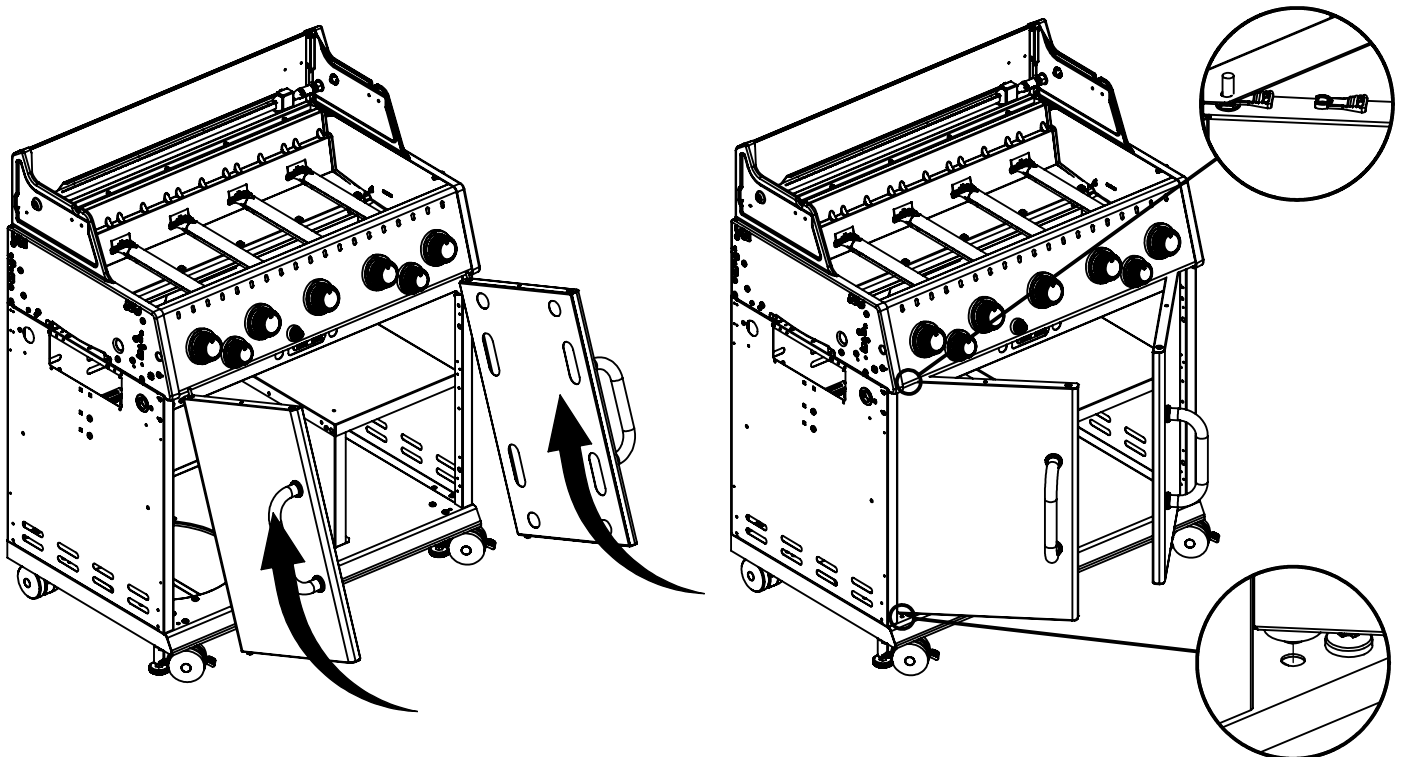
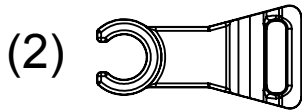
12



13

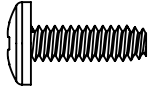


14

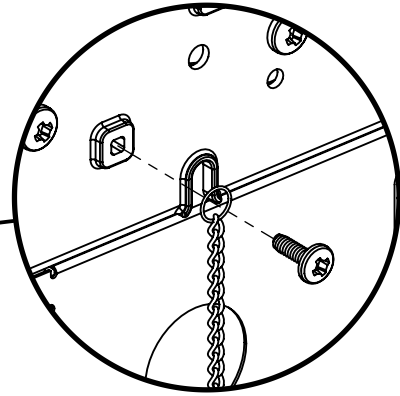
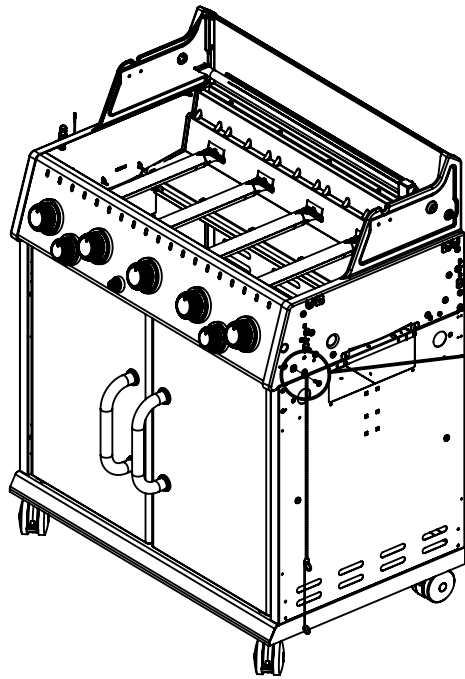
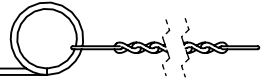


15

(1)

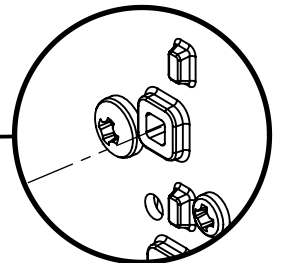
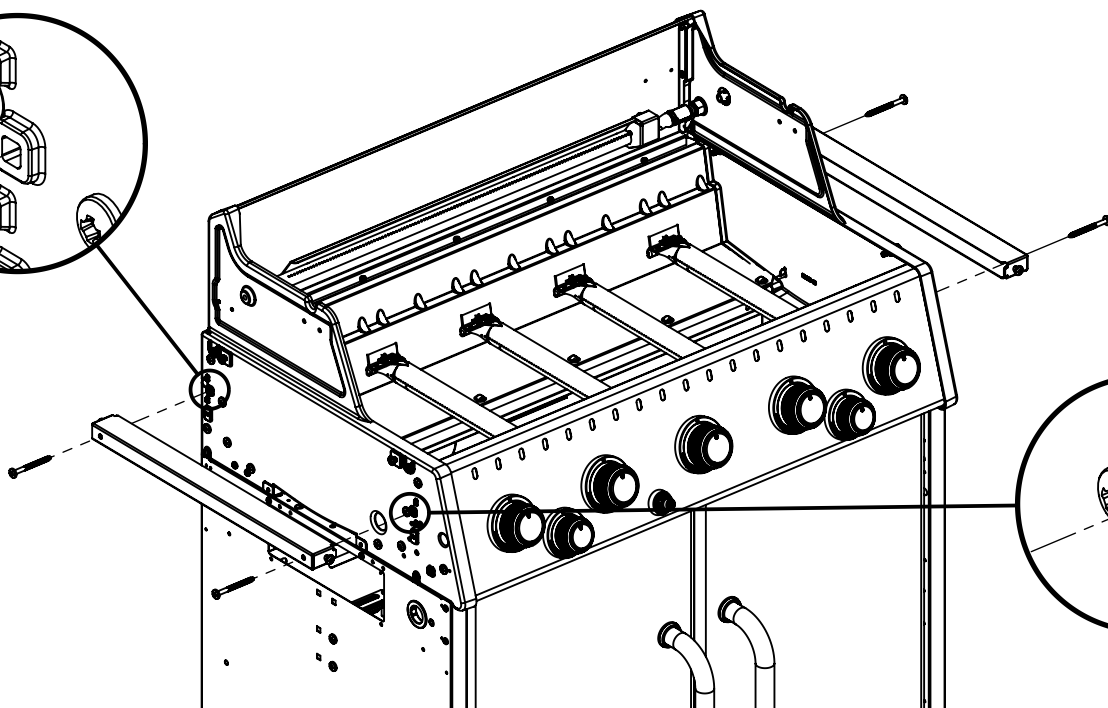
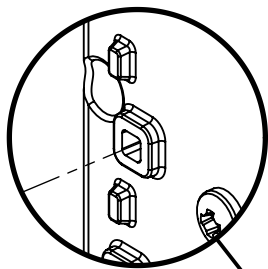
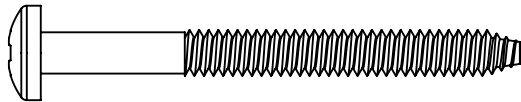


(1)

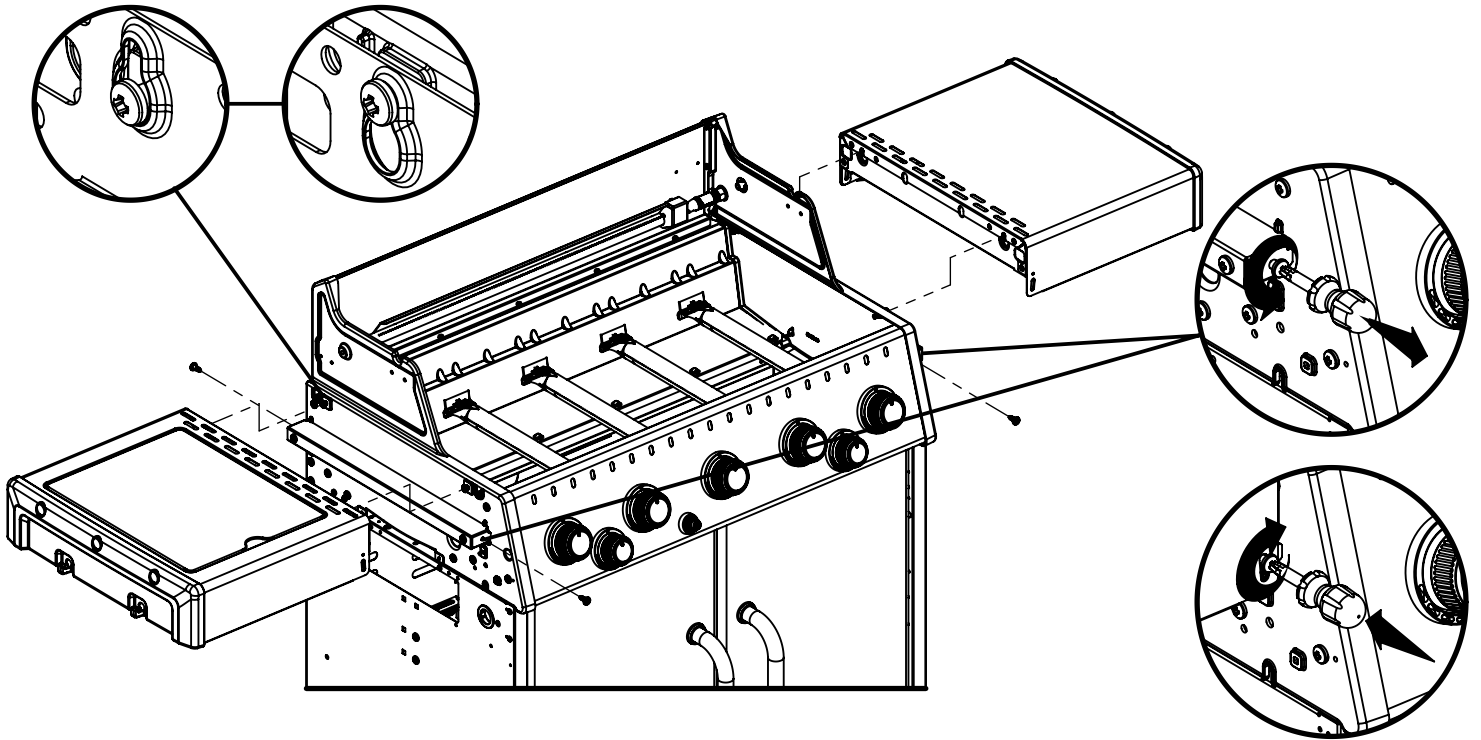


16

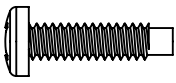
(4)

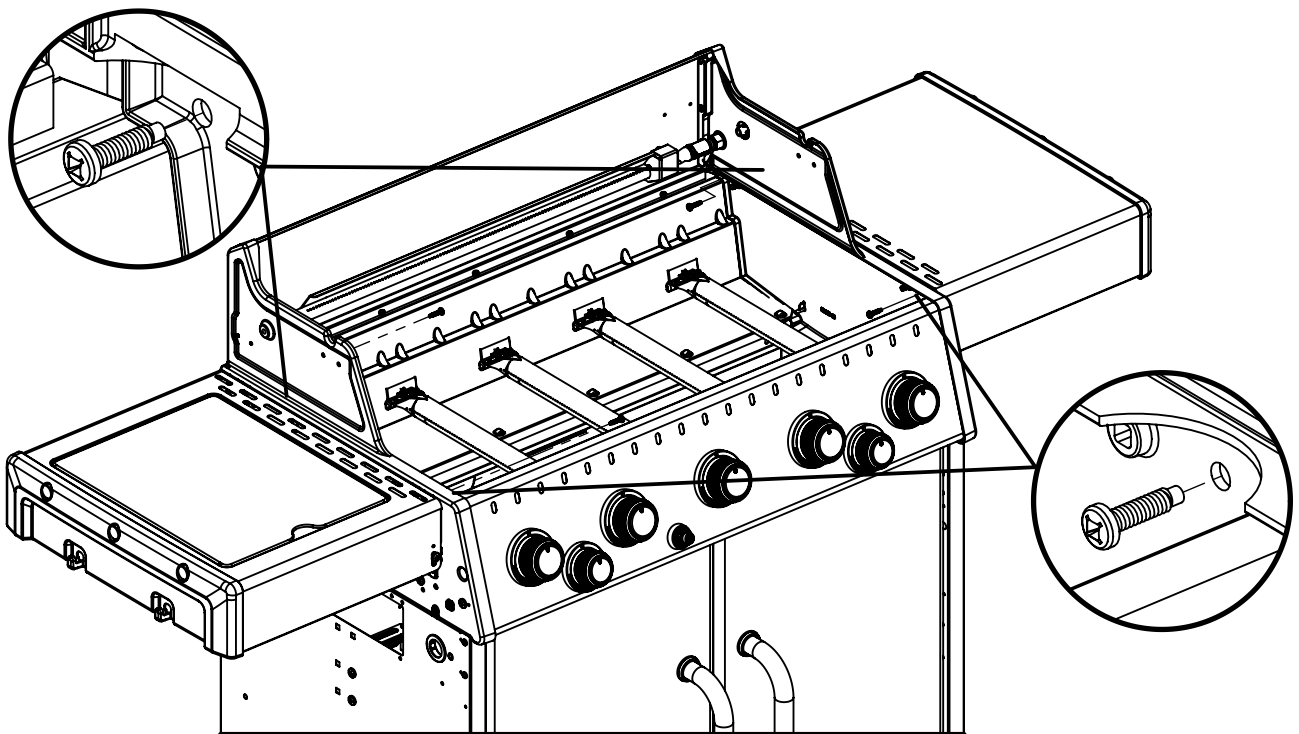


17



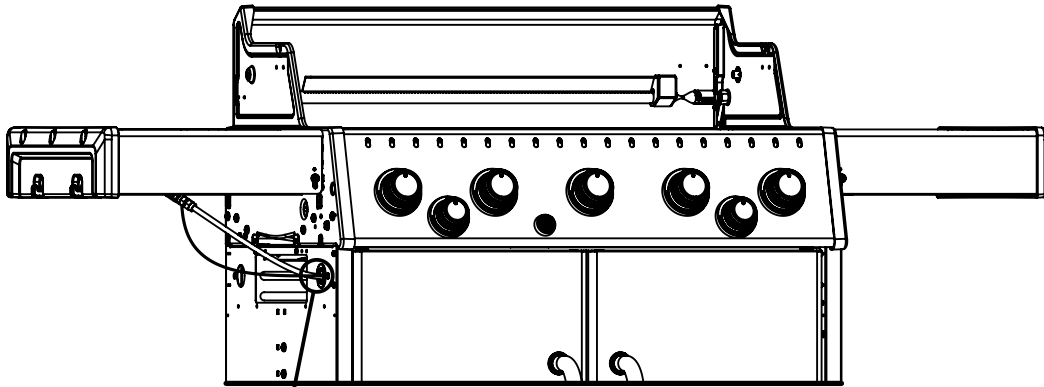
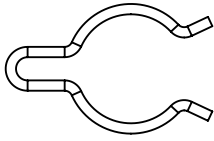
18

(4) 

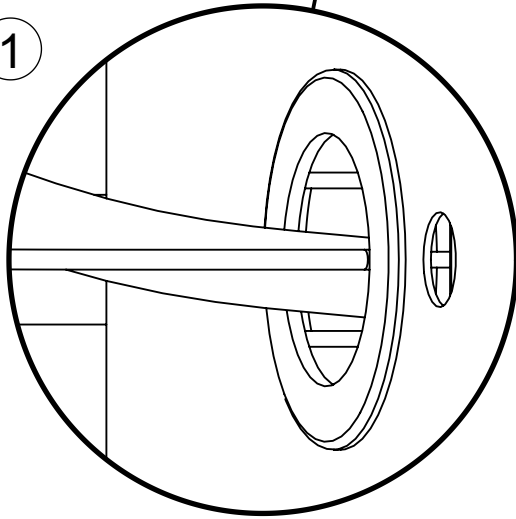


19

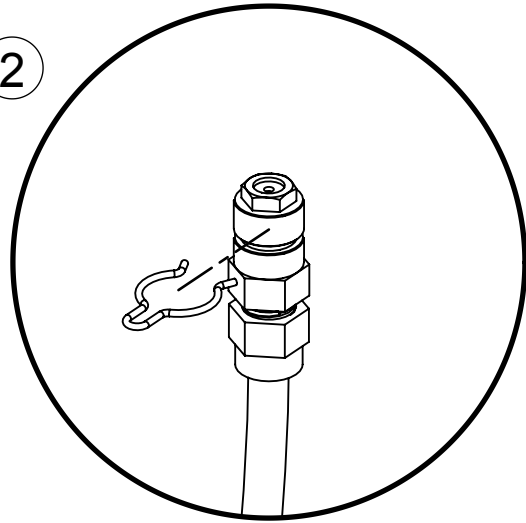
(1)



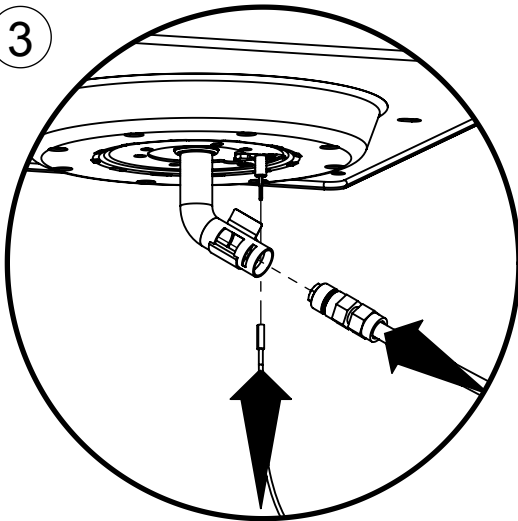
1



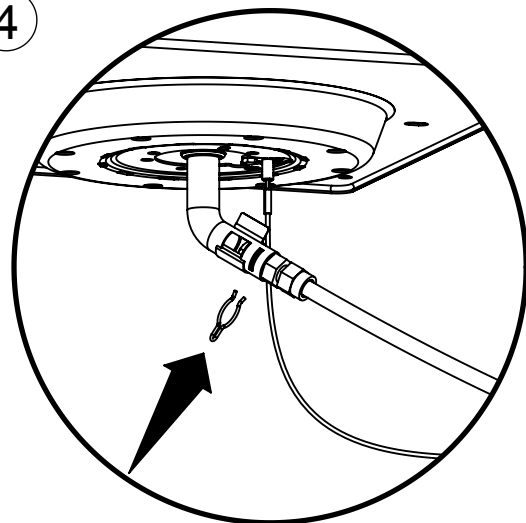
2

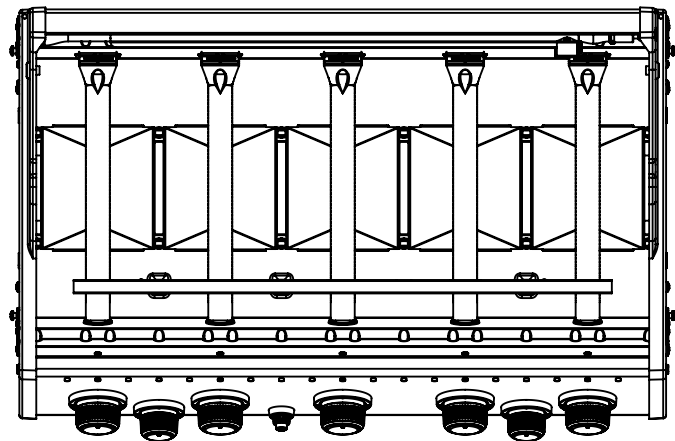
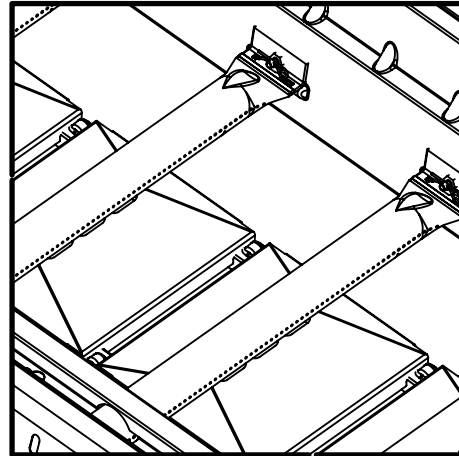
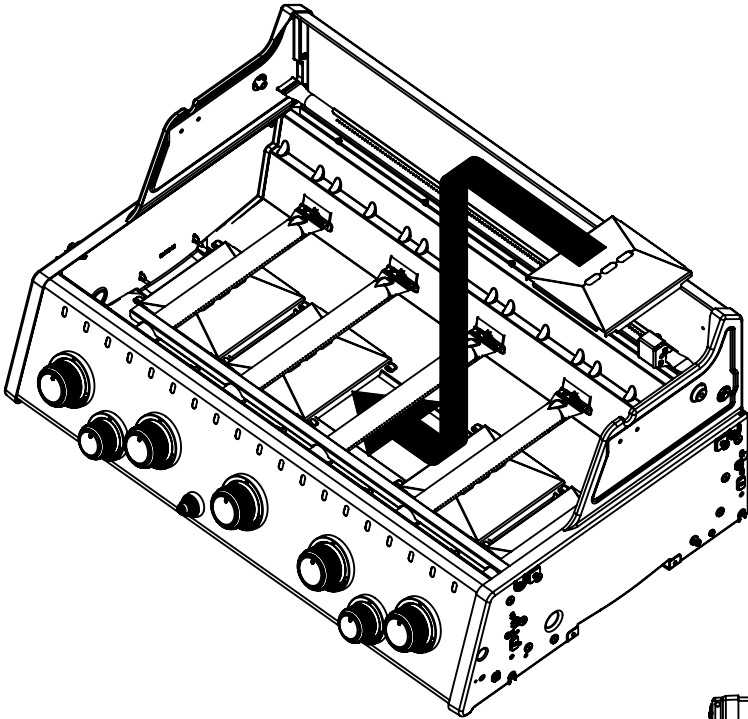
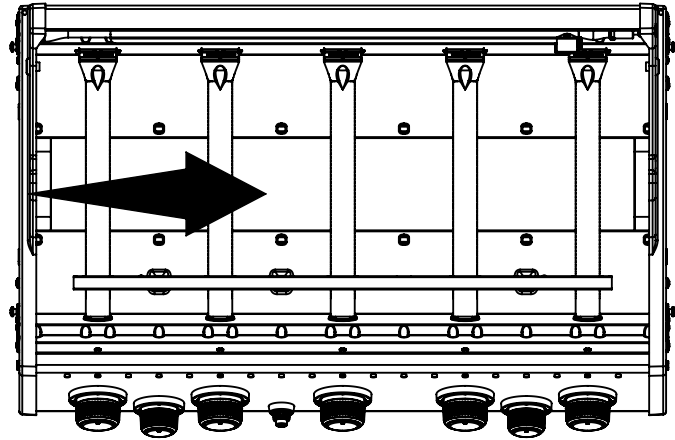
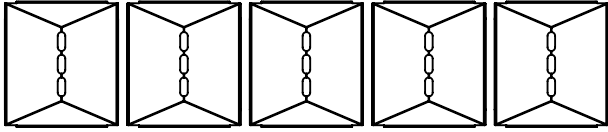


3

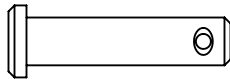
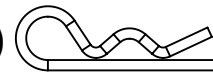


4

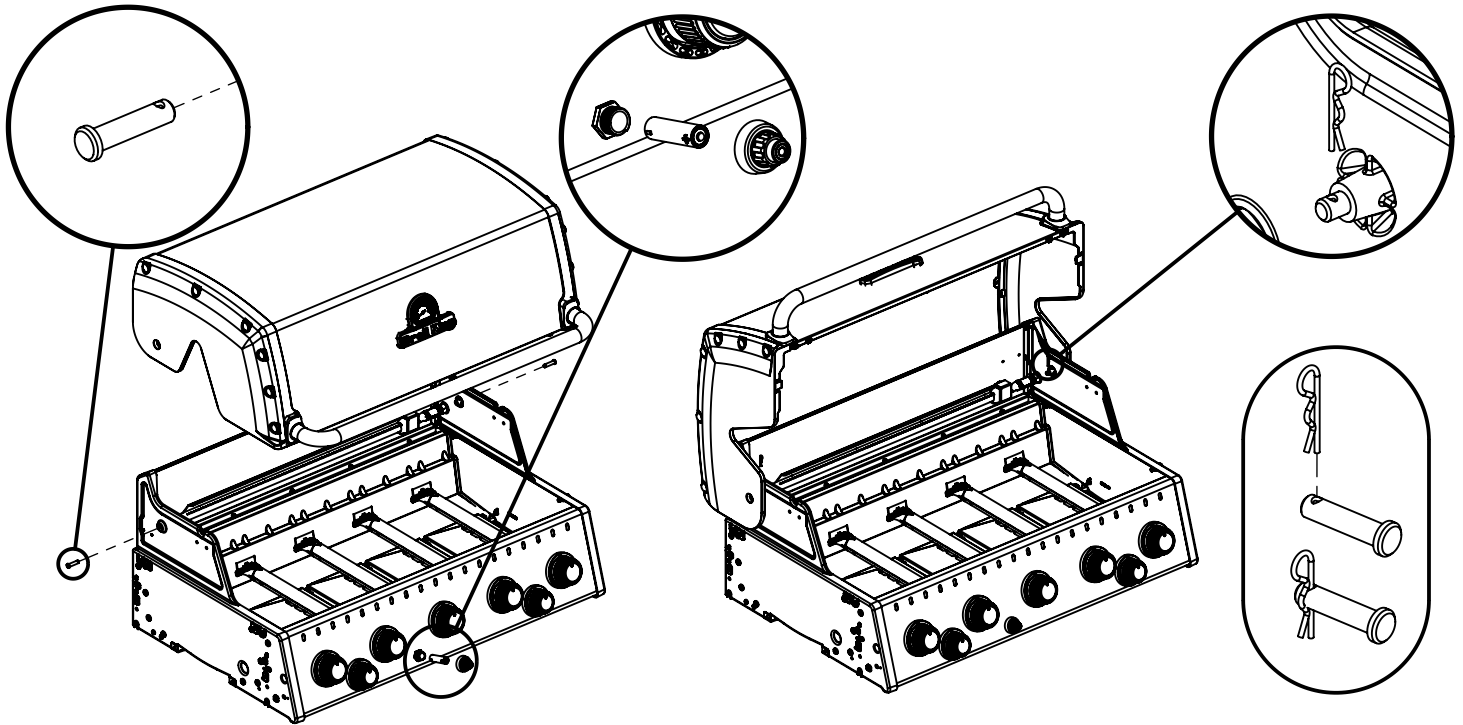




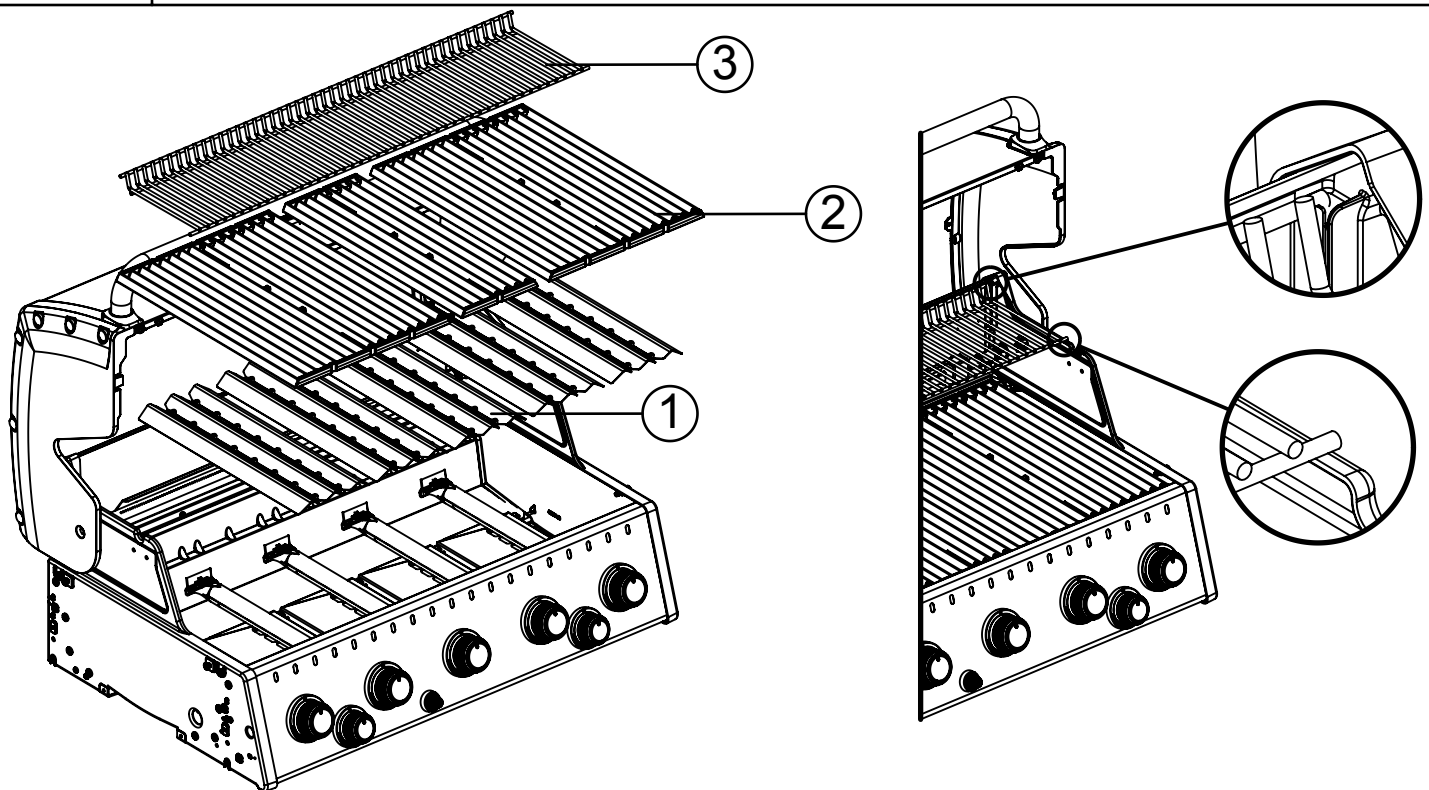
21

(2)  (2) 

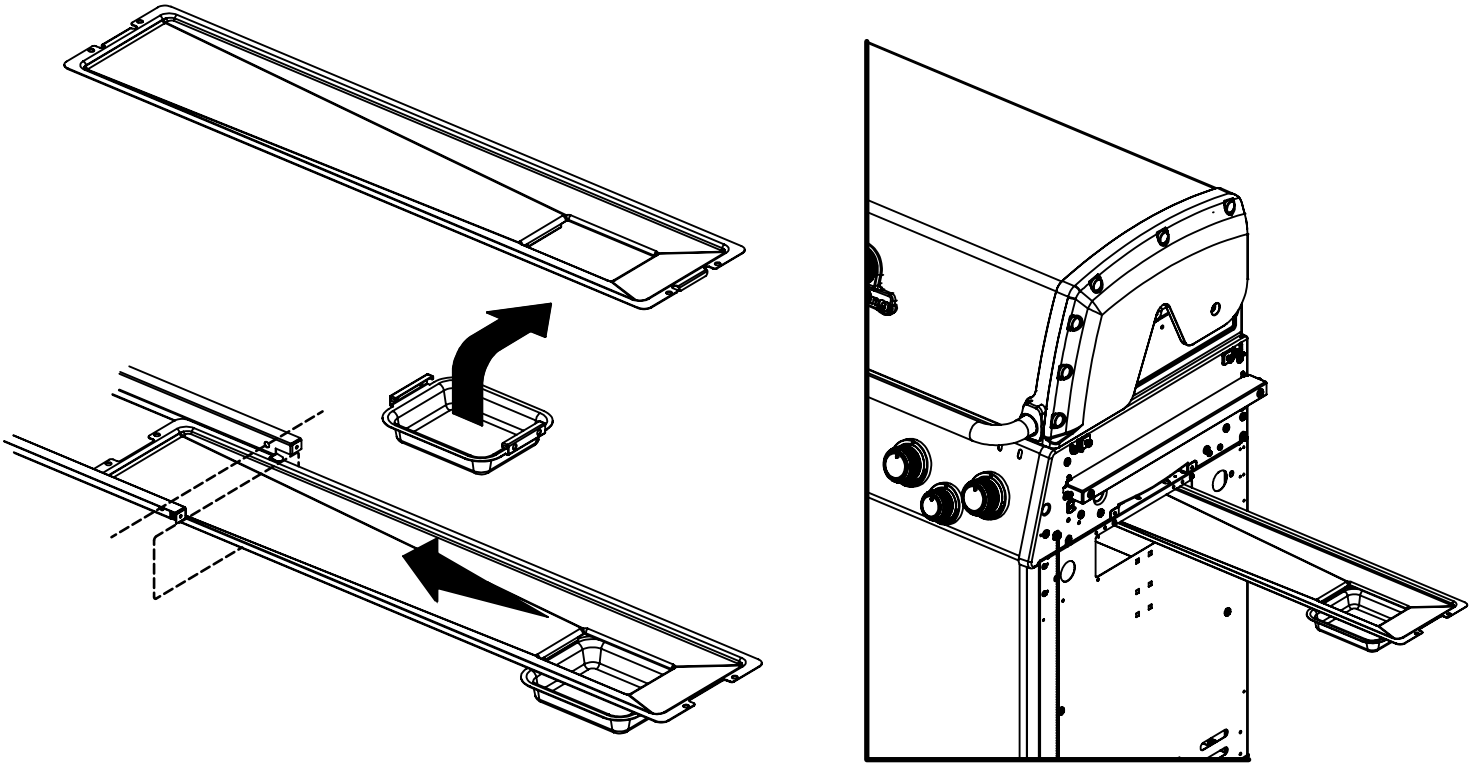
(1) 



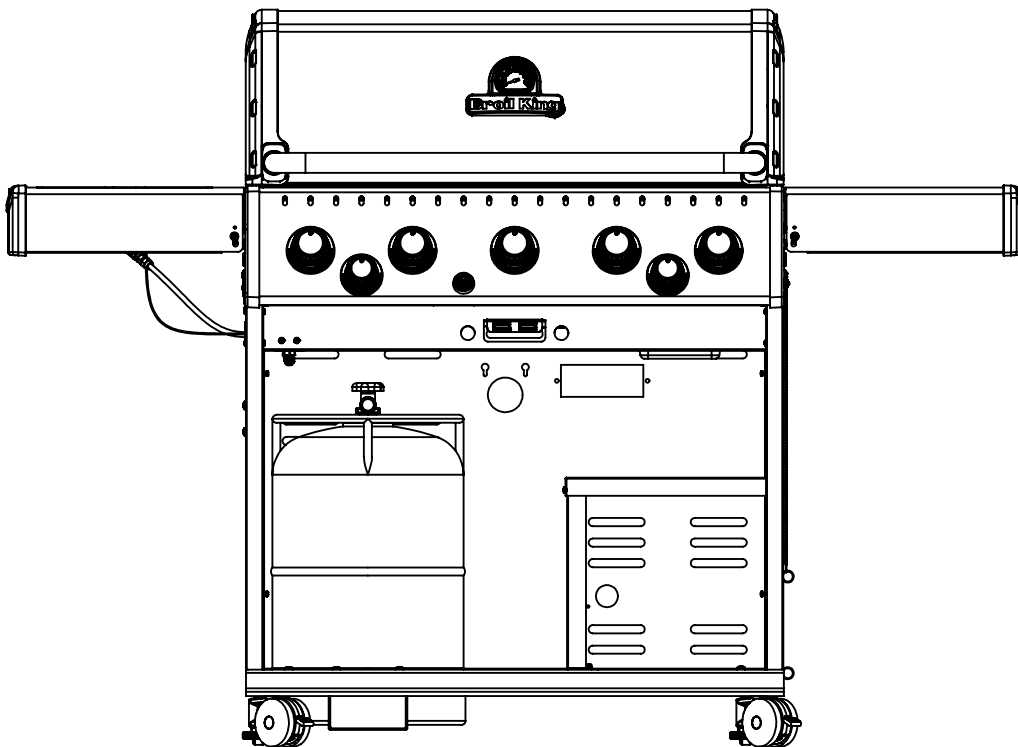
22



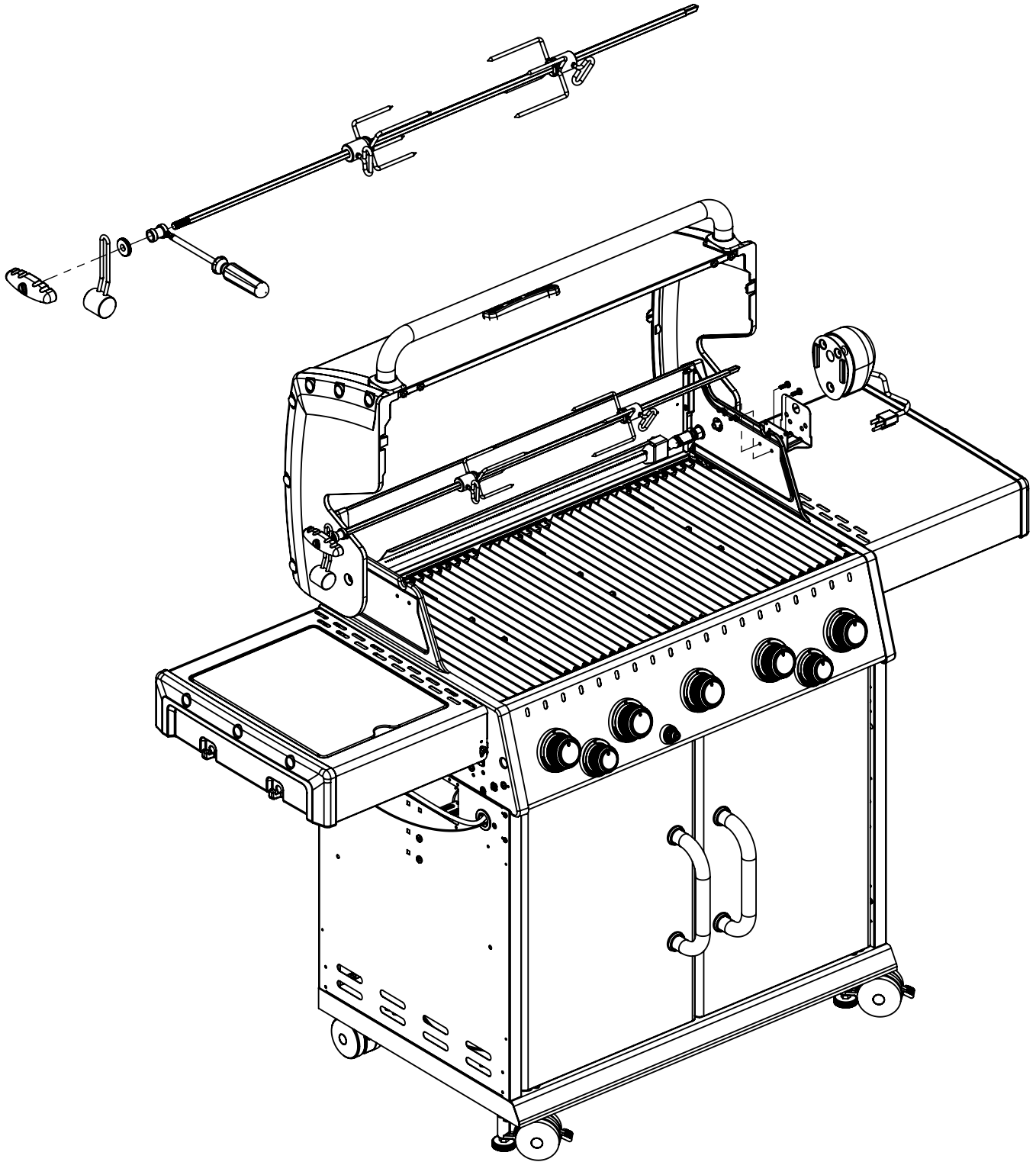
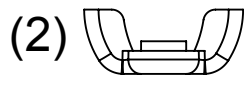
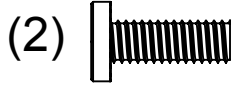
23

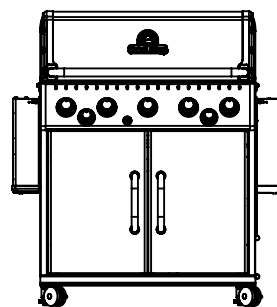
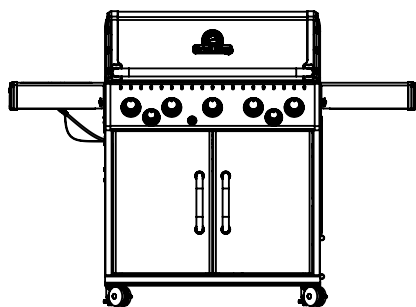


24

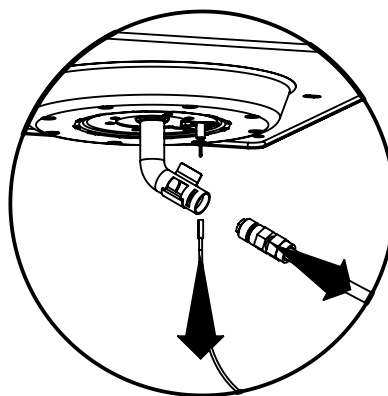
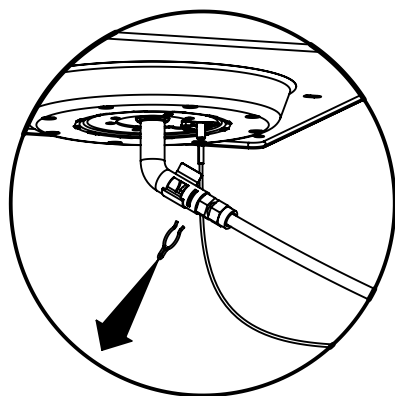


25

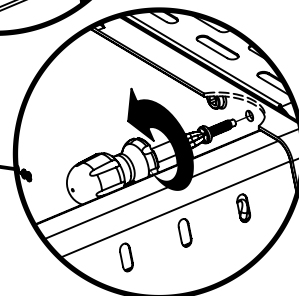
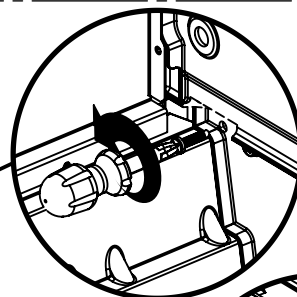
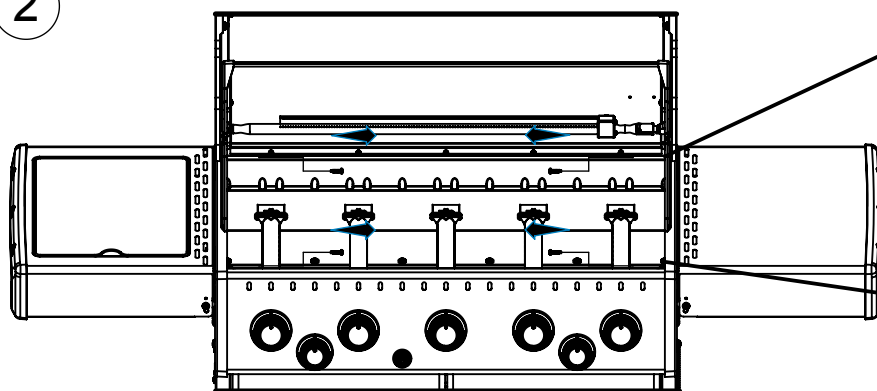




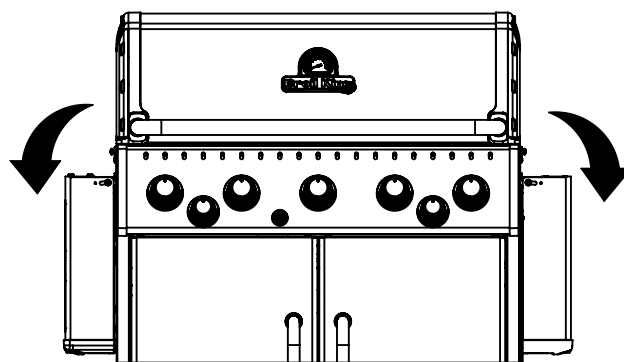
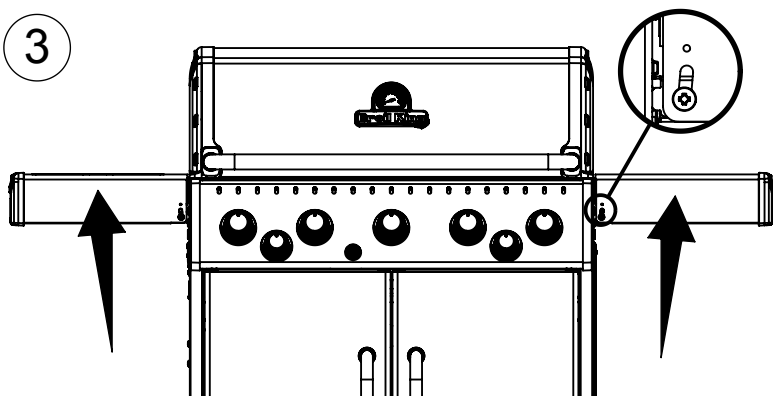
1

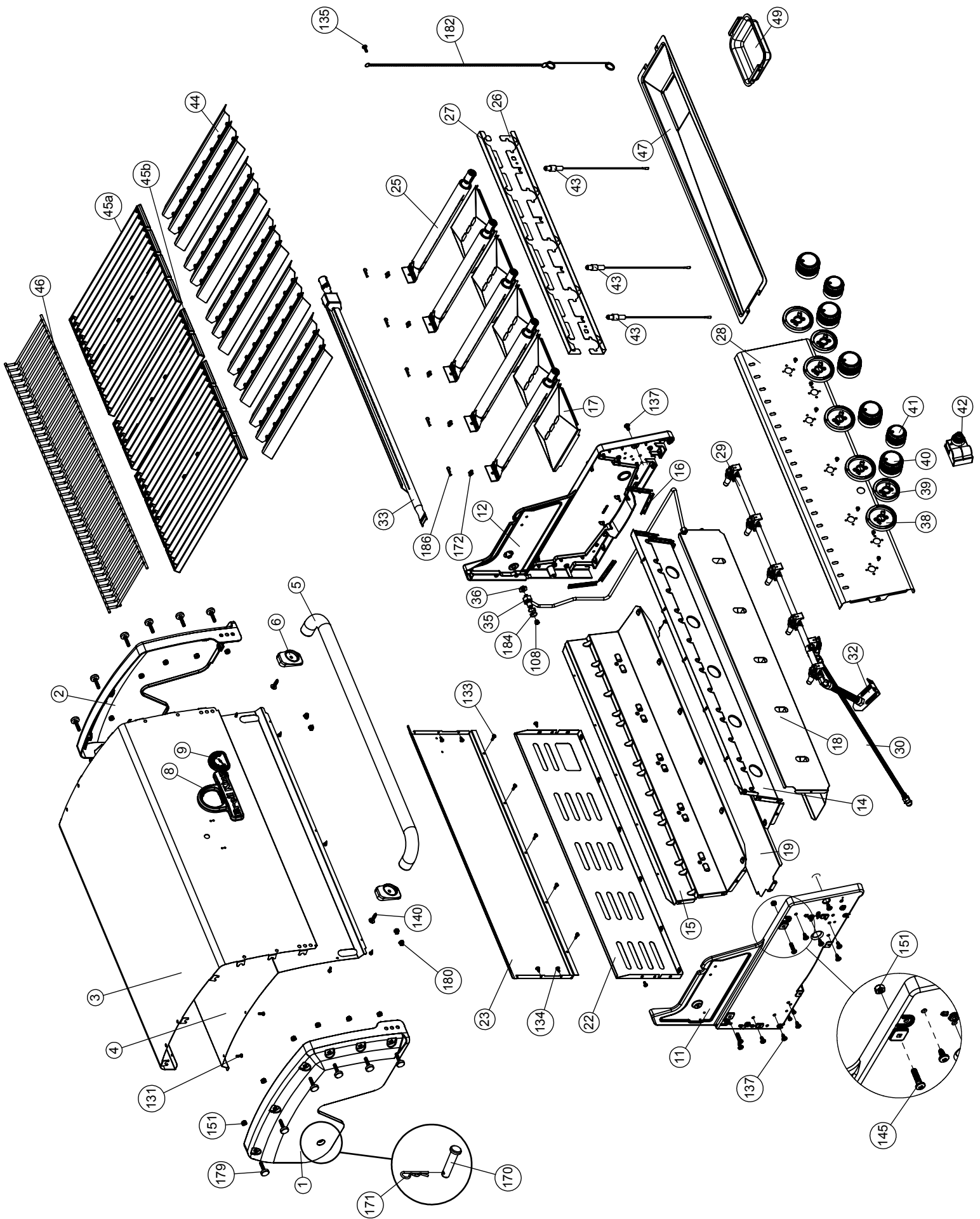


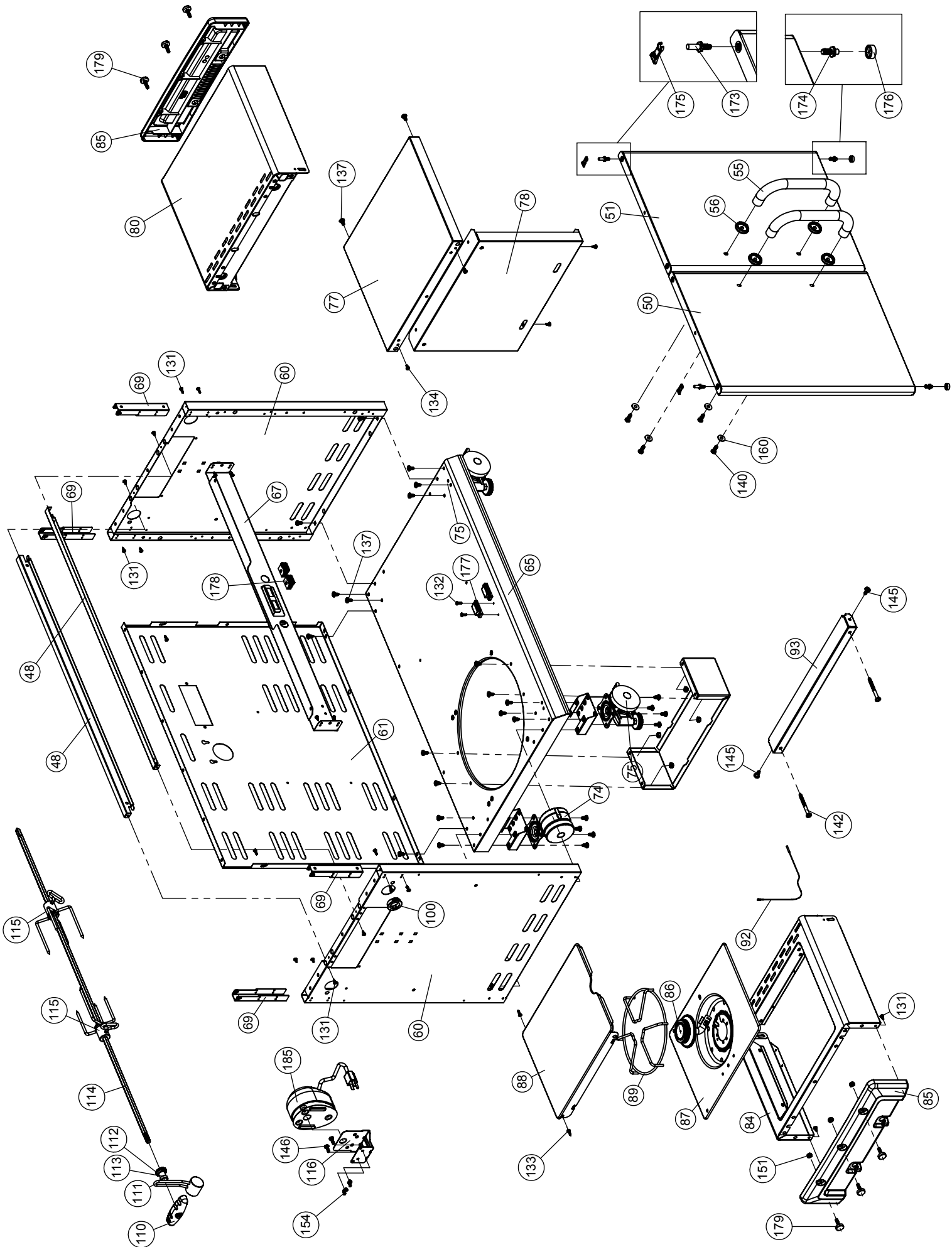
2



3







KEY #	ITEM #	DESCRIPTION	9239-82	9239-83	9239-86	KEY #	ITEM #	DESCRIPTION	9239-82	9239-83	9239-86
1	56144-231	LID - SIDE PANEL - LEFT	1	1	1	77	25208-201	SHELF	1	1	1
2	56144-211	LID - SIDE PANEL - RIGHT	1	1	1	78	21036-901	SHELF SUPPORT	1	1	1
3	56346-211	LID - OUTER PANEL	1	1	1	80	53201-614	SIDE SHELF	1	1	1
4	56246-21	LID - INNER PANEL	1	1	1	84	53201-654	SIDE SHELF - SIDE BURNER	1	1	1
5	24006-12A	HANDLE	1	1	1	85	53409-138	SIDE SHELF - END CAP	2	2	2
6	54009-936	HANDLE BEZEL	2	2	2	86	10390-E10D	SIDE BURNER	1	•	•
8	10081-BK630	NAMEPLATE	1	1	1		10390-E10E		•	1	•
9	10571-6	HEAT INDICATOR	1	1	1		10390-E10EN		•	•	1
11	52150-931	PANEL - SIDE UPPER - LEFT	1	1	1	87	23000-271	SIDE BURNER - BODY	1	1	1
12	52150-911	PANEL - SIDE UPPER - RIGHT	1	1	1	88	23000-254	SIDE BURNER - COVER	1	1	1
14	52206-111	PANEL INNER - FRONT	1	1	1	89	53140-981	SIDE BURNER GRID	1	1	1
15	52206-121R	PANEL INNER - REAR	1	1	1	92	10342-T21	SIDE BURNER ELECTRODE	1	1	1
16	52139-201	FIREBOX BRACKET	12	12	12	93	53235-201	PIVOT BRACKET	2	2	2
17	27249-904	GREASE SHEILD	5	5	5	100	Y-12220	GROMMET	1	1	1
18	52066-91	HEAT SHEILD - FRONT	1	1	1	108	10693-099	REAR BURNER - ORIFICE	1	•	•
19	52046-92	HEAT SHEILD - REAR	1	1	1		10693-104		•	1	•
20	57159-111	CONTROL COVER - BRACKET	2	2	2		10693-161		•	•	1
22	52306-121	PANEL - REAR	1	1	1	110	S15271	HANDLE	1	1	1
23	52316-151	PANEL - HOOD	1	1	1	111	S15270	BALANCE	1	1	1
25	52909-104D	BURNER - MAIN	5	•	•	112	S15299	WASHING	1	1	1
	52909-104E		•	5	•	113	S15263	BUSHING	1	1	1
	52909-104NGE		•	•	5	114	S15259	ROTISSERIE ROD	1	1	1
26	22226-014	COLLECTOR BOX - FRONT LOWER	1	1	1	115	S15287	4 PRONG FORK	2	2	2
27	22216-014	COLLECTOR BOX - FRONT UPPER	1	1	1	116	57039-901	ROTISSERIE BRACKET	1	1	1
28	52026-304BAR	CONTROL COVER	1	1	1	130	Y-12835	SCREW - #6 X 1/4	2	2	2
29	59006-072	CONTROL ASSEMBLY	1	•	•	131	S21125	SCREW - #8 X 3/8	13	13	13
	59006-075		•	1	1	132	S21124	SCREW - #8 X 1/2	12	12	12
30	S13473-073	HOSE - SIDE BURNER	1	•	•	133	Y-12646	SCREW - SHOULDER #8 X 1/2	12	12	12
	S13473-079		•	1	•	134	Y-29304	SCREW - #10-24 X 3/8	12	12	12
	S13473-118		•	•	1	135	S35094	SCREW - #10-24 X 5/8	1	1	1
32	10111-15A	HOSE	1	1	1	136	Y-29310	SCREW - #10-24 X 3/4	4	4	4
35	50809-957	REAR BURNER - MANIFOLD	1	1	1	137	Y-12865	SCREW - 1/4-20 X 1/2	48	48	48
36	Y-11990	NUT HEX	1	1	1	140	Y-12310	SCREW - 1/4-20 X 3/4	4	4	4
36	27906-354E	REAR BURNER	1	1	1	142	Y-11562	SCREW - 1/4-20 X 2 1/2	4	4	4
38	22002-268	CONTROL BEZEL	5	5	5	145	Y-11546	SCREW - SHOULDER - 1/4-20 X 5/8	4	4	4
39	22001-168	CONTROL BEZEL	2	2	2	150	Y-29307	NUT - #10-24	2	2	2
40	22001-768	CONTROL KNOB	5	5	5	151	Y-11793	NUT - 1/4-20	22	22	22
41	22001-668	CONTROL KNOB	2	2	2	152	Y-11598	WING NUT - 1/4-20	1	1	1
42	10342-251	ELECTRONIC IGNITOR	1	1	1	153	S21061	WING NUT - #10-24	2	2	2
43	10342-E13	ELECTRODE	3	3	3	160	S21255	WASHER - 5/16	7	7	7
44	52209-404	FLAV-R-WAVE ®	5	5	5	161	Y-12870	WASHER - #10	5	5	5
45	52005-281	CAST GRID	5	5	5	162	S21252	WASHER - M4	6	6	6
46	52006-991	GRID - WARMING RACK	1	1	1	163	Y-12641	SCREW - SHOULDER #8-32 X 1/2	12	12	12
47	25056-901	GREASE TRAY	1	1	1	170	S21235	HINGE PIN	2	2	2
48	21036-991	GREASE TRAY - RAIL	2	2	2	171	S21233	CLIP	2	2	2
49	52009-902	GREASE PAN	1	1	1	172	Y-11544	BURNER SCREW	4	4	4
50	51176-131A	DOOR -LEFT	1	1	1	173	10240-19	DOOR HINGE PIN - TOP	2	2	2
51	51176-111A	DOOR - RIGHT	1	1	1	174	10240-20	DOOR HINGE PIN - BOTTOM	2	2	2
55	21071-13	DOOR HANDLE	2	2	2	175	Y-12127	DOOR CLIP	2	2	2
56	21070-13	HANDLE BEZEL	4	4	4	176	Y-12124	DOOR HINGE COVER	2	2	2
60	21109-905	CABINET - SIDE PANEL	2	2	2	177	Y-12222	MAGNET	2	2	2
61	21306-925	CABINET - REAR PANEL	1	1	1	178	Y-12223	MAGNET - SNAP IN	2	2	2
65	51616-235	CABINET - LOWER BASE	1	1	1	179	Y-11981	CHROME SCREW 1/4-20	18	18	18
66	21039-301	TANK BRACKET	1	1	1	180	SP11-25	LID BUMPER	2	2	2
67	51336-211	MAGNET BRACKET	1	1	1	181	Y-11231	LID BUMPER - ROUND	2	2	2
69	57139-13	U-CHANNEL BRACKET	4	4	4	182	20005-000	MATCH LIGHT CHAIN	1	1	1
73	51039-951	CASTER BRACKET	4	4	4	184	S21362	SPRING	1	1	1
74	10892-23	CASTER	2	2	2	185	S15242	MOTOR	1	1	1
75	10892-285	CASTER LEVELING	2	2	2	186	S21242	CLIP	5	5	5