

Broil King®



9239-82
9239-83
9239-86



9235-82
9235-83
9235-86

Onward
MANUFACTURING COMPANY
SINCE 1906
1000 EAST MARKET STREET
HUNTINGTON, INDIANA, 46750, USA



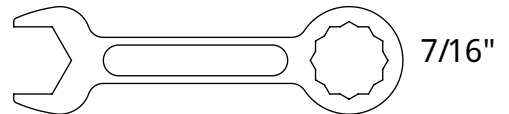
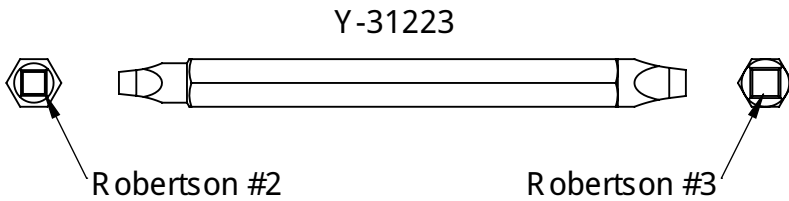
HARDWARE INCLUDED

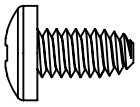
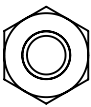
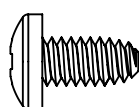


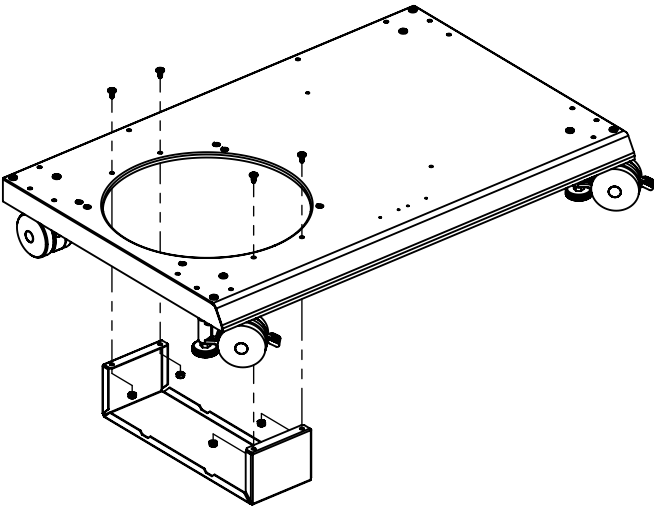
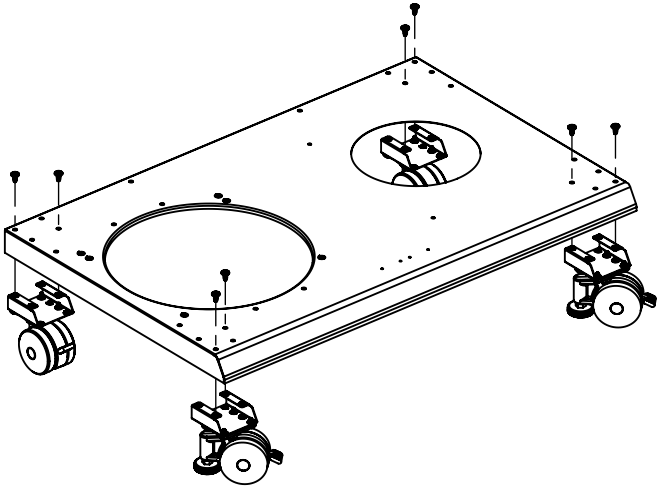
Y-12865		X30	S21125		X8			
Y-29304		X4	Y-12310		X2	S21257		X4
Y-11793		X4	S21061		X2	S35095		X2
Y-12127		X2	S21235		X2	S21233		X2
S35094		X1	20005-000					X1



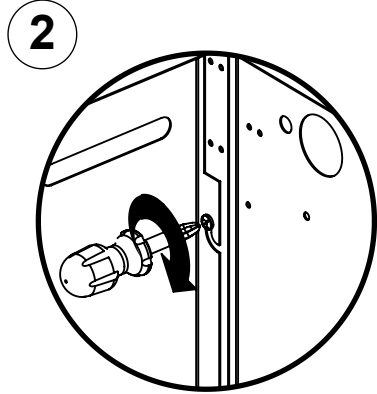
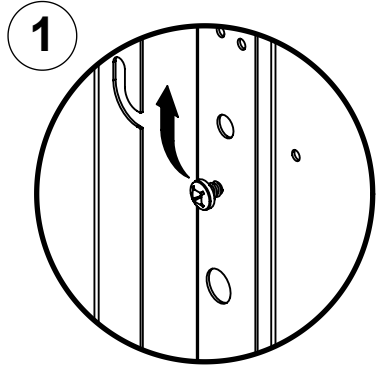
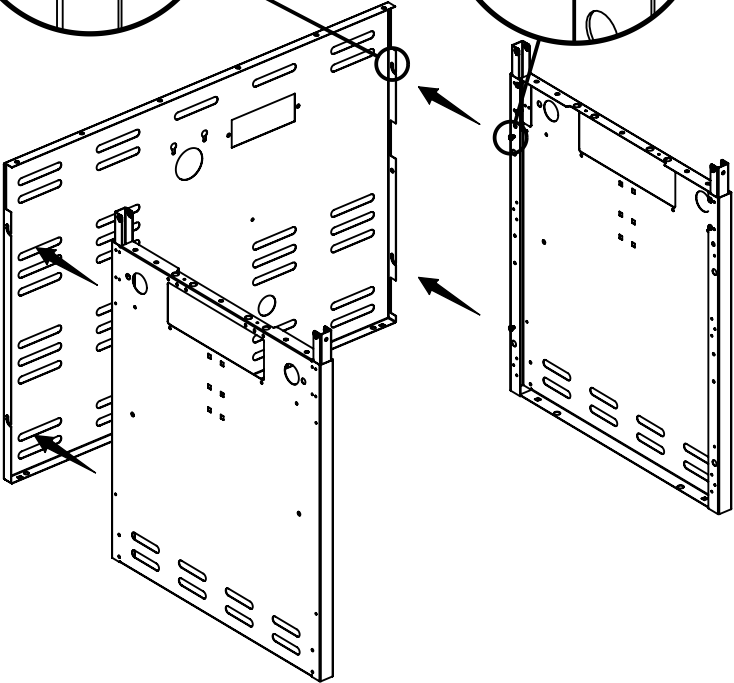
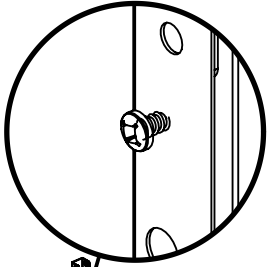
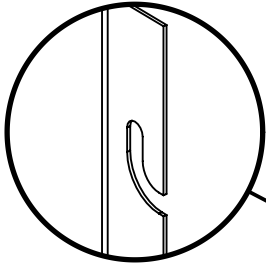
TOOLS REQUIRED



1	(8) 	(4)  (4) 
----------	--	--

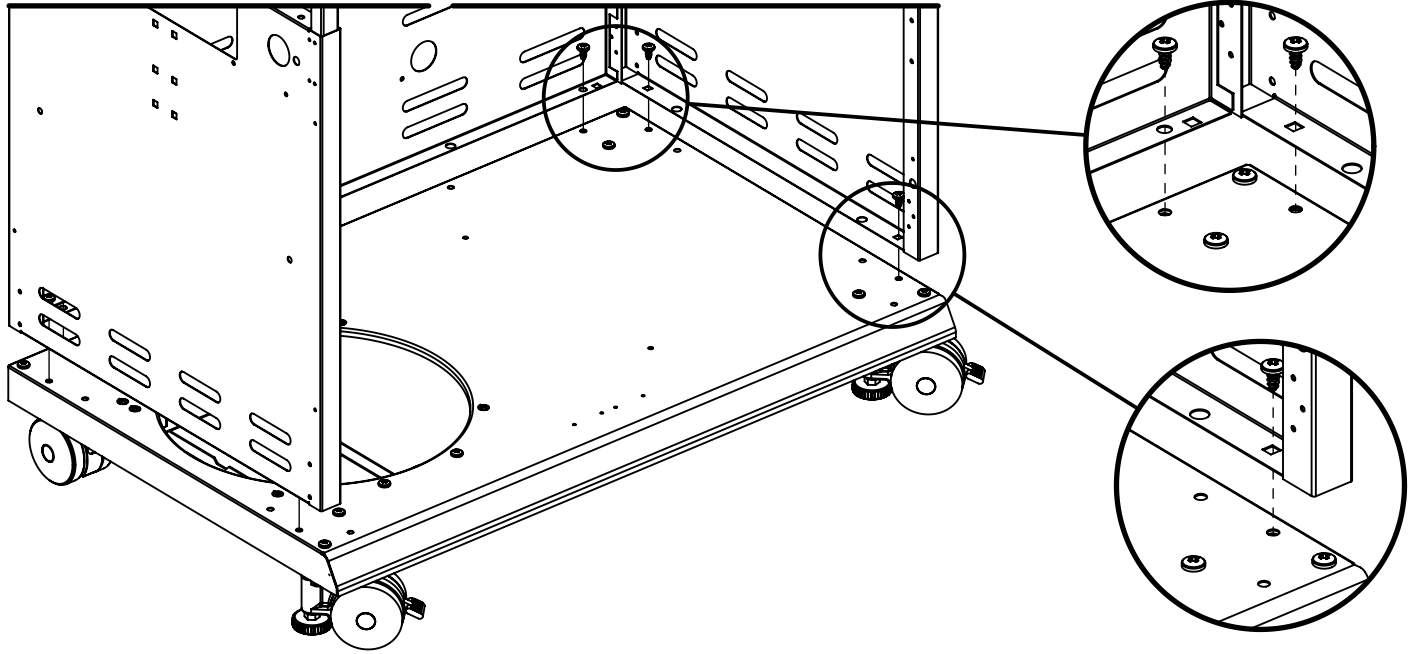
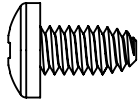


2		
----------	--	--



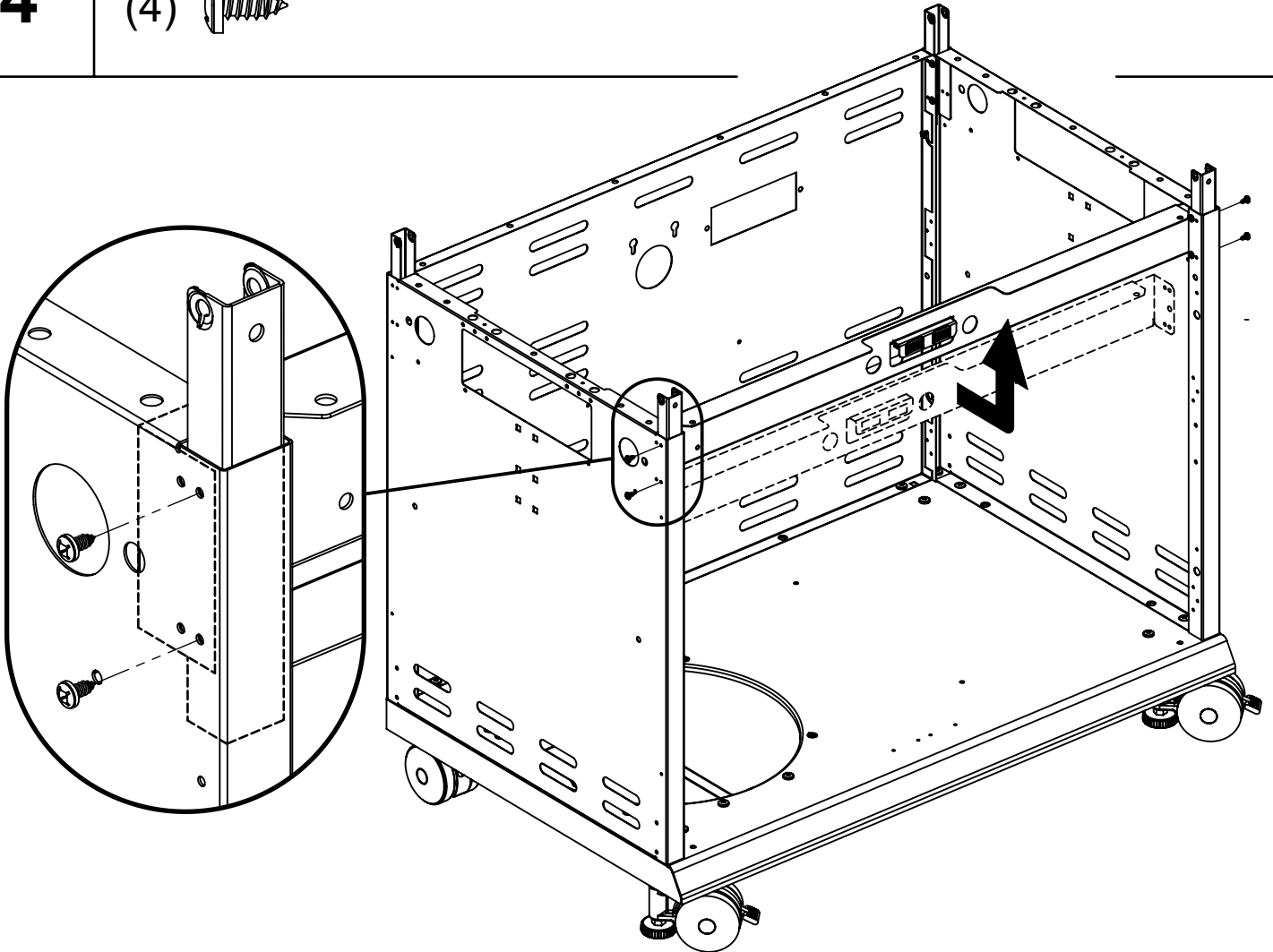
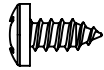
3

(6)




4

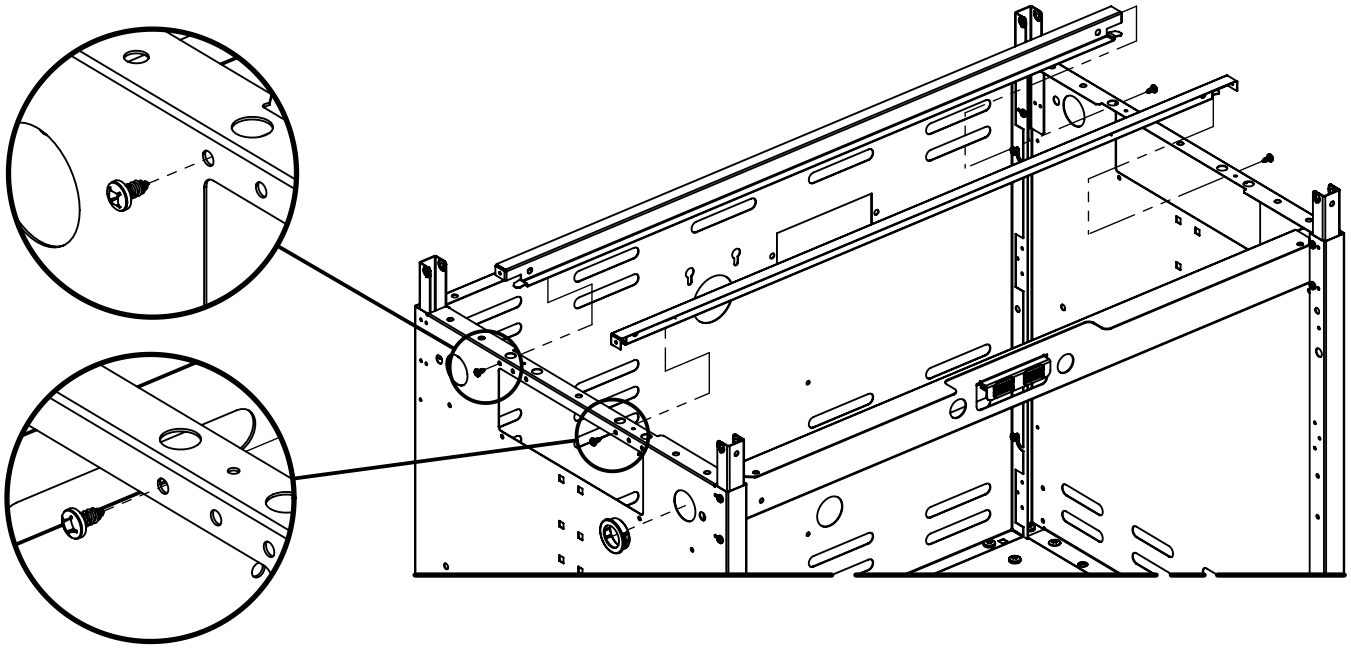
(4)



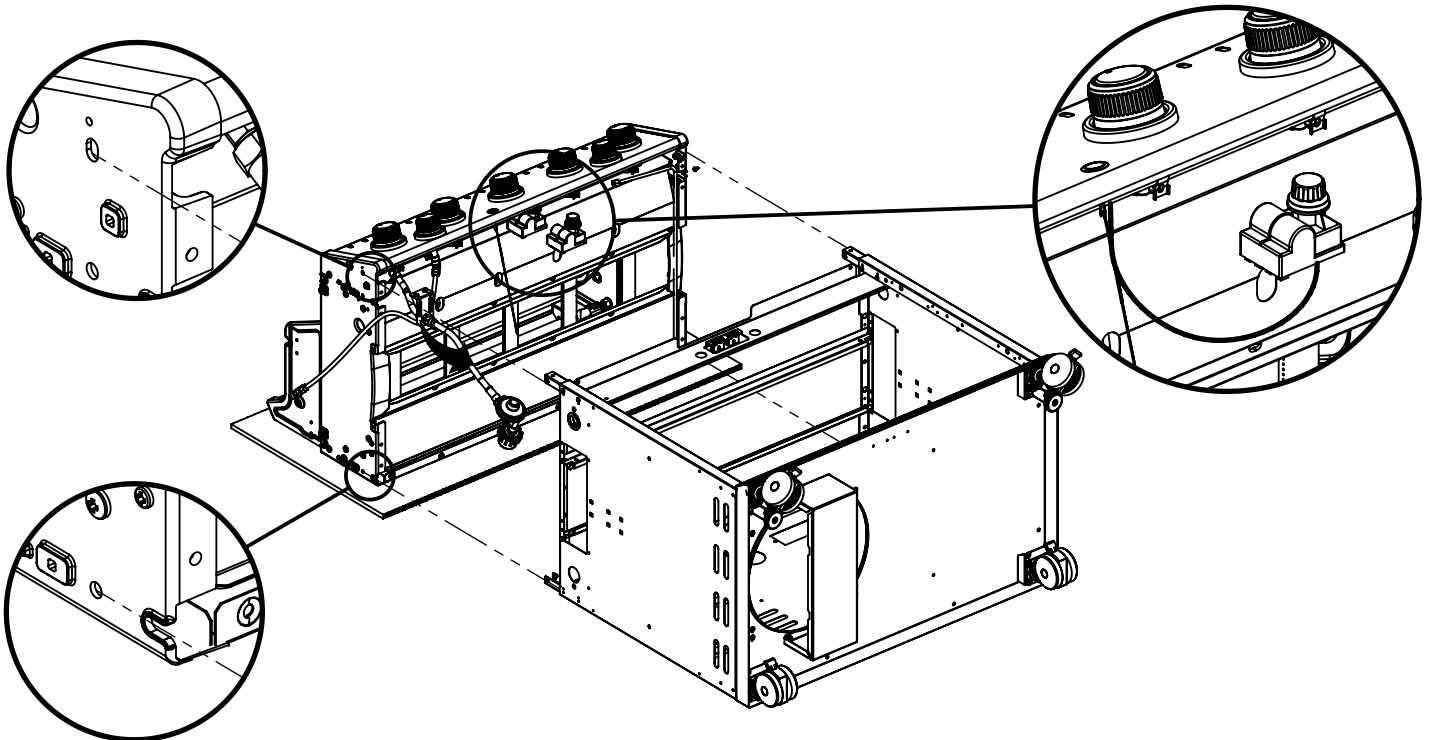
5

(4) 

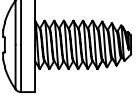
(1) 



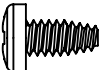
6




7

(6) 

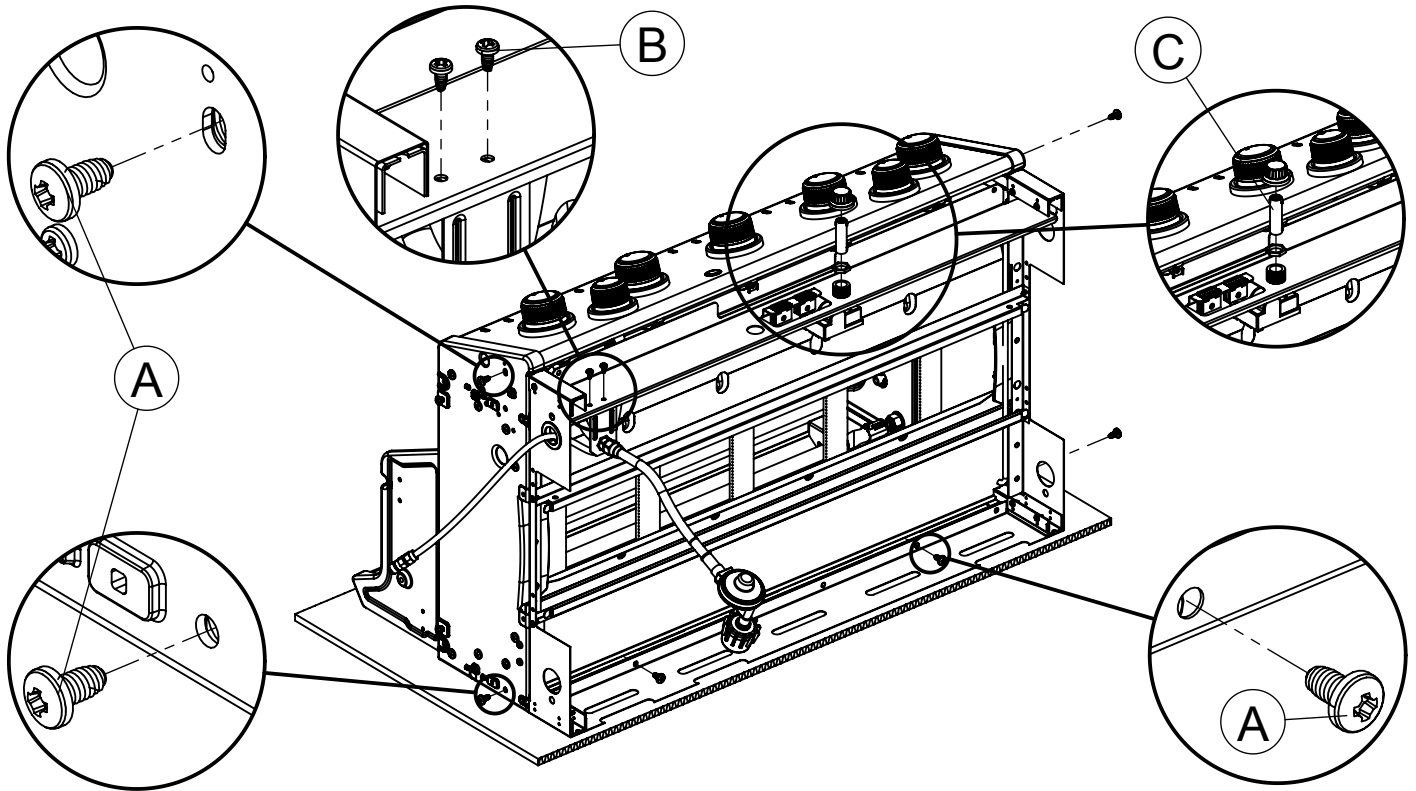
A

(2) 

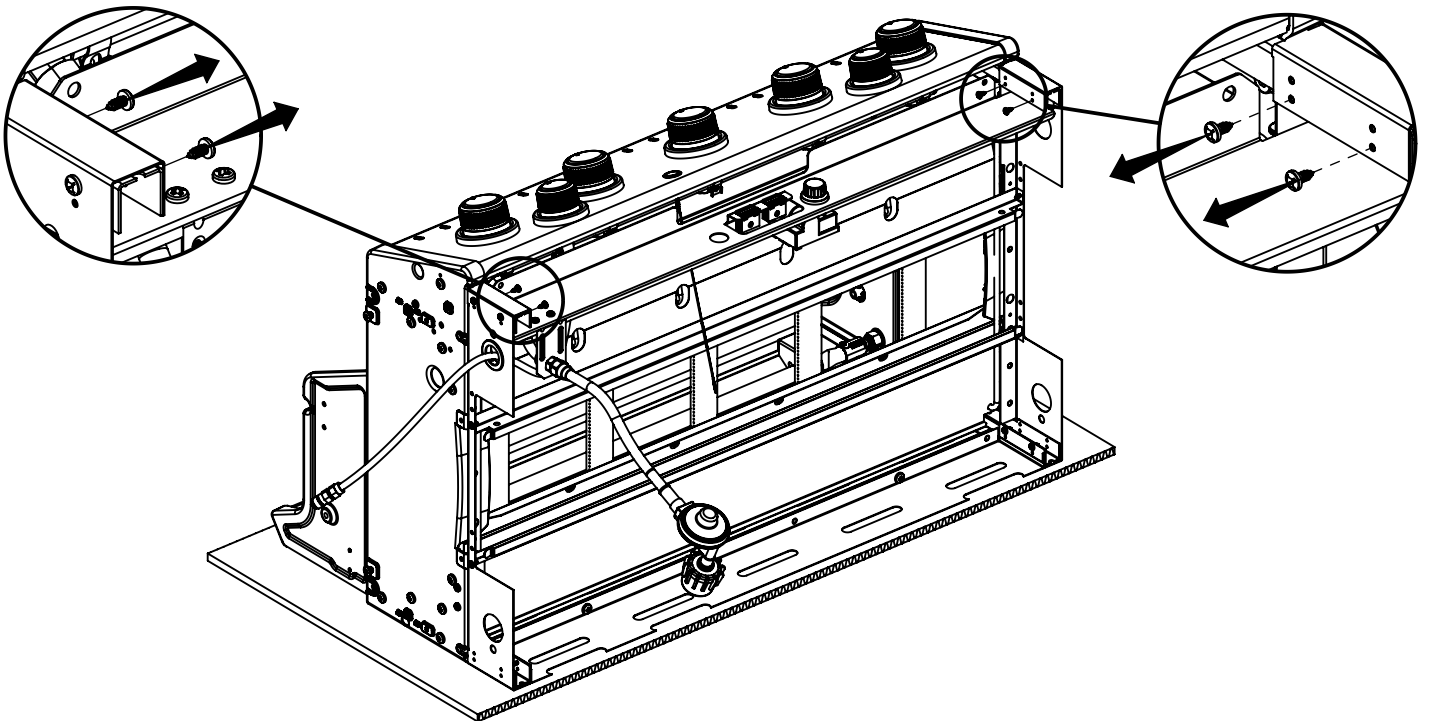
B

(1) 

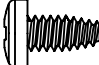
C

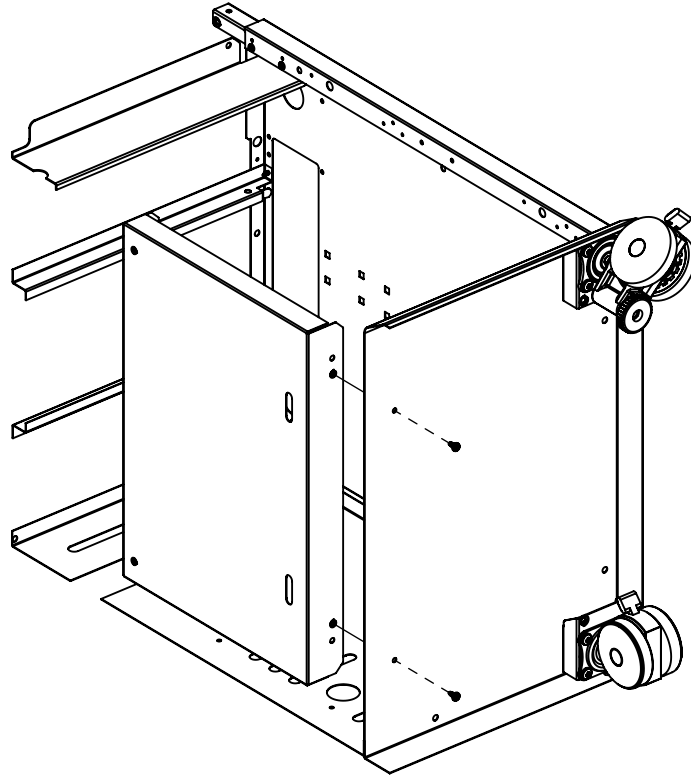


8



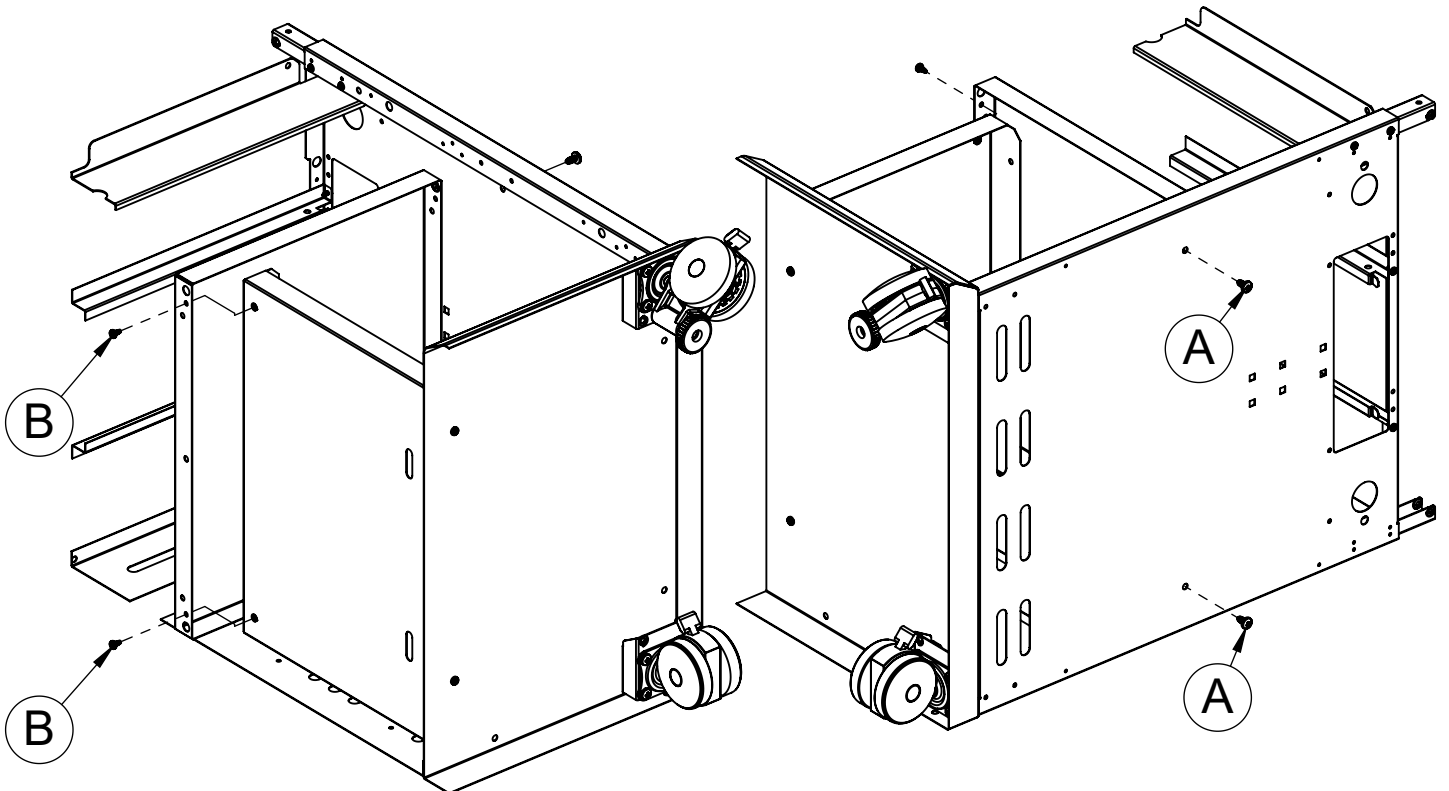
9

(2) 

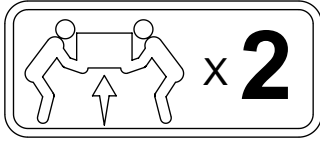


10

(2)  (A) (2)  (B)

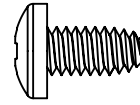


11

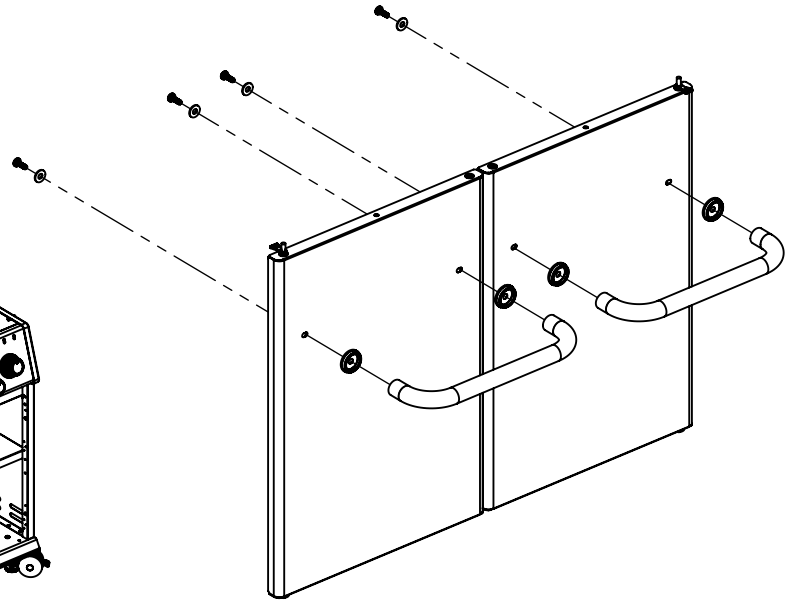
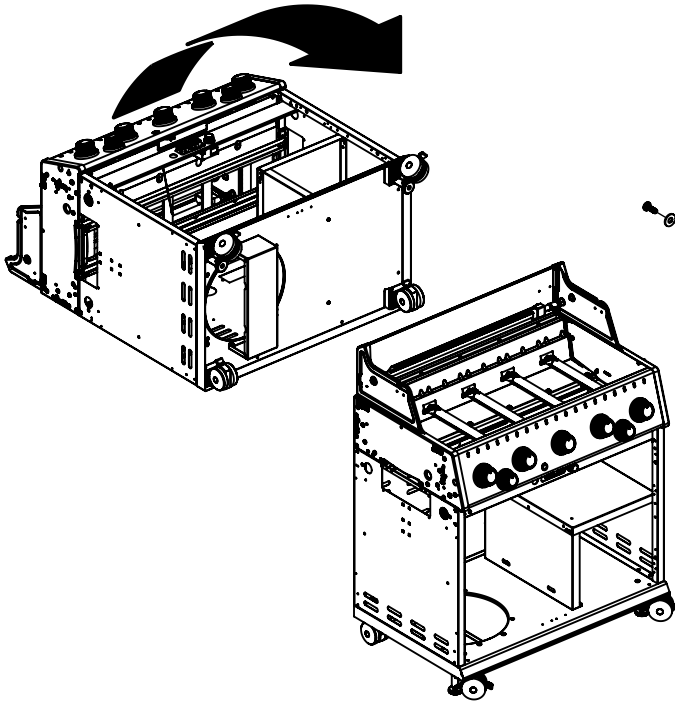
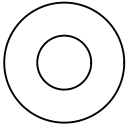


12

(4)

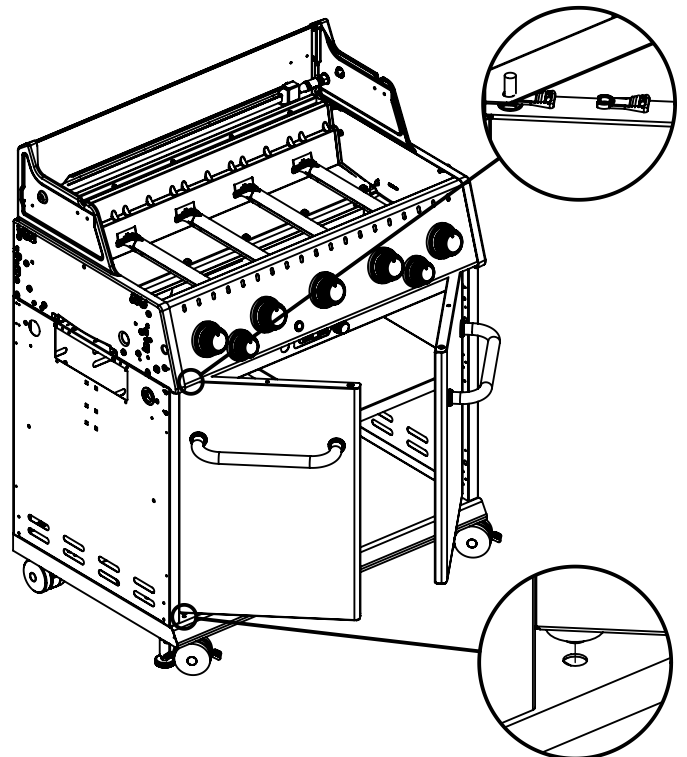
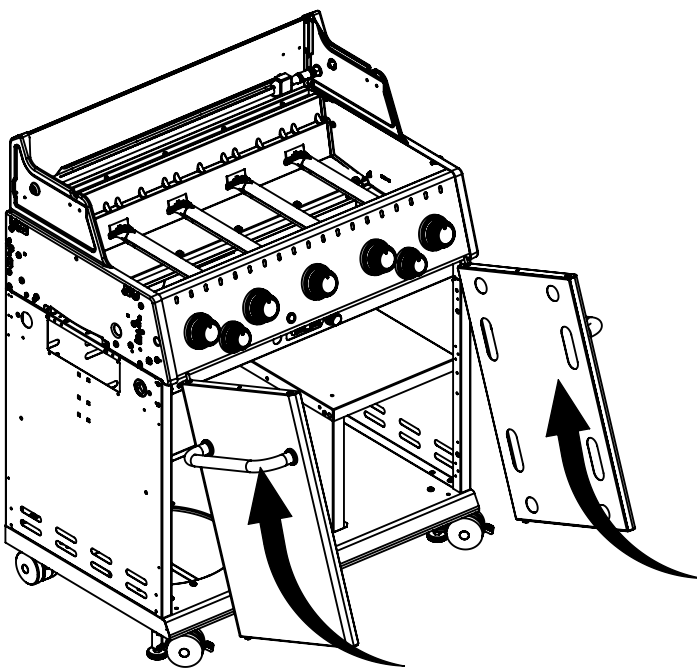
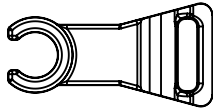


(4)



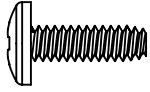
13

(2)

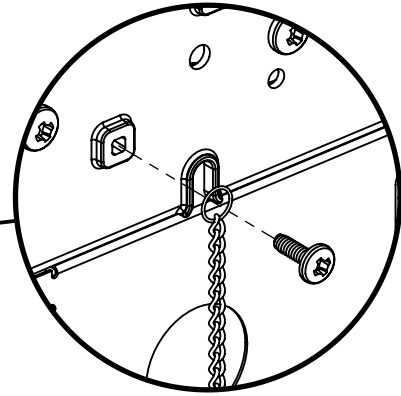
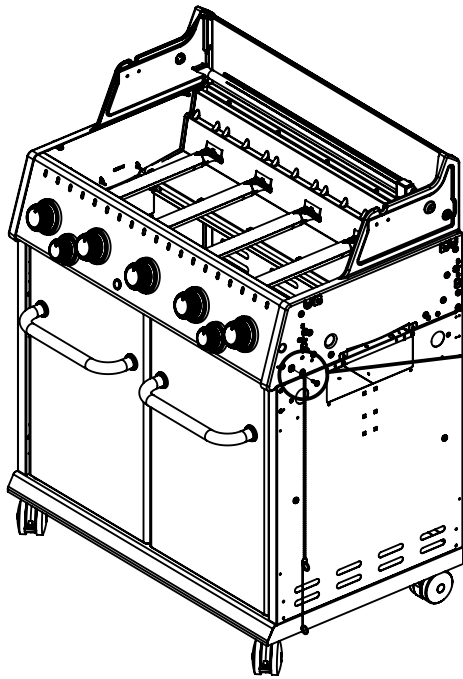
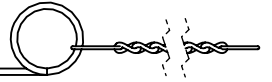


14

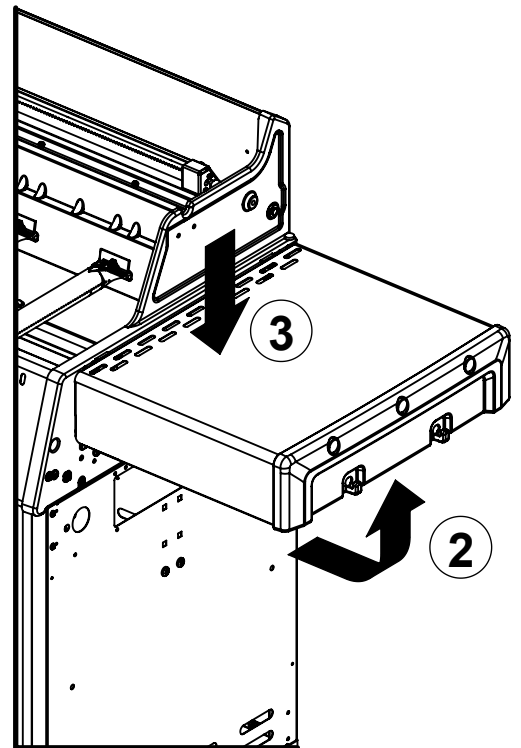
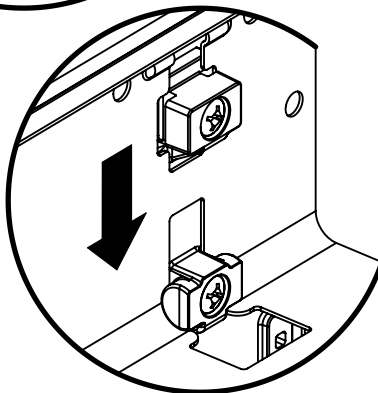
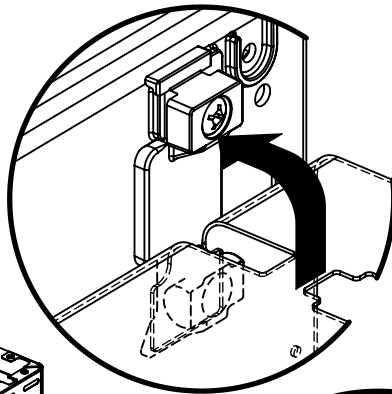
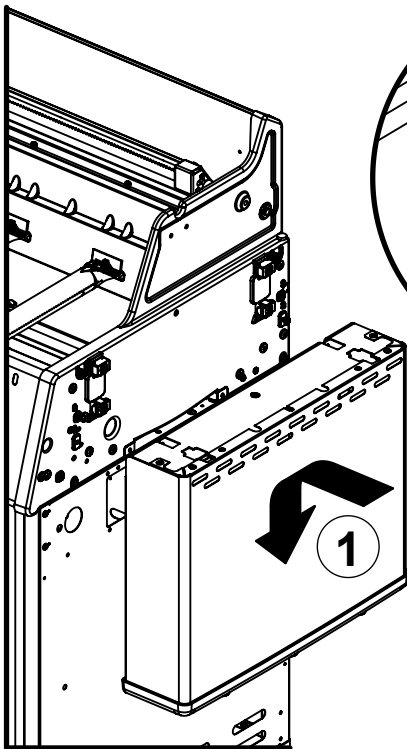
(1)



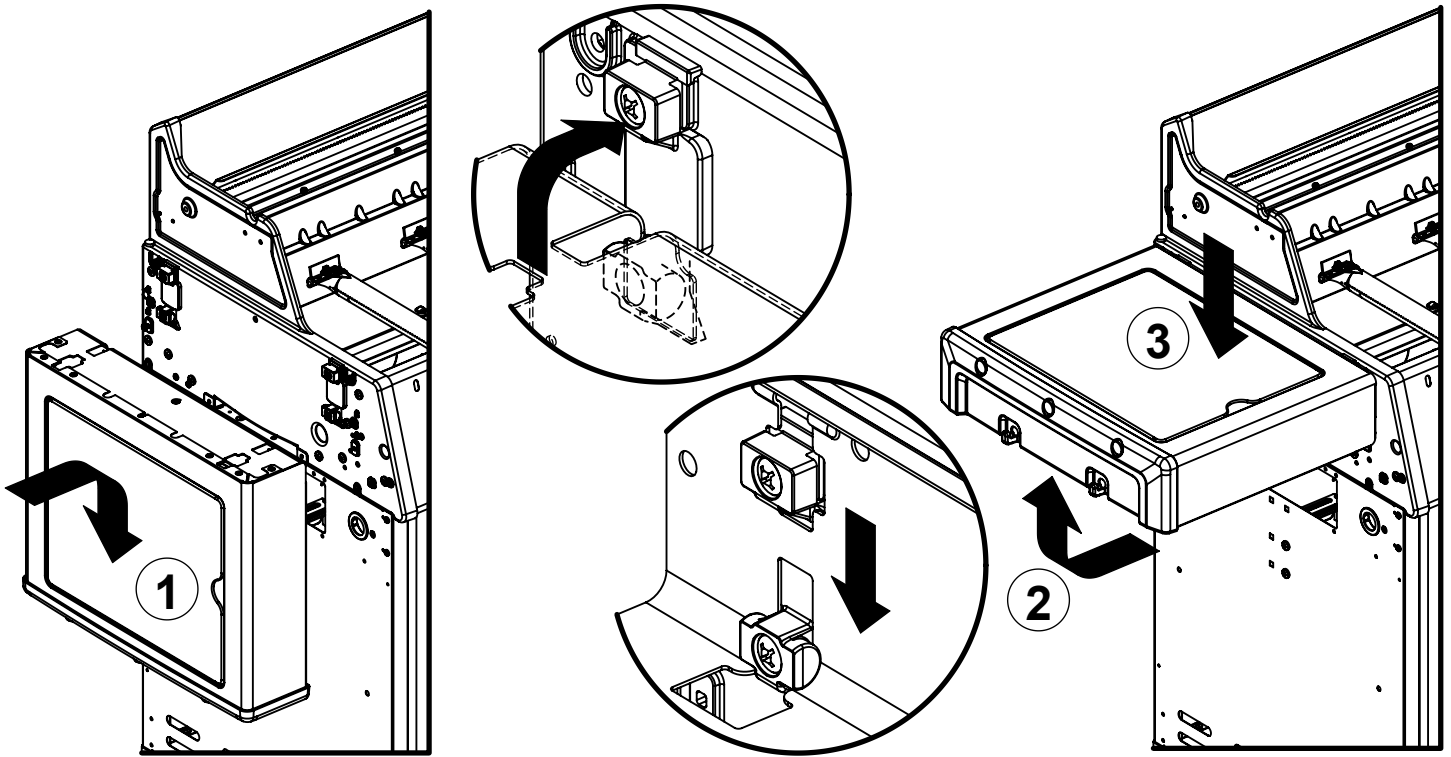
(1)



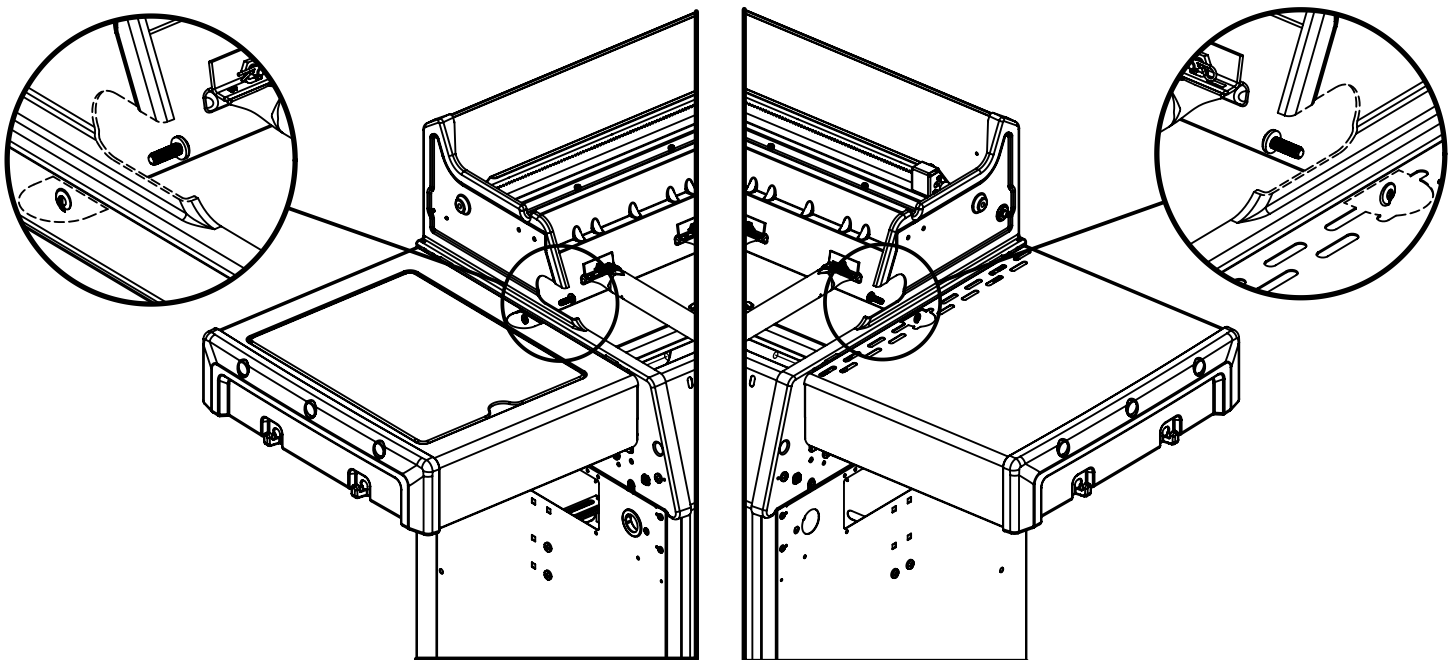
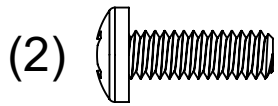
15



16

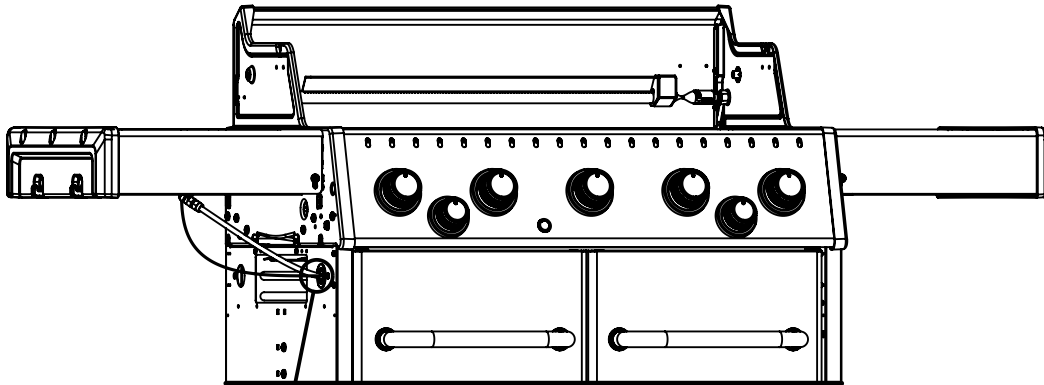
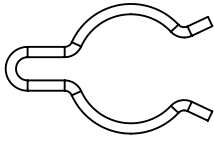


17

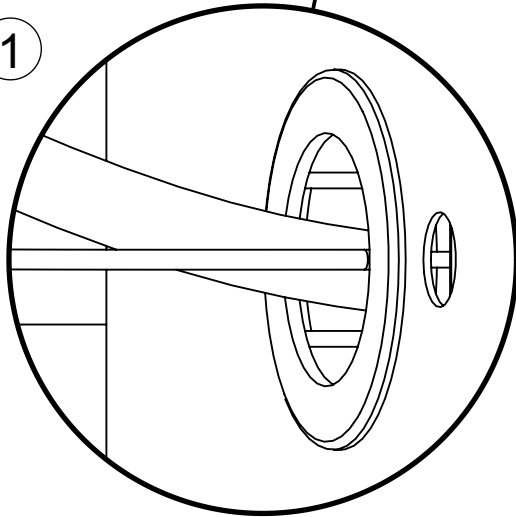


18

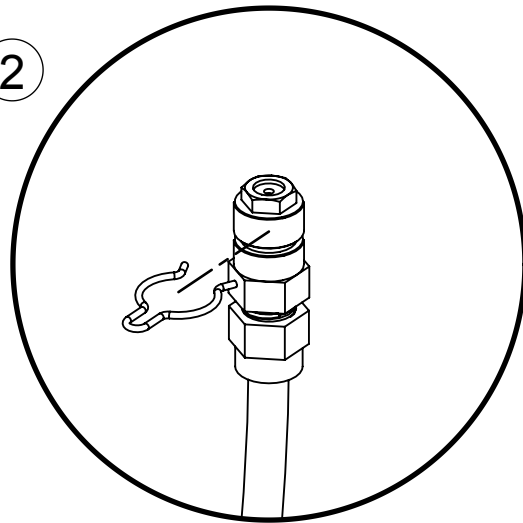
(1)



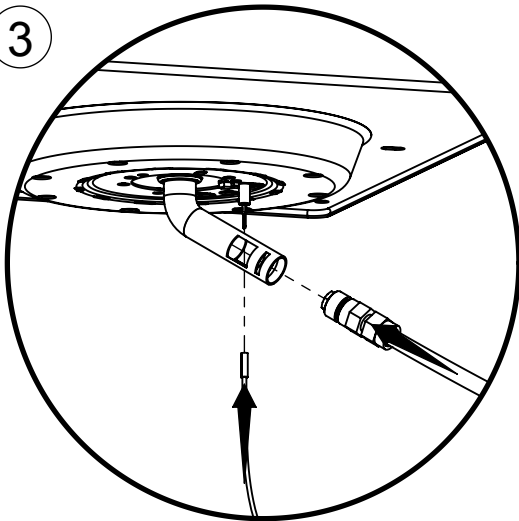
1



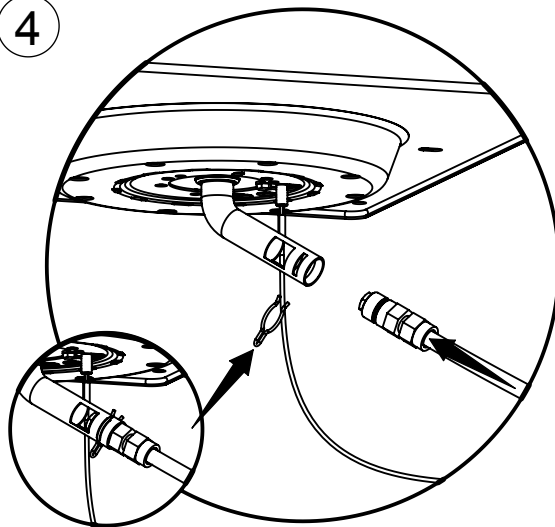
2

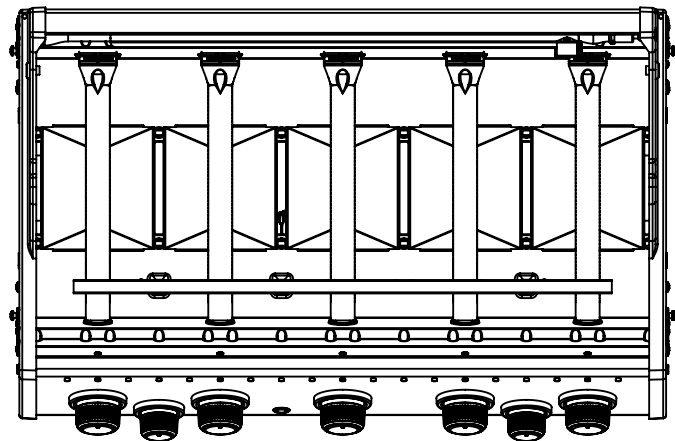
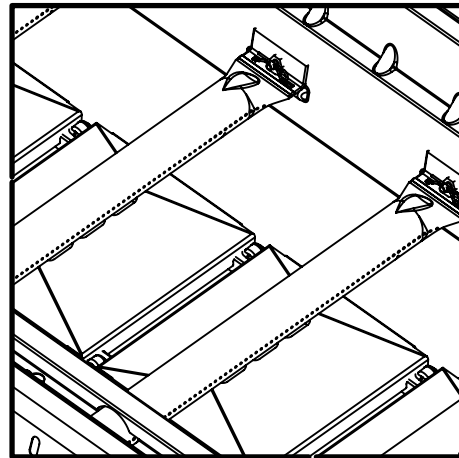
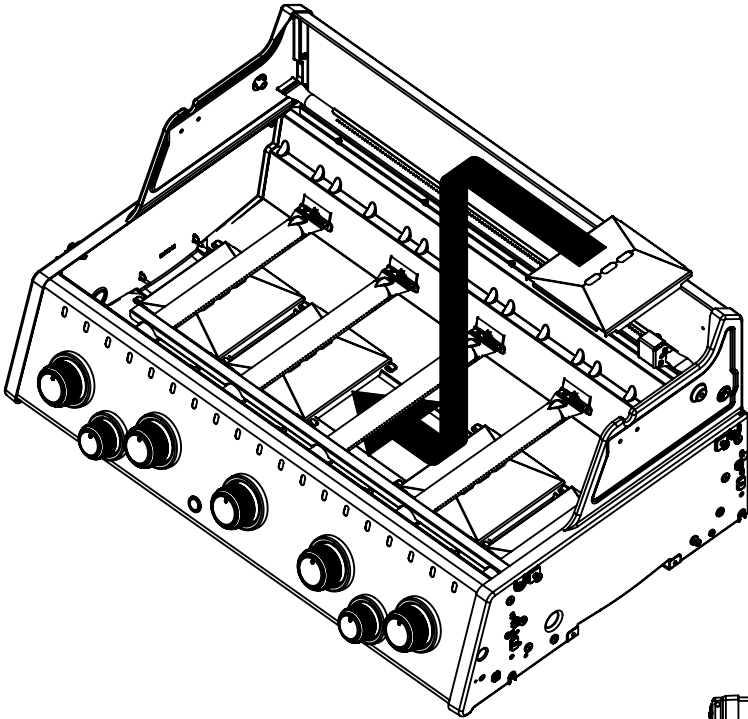
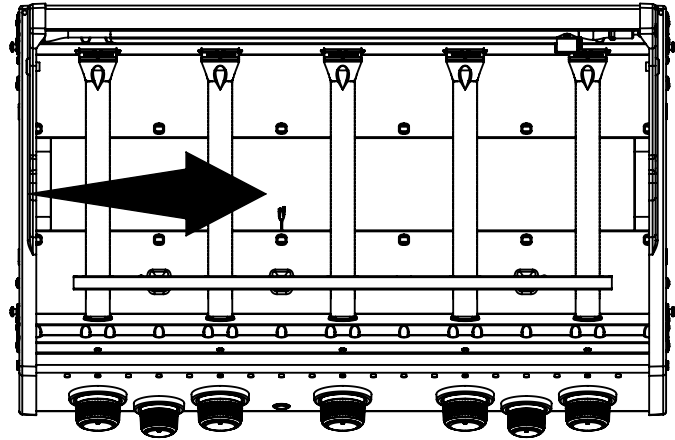
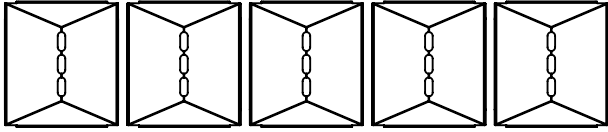


3

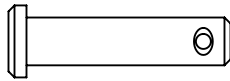
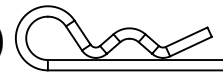


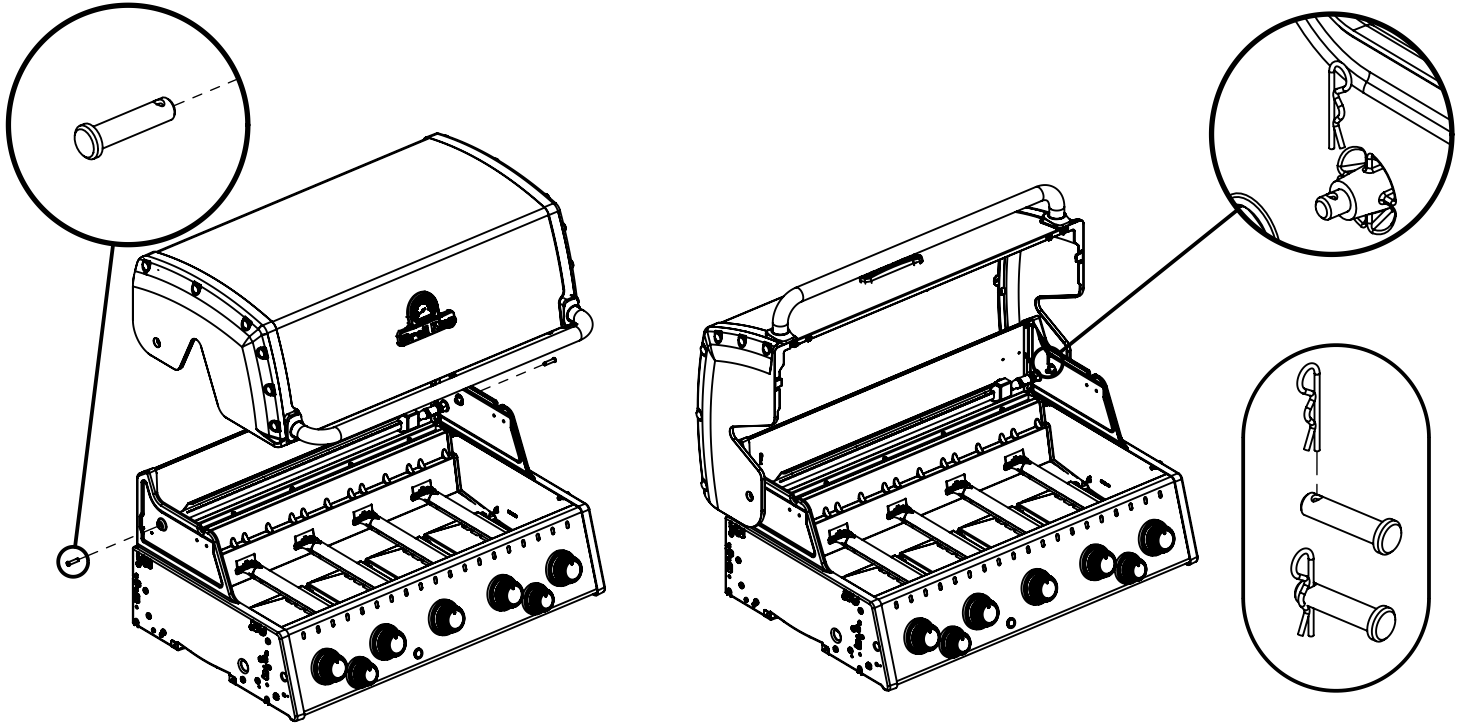
4



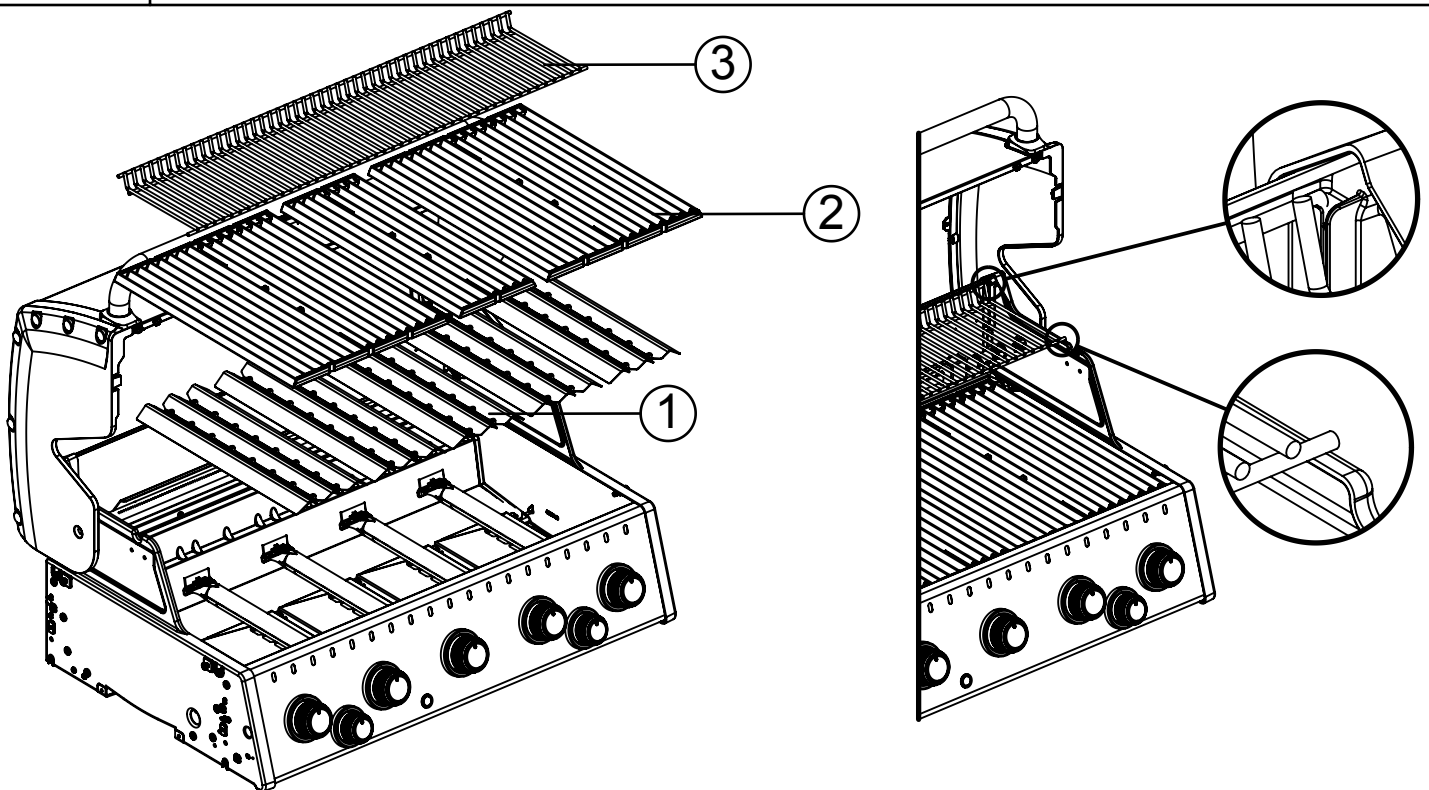


20

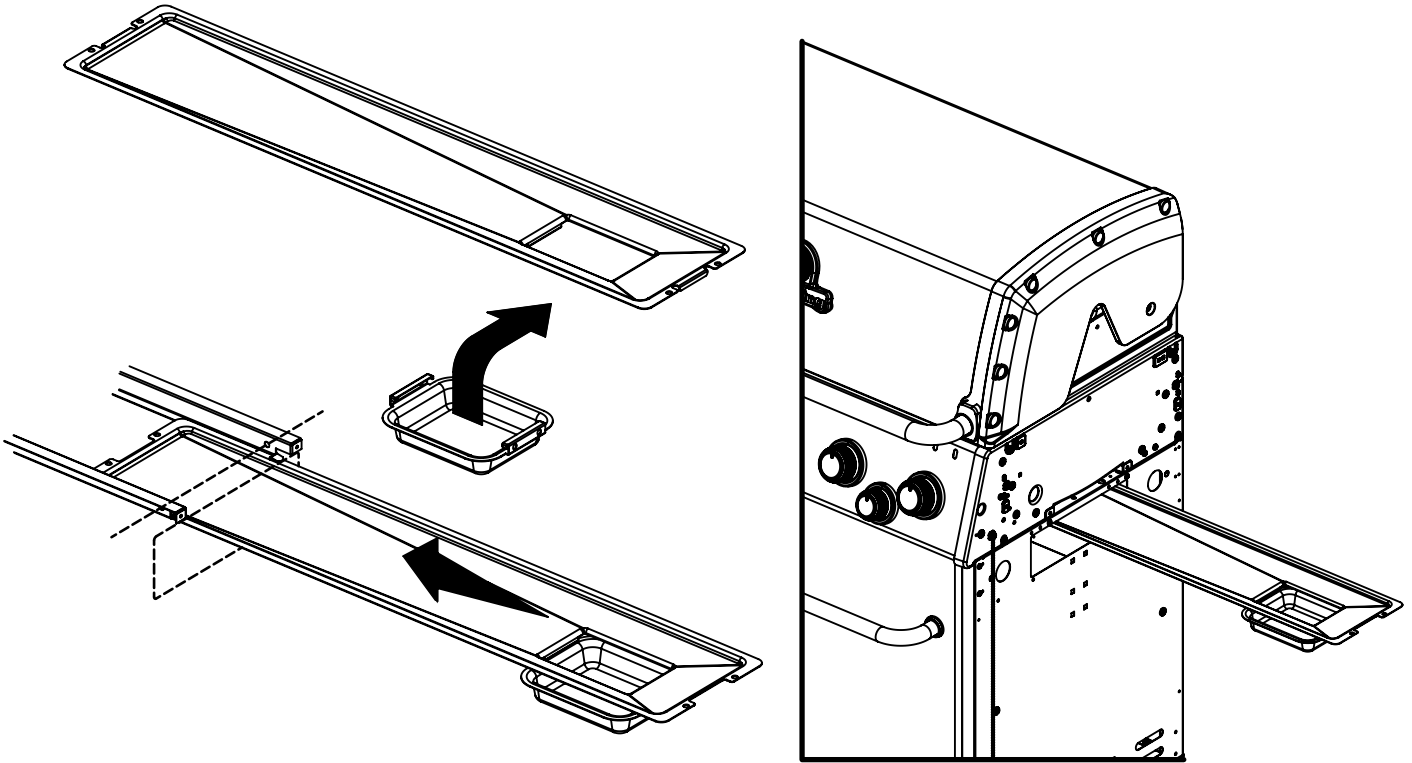
(2)  (2) 



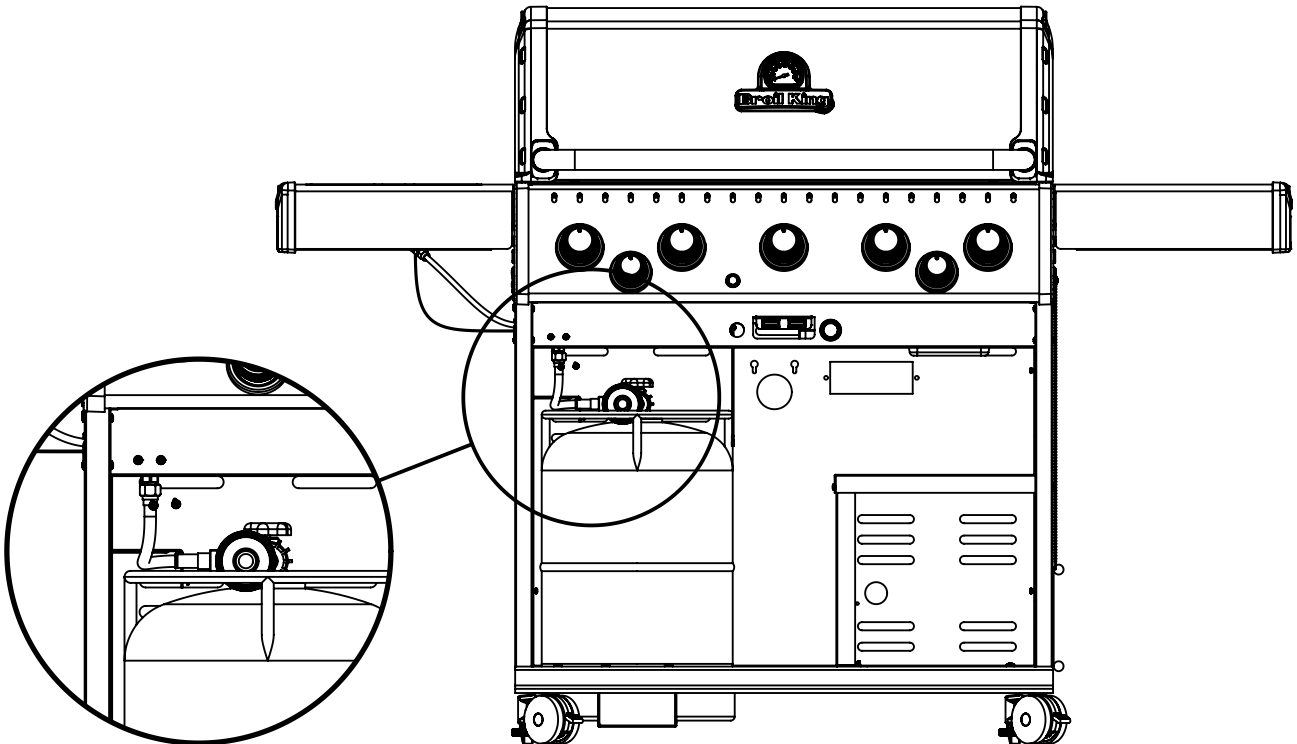
21



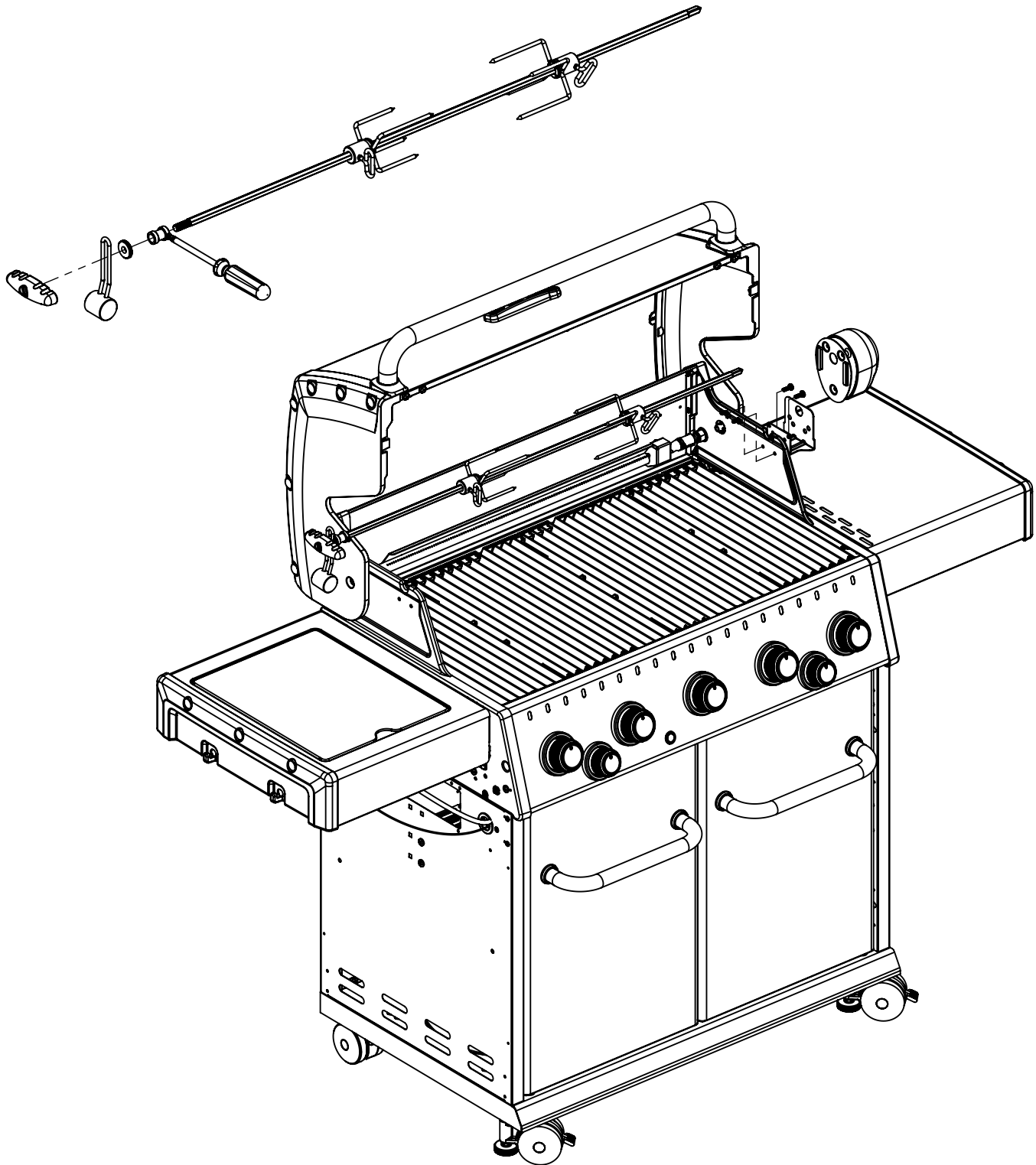
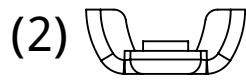
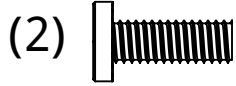
22



23



24



KEY #	ITEM #	DESCRIPTION	9239-82	9239-83	9239-86	9235-82	9235-83	9235-86	KEY #	ITEM #	DESCRIPTION	9239-82	9239-83	9239-86	9235-82	9235-83	9235-86
1	56144-231	LID - SIDE PANEL - LEFT	1	1	1	1	1	1	69	57139-13	U-CHANEL BRACKET	4	4	4	4	4	4
2	56144-211	LID - SIDE PANEL - RIGHT	1	1	1	1	1	1	73	51039-951	CASTER BRACKET	4	4	4	4	4	4
3	56346-211	LID - OUTER PANEL	1	1	1	•	•	•	74	10892-23	CASTER	2	2	2	2	2	2
	56346-214		•	•	•	1	1	1	75	10892-285	CASTER LEVELING	2	2	2	2	2	2
4	56246-21	LID - INNER PANEL	1	1	1	1	1	1	77	25208-201	SHELF	1	1	1	1	1	1
5	24006-12A	HANDLE	1	1	1	1	1	1	78	21036-901	SHELF SUPPORT	1	1	1	1	1	1
6	54009-936	HANDLE BEZEL	2	2	2	2	2	2	80	53104-111	SIDE SHELF	1	1	1	1	1	1
8	10081-BK630	NAMEPLATE	1	1	1	1	1	1	82	53104-151	SIDE SHELF - SIDE BURNER	1	1	1	1	1	1
9	10571-6	HEAT INDICATOR	1	1	1	1	1	1	86	10390-E10D	SIDE BURNER	1	•	•	1	•	•
11	52150-931	PANEL - SIDE UPPER - LEFT	1	1	1	1	1	1		10390-E10E		•	1	•	•	1	•
12	52150-911	PANEL - SIDE UPPER - RIGHT	1	1	1	1	1	1		10390-E10EN		•	•	1	•	•	1
14	52206-111	PANEL INNER - FRONT	1	1	1	1	1	1	87	23000-271	SIDE BURNER - BODY	1	1	1	1	1	1
15	52206-121R	PANEL INNER - REAR	1	1	1	1	1	1	88	23000-254	SIDE BURNER - COVER	1	1	1	1	1	1
16	52139-201	FIREBOX BRACKET	12	12	12	12	12	12	89	53140-981	SIDE BURNER GRID	1	1	1	1	1	1
17	27249-904	GREASE SHEILD	5	5	5	5	5	5	92	10342-T21	SIDE BURNER ELECTRODE	1	1	1	1	1	1
18	52066-91	HEAT SHEILD - FRONT	1	1	1	1	1	1	93	53139-988	PIVOT BRACKET	4	4	4	4	4	4
19	52046-92	HEAT SHEILD - REAR	1	1	1	1	1	1	100	Y-12220	GROMMET	1	1	1	1	1	1
22	52306-121	PANEL - REAR	1	1	1	1	1	1	108	10693-099	REAR BURNER - ORIFICE	1	•	•	1	•	•
23	52316-151	PANEL - HOOD	1	1	1	1	1	1		10693-104		•	1	•	•	1	•
25	52909-104D	BURNER - MAIN	5	•	•	5	•	•		10693-161		•	•	1	•	•	1
	52909-104E		•	5	•	•	5	•	110	S15271	HANDLE	1	1	1	1	1	1
	52909-104NGE		•	•	5	•	•	5	111	S15270	BALANCE	1	1	1	1	1	1
26	22226-014	COLLECTOR BOX - FRONT LOWER	1	1	1	1	1	1	112	S15299	WASHER	1	1	1	1	1	1
27	22216-014	COLLECTOR BOX - FRONT UPPER	1	1	1	1	1	1	113	S15263	BUSHING	1	1	1	1	1	1
28	52026-304BAR	CONTROL COVER	1	1	1	1	1	1	114	S15259	ROTISSERIE ROD	1	1	1	1	1	1
29	59006-072	CONTROL ASSEMBLY	1	•	•	1	•	•	115	S15287	4 PRONG FORK	2	2	2	2	2	2
	59006-075		•	1	1	•	1	1	116	57039-901	ROTISSERIE BRACKET	1	1	1	1	1	1
30	S13473-073	HOSE - SIDE BURNER	1	•	•	1	•	•	130	Y-12835	SCREW - #6 X 1/4	2	2	2	2	2	2
	S13473-079		•	1	•	•	1	•	131	S21125	SCREW - #8 X 3/8	24	24	24	24	24	24
	S13473-118		•	•	1	•	•	1	132	S21124	SCREW - #8 X 1/2	27	27	27	27	27	27
32	10111-15A	HOSE	1	1	1	1	1	1	133	S21136	SCREW #8-32 X 1/2	14	14	14	14	14	14
33	27906-354E	REAR BURNER	1	1	1	1	1	1	134	Y-29304	SCREW - #10-24 X 3/8	16	16	16	16	16	16
34	S15509A	REAR BURNER - ELECTRODE	1	1	1	1	1	1	135	S35094	SCREW - #10-24 X 5/8	1	1	1	1	1	1
35	50809-957	REAR BURNER - MANIFOLD	1	1	1	1	1	1	136	Y-29310	SCREW - #10-24 X 3/4	4	4	4	4	4	4
36	Y-11990	NUT HEX	1	1	1	1	1	1	137	Y-12865	SCREW - 1/4-20 X 1/2	64	64	64	64	64	64
36	27906-354E	REAR BURNER	1	1	1	1	1	1	140	Y-12310	SCREW - 1/4-20 X 3/4	12	12	12	12	12	12
38	22002-264	CONTROL BEZEL	5	5	5	5	5	5	141	Y-12860	SCREW - 1/4-20 X 1	2	2	2	2	2	2
39	22001-114	CONTROL BEZEL	2	2	2	2	2	2	142	Y-11562	SCREW - 1/4-20 X 2 1/2	4	4	4	4	4	4
40	22001-768	CONTROL KNOB	5	5	5	5	5	5	145	Y-11546	SCREW - SHOULDER - 1/4-20 X 5/8	4	4	4	4	4	4
41	22001-668	CONTROL KNOB	2	2	2	2	2	2	150	Y-29307	NUT - #10-24	2	2	2	2	2	2
42	10342-45	ELECTRONIC IGNITOR	1	1	1	1	1	1	151	Y-11793	NUT - 1/4-20	30	30	30	30	30	30
42b	25070-93	IGNITOR BUTTON	1	1	1	1	1	1	154	S21061	WING NUT- #10-24	2	2	2	2	2	2
42c	25070-92	ELECTRODE-BUTTON	1	1	1	1	1	1	160	S21257	WASHER - 5/16	4	4	4	4	4	4
43a	10342-E13	ELECTRODE	2	2	2	2	2	2	161	Y-12870	WASHER - #10	5	5	5	5	5	5
43b	10342-E22	ELECTRODE	1	1	1	1	1	1	162	S21252	WASHER - M4	6	6	6	6	6	6
44	52209-404	FLAV-R-WAVE ®	5	5	5	5	5	5	163	Y-12641	SCREW - SHOULDER #8-32 X 1/2	2	2	2	2	2	2
45a	52005-281	CAST GRID	5	5	5	5	5	5	164	S35095	SCREW - #10-24 X 5/8	2	2	2	2	2	2
45b	52006-281	CAST GRID	•	•	•	•	•	•	170	S21235	HINGE PIN	2	2	2	2	2	2
46	52006-991	GRID - WARMING RACK	1	1	1	1	1	1	171	S21233	CLIP	2	2	2	2	2	2
47	25056-901	GREASE TRAY	1	1	1	1	1	1	172	Y-11544	BURNER SCREW	5	5	5	5	5	5
48	21036-991	GREASE TRAY - RAIL	2	2	2	2	2	2	173	10240-19	DOOR HINGE PIN - TOP	2	2	2	2	2	2
49	52009-901	GREASE PAN	1	1	1	1	1	1	174	10240-20	DOOR HINGE PIN - BOTTOM	2	2	2	2	2	2
50	51176-231A	DOOR -LEFT	1	1	1	•	•	•	175	Y-12127	DOOR CLIP	2	2	2	2	2	2
	51176-234A		•	•	•	1	1	1	176	Y-12124	DOOR HINGE COVER	2	2	2	2	2	2
51	51176-211A	DOOR - RIGHT	1	1	1	•	•	•	177	Y-12222	MAGNET	2	2	2	2	2	2
	51176-234A		•	•	•	1	1	1	178	Y-12223	MAGNET - SNAP IN	2	2	2	2	2	2
55	21071-13	DOOR HANDLE	2	2	2	2	2	2	179	Y-11981	CHROME SCREW 1/4-20	18	18	18	18	18	18
56	21070-13	HANDLE BEZEL	4	4	4	4	4	4	180	SP11-25	LID BUMPER	2	2	2	2	2	2
60	21109-905	CABINET - SIDE PANEL	2	2	2	2	2	2	181	Y-11231	LID BUMPER - ROUND	2	2	2	2	2	2
61	21306-925	CABINET - REAR PANEL	1	1	1	1	1	1	182	20005-000	MATCH LIGHT CHAIN	1	1	1	1	1	1
65	51616-235	CABINET - LOWER BASE	1	1	1	1	1	1	184	S21362	SPRING	1	1	1	1	1	1
66	21039-301	TANK BRACKET	1	1	1	1	1	1	185	S15242	MOTOR	1	1	1	1	1	1
67	51336-211	MAGNET BRACKET	1	1	1	1	1	1	186	S21242	CLIP	5	5	5	5	5	5

