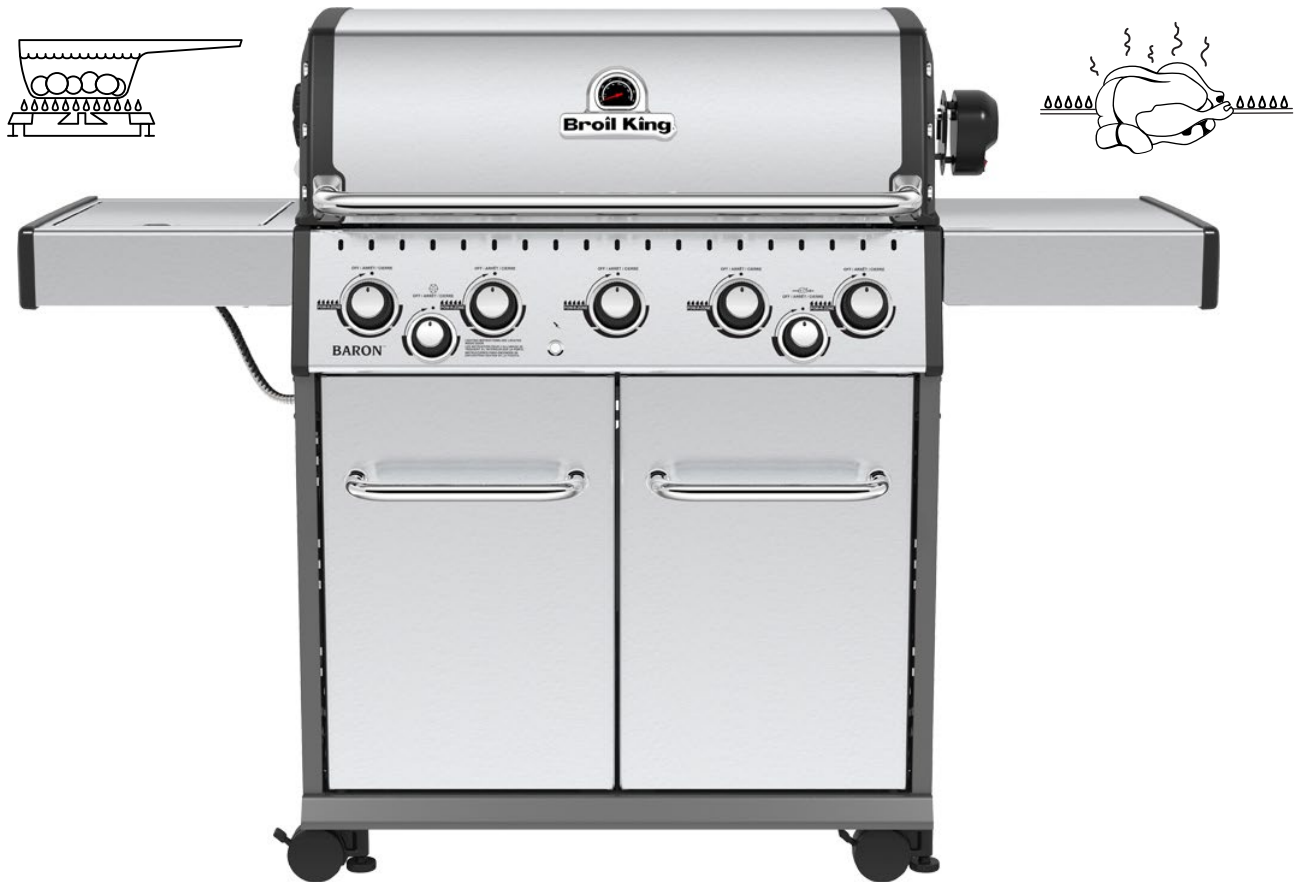


# Broil King®

---

---



**BARON S590 IR**  
**923182**  
**923183**

---

---

*Onward*  
**MANUFACTURING COMPANY**  
585 KUMPF DRIVE LIMITED  
WATERLOO, ONTARIO, CANADA

50084-S59EU Rev A 01/20



POEJÖY OEÜÒÁÐ ÔŠWÖÖÁ



YËGÌ Í		øF	YËGHF€		øÁ	ÛGFGÍ		øì
YËGJHEI		øí	ÛFGHÍ		øG	ÛFGHH		øG
YËGÌ Í		øl	YËFÍ Í F		øG	YËGFG		øG
ÛHÍ €J		øF	G€€€Í €€€€		øF			
YËFÍ JH		øl	ÛHÍ €J		øG	ÛGF€Í F		øG

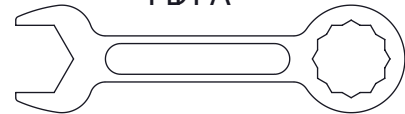
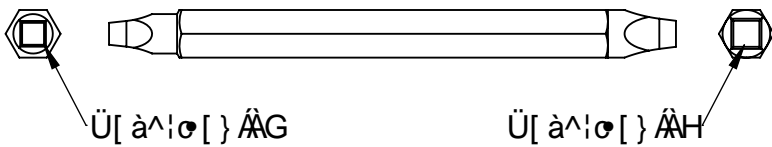


VUUŠUÁÛÒÚWÖÖÁ

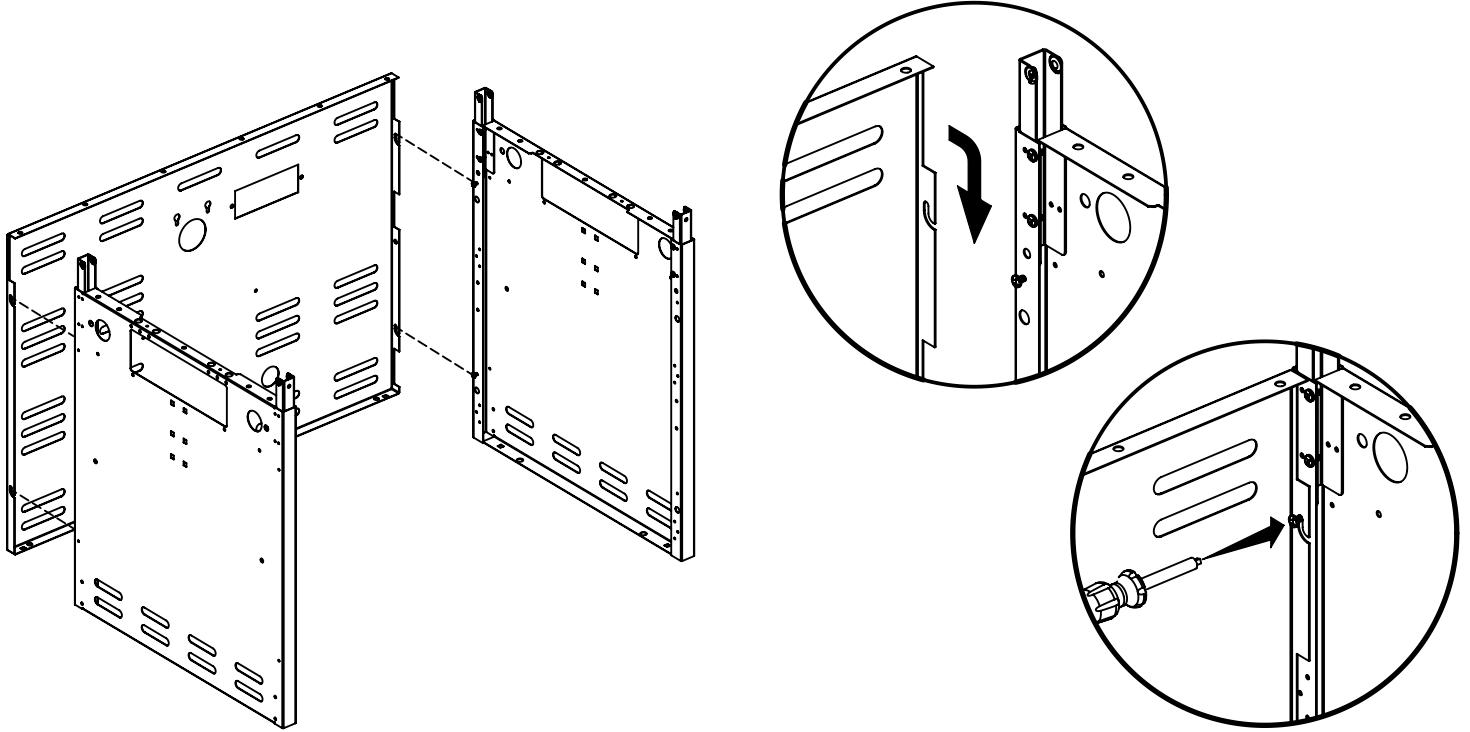


YËFGGH

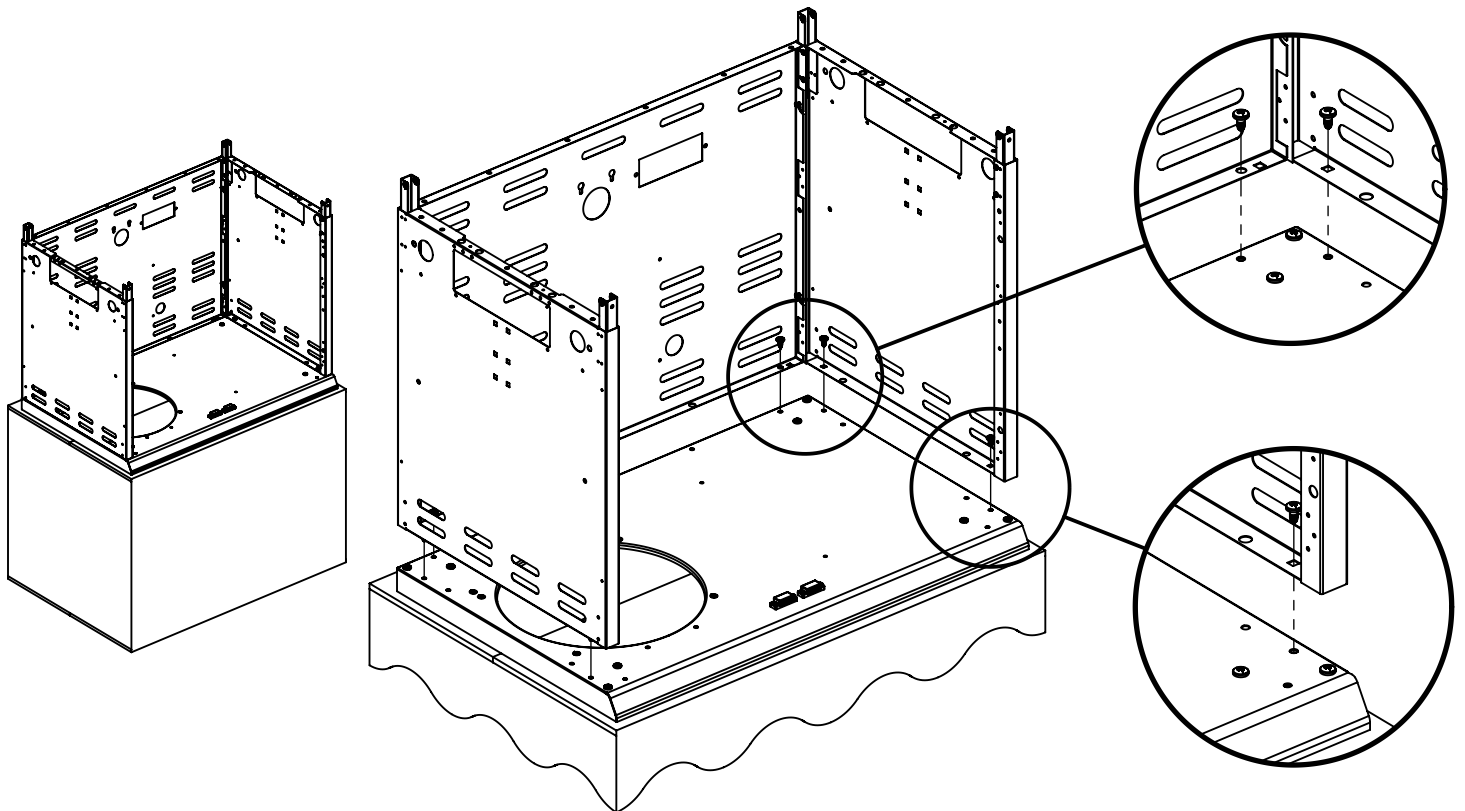
Ï ÆÍ Ä

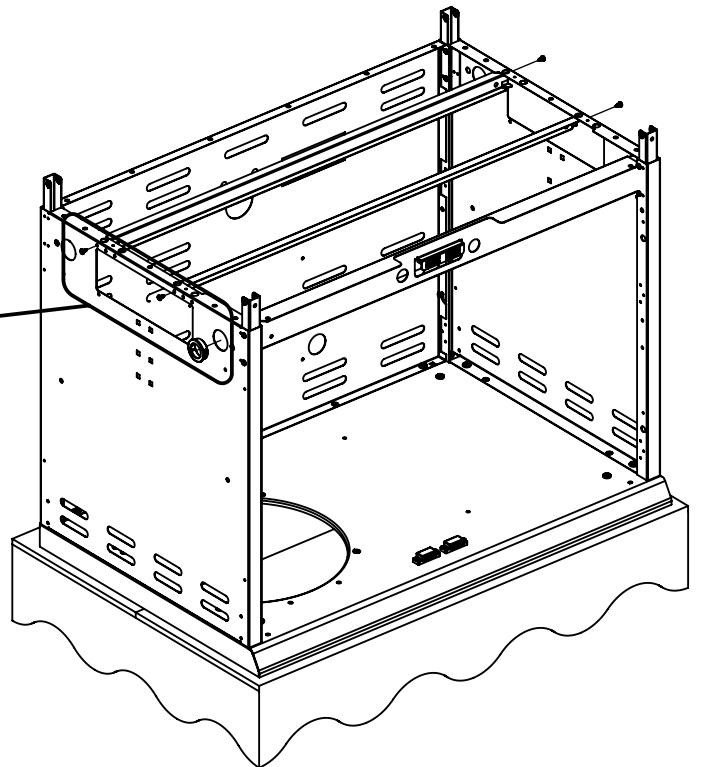
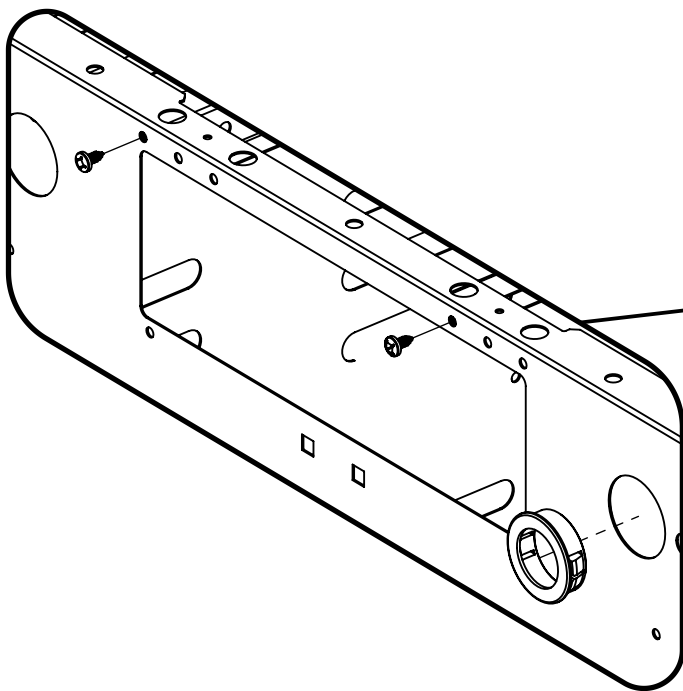
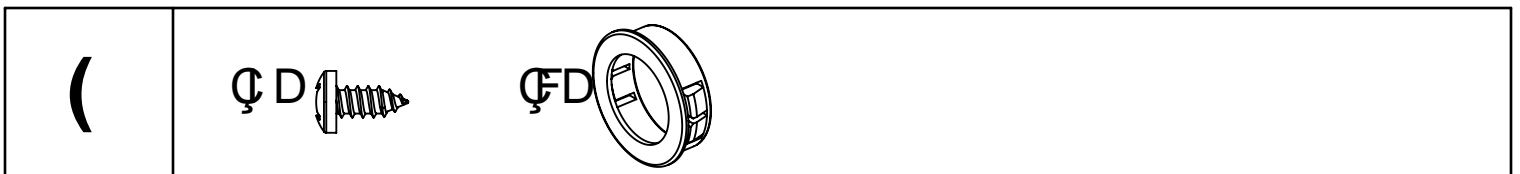
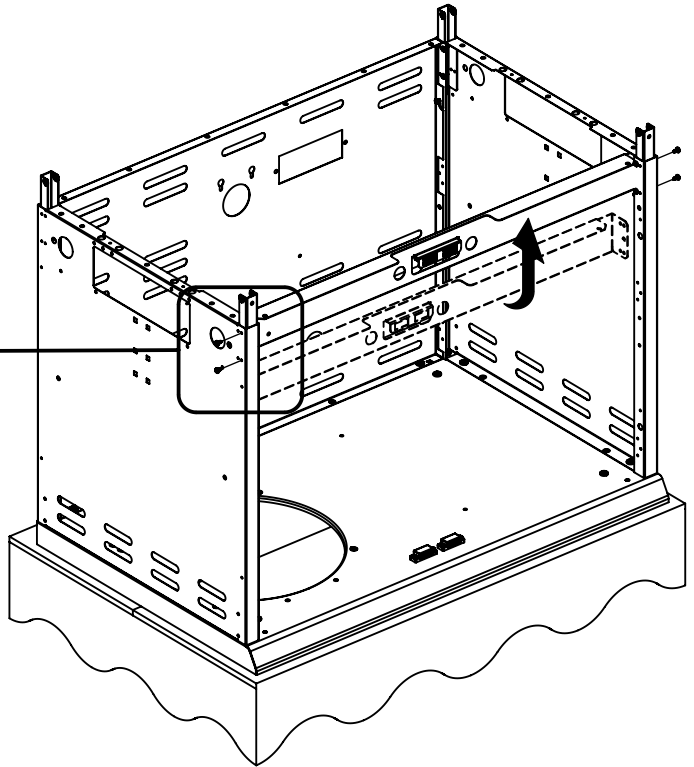
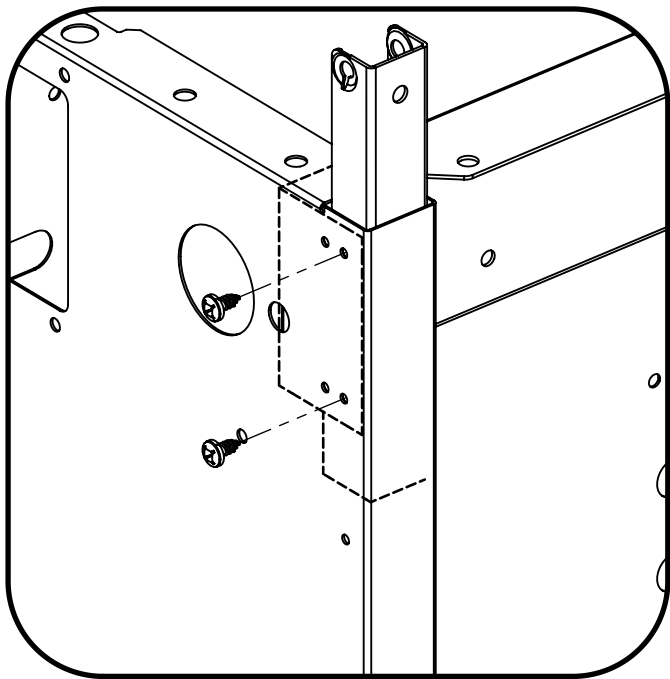
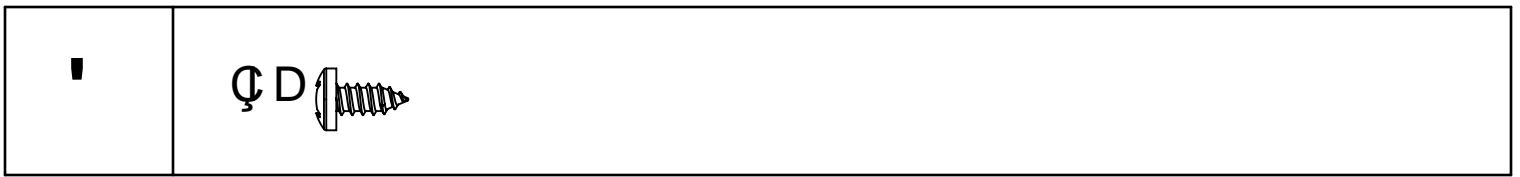


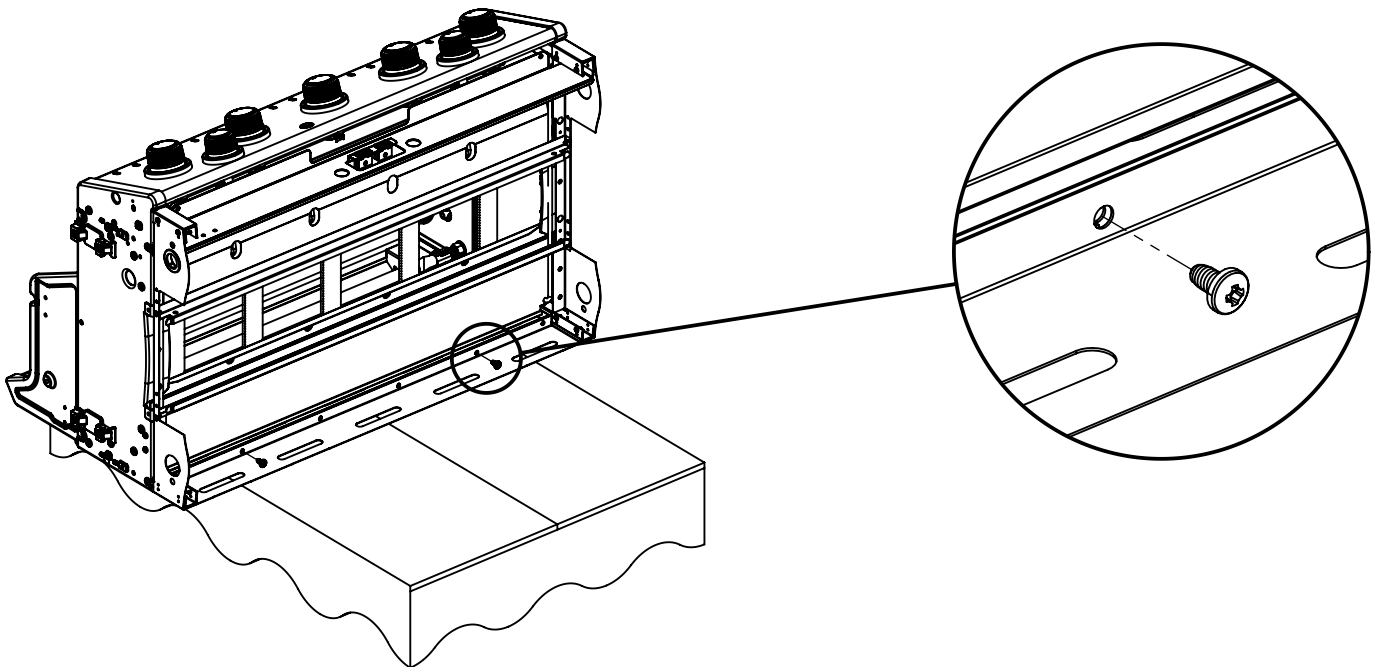
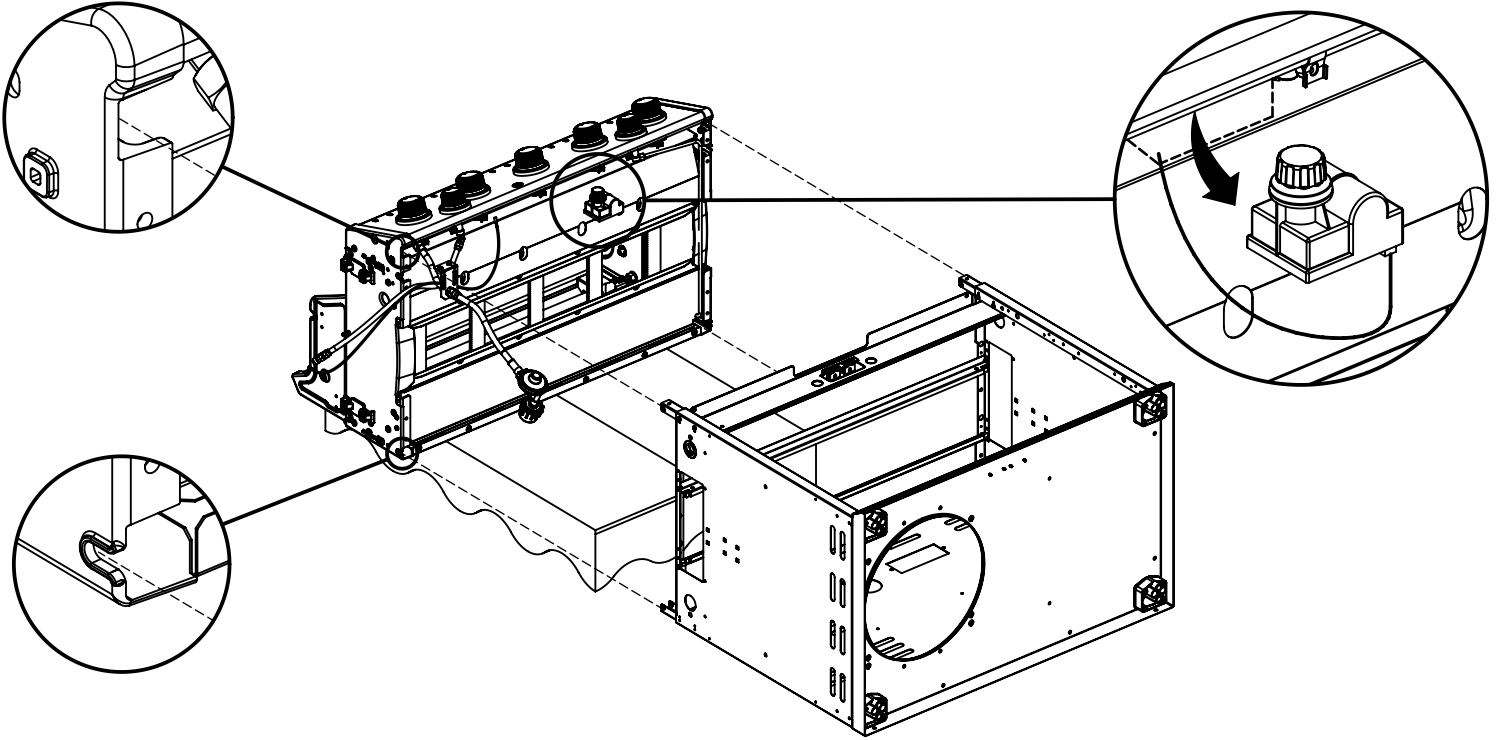
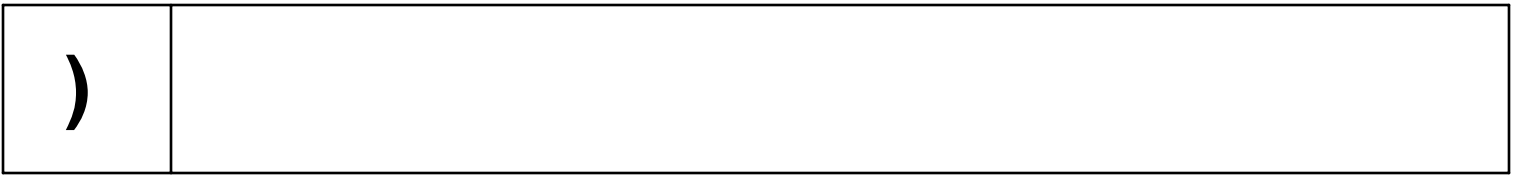
%



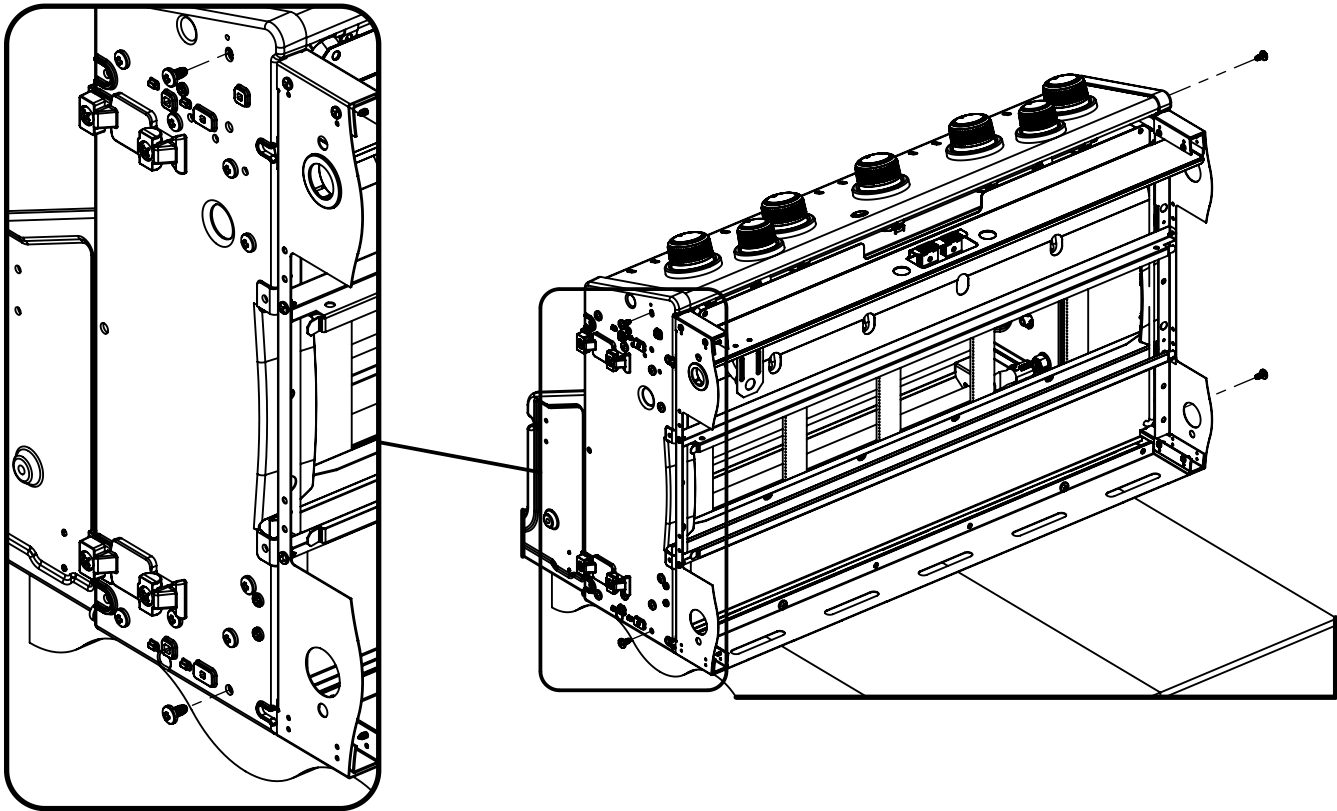
&  $\hat{C}D$  



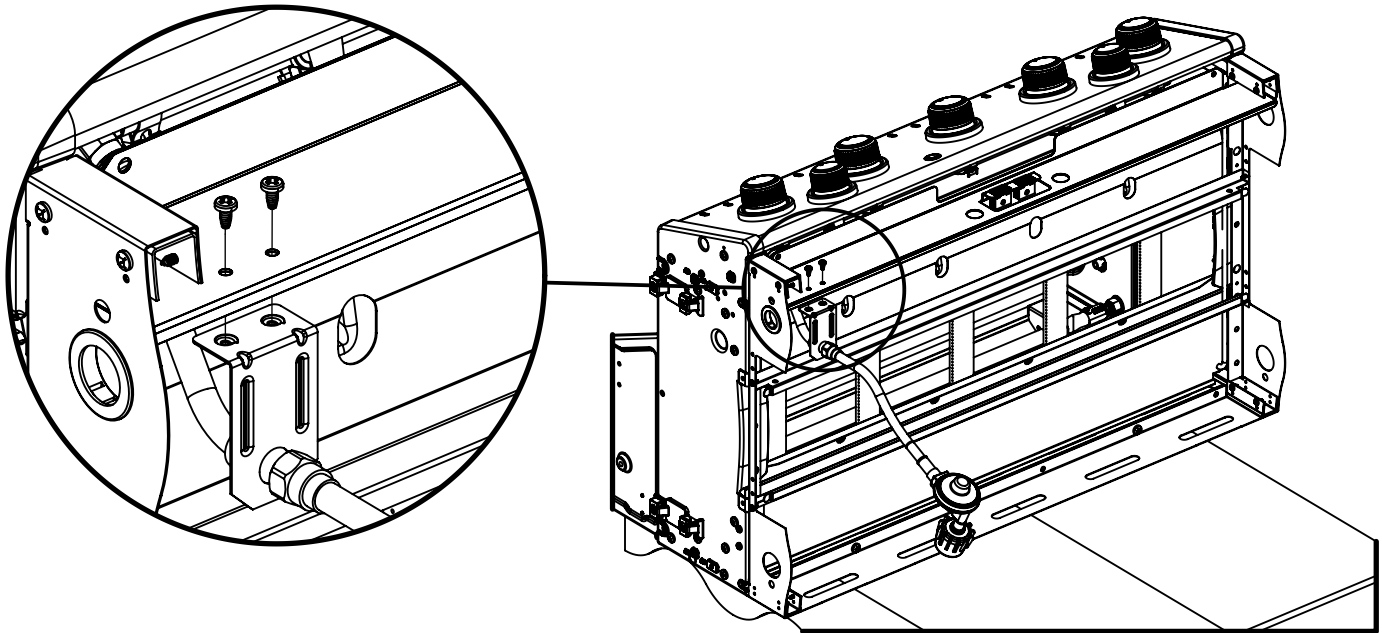


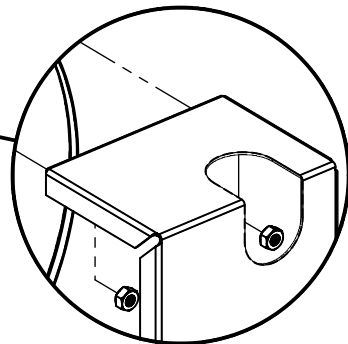
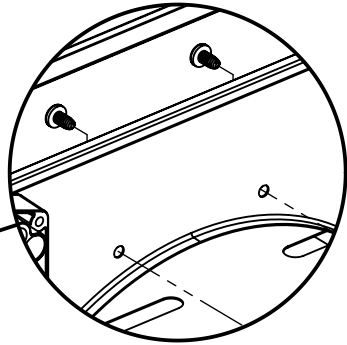
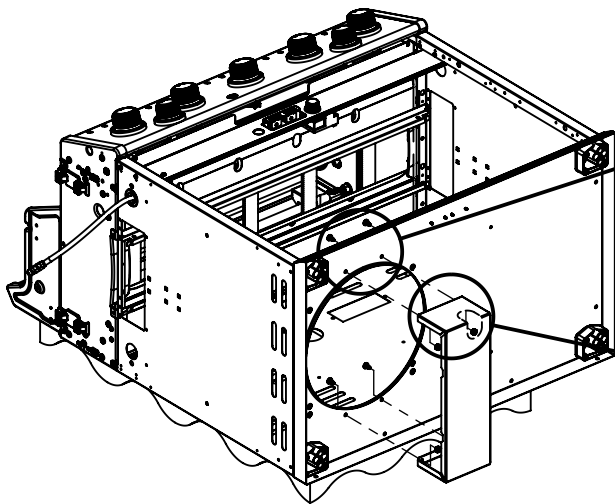
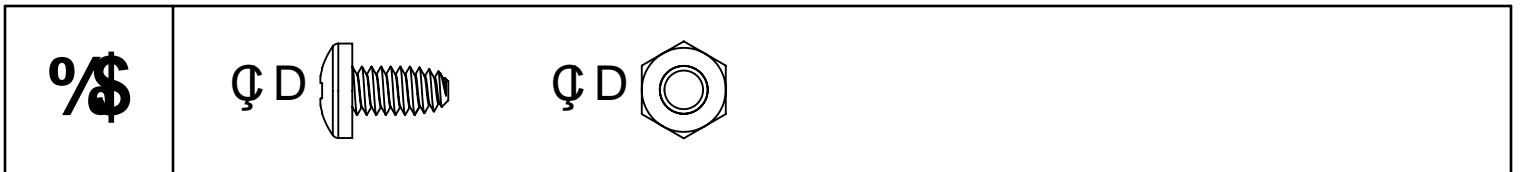
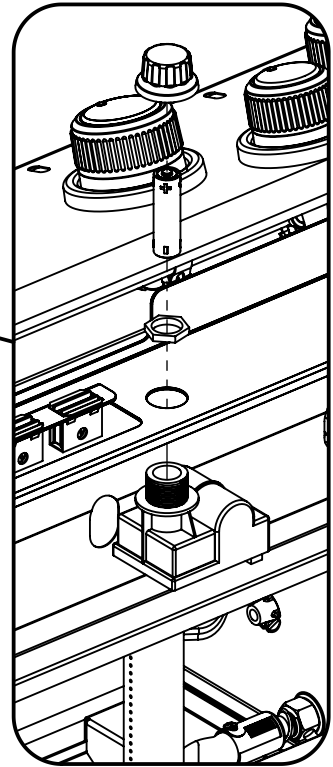
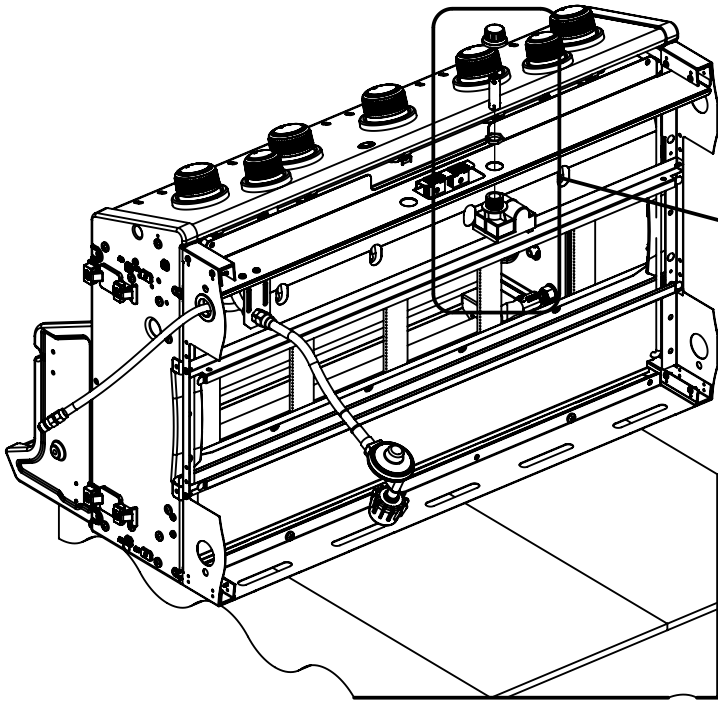
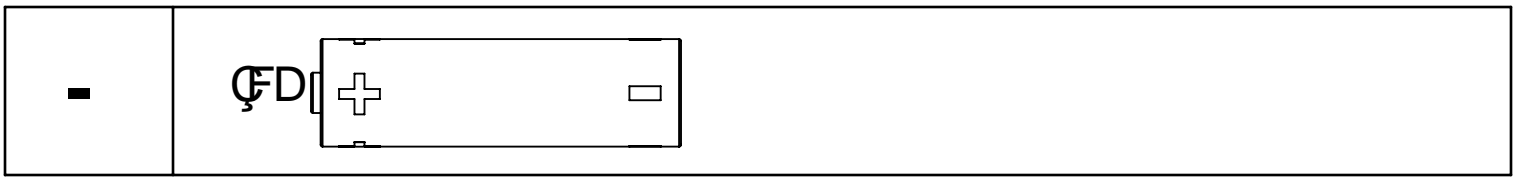


+	Ç D 
---	--

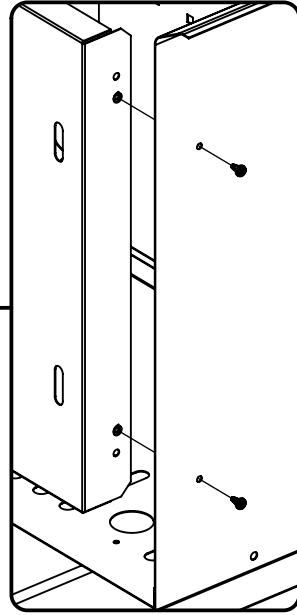
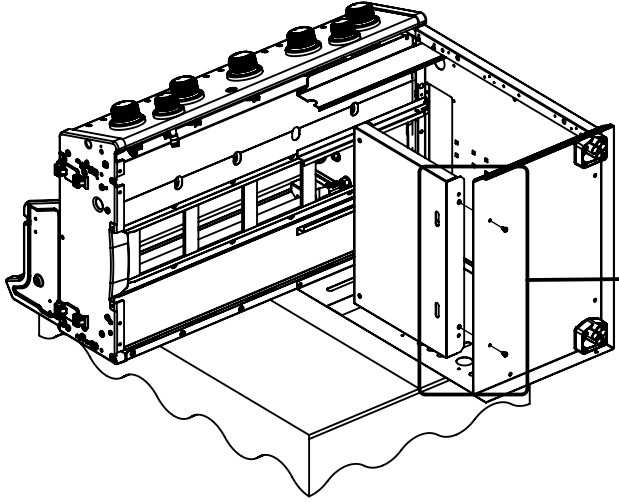
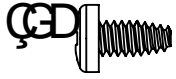


,	Ç D 
---	---

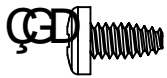




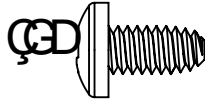
0/0



0/0

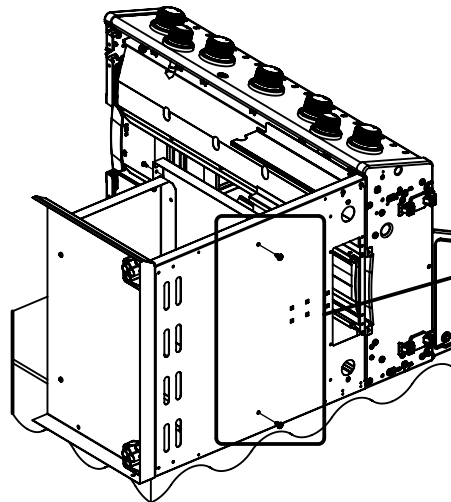
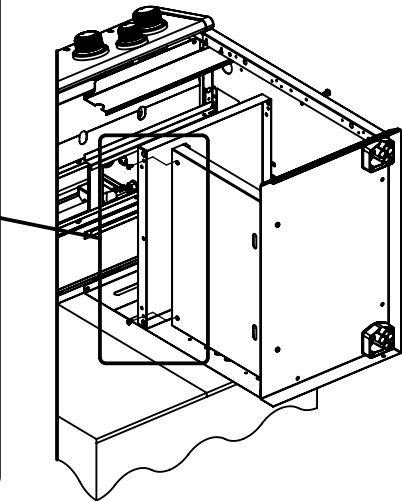
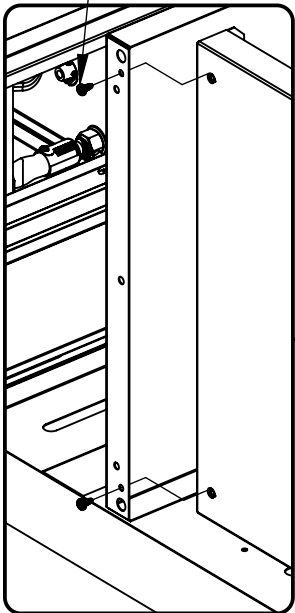


CE

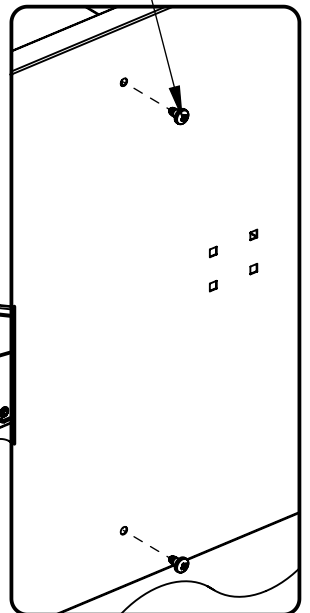


O

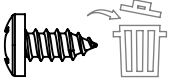
CE

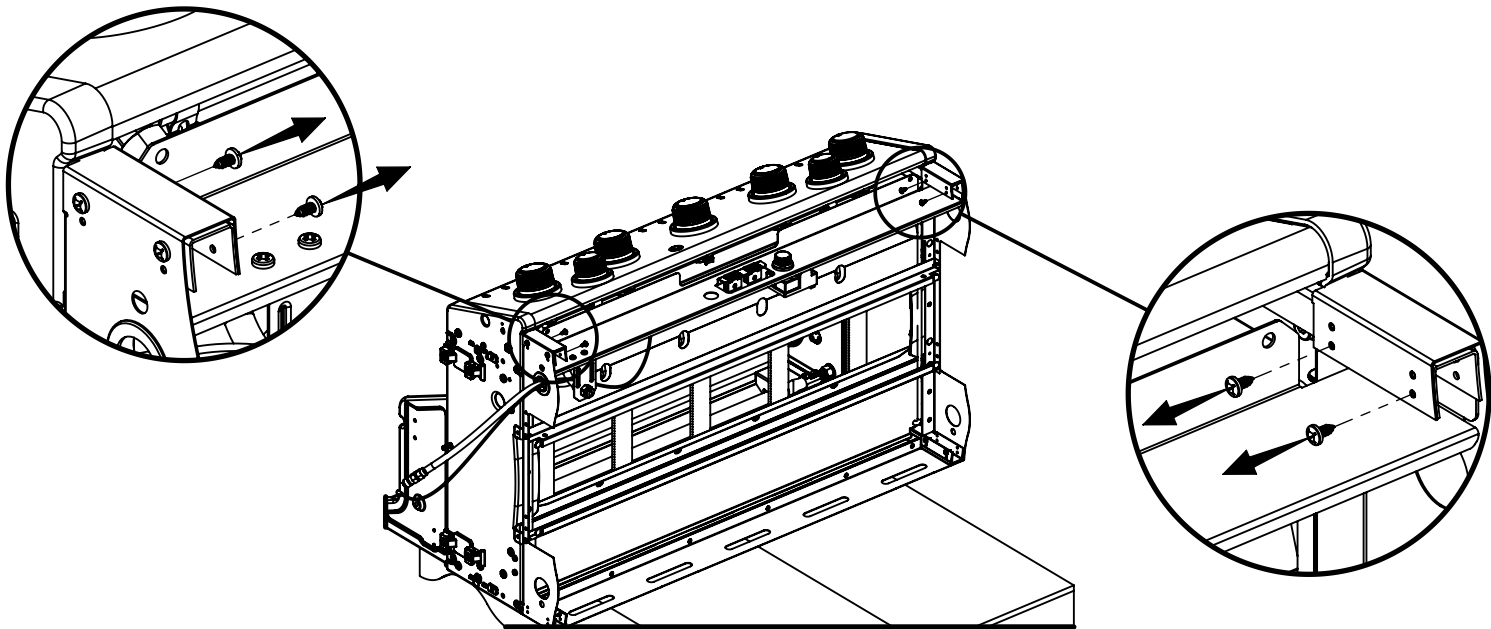


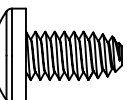
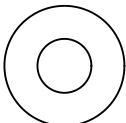
O

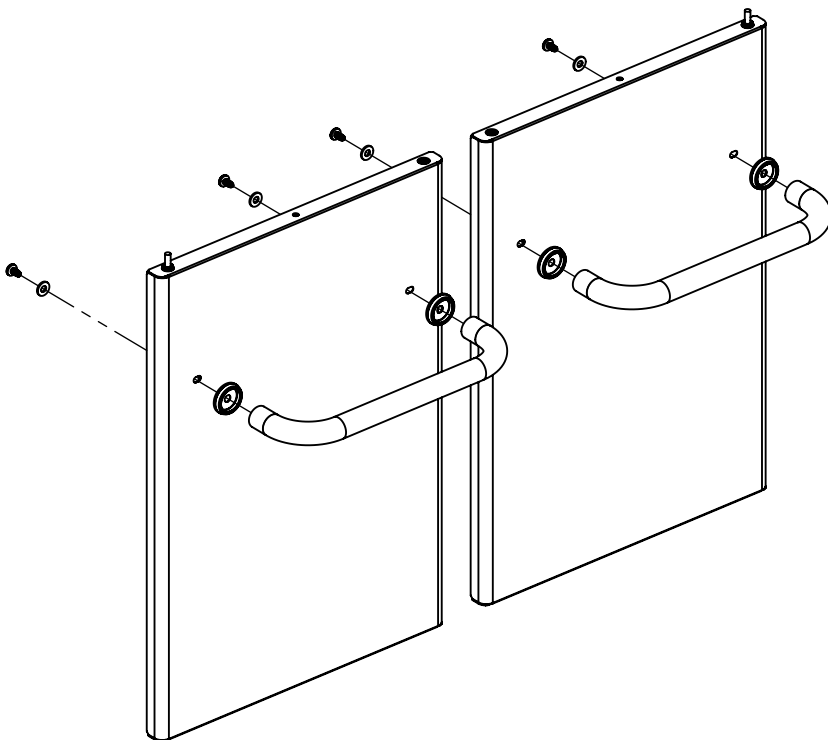


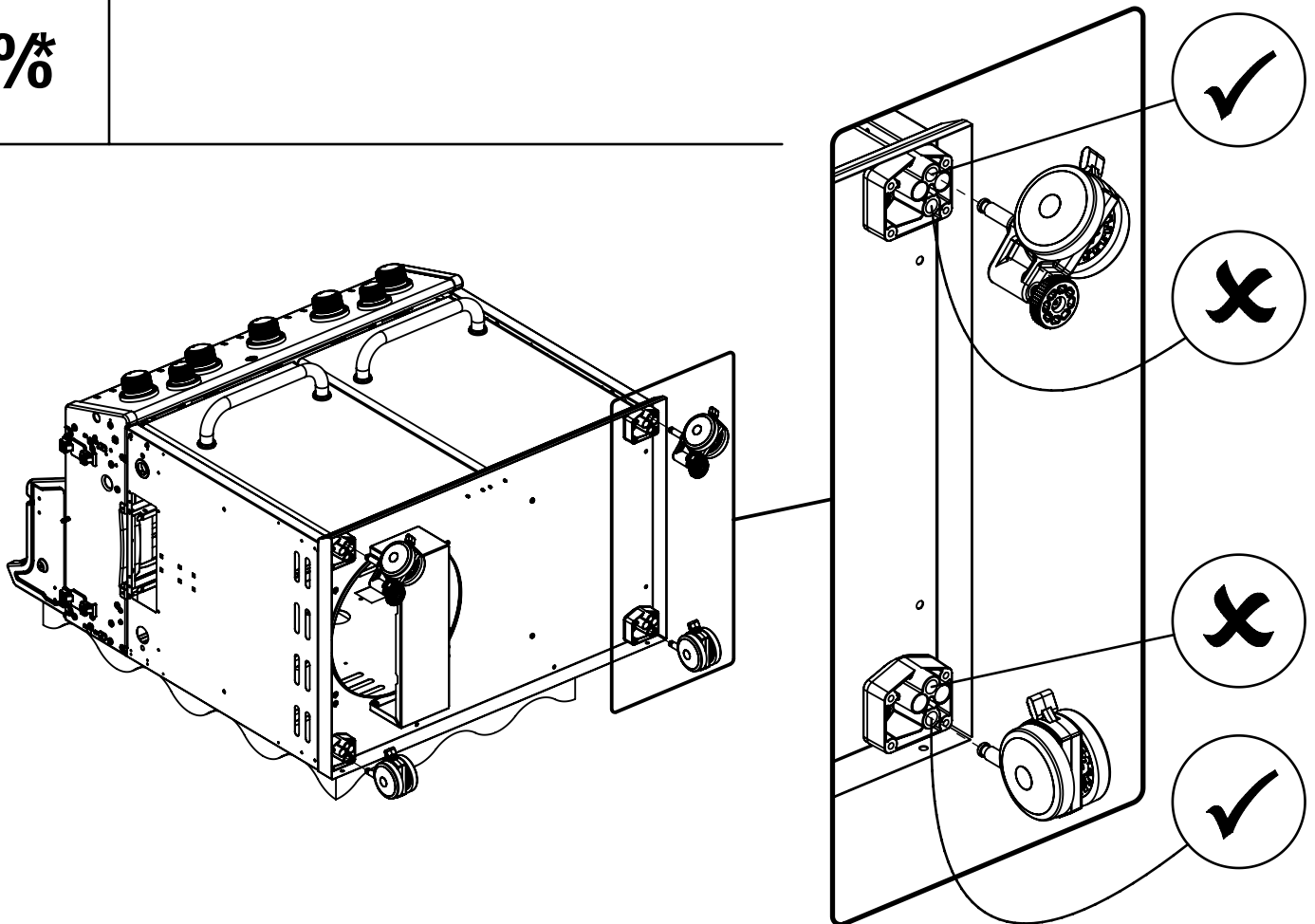
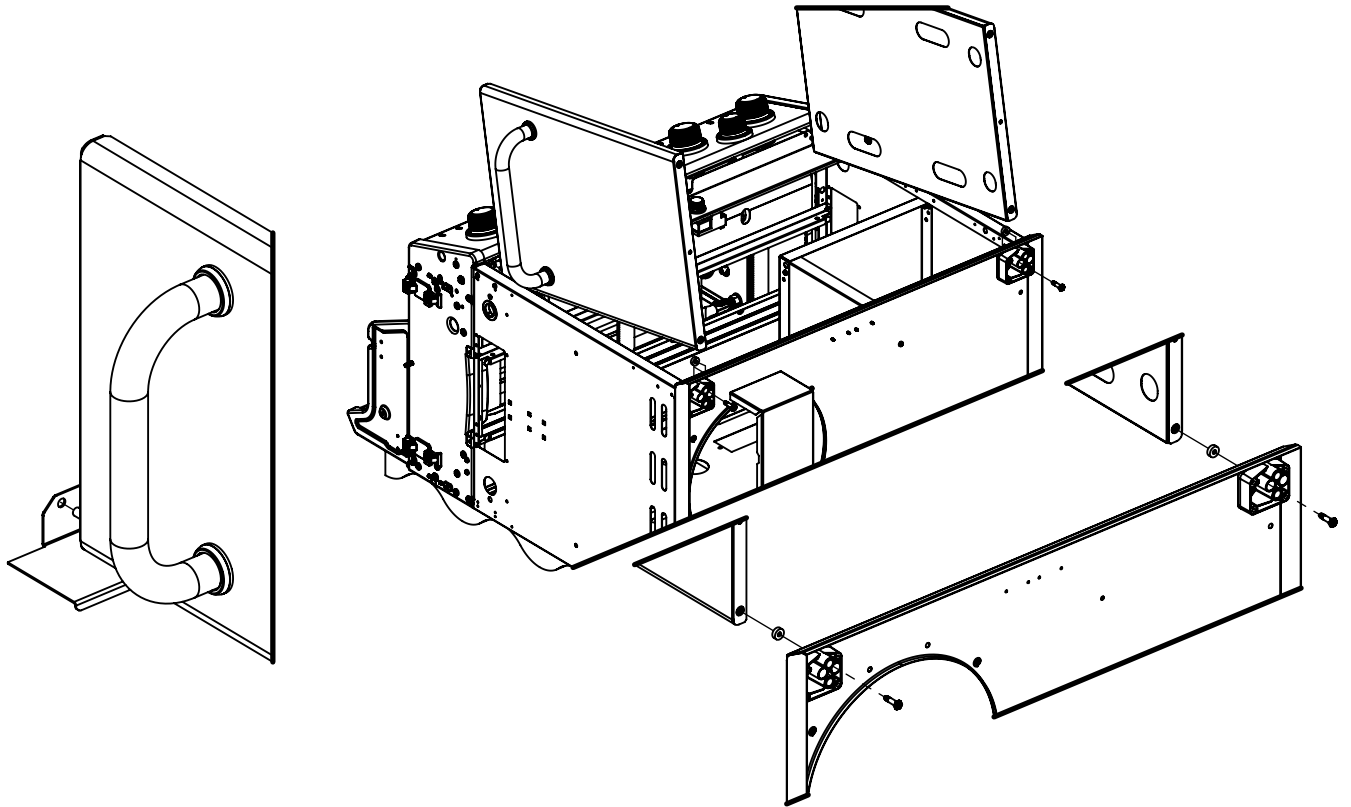
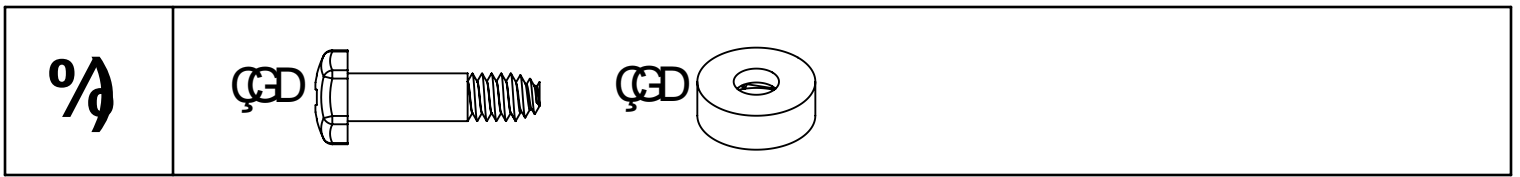


%	$\varnothing D$ 
---	---

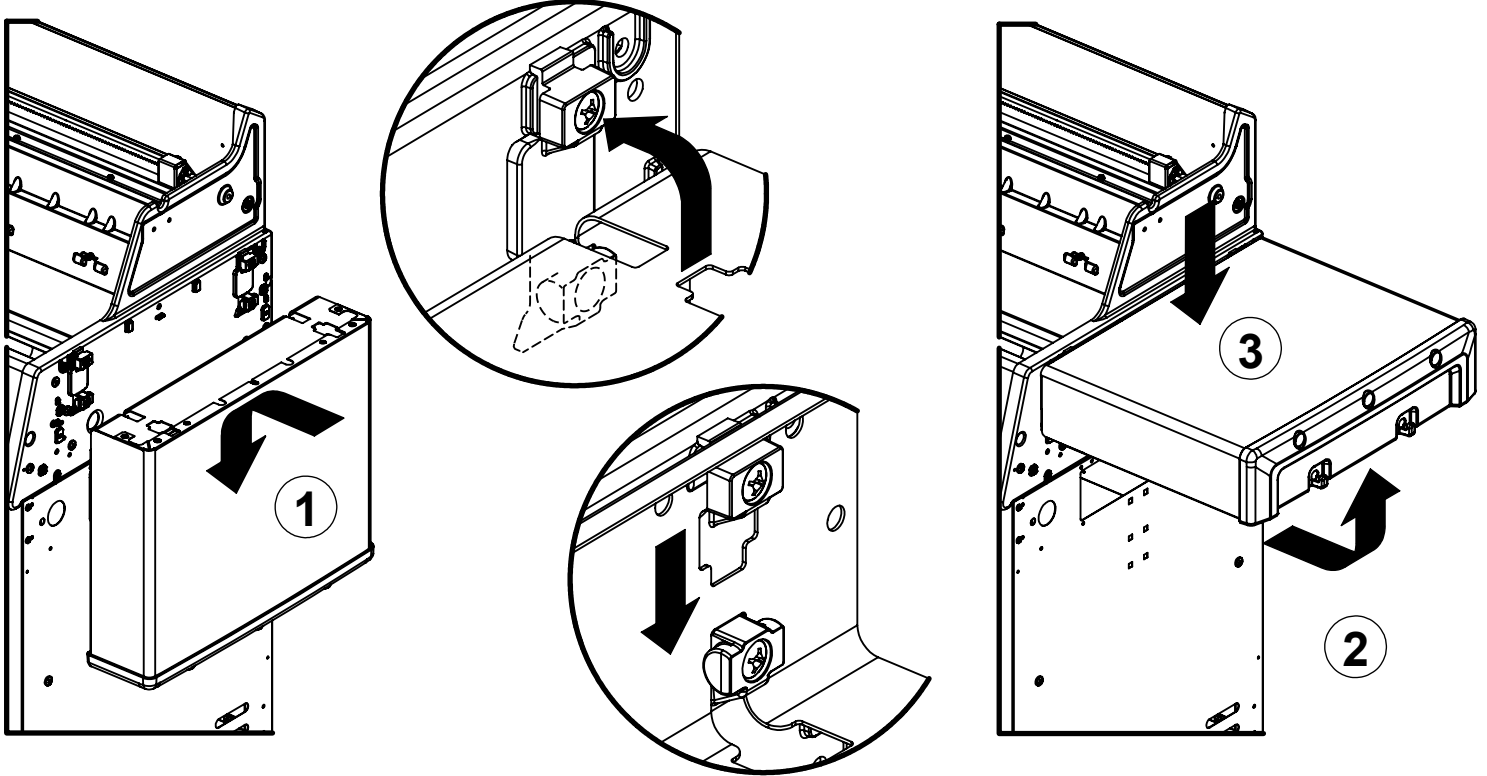


%	$\varnothing D$ 	$\varnothing D$ 
---	---	---

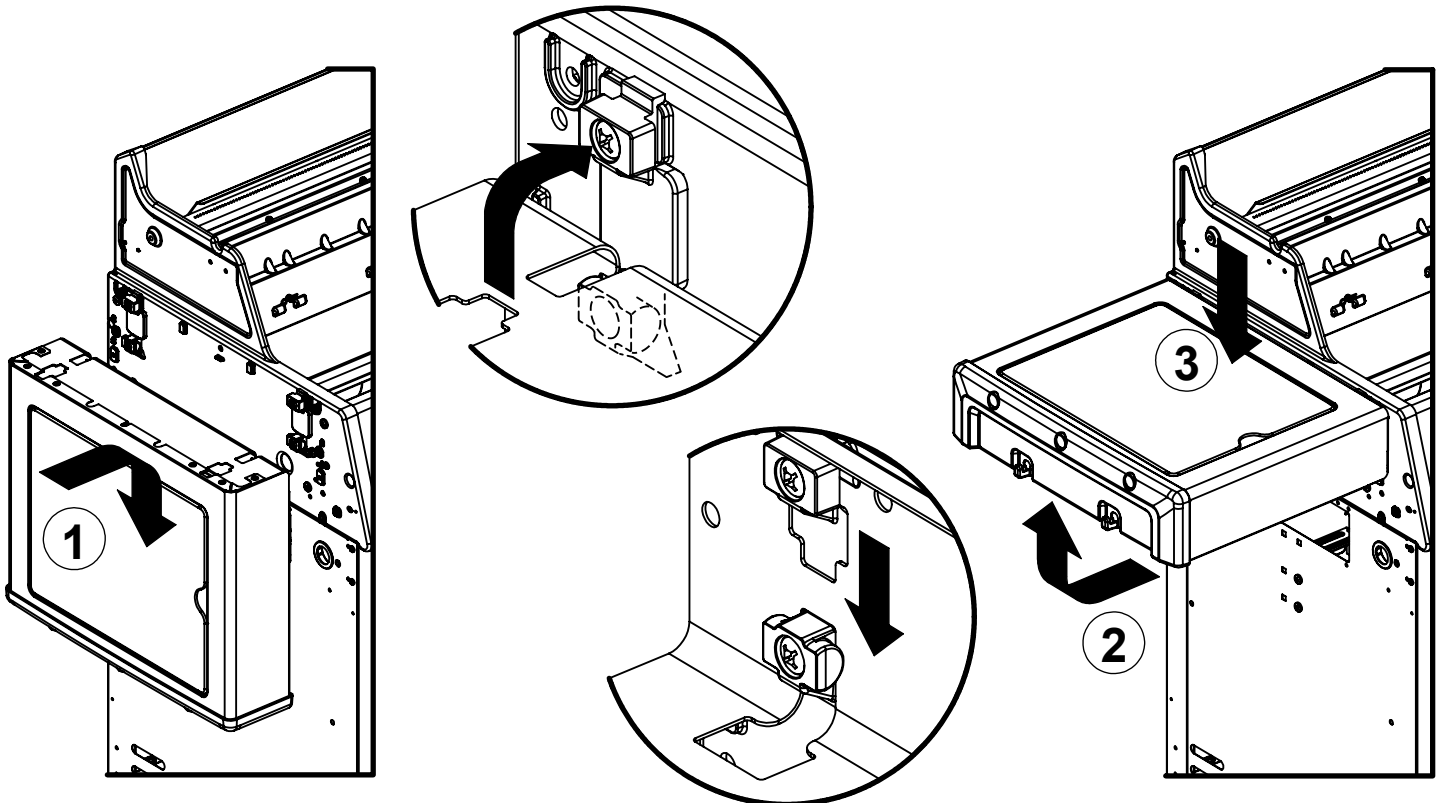




17

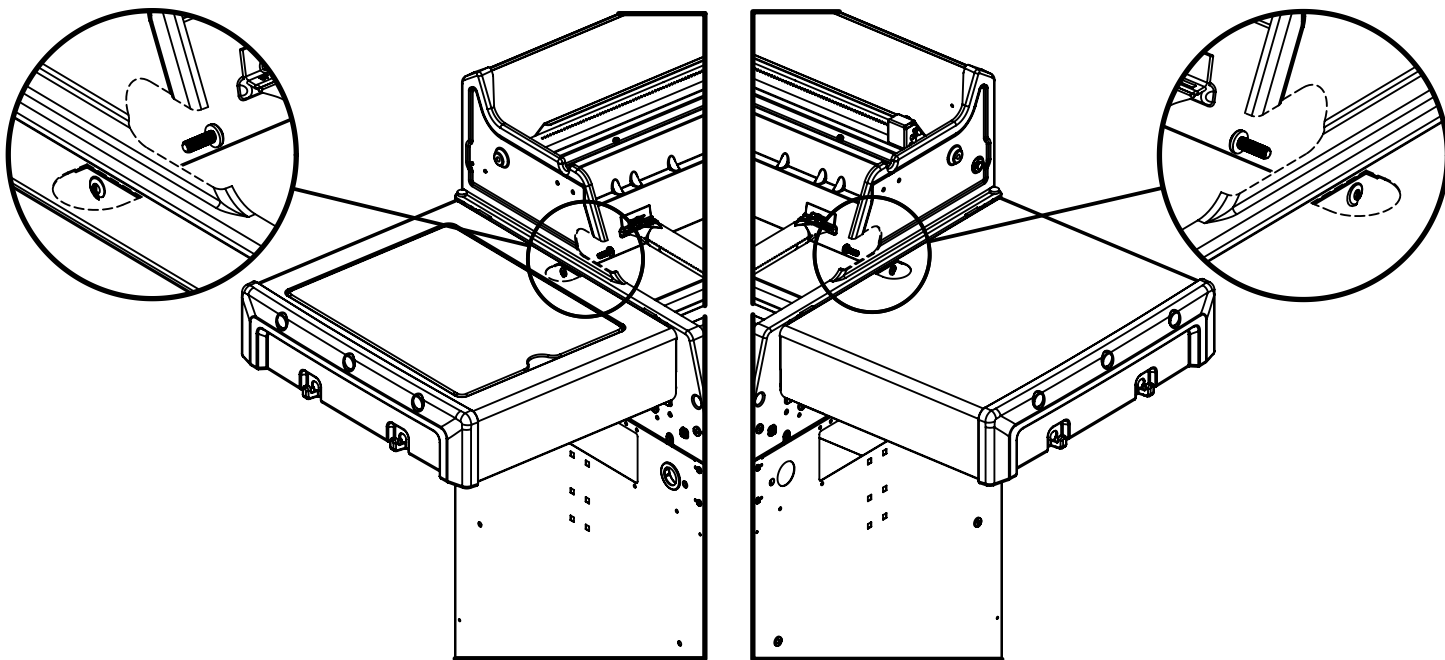
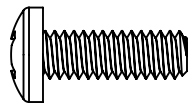


18

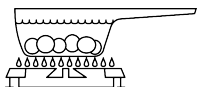


19

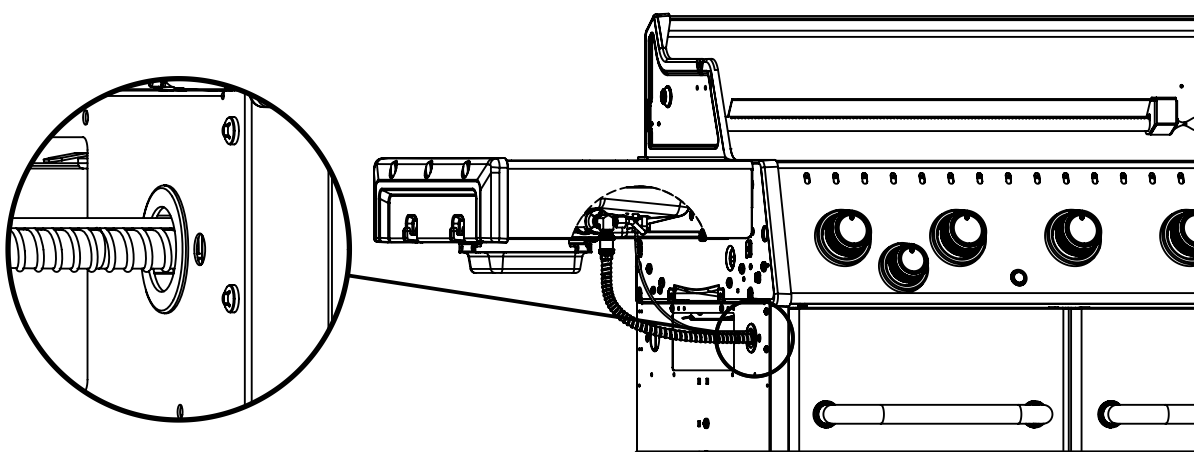
(2)



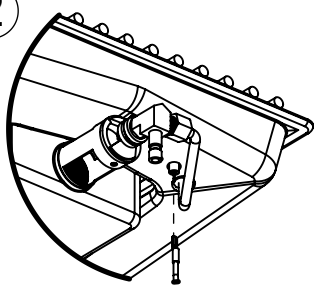
20



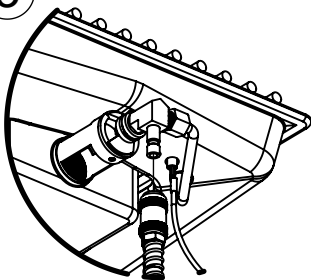
①



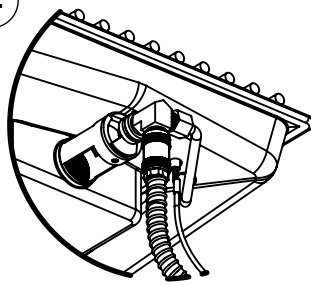
②



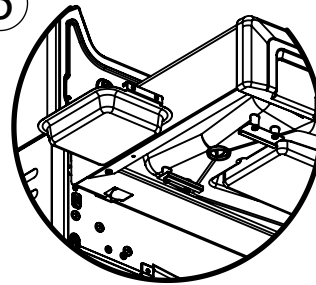
③



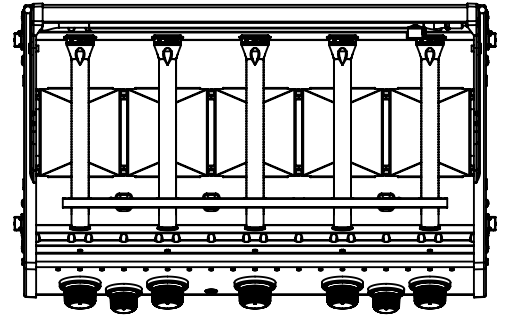
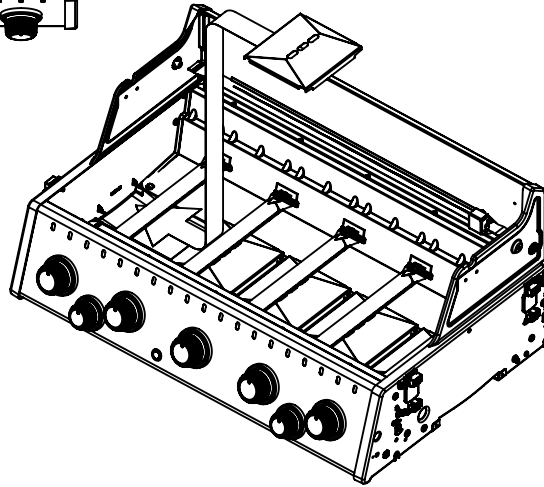
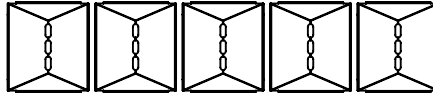
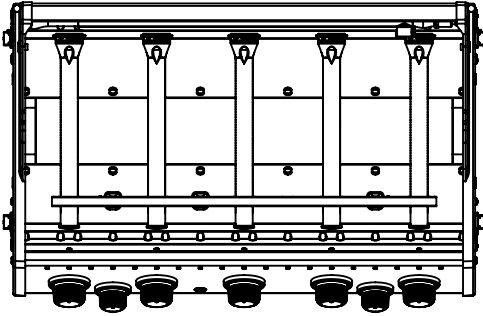
④



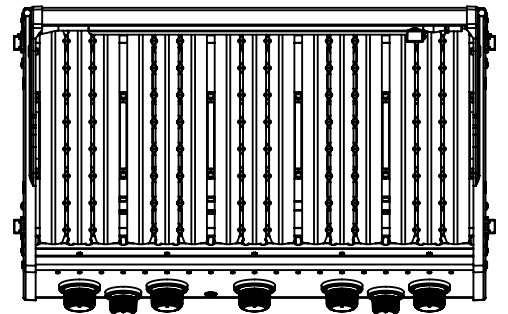
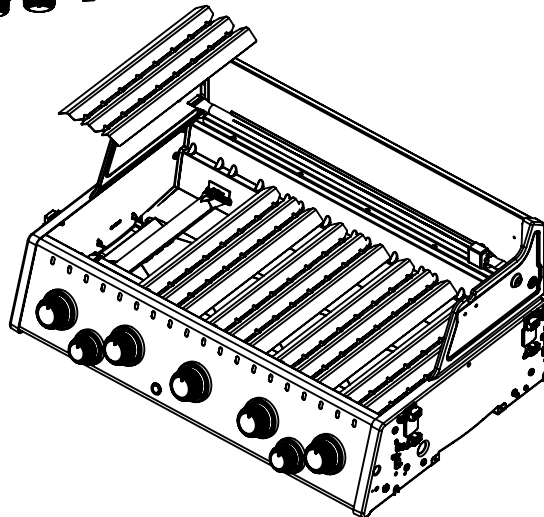
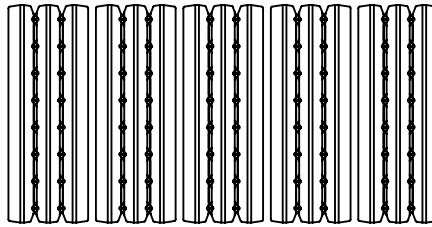
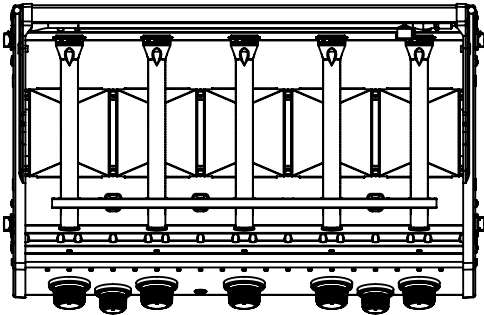
⑤



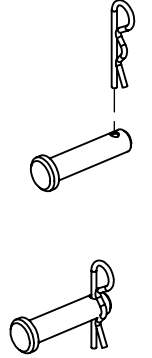
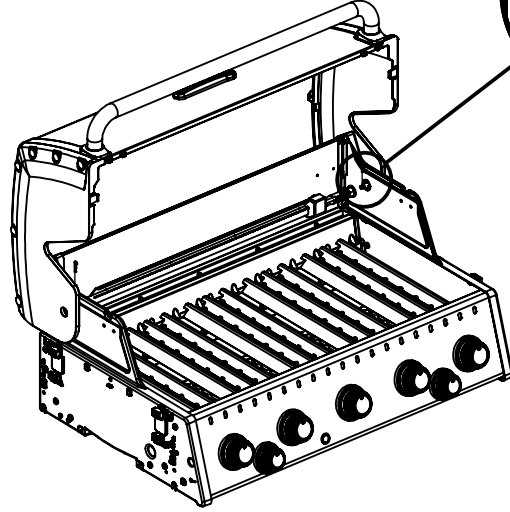
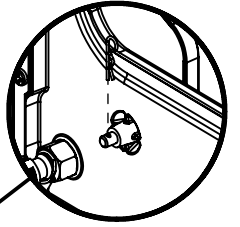
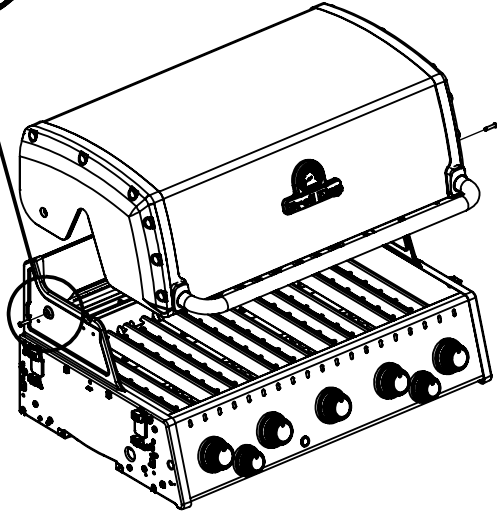
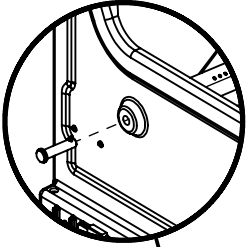
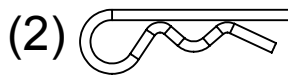
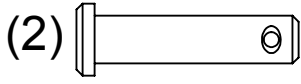
&%



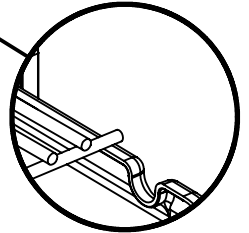
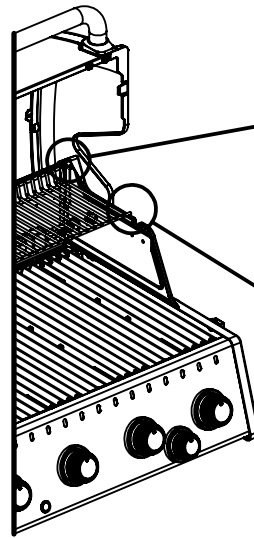
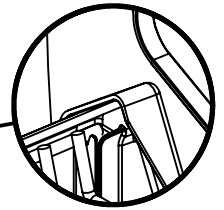
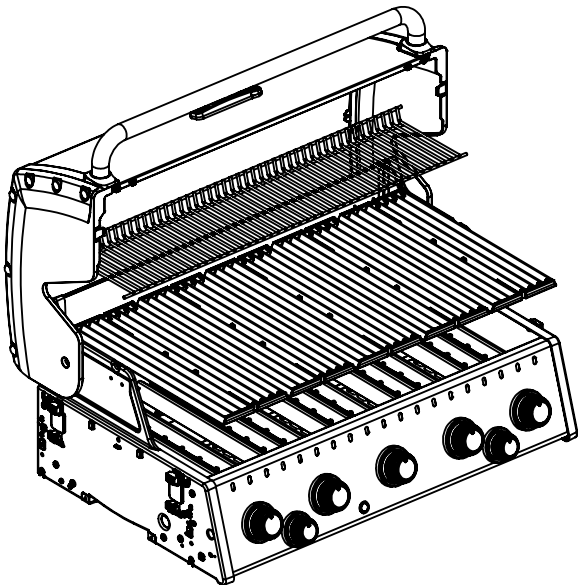
&&

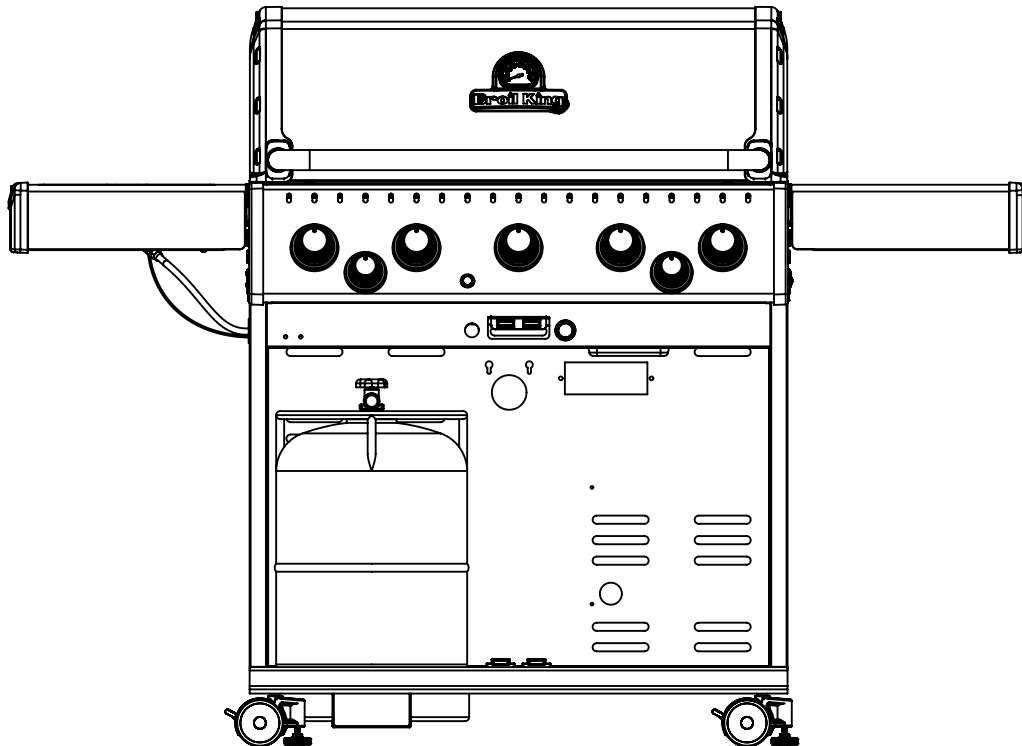
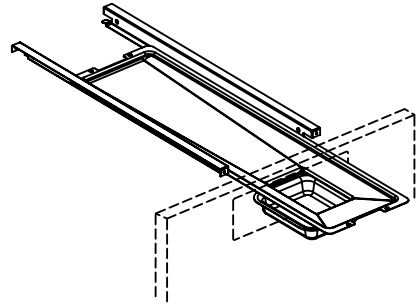
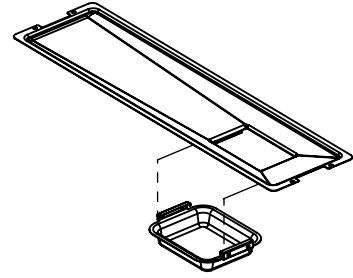
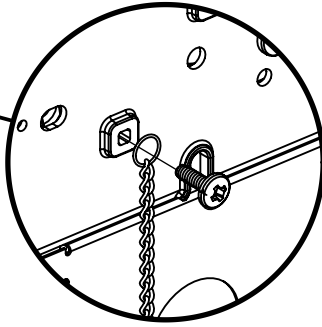
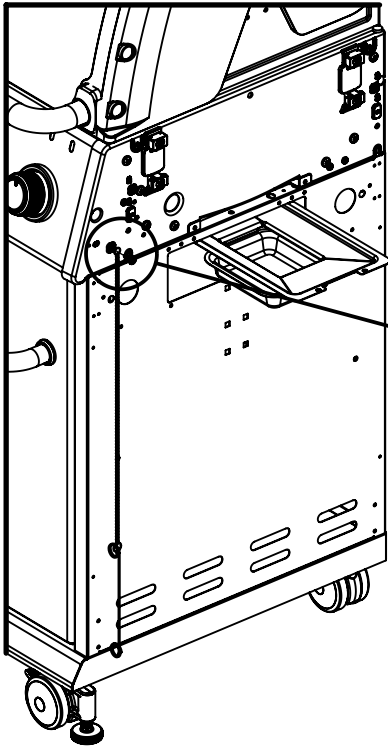
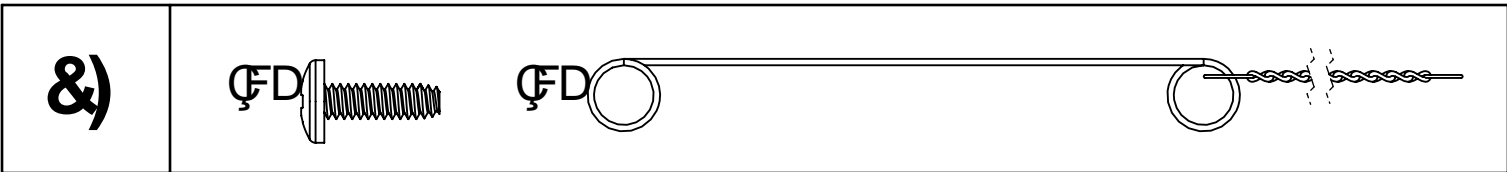


23

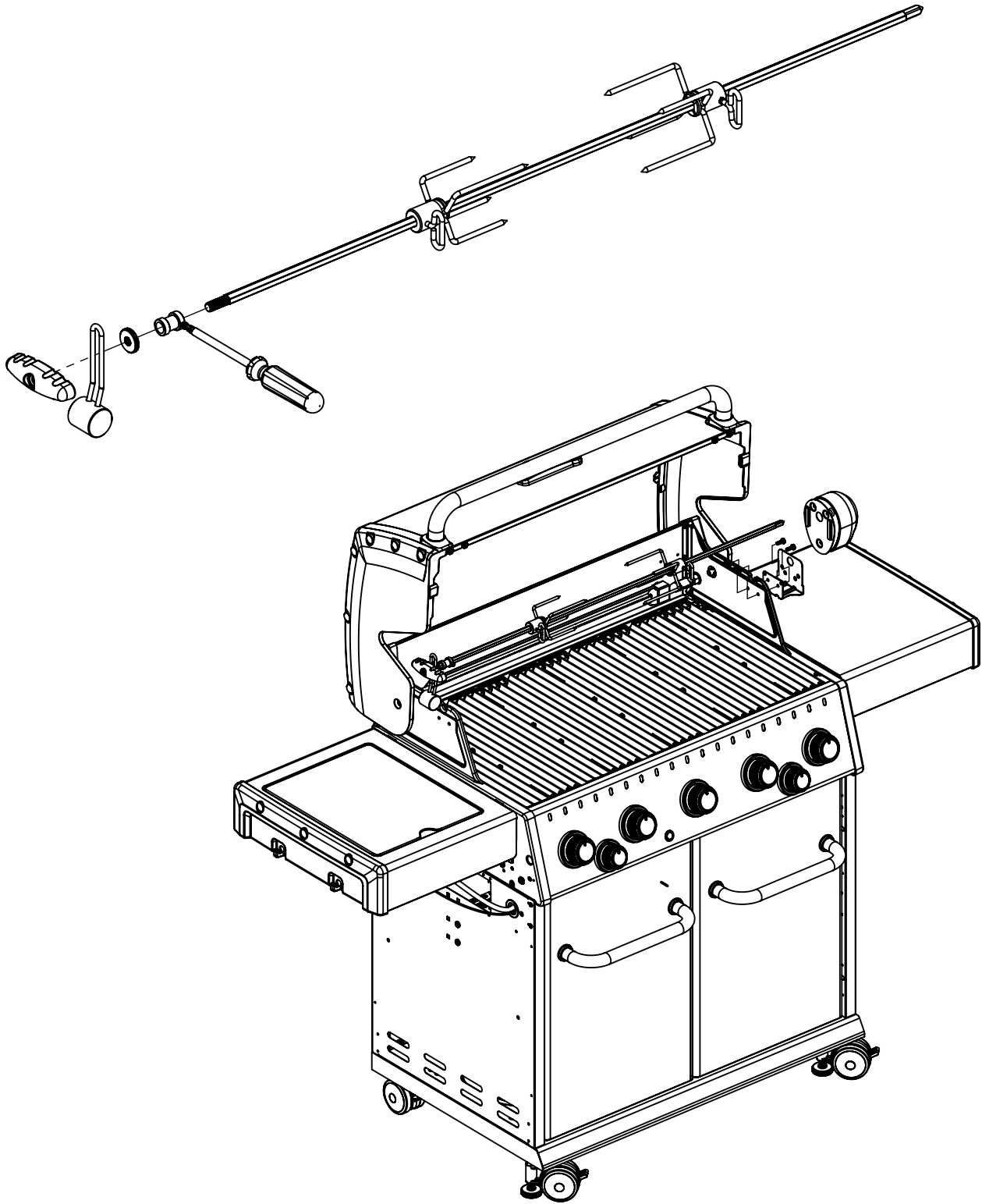
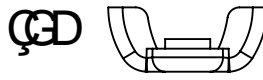
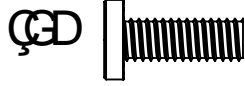


24





&+





<u>KEY #</u>	<u>ITEM #</u>	<u>DESCRIPTION</u>	<u>923582</u>	<u>923583</u>	<u>KEY #</u>	<u>ITEM #</u>	<u>DESCRIPTION</u>	<u>923582</u>	<u>923583</u>
1	66006-304	LID	1	1	82	53150-654	SIDE SHELF - SIDE BURNER	1	1
	66006-301		•	•	84	22009-901	GREASE PAN	1	1
5	10081-BK630	NAMEPLATE	1	1	85	23039-274	GREASE PAN - SUPPORT	2	2
6	10571-6	HEAT INDICATOR	1	1	86	20390-74	SIDE BURNER	1	1
7	24006-12A	HANDLE	1	1	87	23090-27	SIDE BURNER - BODY	1	1
8	54009-936	HANDLE BEZEL	2	2	88	23000-253	SIDE BURNER - COVER	1	1
10	52106-374	FIREBOX	1	1	89	23001-79	SIDE BURNER GRID	1	1
13	53139-988	SHELF BRACKET	4	4	92	10342-T21	SIDE BURNER ELECTRODE	1	1
15	22226-014A	COLLECTOR BOX	1	1	93	XXXXX	ELECTRODE	1	•
17	27249-904	GREASE SHEILD	5	5		XXXXX		•	1
25	52909-104D	BURNER - MAIN	5	•	94	10153-79	GAS FITTING	1	1
	52909-104E		•	5	95	10110-74	GAS TUBE	1	1
28	52026-304BAR	CONTROL COVER	1	1	96	20153-64	BURNER ADAPTOR	1	1
29	59006-072IR	CONTROL ASSEMBLY	1	•	97	10693-084	BURNER ORIFICE	1	•
	59006-073IR		•	1		10693-XX		•	1
30	S13473IR	HOSE - SIDE BURNER	1	•	98	10153-93	QUICK CONNECT FITTING	1	1
32	10111-15A	HOSE	1	1	100	Y-12220	GROMMET	1	1
33	27906-354	BURNER - ROTISSERIE	1	1	102	Y-12674	BEZEL ADAPTOR	1	1
34	S15508A	ELECTRODE	1	1	103	Y-12678	BEZEL STOP	1	1
35	50809-957	MANIFOLD - REAR BURNER	1	1	105	S21362	SPRING	1	1
36	Y-11990	NUT HEX	1	1	108	10693-099	REAR BURNER ORIFICE	1	•
38	22002-264	CONTROL BEZEL	5	5		10693-104		•	1
39	22001-164	CONTROL BEZEL	2	2	110	S15271	HANDLE	1	1
40	22001-768	CONTROL KNOB	5	5	111	S15270	BALANCE	1	1
41	22001-668	CONTROL KNOB	2	2	112	S15299	WASHER	1	1
42a	10342-45	ELECTRONIC IGNITOR	1	1	113	S15263	BUSHING	1	1
	10342-43		•	•	114	S15259	ROTISSERIE ROD	1	1
42b	25070-93	IGNITION BUTTON	1	1	115	S15259	4 PRONG FORK	2	2
42c	25070-92	IGNITION HARNESS	1	1	116	57039-901	ROTISSERIE BRACKET	1	1
43a	10342-E13	ELECTRODE	2	2	125	Y-12835	SCREW - #6 X 1/4	2	2
43b	10342-E22	ELECTRODE	1	1	127	S21125	SCREW - #8 X 3/8	8	8
44	52209-404	FLAV-R-WAVE ®	5	5	128	S21124	SCREW - #8 X 1/2	16	16
45a	52005-281	GRID	5	5	130	Y-12641	SCREW - SHOULDER #8 X 1/2	2	2
46	52006-991	GRID - WARMING RACK	1	1	131	S21137S	SCREW - #8-32 X 7/16	18	18
47	27056-901	GREASE TRAY	1	1	134	Y-29304	SCREW - #10-24 X 3/8	6	6
48	52009-901	GREASE PAN	1	1	135	S35094	SCREW - #10-24 X 5/8	1	1
49	21036-991	GREASE TRAY - RAIL	2	2	137	S35095	SCREW - #10-24 X 5/8	2	2
50	51276-234A	DOOR - LEFT HAND	1	1	140	Y-12865	SCREW - 1/4-20 X 1/2	16	16
	51276-231A		•	•	141	Y-12310	SCREW - 1/4-20 X 3/4	16	16
51	51276-214A	DOOR - RIGHT HAND	1	1	143	Y-11559	SCREW - 1/4-20 X 1	10	10
	51276-211A		•	•	151	Y-11793	NUT - 1/4-20	4	4
57	21106-13	DOOR HANDLE	2	2	154	S21061	WING NUT #10	2	2
58	21070-13	HANDLE BEZEL	4	4	160	Y-12857	WASHER	4	4
60	21109-905	CABINET - SIDE PANEL	2	2	169	Y-11230	RETAINER CLIP	1	1
61	21306-925	CABINET - REAR PANEL	1	1	170	S21235	HINGE PIN	2	2
65	51616-235	CABINET - LOWER BASE	1	1	171	S21233	CLIP	2	2
66	21039-301	TANK BRACKET	1	1	173	10240-20	DOOR HINGE PIN - TOP	2	2
67	51336-211	MAGNET BRACKET	1	1	175	Y-11551	DOOR SCREW	2	2
68	57139-13	CONNECTION BRACKET	4	4	176	Y-12124	DOOR HINGE COVER	2	2
73	51039-908	CASTER BRACKET	4	4	177	Y-12222	MAGNET	2	2
74	10892-286	CASTER	2	2	178	Y-12223	MAGNET - SNAP IN	2	2
75	10892-287	CASTER - LEVELING	2	2	180	SP25-11	LID BUMPER	2	2
77	25208-201	SHELF	1	1	181	Y-11231	LID BUMPER - ROUND	2	2
78	21036-901	SHELF SUPPORT	1	1	182	20005-000	MATCH LIGHT CHAIN	1	1
80	53150-614	SIDE SHELF	1	1	186	Y-11544S	BURNER SCREW	5	5
					187	S21242	CLIP	5	5

